

# Service Manual

iR2020/2016 Series

**Canon**



## Application

This manual has been issued by Canon Inc. for qualified persons to learn technical theory, installation, maintenance, and repair of products. This manual covers all localities where the products are sold. For this reason, there may be information in this manual that does not apply to your locality.

## Corrections

This manual may contain technical inaccuracies or typographical errors due to improvements or changes in products. When changes occur in applicable products or in the contents of this manual, Canon will release technical information as the need arises. In the event of major changes in the contents of this manual over a long or short period, Canon will issue a new edition of this manual.

The following paragraph does not apply to any countries where such provisions are inconsistent with local law.

## Trademarks

The product names and company names used in this manual are the registered trademarks of the individual companies.

## Copyright

This manual is copyrighted with all rights reserved. Under the copyright laws, this manual may not be copied, reproduced or translated into another language, in whole or in part, without the written consent of Canon Inc.

***COPYRIGHT © 2001 CANON INC.***

*Printed in Japan*

## Caution










Use of this manual should be strictly supervised to avoid disclosure of confidential information.

---

# Symbols Used

---



This documentation uses the following symbols to indicate special information:

Symbol	Description
	Indicates an item of a non-specific nature, possibly classified as Note, Caution, or Warning.
	Indicates an item requiring care to avoid electric shocks.
	Indicates an item requiring care to avoid combustion (fire).
	Indicates an item prohibiting disassembly to avoid electric shocks or problems.
	Indicates an item requiring disconnection of the power plug from the electric outlet.
 Memo	Indicates an item intended to provide notes assisting the understanding of the topic in question.
 REF.	Indicates an item of reference assisting the understanding of the topic in question.
	Provides a description of a service mode.
	Provides a description of the nature of an error indication.



The following rules apply throughout this Service Manual:

1. Each chapter contains sections explaining the purpose of specific functions and the relationship between electrical and mechanical systems with reference to the timing of operation.

In the diagrams,  represents the path of mechanical drive; where a signal name accompanies the symbol, the arrow  indicates the direction of the electric signal.

The expression "turn on the power" means flipping on the power switch, closing the front door, and closing the delivery unit door, which results in supplying the machine with power.

2. In the digital circuits, '1' is used to indicate that the voltage level of a given signal is "High", while '0' is used to indicate "Low". (The voltage value, however, differs from circuit to circuit.) In addition, the asterisk (\*) as in "DRMD\*" indicates that the DRMD signal goes on when '0'.

In practically all cases, the internal mechanisms of a microprocessor cannot be checked in the field. Therefore, the operations of the microprocessors used in the machines are not discussed: they are explained in terms of from sensors to the input of the DC controller PCB and from the output of the DC controller PCB to the loads.

The descriptions in this Service Manual are subject to change without notice for product improvement or other purposes, and major changes will be communicated in the form of Service Information bulletins.

All service persons are expected to have a good understanding of the contents of this Service Manual and all relevant Service Information bulletins and be able to identify and isolate faults in the machine."



# Contents

## Chapter 1 Introduction

1.1 System Construction .....	1- 1
1.1.1 Pickup/ Delivery /Original Handling Accessories System Configuration (iR2020/iR2020J) .....	1- 1
1.1.2 Pickup/ Delivery /Original Handling Accessories System Configuration (iR2016/iR2016J) .....	1- 2
1.1.3 Pickup/ Delivery /Original Handling Accessories System Configuration (iR2020i) .....	1- 3
1.1.4 Pickup/ Delivery /Original Handling Accessories System Configuration (iR2016i) .....	1- 4
1.1.5 Reader Heater/ Cassette Heater System Configuration (iR2020/iR2020J/iR2016/iR2016J) .....	1- 5
1.1.6 Reader Heater/ Cassette Heater System Configuration (iR2020i) .....	1- 6
1.1.7 Reader Heater/ Cassette Heater System Configuration (iR2016i) .....	1- 7
1.1.8 Printing/Transmitting Accessories System Configuration (iR2020J/iR2016J) .....	1- 8
1.1.9 Printing/Transmitting Accessories System Configuration (iR2020/iR2016) .....	1- 9
1.1.10 Printing/Transmitting Accessories System Configuration (iR2020i/iR2016i) .....	1- 10
1.1.11 Functions of the Printing/Transmission Functions (iR2020/iR2016) .....	1- 11
1.1.12 Functions of the Printing/Transmission Functions (iR2020i/iR2016i) .....	1- 12
1.2 Product Specifications .....	1- 13
1.2.1 Names of Parts .....	1- 13
1.2.1.1 External View (iR2020/iR2020J) .....	1- 13
1.2.1.2 External View (iR2020i) .....	1- 14
1.2.1.3 External View (iR2016/iR2016J) .....	1- 15
1.2.1.4 External View (iR2016i) .....	1- 16
1.2.1.5 Cross-Section .....	1- 16
1.2.2 Using the Machine .....	1- 18
1.2.2.1 Turning On the Power Switch (iR2020/iR2020J/iR2016/iR2016J) .....	1- 18
1.2.2.2 Turning On the Power Switch (iR2020i/iR2016i) .....	1- 19
1.2.2.3 When Turning Off the Main Power Switch (iR2020/iR2020J/iR2016/iR2016J) .....	1- 20
1.2.2.4 When Turning Off the Main Power Switch (iR2020i/iR2016i) .....	1- 21
1.2.2.5 Control Panel (iR2020/iR2020J/iR2016/iR2016J) .....	1- 22
1.2.2.6 Control Panel (iR2020i/iR2016i) .....	1- 23
1.2.3 User Mode Items .....	1- 23
1.2.3.1 Common Settings (iR2020/iR2020J/iR2016/iR2016J) .....	1- 23
1.2.3.2 Common Settings (iR2020i/iR2016i) .....	1- 24
1.2.3.3 Copy Settings (iR2020/iR2020J/iR2016/iR2016J) .....	1- 24
1.2.3.4 Timer Settings (iR2020i/iR2016i) .....	1- 25
1.2.3.5 FAX Settings (iR2020/iR2020J/iR2016/iR2016J) .....	1- 25
1.2.3.6 Adjustment/Cleaning (iR2020i/iR2016i) .....	1- 25
1.2.3.7 Address Book Set. (iR2020/iR2020J/iR2016/iR2016J) .....	1- 25
1.2.3.8 Report Settings (iR2020i/iR2016i) .....	1- 26
1.2.3.9 Printer Settings (iR2020/iR2020J/iR2016/iR2016J) .....	1- 26
1.2.3.10 System Settings (iR2020i/iR2016i) .....	1- 26
1.2.3.11 Timer Settings (iR2020/iR2020J/iR2016/iR2016J) .....	1- 27
1.2.3.12 Copy Settings (iR2020i/iR2016i) .....	1- 27
1.2.3.13 Report Settings (iR2020/iR2020J/iR2016/iR2016J) .....	1- 28
1.2.3.14 Communication Settings (iR2020i/iR2016i) .....	1- 28
1.2.3.15 Adjust./Cleaning (iR2020/iR2020J/iR2016/iR2016J) .....	1- 28
1.2.3.16 Printer Settings (iR2020i/iR2016i) .....	1- 29
1.2.3.17 System Settings (iR2020/iR2020J/iR2016/iR2016J) .....	1- 29
1.2.3.18 Address Book Settings (iR2020i/iR2016i) .....	1- 31
1.2.3.19 Recommended setting of system management information .....	1- 31
1.2.3.20 The Reference Information of the Department ID Management .....	1- 31
1.2.4 Maintenance by the User .....	1- 31
1.2.4.1 User Maintenance Items .....	1- 31
1.2.4.2 Cleaning (iR2020/iR2020J/iR2016/iR2016J) .....	1- 32
1.2.4.3 Cleaning (iR2020i/iR2016i) .....	1- 33
1.2.5 Safety .....	1- 34

1.2.5.1 Safety of the Laser Light .....	1- 34
1.2.5.2 CDRH Regulations .....	1- 34
1.2.5.3 Handling the Laser Unit (iR2020/iR2020J/iR2016/iR2016J) .....	1- 35
1.2.5.4 Handling the Laser Unit (iR2020i/iR2016i) .....	1- 35
1.2.5.5 Safety of Toner .....	1- 36
1.2.5.6 Point to Note about Fire .....	1- 36
1.2.5.7 Cautions as to the replacement and disposal of lithium battery .....	1- 36
1.2.6 Product Specifications .....	1- 37
1.2.6.1 Product Specifications .....	1- 37
1.2.7 Function List .....	1- 38
1.2.7.1 Printing Speed (iR2020/iR2020J) .....	1- 38
1.2.7.2 Printing Speed (iR2020i) .....	1- 39
1.2.7.3 Printing Speed (iR2016/iR2016J) .....	1- 40
1.2.7.4 Printing Speed (iR2016i) .....	1- 41
1.2.7.5 Types of Paper .....	1- 43

## Chapter 2 Installation

2.1 Making Pre-Checks .....	2- 1
2.1.1 Selecting the Site of Installation .....	2- 1
2.1.2 Before Starting the Work (230V EUR) .....	2- 1
2.1.3 Before Starting the Work (230V EUR) .....	2- 3
2.2 Unpacking and Installation .....	2- 5
2.2.1 Unpacking and Removing the Packaging Materials .....	2- 5
2.2.2 Unpacking and Removing the Packaging Materials .....	2- 5
2.2.3 Installing the Drum Unit .....	2- 5
2.2.4 Installing the Toner Bottle .....	2- 7
2.2.5 Installing the Toner Bottle .....	2- 7
2.2.6 Setting the Cassettes .....	2- 9
2.2.7 Attaching the Ferrite Core .....	2- 10
2.2.8 Attaching the Ferrite Core .....	2- 10
2.2.9 Checking the Image Quality .....	2- 10
2.2.10 Setting the Country/Region .....	2- 11
2.2.11 Setting the Country/Region .....	2- 11
2.2.12 Setting the Date and Time .....	2- 11
2.2.13 Setting the Date and Time .....	2- 12
2.2.14 Attaching Other Parts .....	2- 12
2.3 Checking the Connection to the Network .....	2- 12
2.3.1 Checking the Network Connection .....	2- 12
2.3.2 Checking the Network Connection .....	2- 14
2.4 Flow of Accessory Installation .....	2- 15
2.4.1 Flow of Accessory Installation .....	2- 15
2.4.2 Flow of Accessory Installation .....	2- 16
2.4.3 Flow of Accessory Installation .....	2- 17
2.5 Installing the Card Reader .....	2- 18
2.5.1 Points to Note .....	2- 18
2.5.2 Checking the Contents .....	2- 18
2.5.3 Installation Procedure .....	2- 19
2.5.4 Registering the Card IDs .....	2- 24
2.5.5 Registering the Card IDs .....	2- 25
2.6 Installing the Heater PCB .....	2- 26
2.6.1 Preparing the parts .....	2- 26
2.6.2 Preparing the Host Machine .....	2- 26
2.6.3 Installing the Heater PCB .....	2- 28
2.7 Installing the Reader Heater .....	2- 32
2.7.1 Preparing the parts .....	2- 32
2.7.2 Installing the Reader Heater Harness .....	2- 32

2.7.3 Removing Reader Components .....	2- 36
2.7.4 Removing Parts at the Left of the Reader .....	2- 37
2.7.5 Installing the Reader Heater .....	2- 39
2.8 Installing the Cassette Heater .....	2- 42
2.8.1 Preparing the parts .....	2- 42
2.8.2 Preparing the Host Machine .....	2- 42
2.8.3 Installing the Cassette Heater .....	2- 42
2.9 Installing the Control Card Cable .....	2- 45
2.9.1 Preparing the parts .....	2- 45
2.9.2 Installing the Control Card Cable .....	2- 45

## Chapter 3 Main Controller

3.1 Construction .....	3- 1
3.1.1 Construction and Mechanisms .....	3- 1
3.1.2 Construction and Mechanisms .....	3- 1
3.2 Construction of the Electrical Circuitry .....	3- 2
3.2.1 Image Processor PCB .....	3- 2
3.3 Image Processing .....	3- 3
3.3.1 Overview of the Image Flow .....	3- 3
3.3.2 Construction of the Image Processing Module .....	3- 3
3.3.3 Reader Unit Input Image Processing .....	3- 4
3.3.4 Compressio/ Extesion/ Editing Block .....	3- 4
3.3.5 Compressio/ Extesion/ Editing Block .....	3- 5
3.3.6 Printer unit Output Image Processing .....	3- 5
3.4 Flow of Image Data .....	3- 6
3.4.1 Flow of Image Data According to Copy Functions .....	3- 6
3.4.2 Flow of Image Data for the SEND Function .....	3- 6
3.4.3 Flow of Image Data for the Fax Transmission .....	3- 7
3.4.4 Flow of Image Data for the Fax Reception Function .....	3- 7
3.4.5 Flow of Image Data for the PDL Function .....	3- 8
3.5 Parts Replacement Procedure .....	3- 9
3.5.1 Main Controller PCB .....	3- 9
3.5.1.1 Removing the Rear Cover .....	3- 9
3.5.1.2 Removing the Left Cover (Rear) .....	3- 9
3.5.1.3 Removing the RAM Cover .....	3- 9
3.5.1.4 Removing the SDRAM .....	3- 9
3.5.1.5 Removing the LAN Cover .....	3- 9
3.5.1.6 Removing the IP Cover .....	3- 9
3.5.1.7 Removing the IP Cover .....	3- 10
3.5.1.8 Removing the image processor PCB .....	3- 11
3.5.1.9 Procedure after Replacing the Image Processor PCB (iR2020/iR2020J/iR2016/iR2016J) .....	3- 11
3.5.1.10 Procedure after Replacing the Image Processor PCB (iR2020i/iR2016i) .....	3- 11
3.5.2 SDRAM .....	3- 12
3.5.2.1 Removing the Rear Cover .....	3- 12
3.5.2.2 Removing the RAM Cover .....	3- 12
3.5.2.3 Removing the SDRAM .....	3- 12

## Chapter 4 Original Exposure System

4.1 Construction .....	4- 1
4.1.1 Specifications, Control Methods, and Functions (iR2020/iR2020J/iR2020i) .....	4- 1
4.1.2 Specifications, Control Methods, and Functions (iR2016/iR2016J/iR2016i) .....	4- 1
4.1.3 Major Components (iR2020/iR2020J/iR2020i) .....	4- 1
4.1.4 Major Components (iR2016/iR2016J/iR2016i) .....	4- 2
4.1.5 Control System Configuration (iR2020/iR2020J/iR2020i) .....	4- 3
4.1.6 Control System Configuration (iR2016/iR2016J/iR2016i) .....	4- 3

4.1.7 Reader Controller PCB (iR2020/iR2020J/iR2020i)	4- 4
4.1.8 Reader Controller PCB (iR2016/iR2016J/iR2016i)	4- 5
4.2 Basic Sequence	4- 5
4.2.1 Basic Sequence at Power-on	4- 5
4.2.2 Basic Sequence after Depression of Start Key (Book mode, One Sheet of original)	4- 6
4.2.3 Basic Sequence after Depression of Start Key (ADF Mode, One Sheet of Original)	4- 6
4.3 Various Control	4- 7
4.3.1 Controlling the Scanner Drive System	4- 7
4.3.1.1 Outline	4- 7
4.3.1.2 Reader Motor Control	4- 8
4.3.2 Contact Image Sensor (CIS)	4- 8
4.3.2.1 Outline	4- 8
4.3.2.2 Analog Control Performed by the CIS (iR2020/iR2020J/iR2016/iR2016J)	4- 9
4.3.2.3 Analog Control Performed by the CIS (iR2020i/iR2016i)	4- 10
4.3.3 Enlargement/Reduction	4- 10
4.3.3.1 Magnification Change in Vertical Scan Direction	4- 10
4.3.3.2 Magnification Change in Horizontal Scan Direction	4- 10
4.3.4 Detecting the Size of Originals	4- 10
4.3.4.1 Outline	4- 10
4.3.4.2 Outline of Original Size Detection	4- 11
4.3.5 Dirt Sensor Control	4- 12
4.3.5.1 Outline	4- 12
4.3.6 Image Processing	4- 14
4.3.6.1 Outline	4- 14
4.3.6.2 CMOS Sensor Drive	4- 15
4.3.6.3 CMOS Sensor Output Gain Correction and Offset Correction	4- 15
4.3.6.4 CMOS Sensor Output A/D Conversion	4- 15
4.3.6.5 Shading Correction (Outline)	4- 15
4.3.6.6 Shading Adjustment	4- 15
4.3.6.7 Shading Correction	4- 16
4.4 Parts Replacement Procedure	4- 17
4.4.1 Copyboard glass	4- 17
4.4.1.1 Removing the Copyboard glass	4- 17
4.4.1.2 Procedure after Replacing the Copyboard Glass (iR2020i/iR2016i)	4- 17
4.4.1.3 Removing the ADF Reading Glass	4- 17
4.4.2 Reader Controller PCB	4- 17
4.4.2.1 Removing the Rear Cover	4- 17
4.4.2.2 Removing the Right Cover (Lower)	4- 18
4.4.2.3 Removing the Right Cover (Upper)	4- 18
4.4.2.4 Removing the Left Cover (Rear)	4- 18
4.4.2.5 Removing the Reader Rear Cover	4- 18
4.4.2.6 Removing the Copyboard glass	4- 19
4.4.2.7 Removing the Reader Controller PCB	4- 19
4.4.3 Scanner Motor	4- 20
4.4.3.1 Removing the Rear Cover	4- 20
4.4.3.2 Removing the Right Cover (Lower)	4- 20
4.4.3.3 Removing the Right Cover (Upper)	4- 20
4.4.3.4 Removing the Left Cover (Rear)	4- 21
4.4.3.5 Removing the Reader Rear Cover	4- 21
4.4.3.6 Removing the Scanner Motor	4- 21
4.4.4 Contact sensor	4- 21
4.4.4.1 Removing the Rear Cover	4- 21
4.4.4.2 Removing the Right Cover (Lower)	4- 22
4.4.4.3 Removing the Right Cover (Upper)	4- 22
4.4.4.4 Removing the Left Cover (Rear)	4- 22
4.4.4.5 Removing the Reader Rear Cover	4- 22
4.4.4.6 Removing the Copyboard glass	4- 23
4.4.4.7 Removing the Contact Image Sensor (CIS)	4- 23
4.4.4.8 Procedure after Replacing the CIS (iR2020/iR2020J/iR2016/iR2016J)	4- 23
4.4.4.9 Procedure after Replacing the CIS (iR2020i/iR2016i)	4- 24

---

4.4.5 Copyboard Cover Open/Close Sensor .....	4- 24
4.4.5.1 Removing the Rear Cover .....	4- 24
4.4.5.2 Removing the Right Cover (Lower).....	4- 24
4.4.5.3 Removing the Right Cover (Upper).....	4- 24
4.4.5.4 Removing the Left Cover (Rear).....	4- 24
4.4.5.5 Removing the Reader Rear Cover.....	4- 24
4.4.5.6 Removing the Copyboard Cover Open/Close Sensor (Front/Rear).....	4- 25
4.4.6 Contact Sensor HP Sensor .....	4- 25
4.4.6.1 Removing the Copyboard glass.....	4- 25
4.4.6.2 Removing the ADF Reading Glass.....	4- 25
4.4.6.3 Removing the Contact Sensor HP Sensor.....	4- 26
4.4.7 Original Size Sensor .....	4- 26
4.4.7.1 Removing the Copyboard glass (iR2020/iR2020J/iR2020i).....	4- 26
4.4.7.2 Removing the Original Sensor (Vertical Scan Direction) (iR2020/iR2020J/iR2020i).....	4- 27
4.4.7.3 Removing the Original Sensor (Horizontal Scan Direction) (iR2020/iR2020J/iR2020i).....	4- 27
4.4.8 Reader Heater (option).....	4- 28
4.4.8.1 Removing the Copyboard glass.....	4- 28
4.4.8.2 Removing the Reader Heater (Right) .....	4- 28
4.4.8.3 Removing the Reader Front Cover.....	4- 29
4.4.8.4 Removing the ADF Reading Glass.....	4- 29
4.4.8.5 Removing the Reader Heater (Left).....	4- 29

## Chapter 5 Laser Exposure

5.1 Construction .....	5- 1
5.1.1 Overview.....	5- 1
5.1.2 Specifications and Control Mechanism .....	5- 1
5.1.3 Specifications and Control Mechanism .....	5- 1
5.1.4 Main Components .....	5- 1
5.1.5 Control System Configuration.....	5- 2
5.2 Various Controls .....	5- 3
5.2.1 Controlling the Laser Activation Timing .....	5- 3
5.2.1.1 Laser Emission ON/OFF Control .....	5- 3
5.2.1.2 Laser Emission ON/OFF Control .....	5- 3
5.2.1.3 Horizontal Synchronization Control.....	5- 4
5.2.1.4 Horizontal Synchronization Control.....	5- 4
5.2.2 Controlling the Intensity of Laser Light .....	5- 4
5.2.2.1 Automatic Photocurrent Control (APC).....	5- 4
5.2.3 Controlling the Laser Scanner Motor.....	5- 4
5.2.3.1 Laser Scanner Motor Control.....	5- 4
5.2.4 Controlling the Laser Shutter .....	5- 5
5.2.4.1 Laser Shutter Control.....	5- 5
5.3 Parts Replacement Procedure .....	5- 7
5.3.1 Laser Scanner Unit.....	5- 7
5.3.1.1 Removing the Rear Cover .....	5- 7
5.3.1.2 Removing the Right Cover (Lower).....	5- 7
5.3.1.3 Removing the Delivery Tray.....	5- 7
5.3.1.4 Removing the Laser Scanner Unit.....	5- 7

## Chapter 6 Image Formation

6.1 Construction .....	6- 1
6.1.1 Specifications of Image Formation System .....	6- 1
6.1.2 Major Components of Image Formation System .....	6- 1
6.2 Image Formation Process .....	6- 1
6.2.1 Image Formation Process .....	6- 1
6.3 Basic Sequence.....	6- 2
6.3.1 Basic Sequence of Operation.....	6- 2

6.4 Driving and Controlling the High-Voltage System .....	6- 3
6.4.1 Outline.....	6- 3
6.5 Drum Unit .....	6- 4
6.5.1 Outline of the Drum Unit .....	6- 4
6.5.1.1 Outline.....	6- 4
6.5.2 Charging Mechanism .....	6- 4
6.5.2.1 Primary Charging Bias Control .....	6- 4
6.6 Developing Unit .....	6- 5
6.6.1 Outline.....	6- 5
6.6.2 Developing Bias Control .....	6- 5
6.7 Toner Container .....	6- 6
6.7.1 Outline.....	6- 6
6.8 Transfer Unit.....	6- 6
6.8.1 Outline of the Transfer Unit.....	6- 6
6.8.1.1 Outline.....	6- 6
6.8.2 Controlling the Transfer Bias .....	6- 7
6.8.2.1 Transfer Roller Bias Control.....	6- 7
6.8.3 Separation Mechanism .....	6- 7
6.8.3.1 Static Eliminator Bias Control .....	6- 7
6.9 Photosensitive Drum Cleaning .....	6- 8
6.9.1 Outline.....	6- 8
6.9.2 Waste Toner Full Detection .....	6- 8
6.10 Parts Replacement Procedure .....	6- 9
6.10.1 Drum Unit.....	6- 9
6.10.1.1 Removing the Drum Unit.....	6- 9
6.10.2 Developing Assembly.....	6- 9
6.10.2.1 Removing the Drum Unit.....	6- 9
6.10.2.2 Removing the Rear Cover.....	6- 9
6.10.2.3 Removing the Right Cover (Lower).....	6- 9
6.10.2.4 Removing the Delivery Tray.....	6- 9
6.10.2.5 Removing the Developing Assembly .....	6- 9
6.10.2.6 Precautions about Installation of Developing Assembly .....	6- 10
6.10.2.7 Procedure after Replacing the Developing Assembly.....	6- 10
6.10.3 Transfer Charging Roller.....	6- 10
6.10.3.1 Removing the Transfer Charging Roller.....	6- 10

## Chapter 7 Pickup/Feeding System

7.1 Construction .....	7- 1
7.1.1 Specifications/Configuration/Operation Methods.....	7- 1
7.1.2 Locations of Main Units.....	7- 1
7.1.3 Roller Layout Drawing.....	7- 2
7.1.4 Paper Path Drawing(Printer on its own).....	7- 2
7.1.5 Paper Path Drawing(Finisher-U1).....	7- 3
7.1.6 Paper Path Drawing(Duplex Unit-A1/Finisher-U1).....	7- 3
7.1.7 Paper Path Drawing(Duplex-A1).....	7- 3
7.1.8 Paper Path Drawing(Duplex-A1/Inner 2Way Tray-E1) .....	7- 4
7.1.9 Paper Path Drawing(Inner 2Way Tray-E1) .....	7- 4
7.1.10 Sensor Layout Drawing.....	7- 5
7.2 Detecting Jams.....	7- 6
7.2.1 Delay Jams .....	7- 6
7.2.1.1 Delay Jam in Pickup Assembly.....	7- 6
7.2.1.2 Delay Jam in Delivery Assembly (Paper Leading Edge Jam at First Delivery Sensor/Wound Paper Jam at Fixing Assembly) 7-6	
7.2.2 Stationary Jams .....	7- 6
7.2.2.1 Stationary Jam in Pickup Assembly.....	7- 6
7.2.2.2 Stationary Jam in Delivery Assembly (Paper Trailing Edge Stationary Jam at First Delivery Sensor/Stationary Jam at First	



---

Delivery Sensor).....	7- 6
7.2.3 Other Jams .....	7- 6
7.2.3.1 Door Open Jam.....	7- 6
7.3 Cassette Pick-Up Unit .....	7- 6
7.3.1 Overview.....	7- 6
7.3.2 Cassette Pickup Operation.....	7- 7
7.3.3 Cassette Paper Size Detection.....	7- 8
7.4 Manual Feed Pickup Unit .....	7- 9
7.4.1 Overview.....	7- 9
7.4.2 Post-pickup Control after Multi Manual Feed Pickup.....	7- 9
7.5 Parts Replacement Procedure .....	7- 10
7.5.1 Pickup Roller .....	7- 10
7.5.1.1 Removing the Cassette Paper Pickup Roller.....	7- 10
7.5.2 Cassette Pickup Assembly .....	7- 10
7.5.2.1 Removing the Lower-left Cover .....	7- 10
7.5.2.2 Removing the Cassette Pickup Assembly .....	7- 10
7.5.3 Cassette Size Sensor .....	7- 10
7.5.3.1 Removing the Paper Size Detection Switches.....	7- 10
7.5.4 Cassette Retry Paper Sensor.....	7- 10
7.5.4.1 Removing the Lower-left Cover .....	7- 10
7.5.4.2 Removing the Cassette Pickup Assembly .....	7- 11
7.5.4.3 Removing the Retry Sensor.....	7- 11
7.5.5 Cassette Paper Sensor .....	7- 11
7.5.5.1 Removing the Lower-left Cover .....	7- 11
7.5.5.2 Removing the Cassette Pickup Assembly .....	7- 11
7.5.5.3 Removing the Cassette Paper Presence/Absence Sensor .....	7- 12
7.5.6 Cassette Pickup Solenoid.....	7- 12
7.5.6.1 Removing the Lower-left Cover .....	7- 12
7.5.6.2 Removing the Cassette Pickup Assembly .....	7- 12
7.5.6.3 Removing the Cassette Pickup Solenoid.....	7- 12
7.5.7 Manual Pickup Roller.....	7- 12
7.5.7.1 Removing the Drum Unit.....	7- 12
7.5.7.2 Removing the Transfer Registration Unit.....	7- 13
7.5.7.3 Removing the Feed Guide .....	7- 13
7.5.7.4 Removing the Multifeder Pickup Roller.....	7- 13
7.5.8 Manual Feed Tray paper sensor .....	7- 13
7.5.8.1 Removing the Drum Unit.....	7- 13
7.5.8.2 Removing the Transfer Registration Unit.....	7- 13
7.5.8.3 Removing the Feed Guide .....	7- 14
7.5.8.4 Removing the Multifeder Paper Presence/Absence Sensor.....	7- 14
7.5.9 Manual Feed Pickup Solenoid.....	7- 14
7.5.9.1 Removing the Drum Unit.....	7- 14
7.5.9.2 Removing the Transfer Registration Unit.....	7- 14
7.5.9.3 Removing the Feed Guide .....	7- 14
7.5.9.4 Removing the Multifeder Connector Cover .....	7- 14
7.5.9.5 Removing the Multifeder Unit.....	7- 15
7.5.9.6 Removing the Multifeder Pickup Solenoid .....	7- 15
7.5.10 Registration Roller .....	7- 15
7.5.10.1 Removing the Drum Unit.....	7- 15
7.5.10.2 Removing the Registration Roller .....	7- 15
7.5.11 Registration Clutch .....	7- 15
7.5.11.1 Removing the Rear Cover.....	7- 15
7.5.11.2 Removing the Registration Clutch.....	7- 16
7.5.12 Separation Roller.....	7- 16
7.5.12.1 Removing the Feed and Separation Rollers .....	7- 16
7.5.13 Separation Pad .....	7- 16
7.5.13.1 Removing the Drum Unit.....	7- 16
7.5.13.2 Removing the Transfer Registration Unit.....	7- 16
7.5.13.3 Removing the Feed Guide .....	7- 16

7.5.13.4 Removing the Multifeeder Pickup Roller .....	7- 16
7.5.13.5 Removing the Separation Pad .....	7- 17

Chapter 8 Fixing System

8.1 Construction .....	8- 1
8.1.1 Specifications, Control Mechanisms, and Functions .....	8- 1
8.1.2 Major Components.....	8- 2
8.2 Various Control Mechanisms .....	8- 3
8.2.1 Controlling the Speed of the Fixing Film .....	8- 3
8.2.1.1 Controlling the Fixing Film Speed .....	8- 3
8.2.2 Controlling the Fixing Film Temperature.....	8- 3
8.2.2.1 Outline.....	8- 3
8.2.2.2 Controlling the Fixing Film Temperature.....	8- 3
8.2.2.3 Target Temperatures by Mode .....	8- 4
8.2.3 Detecting the Passage of Paper .....	8- 4
8.2.3.1 Detecting the Passage of Paper .....	8- 4
8.3 Protective Functions.....	8- 5
8.3.1 Protective Functions .....	8- 5
8.4 Parts Replacement Procedure .....	8- 7
8.4.1 Fixing Unit.....	8- 7
8.4.1.1 Removing the Drum Unit.....	8- 7
8.4.1.2 Removing the rear cover.....	8- 7
8.4.1.3 Removing the Left Cover (Rear).....	8- 7
8.4.1.4 Removing the Left Door .....	8- 7
8.4.1.5 Removing the Fixing Unit.....	8- 8
8.4.2 Pressure Roller .....	8- 9
8.4.2.1 Removing the Drum Unit.....	8- 9
8.4.2.2 Removing the rear cover.....	8- 9
8.4.2.3 Removing the Left Cover (Rear).....	8- 9
8.4.2.4 Removing the Left Door .....	8- 9
8.4.2.5 Removing the Fixing Unit.....	8- 10
8.4.2.6 Removing the Fixing Film Unit.....	8- 10
8.4.2.7 Removing the Pressure Roller .....	8- 12
8.4.3 Fixing Film.....	8- 13
8.4.3.1 Removing the Drum Unit.....	8- 13
8.4.3.2 Removing the rear cover.....	8- 13
8.4.3.3 Removing the Left Cover (Rear).....	8- 13
8.4.3.4 Removing the Left Door .....	8- 13
8.4.3.5 Removing the Fixing Unit.....	8- 14
8.4.3.6 Removing the Fixing Film Unit.....	8- 15
8.4.4 Fixing Delivery Sensor .....	8- 17
8.4.4.1 Removing the Drum Unit.....	8- 17
8.4.4.2 Removing the Rear Cover .....	8- 17
8.4.4.3 Removing the Left Cover (Rear).....	8- 17
8.4.4.4 Removing the Left Door .....	8- 17
8.4.4.5 Removing the Fixing Unit.....	8- 18
8.4.4.6 Removing the Fixing Delivery Sensor.....	8- 18
8.4.5 Fixing Film Sensor .....	8- 19
8.4.5.1 Removing the Drum Unit.....	8- 19
8.4.5.2 Removing the Rear Cover .....	8- 19
8.4.5.3 Removing the Left Cover (Rear).....	8- 20
8.4.5.4 Removing the Left Door .....	8- 20
8.4.5.5 Removing the Fixing Unit.....	8- 20
8.4.5.6 Removing the Fixing Film Sensor.....	8- 21

Chapter 9 External and Controls

9.1 Control Panel.....	9- 1
------------------------	------

---

9.1.1 Overview (iR2020/iR2020J/iR2016/iR2016J)	9- 1
9.1.2 Overview (iR2020i/iR2016i)	9- 1
9.2 Fans	9- 1
9.2.1 Overview (iR2020/iR2020J/iR2016/iR2016J)	9- 1
9.2.2 Overview (iR2020i/iR2016i)	9- 2
9.2.3 Fan Control	9- 2
9.3 Power Supply System	9- 3
9.3.1 Power Supply	9- 3
9.3.1.1 Outline (iR2020/iR2020J/iR2016/iR2016J)	9- 3
9.3.1.2 Outline (iR2020i/iR2016i)	9- 3
9.3.1.3 Rated Output of the Power Supply PCB	9- 4
9.3.2 Protection Function	9- 4
9.3.2.1 Protective Mechanisms	9- 4
9.4 Parts Replacement Procedure	9- 5
9.4.1 Main Drive Assembly	9- 5
9.4.1.1 Removing the Drum Unit	9- 5
9.4.1.2 Removing the Rear Cover	9- 5
9.4.1.3 Removing the Left Cover (Rear)	9- 5
9.4.1.4 Removing the Main Motor	9- 5
9.4.1.5 Removing the Registration Clutch	9- 5
9.4.1.6 Removing the Main Drive Unit	9- 5
9.4.2 Fixing Drive Assembly	9- 6
9.4.2.1 Removing the Drum Unit	9- 6
9.4.2.2 Removing the Rear Cover	9- 7
9.4.2.3 Removing the Left Cover (Rear)	9- 7
9.4.2.4 Removing the Left Door	9- 7
9.4.2.5 Removing the Fixing Unit	9- 8
9.4.2.6 Removing the SDRAM	9- 8
9.4.2.7 Removing the SDRAM	9- 8
9.4.2.8 Removing the LAN Cover	9- 9
9.4.2.9 Removing the IP Cover	9- 9
9.4.2.10 Removing the IP Cover	9- 10
9.4.2.11 Removing the Image Processor PCB Mount	9- 10
9.4.2.12 Removing the Fixing Drive Unit	9- 11
9.4.3 Power Supply Unit	9- 12
9.4.3.1 Removing the Rear Cover	9- 12
9.4.3.2 Removing the Right Cover (Lower)	9- 12
9.4.3.3 Removing the Delivery Tray	9- 12
9.4.3.4 Removing the Main Power Supply PCB	9- 12
9.4.4 Control Panel	9- 12
9.4.4.1 Removing the Reader Front Cover	9- 12
9.4.4.2 Removing the Operation Panel Unit (iR2020/iR2020J/iR2016/iR2016J)	9- 13
9.4.4.3 Removing the Operation Panel Unit (iR2020i/iR2016i)	9- 13
9.4.5 DC Controller PCB	9- 13
9.4.5.1 Removing the Rear Cover	9- 13
9.4.5.2 Removing the DC Controller PCB	9- 13
9.4.6 Option Power Supply PCB	9- 14
9.4.6.1 Removing the Rear Cover	9- 14
9.4.6.2 Removing the Right Cover (Lower)	9- 14
9.4.6.3 Removing the Delivery Tray	9- 14
9.4.6.4 Removing the Option Power Supply PCB	9- 14
9.4.7 HVT PCB	9- 14
9.4.7.1 Removing the Rear Cover	9- 14
9.4.7.2 Removing the Right Cover (Lower)	9- 15
9.4.7.3 Removing the Delivery Tray	9- 15
9.4.7.4 Removing the Main Power Supply PCB	9- 15
9.4.7.5 Removing the HVT PCB	9- 15
9.4.8 Fixing Heat Discharge Fan	9- 15
9.4.8.1 Removing the Fixing Heat Discharge Fan	9- 15

9.4.9 Fan Filter .....	9- 16
9.4.9.1 Removing the Fan Filter.....	9- 16
9.4.10 Motor of Main Drive Assembly .....	9- 17
9.4.10.1 Removing the Rear Cover.....	9- 17
9.4.10.2 Removing the Main Motor .....	9- 17
9.4.11 Fixing Driver Motor.....	9- 17
9.4.11.1 Removing the Rear Cover.....	9- 17
9.4.11.2 Removing the Left Cover (Rear) .....	9- 17
9.4.11.3 Removing the RAM Cover .....	9- 17
9.4.11.4 Removing the SDRAM.....	9- 18
9.4.11.5 Removing the LAN Cover .....	9- 18
9.4.11.6 Removing the IP Cover .....	9- 18
9.4.11.7 Removing the IP Cover .....	9- 19
9.4.11.8 Removing the Image Processor PCB Mount .....	9- 19
9.4.11.9 Removing the Fixing Unit Drive Motor .....	9- 20
9.4.12 Left Door .....	9- 20
9.4.12.1 Removing the Drum Unit.....	9- 20
9.4.12.2 Removing the Rear Cover.....	9- 21
9.4.12.3 Removing the Left Cover (Rear) .....	9- 21
9.4.12.4 Removing the Left Door .....	9- 21
<b>Chapter 10 Maintenance and Inspection</b>	
10.1 Periodically Replaced Parts.....	10- 1
10.1.1 Overview .....	10- 1
10.1.2 Reader Unit.....	10- 1
10.1.3 Printer Unit .....	10- 1
10.2 Durables and Consumables .....	10- 1
10.2.1 Overview .....	10- 1
10.2.2 Reader Unit.....	10- 1
10.2.3 Printer Unit .....	10- 1
10.3 Scheduled Servicing Basic Procedure .....	10- 2
10.3.1 Scheduled Servicing .....	10- 2
<b>Chapter 11 Standards and Adjustments</b>	
11.1 Scanning System.....	11- 1
11.1.1 Procedure after Replacing the CIS (iR2020/iR2020J/iR2016/iR2016J).....	11- 1
11.1.2 Procedure after Replacing the CIS (iR2020i/iR2016i).....	11- 1
11.1.3 Procedure after Replacing the Copyboard Glass (iR2020i/iR2016i).....	11- 1
11.2 Image Formation System .....	11- 1
11.2.1 Procedure after Replacing the Developing Assembly.....	11- 1
11.3 Electrical Components.....	11- 1
11.3.1 Procedure after Replacing the Image Processor PCB (iR2020/iR2020J/iR2016/iR2016J) .....	11- 1
11.3.2 Procedure after Replacing the Image Processor PCB (iR2020i/iR2016i) .....	11- 1
11.3.3 Procedure after Replacing the USB Memory (iR2020i/iR2016i) .....	11- 2
11.3.4 Actions to Take before All Clearing (Backing up the User Data) .....	11- 2
<b>Chapter 12 Correcting Faulty Images</b>	
12.1 Making Initial Checks.....	12- 1
12.1.1 Site Environment.....	12- 1
12.1.2 Checking the Paper.....	12- 1
12.1.3 Checking the Placement of Paper.....	12- 1
12.1.4 Checking the Durables.....	12- 1
12.1.5 Checking the Units and Functional Systems.....	12- 1
12.1.6 Others .....	12- 2

12.2 Outline of Electrical Components.....	12- 2
12.2.1 Clutch/Solenoid.....	12- 2
12.2.1.1 List of Clutches/Solenoids .....	12- 2
12.2.2 Motor.....	12- 2
12.2.2.1 List of Motors.....	12- 2
12.2.3 Fan.....	12- 3
12.2.3.1 List of Fans.....	12- 3
12.2.4 Sensor .....	12- 4
12.2.4.1 List of Sensors .....	12- 4
12.2.5 Switch .....	12- 6
12.2.5.1 List of Switches .....	12- 6
12.2.6 Lamps, Heaters, and Others.....	12- 6
12.2.6.1 List of Lamps, Heaters, and Others .....	12- 6
12.2.7 PCBs.....	12- 8
12.2.7.1 List of PCBs .....	12- 8

## Chapter 13 Self Diagnosis

13.1 Error Code Table .....	13- 1
13.1.1 List of Error Codes.....	13- 1
13.2 Error Code Details .....	13- 1
13.2.1 Error Code Details .....	13- 1
13.3 Jam Code .....	13- 3
13.3.1 Jam Codes (Related to Printer Unit).....	13- 3
13.3.2 Jam Codes (Related to Finisher).....	13- 3
13.3.3 Jam Codes (Related to ADF).....	13- 4
13.3.4 Jam Codes (Related to Duplex Unit) .....	13- 4
13.3.5 Jam Codes (Related to Inner 2-way Tray).....	13- 4
13.4 Finisher Error Codes.....	13- 4
13.4.1 Error Code Details .....	13- 4
13.5 FAX Error Codes .....	13- 8
13.5.1 Outline .....	13- 8
13.5.1.1 Error Code Outline .....	13- 8
13.5.2 User Error Code.....	13- 8
13.5.2.1 User Error Code.....	13- 8
13.5.3 Service Error Code .....	13- 8
13.5.3.1 Service Error Code.....	13- 8

## Chapter 14 Service Mode

14.1 Outline .....	14- 1
14.1.1 Outline of Service Mode (iR2020/iR2020J/iR2016/iR2016J).....	14- 1
14.1.2 Outline of Service Mode (iR2020i/iR2016i).....	14- 1
14.1.3 Using the Mode (iR2020/iR2020J/iR2016/iR2016J).....	14- 2
14.1.4 Using the Mode (iR2020i/iR2016i).....	14- 2
14.2 Default settings .....	14- 3
14.2.1 Service Mode Menus .....	14- 3
14.3 Setting of Bit Switch (SSSW).....	14- 8
14.3.1 Outline .....	14- 8
14.3.1.1 Bit Switch Composition .....	14- 8
14.3.2 SSSW-SW01 .....	14- 8
14.3.2.1 List of Functions .....	14- 8
14.3.2.2 Detailed Discussions of Bit 0.....	14- 8
14.3.3 SSSW-SW03 .....	14- 8
14.3.3.1 List of Functions .....	14- 8
14.3.3.2 Detailed Discussions of Bit 7.....	14- 9
14.3.4 SSSW-SW04 .....	14- 9

14.3.4.1 List of Functions .....	14- 9
14.3.4.2 Detailed Discussions of Bit 2.....	14- 9
14.3.4.3 Detailed Discussions of Bit 3.....	14- 9
14.3.4.4 Detailed Discussions of Bit 4.....	14- 9
14.3.4.5 Detailed Discussions of Bit 6.....	14- 9
14.3.4.6 Detailed Discussions of Bit 7.....	14- 9
14.3.5 SSSW-SW05.....	14- 10
14.3.5.1 List of Functions .....	14- 10
14.3.5.2 Detailed Discussions of Bit 1.....	14- 10
14.3.5.3 Detailed Discussions of Bit 2.....	14- 10
14.3.6 SSSW-SW12.....	14- 10
14.3.6.1 List of Functions .....	14- 10
14.3.7 SSSW-SW13.....	14- 11
14.3.7.1 List of Functions .....	14- 11
14.3.7.2 Detailed Discussions of Bit 2.....	14- 11
14.3.8 SSSW-SW14.....	14- 11
14.3.8.1 List of Functions .....	14- 11
14.3.8.2 Detailed Discussions of Bit 2.....	14- 11
14.3.8.3 Detailed Discussions of Bit 4.....	14- 11
14.3.9 SSSW-SW28.....	14- 11
14.3.9.1 List of Functions .....	14- 11
14.3.9.2 Detailed Discussions of Bit 0.....	14- 11
14.3.9.3 Detailed Discussions of Bit 1.....	14- 11
14.3.9.4 Detailed Discussions of Bit 2.....	14- 12
14.3.9.5 Detailed Discussions of Bit 3.....	14- 12
14.3.9.6 Detailed Discussions of Bit 4.....	14- 12
14.3.9.7 Detailed Discussions of Bit 5.....	14- 12
14.3.10 SSSW-SW30.....	14- 12
14.3.10.1 List of Functions .....	14- 12
14.3.10.2 Detailed Discussions of Bit 5.....	14- 12
14.3.11 SSSW-SW33.....	14- 12
14.3.11.1 List of Functions .....	14- 12
14.3.11.2 Detailed Discussions of Bit 0.....	14- 12
14.3.11.3 Detailed Discussions of Bit 1.....	14- 12
14.3.11.4 Detailed Discussions of Bit 2.....	14- 13
14.3.11.5 Detailed Discussions of Bit 3.....	14- 13
14.3.12 SSSW-SW34.....	14- 13
14.3.12.1 List of Functions .....	14- 13
14.3.12.2 Detailed Discussions of Bit 0.....	14- 13
14.3.12.3 Detailed Discussions of Bit 1.....	14- 13
14.4 Setting of Menu Switch (Menu) .....	14- 13
14.4.1 Menu Switch Composition.....	14- 13
14.4.2 <No.005 NL equalizer> .....	14- 13
14.4.3 <No.006 telephone line monitor> .....	14- 14
14.4.4 <No.007 ATT transmission level> .....	14- 14
14.4.5 <No.008 V.34 modulation speed upper limit> .....	14- 14
14.4.6 <No.009 V.34 data speed upper limit>.....	14- 14
14.4.7 <No.010 Frequency of the pseudo CI signal>.....	14- 14
14.5 Setting of Numeric Parameter (NUMERIC Param.).....	14- 14
14.5.1 Numerical Parameter Composition .....	14- 14
14.5.2 <002: RTN transmission condition (1)><003: RTN transmission condition (2)><004: RTN transmission condition (3)> 14- 15	
14.5.3 <005: NCC pause length (pre-ID code)> .....	14- 15
14.5.4 <006: NCC pause length (post-ID code)>.....	14- 15
14.5.5 <010: line connection identification length> .....	14- 15
14.5.6 <011: T.30 T1 timer (for reception)> .....	14- 15
14.5.7 <013: T.30 EOL timer>.....	14- 15
14.5.8 <016: time length to first response at time of fax/tel switchover> .....	14- 15
14.5.9 <017: pseudo RBT signal pattern ON time length><018: pseudo RBT signal pattern OFF time length (short)><019:	

pseudo RBT signal pattern OFF time length (long)> .....	14- 15
14.5.10 <020: pseudo CI signal pattern ON time length><021: pseudo CI signal pattern OFF time length (short)><022: pseudo CI signal pattern OFF time length (long)> .....	14- 15
14.5.11 <023: CNG detention level for fax/tel switchover> .....	14- 15
14.5.12 <024: pseudo RBT transmission level at time of fax/tel switchover> .....	14- 16
14.5.13 <025: Answering machine connection function signal detection time> .....	14- 16
14.5.14 <027: V.21 low-speed flag preamble identification length> .....	14- 16
14.5.15 <056 - 061: Count type select > .....	14- 16
14.6 Setting of Scanner Functions (SCANNER).....	14- 19
14.6.1 Setting of Bit Switch.....	14- 19
14.6.2 Numeric Parameter Functional configuration .....	14- 19
14.6.3 <024:CIS scan position during ADF scanning> .....	14- 20
14.6.4 <026:Distance from the standby position of CIS to the shading start point> .....	14- 20
14.6.5 <031Vertical scan start position adjustment> .....	14- 20
14.6.6 <032Horizontal scan start position adjustment> .....	14- 20
14.6.7 <033Vertical scan magnification correction> .....	14- 20
14.6.8 <035: - 036:Reader motor speed change> .....	14- 20
14.6.9 <041: Vertical scan start position adjustment (when scanning on a document fed from ADF)> .....	14- 20
14.6.10 <042: Horizontal scan start position adjustment (when scanning on a document fed from ADF)> .....	14- 21
14.6.11 <043: Horizontal scan end position correction ((copy:scanning on ADF)> .....	14- 21
14.6.12 <044: Horizontal scan end position correction (superfine:scanning on ADF)> .....	14- 21
14.6.13 <045: Horizontal scan end position correction (fine:scanning on ADF)> .....	14- 21
14.6.14 <046: Horizontal scan end position correction (standard:scanning on ADF)> .....	14- 21
14.6.15 <047: Vertical scan magnification correction (when scanning on a document fed from ADF)>.....	14- 21
14.6.16 <048: Horizontal scan magnification correction (when scanning on a document fed from ADF)> .....	14- 21
14.6.17 <054: Pickup motor speed correction (when the ADF is used) >.....	14- 21
14.6.18 <193: ADF special standard-sized paper: LGL misidentification-ready> .....	14- 21
14.6.19 <194: ADF special standard-sized paper: LTR misidentification-ready> .....	14- 21
14.6.20 <195: ADF special standard-sized paper: LTR_R misidentification-ready> .....	14- 21
14.6.21 <196: Shading Target Value (Red)> .....	14- 22
14.6.22 <197: Shading Target Value (Green)>.....	14- 22
14.6.23 <198: Shading Target Value (Blue)> .....	14- 22
14.6.24 <213: XYZ correction value (X) of standard white plate> (iR2020i/iR2016i).....	14- 22
14.6.25 <214: XYZ correction value (Y) of standard white plate> (iR2020i/iR2016i).....	14- 22
14.6.26 <215: XYZ correction value (Z) of standard white plate> (iR2020i/iR2016i).....	14- 22
14.7 Setting of Printer Functions (PRINTER) .....	14- 22
14.7.1 Service Soft Switch Settings (PRINTER).....	14- 22
14.7.1.1 SSSW-SW05.....	14- 22
14.7.1.2 SSSW-SW14.....	14- 23
14.7.1.3 SSSW-SW15.....	14- 24
14.7.2 Numerin Parameter Settings (Numeric Prama.) .....	14- 24
14.7.2.1 List of Functions .....	14- 24
14.7.2.2 <031: Top registration adjustment (manual feed tray)> .....	14- 25
14.7.2.3 <032: Top registration adjustment (cassette)>.....	14- 25
14.7.2.4 <033: Top registration adjustment (duplex unit)>.....	14- 25
14.7.2.5 <034: Left-end registration adjustment (manual feed tray)> .....	14- 25
14.7.2.6 <035: Left-end registration adjustment (cassette 1)>.....	14- 25
14.7.2.7 <036: Left-end registration adjustment (cassette 2)>.....	14- 25
14.7.2.8 <037: Left-end registration adjustment (cassette 3)>.....	14- 25
14.7.2.9 <038: Left-end registration adjustment (cassette 4)>.....	14- 25
14.7.2.10 <039: Left-end registration adjustment (duplex unit)> .....	14- 25
14.7.2.11 <040: Target fixing temperature adjustment (manual feed tray)> .....	14- 25
14.7.2.12 <041: Target fixing temperature adjustment (cassette 1)>.....	14- 25
14.7.2.13 <042: Target fixing temperature adjustment (cassette 2)>.....	14- 25
14.7.2.14 <043: Target fixing temperature adjustment (cassette 3)>.....	14- 25
14.7.2.15 <044: Target fixing temperature adjustment (cassette 4)>.....	14- 26
14.7.2.16 <045: Fixing film speed change (manual feed tray)> .....	14- 26
14.7.2.17 <046: Fixing film speed change (cassette)>.....	14- 26

14.7.3 Setting of Cassette (CST) .....	14- 26
14.7.3.1 Special Standard-sized Paper Compatibility .....	14- 26
14.8 Setting of System Functions (SYSTEM).....	14- 26
14.8.1 Bit Switch Settings .....	14- 26
14.9 Registration of Accessories (ACC) .....	14- 26
14.9.1 Accessory Registration .....	14- 26
14.10 Display of Counter Information (COUNTER).....	14- 27
14.10.1 Counters.....	14- 27
14.10.2 Clearing Counters .....	14- 27
14.11 Service Report (REPORT).....	14- 28
14.11.1 Report Output.....	14- 28
14.11.2 System Data List .....	14- 28
14.11.3 System Dump List .....	14- 28
14.11.4 Counter List.....	14- 30
14.11.5 Error Log List.....	14- 30
14.11.6 Spec List.....	14- 32
14.11.7 Service Label.....	14- 33
14.12 Download (DOWNLOAD) .....	14- 34
14.12.1 Download .....	14- 34
14.13 Initialization of Set Value (CLEAR) .....	14- 34
14.13.1 Clear.....	14- 34
14.14 Display of ROM Information (ROM).....	14- 35
14.14.1 ROM display.....	14- 35
14.15 Test Mode (TEST) .....	14- 35
14.15.1 Outline .....	14- 35
14.15.2 Test Mode Menu List (iR2020/iR2020J/iR2016/iR2016J) .....	14- 35
14.15.3 Test Mode Menu List (iR2020i/iR2016i) .....	14- 37
14.15.4 D-RAM Test<(1) D-RAM TEST> .....	14- 39
14.15.5 Scan Test ((2) SCAN TEST) .....	14- 39
14.15.6 Print Test ((3) PRINT TEST) .....	14- 40
14.15.7 MODEM Test ((4) MODEM TEST).....	14- 40
14.15.8 Function Test ((6) FUNCTION TEST) (iR2020/iR2020J) .....	14- 42
14.15.9 Function Test ((6) FUNCTION TEST) (iR2016/iR2016J) .....	14- 46
14.15.10 Function Test ((6) FUNCTION TEST) (iR2020i).....	14- 50
14.15.11 Function Test ((6) FUNCTION TEST) (iR2016i).....	14- 53
14.15.12 Roller cleaning mode ((0) ROLLER CLEAN).....	14- 56

## Chapter 15 Upgrading

15.1 Outline .....	15- 1
15.1.1 Overview of Upgrade .....	15- 1
15.1.2 Overview of Upgrade .....	15- 1
15.1.3 Overview of Service Support Tool.....	15- 1
15.1.4 Overview of Service Support Tool.....	15- 1
15.2 Making Preparations.....	15- 2
15.2.1 Registering the System Software.....	15- 2
15.2.2 Registering the System Software.....	15- 4
15.2.3 Connection .....	15- 6
15.3 Downloading System Software.....	15- 7
15.3.1 Downloading System .....	15- 7
15.3.1.1 Downloading Procedure.....	15- 7
15.3.1.2 Downloading Procedure.....	15- 12
15.3.2 Downloading RUI, and Language .....	15- 18
15.3.2.1 Downloading Procedure.....	15- 18
15.3.3 Downloading BOOT .....	15- 18
15.3.3.1 Downloading Procedure.....	15- 18



15.3.4 Other Upgrade Methods .....	15- 18
15.3.4.1 Downloading the PCL Software .....	15- 18
15.3.4.2 Downloading the PCL Software .....	15- 19

## Chapter 16 Service Tools

16.1 Service Tools .....	16- 1
16.1.1 Special Tools .....	16- 1
16.1.2 Oils and Solvents.....	16- 1



---

## Chapter 1 Introduction

---



# Contents

1.1 System Construction .....	1-1
1.1.1 Pickup/ Delivery /Original Handling Accessories System Configuration (iR2020/iR2020J).....	1-1
1.1.2 Pickup/ Delivery /Original Handling Accessories System Configuration (iR2016/iR2016J).....	1-2
1.1.3 Pickup/ Delivery /Original Handling Accessories System Configuration (iR2020i).....	1-3
1.1.4 Pickup/ Delivery /Original Handling Accessories System Configuration (iR2016i).....	1-4
1.1.5 Reader Heater/ Cassette Heater System Configuration (iR2020/iR2020J/iR2016/iR2016J).....	1-5
1.1.6 Reader Heater/ Cassette Heater System Configuration (iR2020i).....	1-6
1.1.7 Reader Heater/ Cassette Heater System Configuration (iR2016i).....	1-7
1.1.8 Printing/Transmitting Accessories System Configuration (iR2020J/iR2016J).....	1-8
1.1.9 Printing/Transmitting Accessories System Configuration (iR2020/iR2016).....	1-9
1.1.10 Printing/Transmitting Accessories System Configuration (iR2020i/iR2016i).....	1-10
1.1.11 Functions of the Printing/Transmission Functions (iR2020/iR2016).....	1-11
1.1.12 Functions of the Printing/Transmission Functions (iR2020i/iR2016i).....	1-12
1.2 Product Specifications.....	1-13
1.2.1 Names of Parts.....	1-13
1.2.1.1 External View (iR2020/iR2020J).....	1-13
1.2.1.2 External View (iR2020i).....	1-14
1.2.1.3 External View (iR2016/iR2016J).....	1-15
1.2.1.4 External View (iR2016i).....	1-16
1.2.1.5 Cross-Section.....	1-16
1.2.2 Using the Machine.....	1-18
1.2.2.1 Turning On the Power Switch (iR2020/iR2020J/iR2016/iR2016J).....	1-18
1.2.2.2 Turning On the Power Switch (iR2020i/iR2016i).....	1-19
1.2.2.3 When Turning Off the Main Power Switch (iR2020/iR2020J/iR2016/iR2016J).....	1-20
1.2.2.4 When Turning Off the Main Power Switch (iR2020i/iR2016i).....	1-21
1.2.2.5 Control Panel (iR2020/iR2020J/iR2016/iR2016J).....	1-22
1.2.2.6 Control Panel (iR2020i/iR2016i).....	1-23
1.2.3 User Mode Items.....	1-23
1.2.3.1 Common Settings (iR2020/iR2020J/iR2016/iR2016J).....	1-23
1.2.3.2 Common Settings (iR2020i/iR2016i).....	1-24
1.2.3.3 Copy Settings (iR2020/iR2020J/iR2016/iR2016J).....	1-24
1.2.3.4 Timer Settings (iR2020i/iR2016i).....	1-25
1.2.3.5 FAX Settings (iR2020/iR2020J/iR2016/iR2016J).....	1-25
1.2.3.6 Adjustment/Cleaning (iR2020i/iR2016i).....	1-25
1.2.3.7 Address Book Set. (iR2020/iR2020J/iR2016/iR2016J).....	1-25
1.2.3.8 Report Settings (iR2020i/iR2016i).....	1-26
1.2.3.9 Printer Settings (iR2020/iR2020J/iR2016/iR2016J).....	1-26
1.2.3.10 System Settings (iR2020i/iR2016i).....	1-26
1.2.3.11 Timer Settings (iR2020/iR2020J/iR2016/iR2016J).....	1-27
1.2.3.12 Copy Settings (iR2020i/iR2016i).....	1-27
1.2.3.13 Report Settings (iR2020/iR2020J/iR2016/iR2016J).....	1-28
1.2.3.14 Communication Settings (iR2020i/iR2016i).....	1-28
1.2.3.15 Adjust./Cleaning (iR2020/iR2020J/iR2016/iR2016J).....	1-28
1.2.3.16 Printer Settings (iR2020i/iR2016i).....	1-29
1.2.3.17 System Settings (iR2020/iR2020J/iR2016/iR2016J).....	1-29
1.2.3.18 Address Book Settings (iR2020i/iR2016i).....	1-31
1.2.3.19 Recommended setting of system management information.....	1-31
1.2.3.20 The Reference Information of the Department ID Management.....	1-31
1.2.4 Maintenance by the User.....	1-31
1.2.4.1 User Maintenance Items.....	1-31
1.2.4.2 Cleaning (iR2020/iR2020J/iR2016/iR2016J).....	1-32
1.2.4.3 Cleaning (iR2020i/iR2016i).....	1-33
1.2.5 Safety.....	1-34

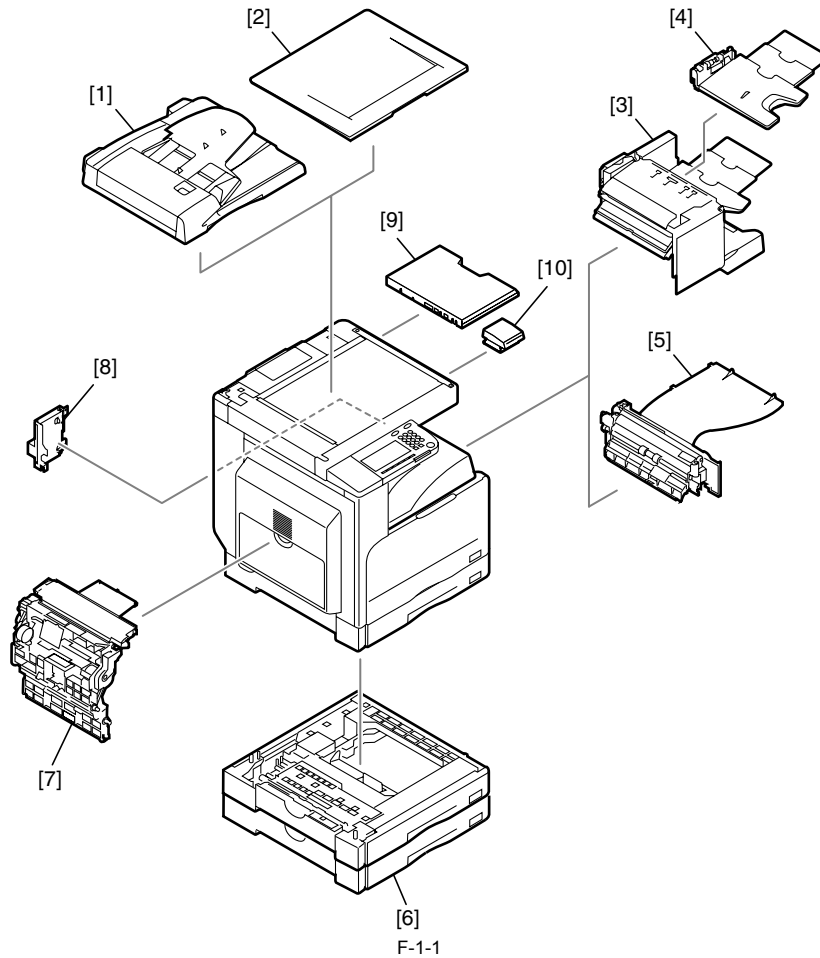
1.2.5.1 Safety of the Laser Light .....	1-34
1.2.5.2 CDRH Regulations .....	1-34
1.2.5.3 Handling the Laser Unit (iR2020/iR2020J/iR2016/iR2016J) .....	1-35
1.2.5.4 Handling the Laser Unit (iR2020i/iR2016i) .....	1-35
1.2.5.5 Safety of Toner .....	1-36
1.2.5.6 Point to Note about Fire .....	1-36
1.2.5.7 Cautions as to the replacement and disposal of lithium battery .....	1-36
1.2.6 Product Specifications .....	1-37
1.2.6.1 Product Specifications .....	1-37
1.2.7 Function List .....	1-38
1.2.7.1 Printing Speed (iR2020/iR2020J) .....	1-38
1.2.7.2 Printing Speed (iR2020i) .....	1-39
1.2.7.3 Printing Speed (iR2016/iR2016J) .....	1-40
1.2.7.4 Printing Speed (iR2016i) .....	1-41
1.2.7.5 Types of Paper .....	1-43

## 1.1 System Construction

### 1.1.1 Pickup/Delivery /Original Handling Accessories System Configuration (iR2020/iR2020J)

iR2020 /

The configuration is as shown in the following figure:



[1]	DADF-P1	
[2]	Platen Cover Type J	*1
[3]	Finisher-U1	
[4]	Additional Finisher Tray-C1	
[5]	Inner 2-way Tray-E1	
[6]	Cassette Feeding Module-K1	
[7]	Duplex Unit-A1	
[8]	Power Supply Kit-Q1	*2
[9]	Document Tray-J1	
[10]	Card Reader-E1	

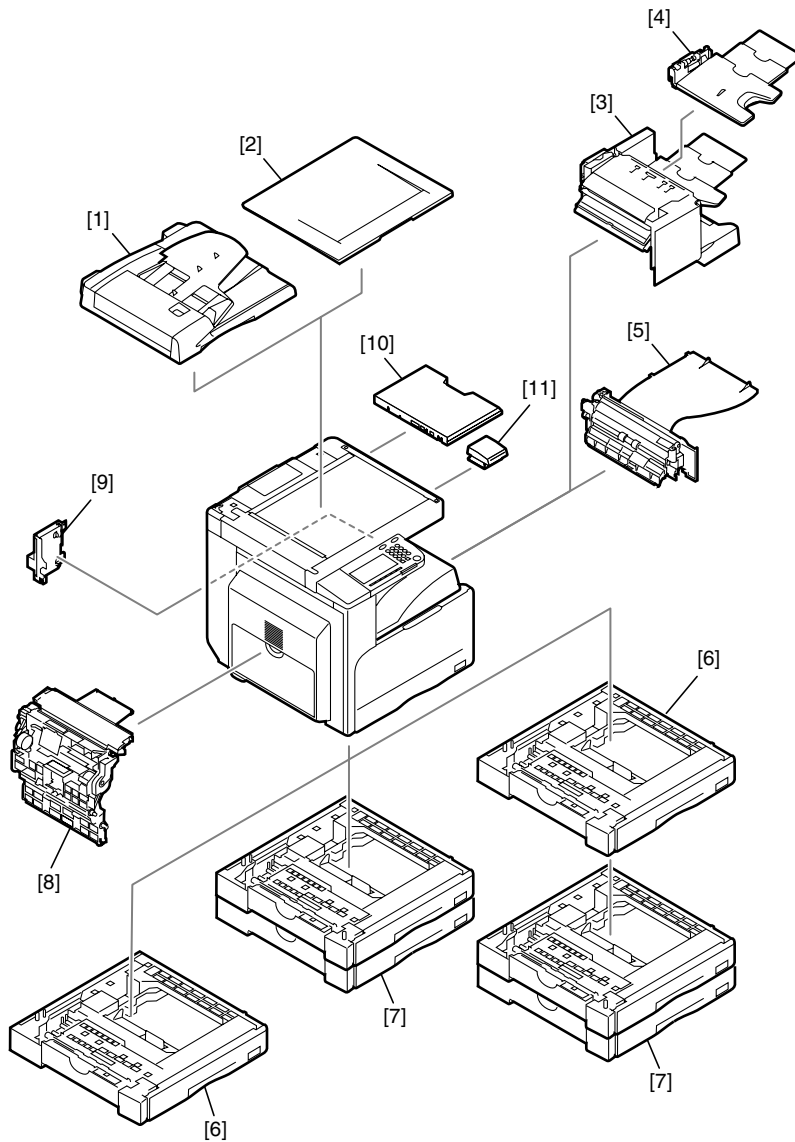
\*1: This accessory comes standard with the models for Asia excluding Taiwan and the models for some Latin American countries.

\*2: This accessory is required when the Finisher-U1, Inner 2-way tray-E1, Cassette feeding module-K1, or Duplex unit-A1 is installed. This accessory comes standard with the iR2020 for North America, Latin America, and Asia.

1.1.2 Pickup/ Delivery /Original Handling Accessories System Configuration (iR2016/iR2016J)

iR2016J / iR2016

The configuration is as shown in the following figure:



F-1-2

[1]	DADF-P1	
[2]	Platen Cover Type J	*1
[3]	Finisher-U1	
[4]	Additional Finisher Tray-C1	
[5]	Inner 2-way Tray-E1	
[6]	Cassette Feeding Module-J1	*2
[7]	Cassette Feeding Module-K1	*2
[8]	Duplex Unit-A1	
[9]	Power Supply Kit-Q1	*3
[10]	Document Tray-J1	
[11]	Card Reader-E1	

\*1: This accessory comes standard with the models for Asia excluding Taiwan and the models for some Latin American countries.

\*2: A Cassette feeding module-J1 can be placed on the Cassette feeding module-K1 to use these cassette units as a 3-stage cassette unit.

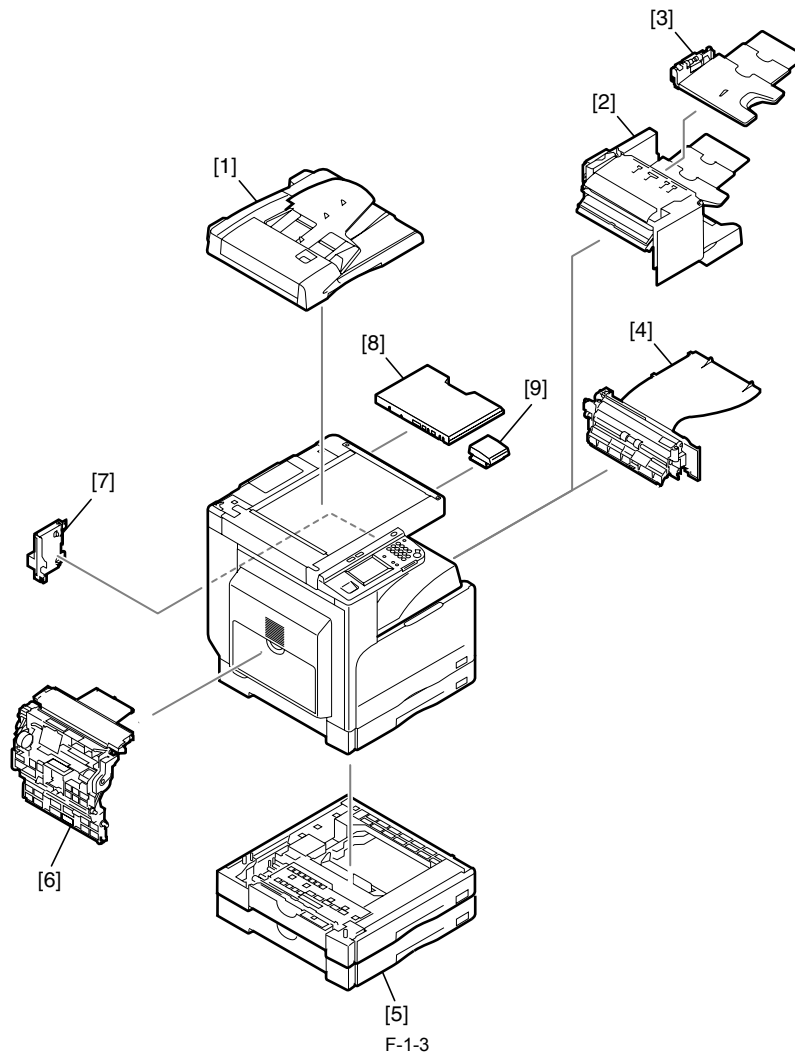
\*3: This accessory is required when the Finisher-U1, Inner 2-way tray-E1, Cassette feeding module-K1 or Duplex unit-A1 is installed. This accessory comes standard with the iR2016 for North America, Latin America and Asia.



1.1.3 Pickup/ Delivery /Original Handling Accessories System Configuration (iR2020i)

iR2020i

The configuration is as shown in the following figure:



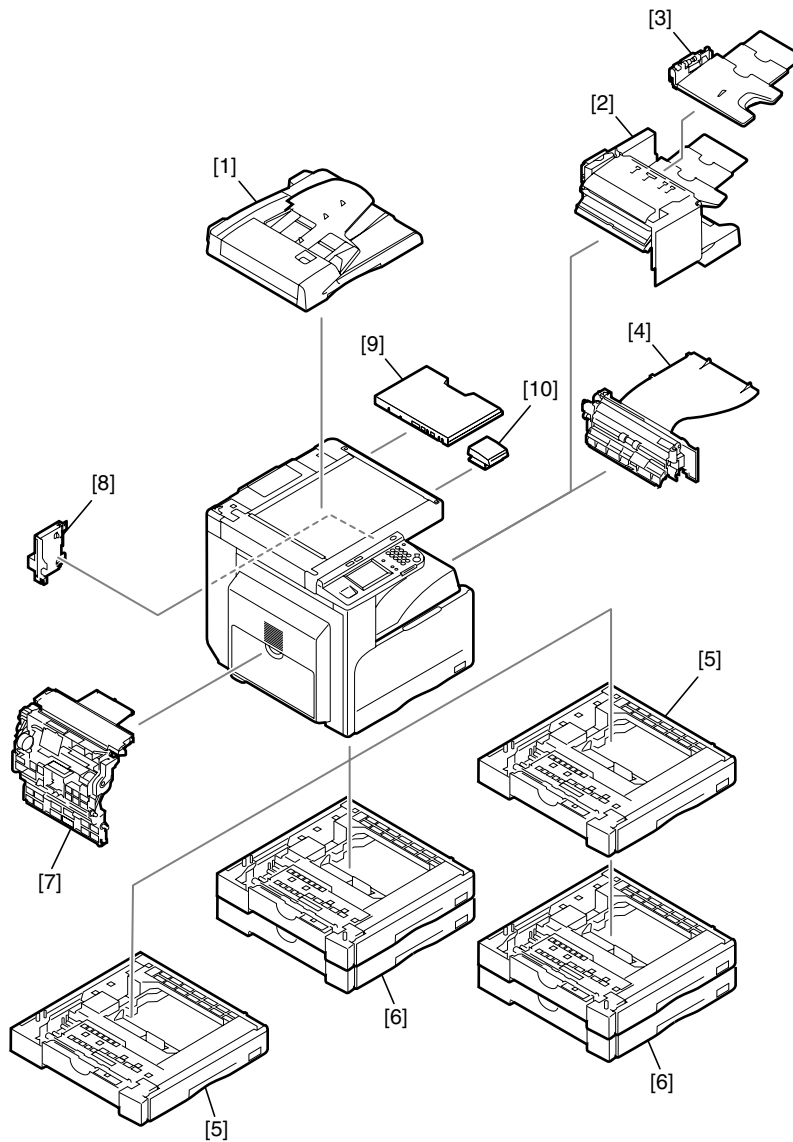
- |     |                             |    |
|-----|-----------------------------|----|
| [1] | DADF-P1                     | *1 |
| [2] | Finisher-U1                 |    |
| [3] | Additional Finisher Tray-C1 |    |
| [4] | Inner 2-way Tray-E1         |    |
| [5] | Cassette Feeding Module-K1  |    |
| [6] | Duplex Unit-A1              |    |
| [7] | Power Supply Kit-Q1         | *1 |
| [8] | Document Tray-J1            |    |
| [9] | Card Reader-E1              |    |

\*1: Standard equipment

1.1.4 Pickup/Delivery /Original Handling Accessories System Configuration (iR2016i)

iR2016i

The configuration is as shown in the following figure:



F-1-4

[1]	DADF-P1	*1
[2]	Finisher-U1	
[3]	Additional Finisher Tray-C1	
[4]	Inner 2-way Tray-E1	
[5]	Cassette Feeding Module-J1	*2
[6]	Cassette Feeding Module-K1	*2
[7]	Duplex Unit-A1	
[8]	Power Supply Kit-Q1	*1
[9]	Document Tray-J1	
[10]	Card Reader-E1	

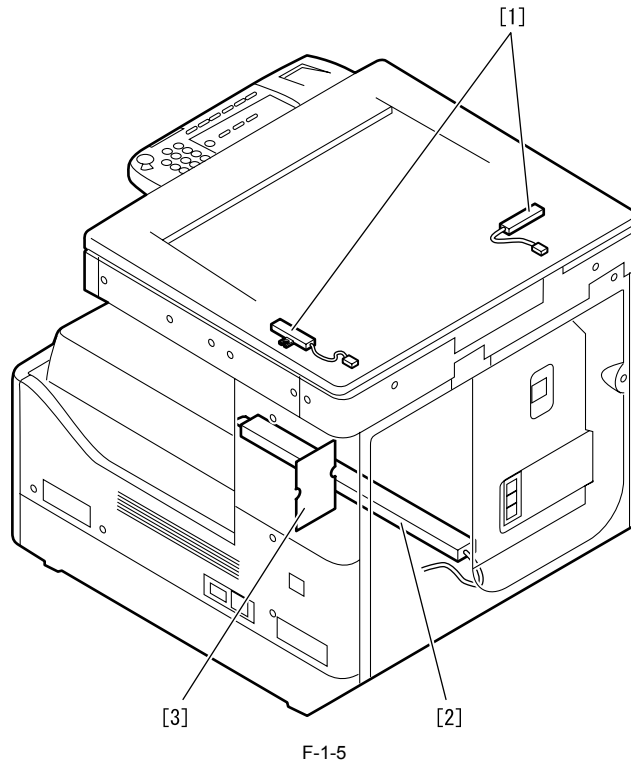
\*1: Standard equipment

\*2: A Cassette feeding module-J1 can be placed on the Cassette feeding module-K1 to use these cassette units as a 3-stage cassette unit.

### 1.1.5 Reader Heater/ Cassette Heater System Configuration (iR2020/iR2020J/iR2016/iR2016J)

iR2016J / iR2016 / iR2020 /

The configuration is as shown in the following figure:



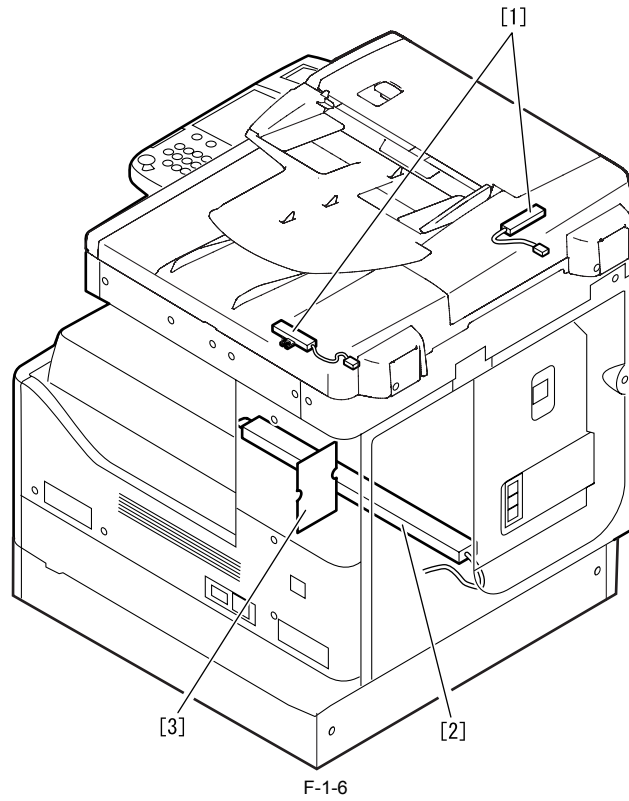
[1]	Reader Heater	*1
[2]	Cassette Heater	*1
[3]	Heater PCB	

\*1: To operate the heaters, a heater PCB is required. These parts are supplied as service parts, not the standard items.

### 1.1.6 Reader Heater/ Cassette Heater System Configuration (iR2020i)

iR2020i

The configuration is as shown in the following figure:



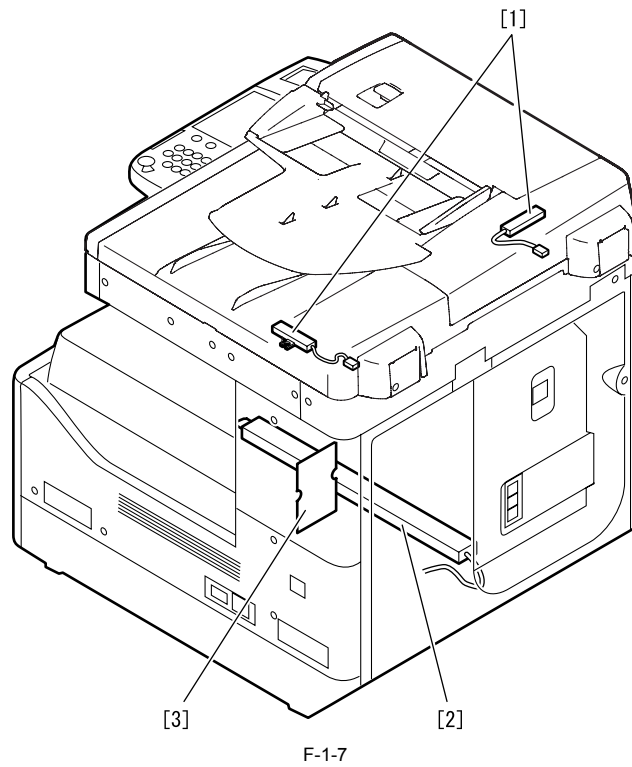
- |     |                 |    |
|-----|-----------------|----|
| [1] | Reader Heater   | *1 |
| [2] | Cassette Heater | *1 |
| [3] | Heater PCB      |    |

\*1: To operate the heaters, a heater PCB is required. These parts are supplied as service parts, not the standard items.

### 1.1.7 Reader Heater/ Cassette Heater System Configuration (iR2016i)

iR2016i

The configuration is as shown in the following figure:



[1]	Reader Heater	*1
[2]	Cassette Heater	*1
[3]	Heater PCB	

\*1: To operate the heaters, a heater PCB is required. These parts are supplied as service parts, not the standard items.

### **1.1.8 Printing/Transmitting Accessories System Configuration (iR2020J/iR2016J)**

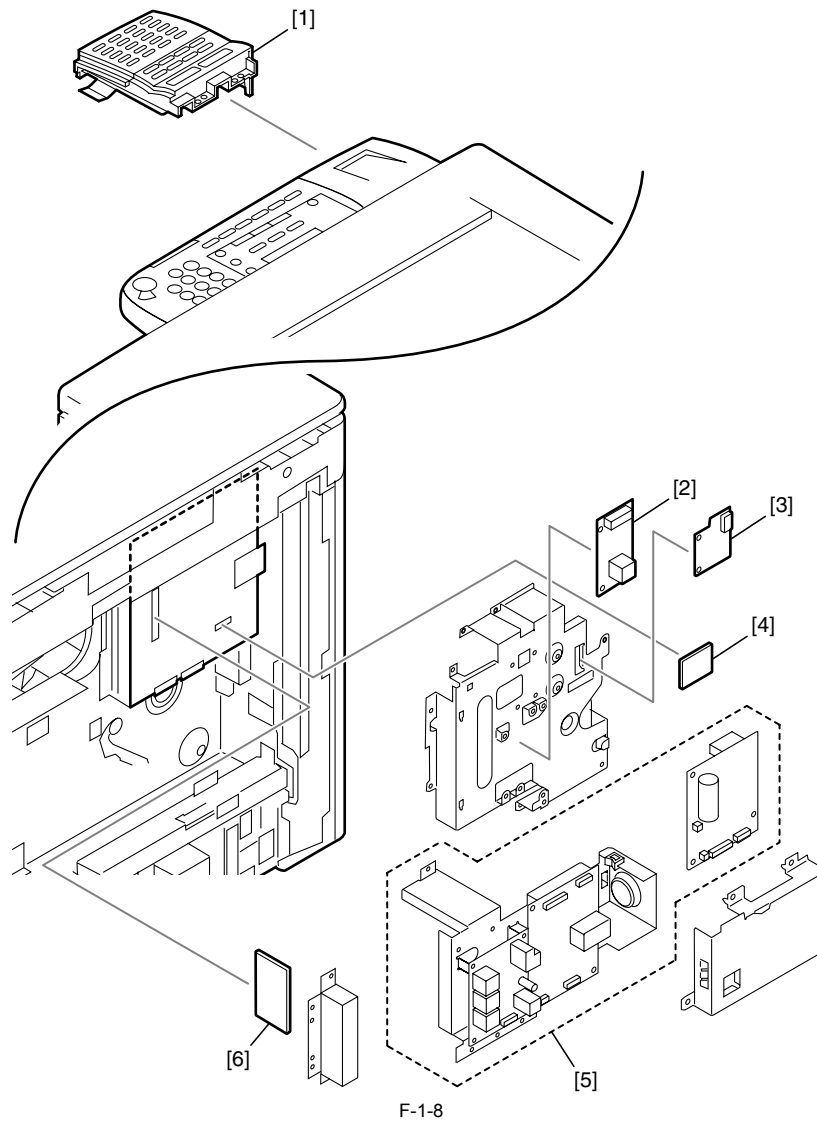
iR2016J /

The iR202J/iR2016J does not allow the print function and the transmission function to be added.

### 1.1.9 Printing/Transmitting Accessories System Configuration (iR2020/iR2016)

iR2016 / iR2020

The configuration is as shown in the following figure:



[1]	FAX Panel-A1	*1
[2]	UFR II LT Printer Kit-J2	
[3]	Serial Interface Board-A1	
[4]	PCL Printer Kit-J1	*2
[5]	Super G3 FAX Board-T1	*1
[6]	iR 256MB Expansion RAM-D1	

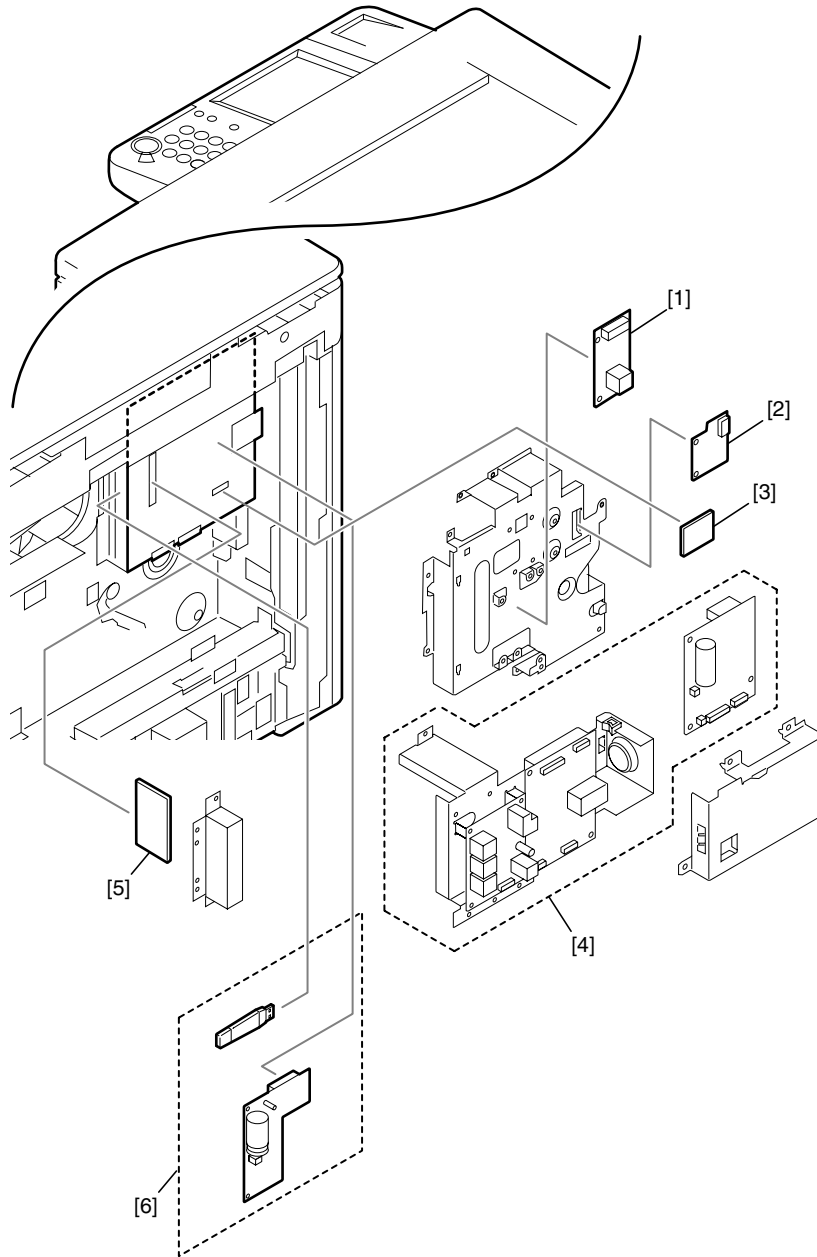
\*1: To make the FAX feature effective, a FAX panel and a super G3 FAX board are required.

\*2: The PCL printer kit contains a 256MB expansion RAM.

**1.1.10 Printing/Transmitting Accessories System Configuration (iR2020i/iR2016i)**

iR2016i / iR2020i

The configuration is as shown in the following figure:



F-1-9

- |     |  |    |
|-----|--|----|
| [1] | UFR II LT Printer Kit-J2                                       | *1 |
| [2] | Serial Interface Board-A1                                      |    |
| [3] | PCL Printer Kit-K1   | *1 |
| [4] | Super G3 FAX Board-T1  |    |
| [5] | iR 256MB Expansion RAM-D1(This item is not supplied as goods.) | *1 |
| [6] | Simple SEND Kit-A1   | *1 |

\*1: Standard equipment



---

### 1.1.11 Functions of the Printing/Transmission Functions (iR2020/iR2016)

iR2016 / iR2020

The following is a brief explanation of the functions expected of the accessories; for details, see the chapters that follow:

UFR II print function (Resolution: 600dpi)	==>	UFR II LT Printer Kit-J2
UFR II print function (Resolution: 1200dpi)	==>	UFR II LT Printer Kit-J2 iR 256MB Expansion RAM-D1
PCL print function	==>	PCL Printer Kit-J1
FAX function	==>	Super G3 FAX Board-T1 FAX Panel-A1
Coin vender function	==>	Serial Interface Board-A1

### 1.1.12 Functions of the Printing/Transmission Functions (iR2020i/iR2016i)

iR2016i / iR2020i

The following is a brief explanation of the functions expected of the accessories; for details, see the chapters that follow:

T-1-1

UFR II print function (Resolution: 1200dpi)*1	==>	UFR II LT Printer Kit-J2 iR 256MB Expansion RAM-D1
PCL print function*1	==>	PCL Printer Kit-K1
FAX function	==>	Super G3 FAX Board-T1
Coin vender function	==>	Serial Interface Board-A1
Color SEND function*1	==>	Simple SEND Kit-A1

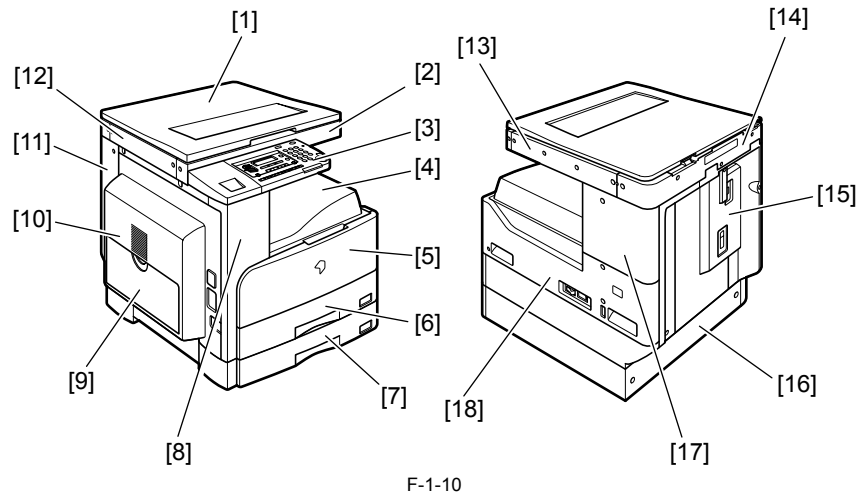
\*1: Standard equipment

## 1.2 Product Specifications

### 1.2.1 Names of Parts

#### 1.2.1.1 External View (iR2020/iR2020J)

iR2020 /



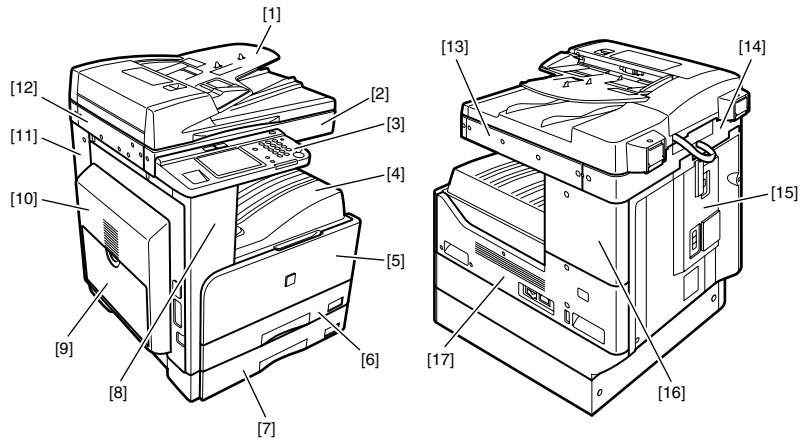
F-1-10

[1]	Copyboard cover (*1)	[10]	Left door
[2]	Reader front cover	[11]	Left cover (rear)
[3]	Control panel	[12]	Reader left cover
[4]	Delivery tray	[13]	Reader right cover
[5]	Front cover	[14]	Reader erar cover
[6]	Cassette 1	[15]	Rear cover
[7]	Cassette 2	[16]	Cassette rear cover
[8]	Left cover (front)	[17]	Right cover (upper)
[9]	Manual feed tray	[18]	Right cover (lower)

\*1: This accessory comes standard with the models for Asia excluding Taiwan and the models for some Latin American countries. Other models are available optionally.

1.2.1.2 External View (iR2020i)

iR2020i

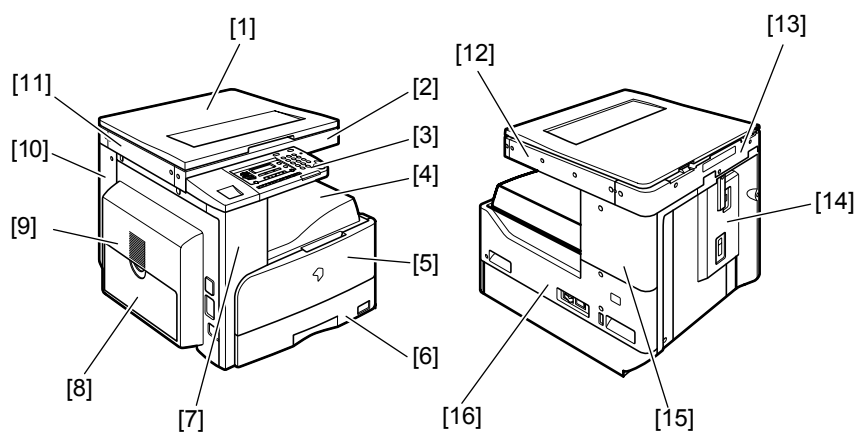


F-1-11

- |     |                    |      |                     |
|-----|--------------------|------|---------------------|
| [1] | DADF               | [10] | Left door           |
| [2] | Reader front cover | [11] | Left cover (rear)   |
| [3] | Control panel      | [12] | Reader left cover   |
| [4] | Delivery tray      | [13] | Reader right cover  |
| [5] | Front cover        | [14] | Reader rear cover   |
| [6] | Cassette 1         | [15] | Rear cover          |
| [7] | Cassette 2         | [16] | Right cover (upper) |
| [8] | Left cover (front) | [17] | Right cover (lower) |
| [9] | Manual feed tray   |      |                     |

### 1.2.1.3 External View (iR2016/iR2016J)

iR2016J / iR2016



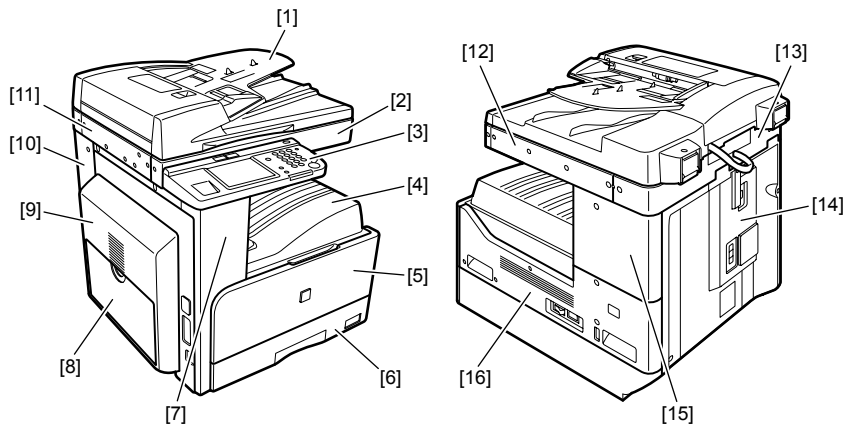
F-1-12

[1]	Copyboard cover (*1)	[9]	Left door
[2]	Reader front cover	[10]	Left cover (rear)
[3]	Control panel	[11]	Reader left cover
[4]	Delivery tray	[12]	Reader right cover
[5]	Front cover	[13]	Reader error cover
[6]	Cassette 1	[14]	Rear cover
[7]	Left cover (front)	[15]	Right cover (upper)
[8]	Manual feed tray	[16]	Right cover (lower)

\*1: This accessory comes standard with the models for Asia excluding Taiwan and the models for some Latin American countries. Other models are available optionally.

1.2.1.4 External View (iR2016i)

iR2016i

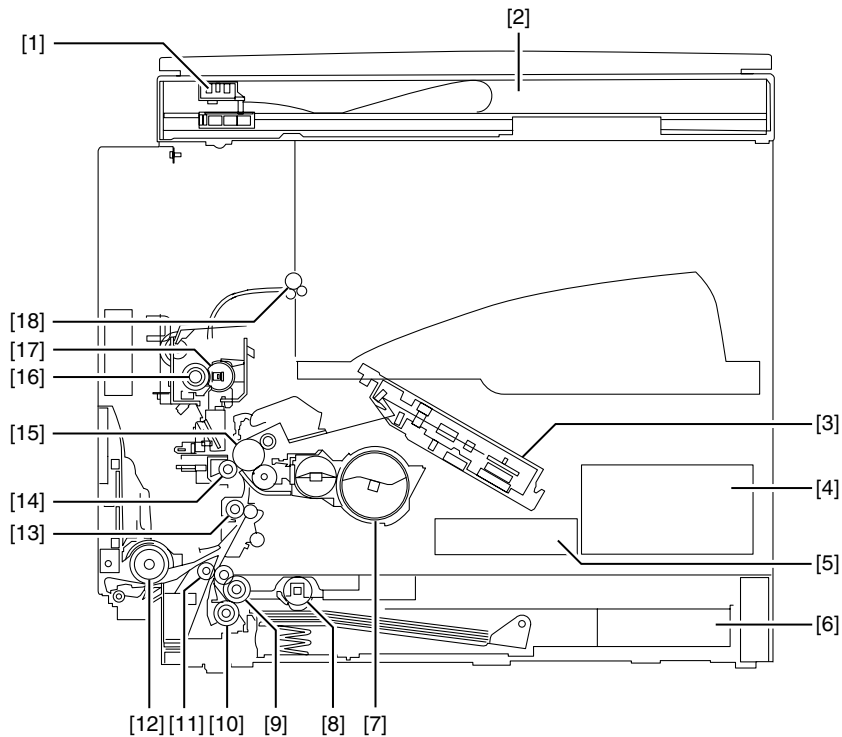


F-1-13

- |                        |                          |
|------------------------|--------------------------|
| [1] DADF               | [9] Left door            |
| [2] Reader front cover | [10] Left cover (rear)   |
| [3] Control panel      | [11] Reader left cover   |
| [4] Delivery tray      | [12] Reader right cover  |
| [5] Front cover        | [13] Reader rear cover   |
| [6] Cassette 1         | [14] Rear cover          |
| [7] Left cover (front) | [15] Right cover (upper) |
| [8] Manual feed tray   | [16] Right cover (lower) |

1.2.1.5 Cross-Section

iR2016J / iR2016 / iR2020 / iR2016i / iR2020i



F-1-14

- |                         |                                |
|-------------------------|--------------------------------|
| [1] CIS unit            | [10] Separation roller         |
| [2] Reader unit         | [11] Vertical path roller      |
| [3] Laser scanner unit  | [12] Manual feed pickup roller |
| [4] DC power supply PCB | [13] Registration roller       |
| [5] HVT PCB             | [14] Transfer roller           |
| [6] Cassette            | [15] Drum unit                 |
| [7] Toner bottle        | [16] Pressure roller           |

[8] Pickup roller  
[9] Feed roller

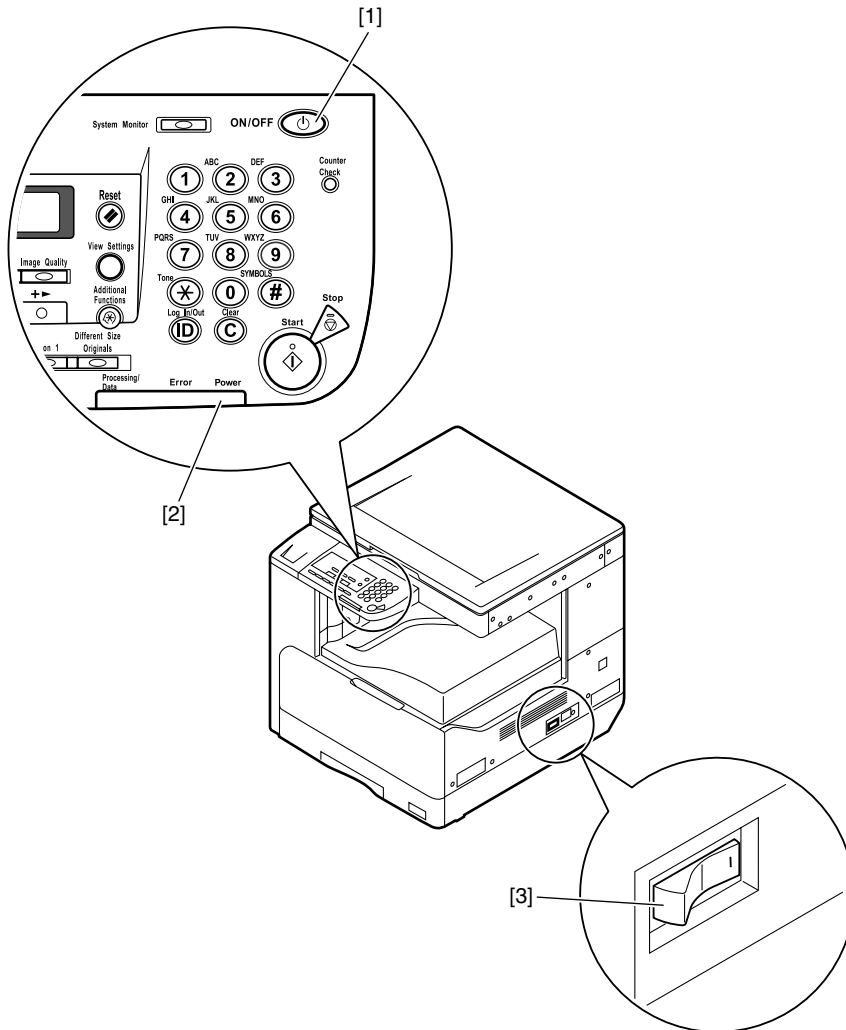
[17] Fixing film unit  
[18] Delivery roller

## 1.2.2 Using the Machine

### 1.2.2.1 Turning On the Power Switch (iR2020/iR2020J/iR2016/iR2016J)

iR2016J / iR2016 / iR2020 / / iR2016i / iR2020i

The machine possesses 2 power switches: main power switch and control power switch. Normally (i.e., unless the machine is in a sleep state), the machine will be supplied with power when you turn on its main power switch.



F-1-15

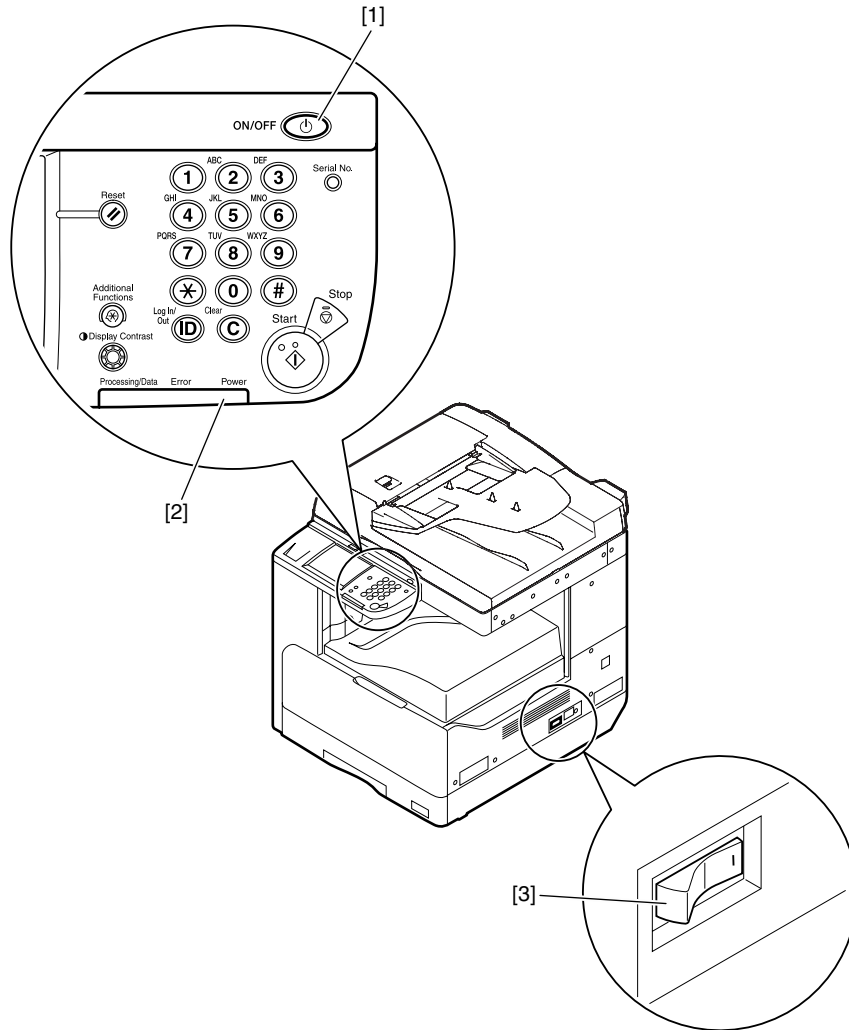
- [1] Control panel power switch
- [2] Main power lamp
- [3] Main power switch



### 1.2.2.2 Turning On the Power Switch (iR2020i/iR2016i)

iR2016i / iR2020i

The machine possesses 2 power switches: main power switch and control power switch. Normally (i.e., unless the machine is in a sleep state), the machine will be supplied with power when you turn on its main power switch.



- [1] Control panel power switch
- [2] Main power lamp
- [3] Main power switch

F-1-16

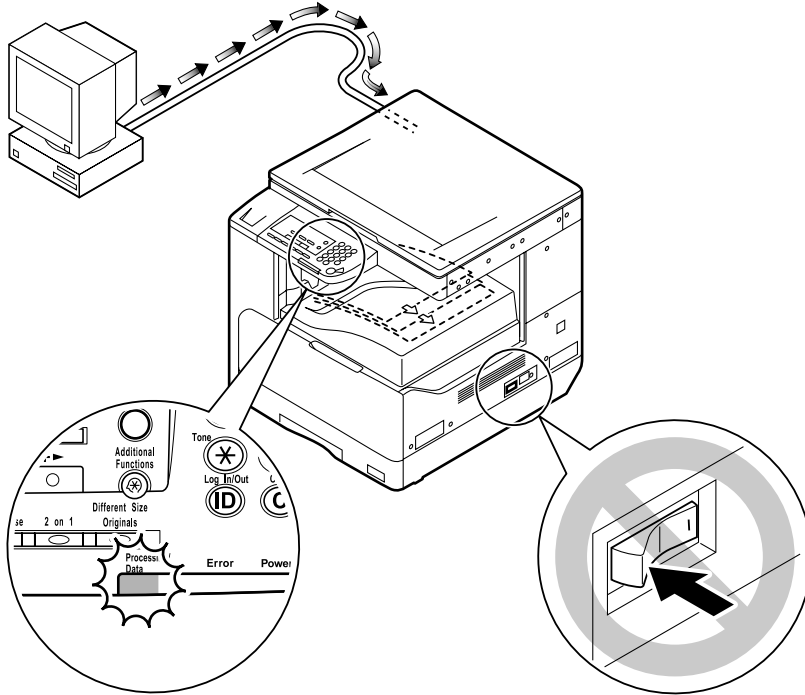
### 1.2.2.3 When Turning Off the Main Power Switch (iR2020/iR2020J/iR2016/iR2016J)

iR2016J / iR2016 / iR2020 / / iR2016i / iR2020i

<During printing or fax data transmission/reception>



Be sure to operate the main power switch while the Processing/Data lamp on the control panel is not lit.  
(Turning off the main switch during printing or fax data transmission/reception can erase the data being processed.)

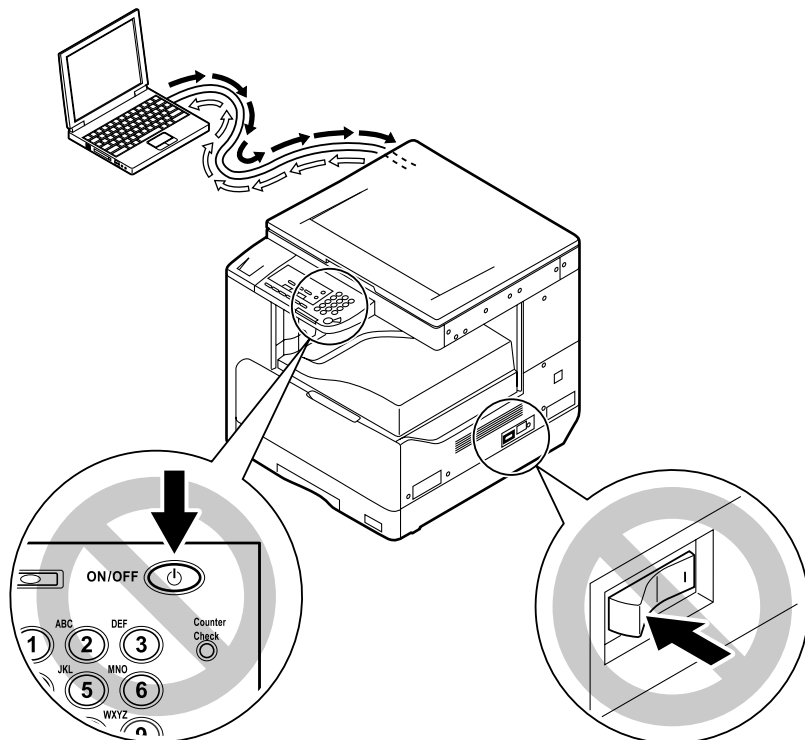


F-1-17

<During downloading>



Do not turn off the power switch or ON/OFF switch on the control panel.  
(Turning off the main power switch during downloading can make this machine inoperative.)



F-1-18

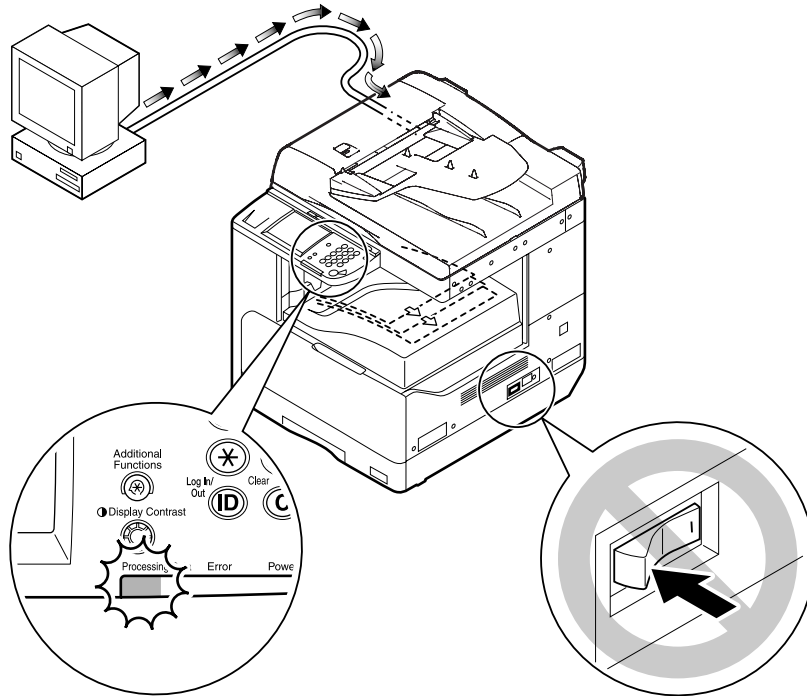
### 1.2.2.4 When Turning Off the Main Power Switch (iR2020i/iR2016i)

iR2016i / iR2020i

&lt;During printing or fax data transmission/reception&gt;



Be sure to operate the main power switch while the Processing/Data lamp on the control panel is not lit.  
(Turning off the main switch during printing or fax data transmission/reception can erase the data being processed.)

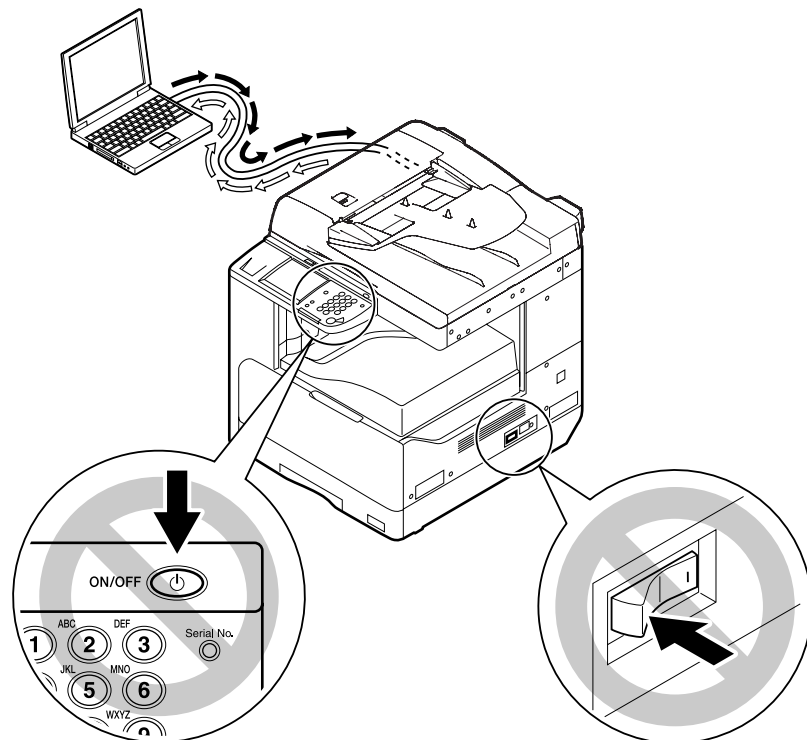


F-1-19

&lt;During downloading&gt;



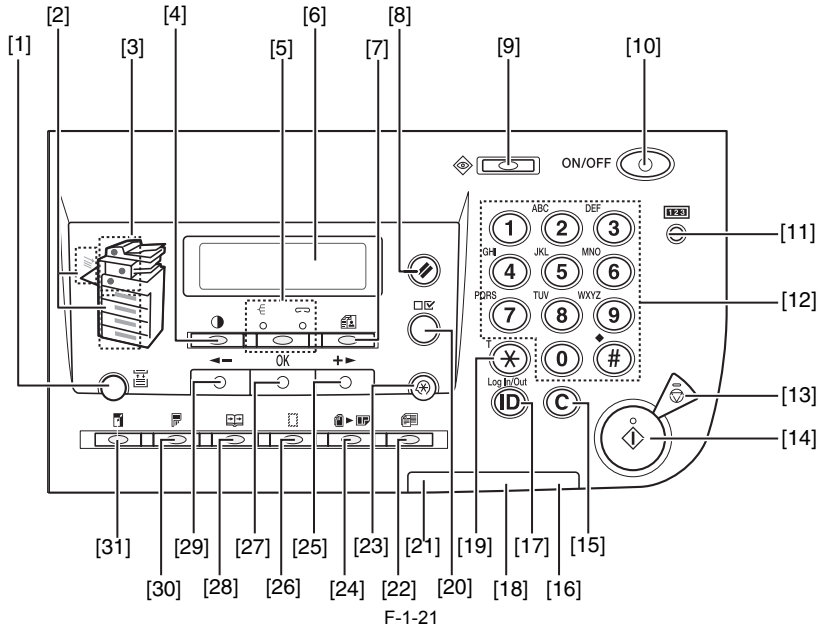
Do not turn off the power switch or ON/OFF switch on the control panel.  
(Turning off the main power switch during downloading can make this machine inoperative.)



F-1-20

1.2.2.5 Control Panel (iR2020/iR2020J/iR2016/iR2016J)

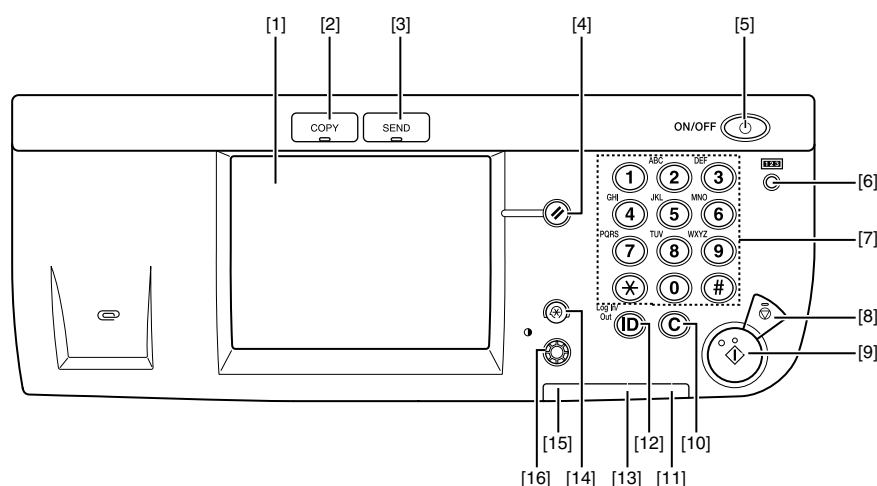
iR2016J / iR2016 / iR2020 /



- |                                 |                                  |
|---------------------------------|----------------------------------|
| [1] Paper select key            | [17] ID key                      |
| [2] Paper select indicator      | [18] Error indicator             |
| [3] Jam location indicator      | [19] Tone key                    |
| [4] Density key                 | [20] View setting key            |
| [5] Collate/Staple key          | [21] Processing/Date indicator   |
| [6] LCD                         | [22] Different size original key |
| [7] Image quality key           | [23] Additional functions key    |
| [8] Reset key                   | [24] 2 on 1 key                  |
| [9] System monitor key          | [25] Plus (+) key                |
| [10] Control panel power switch | [26] Frame erase key             |
| [11] Counter check key          | [27] OK key                      |
| [12] Numeric keys               | [28] Two-page separation key     |
| [13] Stop key                   | [29] Minus (-) key               |
| [14] Start key                  | [30] Two-sided key               |
| [15] Clear key                  | [31] Copy ratio key              |
| [16] Main power indicator       |                                  |

### 1.2.2.6 Control Panel (iR2020i/iR2016i)

iR2016i / iR2020i



F-1-22

[1] Touch Panel Display	[9] Start key
[2] COPY key	[10] Clear key
[3] SEND key	[11] Main power indicator
[4] Reset key	[12] Log IN/Out key
[5] Control panel power switch	[13] Error indicator
[6] Counter Check key	[14] Additional functions key
[7] Numeric keys	[15] Processing/Date indicator
[8] Stop key	[16] Display Contrast Dial

### 1.2.3 User Mode Items

#### 1.2.3.1 Common Settings (iR2020/iR2020J/iR2016/iR2016J)

iR2016J / iR2016 / iR2020 /

Additional Functions	Available Settings
1. DEFAULT SETTINGS	COPY(*), FAX
2. AUTO CLEAR SET.	INITIAL FUNCTION(*), SELECTED FUNCTION
3. AUDIBLE TONES	ENTRY TONE: ON (volume 1(*) to 3), OFF ERROR TONE: ON (volume 1(*) to 3), OFF TX JOB DONE TONE: ERROR ONLY (volume 1(*) to 3), OFF, ON (volume 1(*) to 3) RX JOB DONE TONE: ERROR ONLY (volume 1(*) to 3), OFF, ON (volume 1(*) to 3) SCAN DONE TONE: ERROR ONLY (volume 1(*) to 3), OFF, ON (volume 1(*) to 3) PRINT DONE TONE: ERROR ONLY (volume 1(*) to 3), OFF, ON (volume 1(*) to 3)
4. TONER SAVER MODE	OFF(*), HIGH, LOW
5. PRINTER DENSITY	1 to 9 (5(*))
6. AUTO DRAWER SELCT	COPY: DRAWER 1 (ON(*), OFF), DRAWER 2 (ON(*), OFF), DRAWER 3 (ON(*), OFF), DRAWER 4 (ON(*), OFF), STACK BYPASS (OFF(*), ON) PRINTER: DRAWER 1 (ON(*), OFF), DRAWER 2 (ON(*), OFF), DRAWER 3 (ON(*), OFF), DRAWER 4 (ON(*), OFF) FAX: DRAWER 1 (ON(*), OFF), DRAWER 2 (ON(*), OFF), DRAWER 3 (ON(*), OFF), DRAWER 4 (ON(*), OFF), STACK BYPASS (OFF(*), ON) OTHER: DRAWER 1 (ON(*), OFF), DRAWER 2 (ON(*), OFF), DRAWER 3 (ON(*), OFF), DRAWER 4 (ON(*), OFF), STACK BYPASS (OFF(*), ON)
7. REG. PAPER TYPE	DRAWER 1: PLAIN PAPER(*), COLOR, RECYCLED, HEAVY PAPER 1, BOND DRAWER 2: PLAIN PAPER(*), COLOR, RECYCLED, HEAVY PAPER 1, BOND DRAWER 3: PLAIN PAPER(*), COLOR, RECYCLED, HEAVY PAPER 1, BOND DRAWER 4: PLAIN PAPER(*), COLOR, RECYCLED, HEAVY PAPER 1, BOND
8. ENERGY IN SLEEP	LOW(*), HIGH
9. TRAY DESIGNATION	TRAY A: COPY (ON(*), OFF), PRINTER (ON(*), OFF), FAX (ON(*), OFF), OTHER (ON(*), OFF) TRAY B: COPY (ON(*), OFF), PRINTER (ON(*), OFF), FAX (ON(*), OFF), OTHER (ON(*), OFF)
10. BYPASS STD SET	OFF(*), ON: PAPER SIZE (A4, A4R, A3, B4, B5R, B5, A5R, A5, 11 x 17, LGL, LTRR, LTR, STMT, STMT, EXECUTIV, COM10, MONARCH, DL, ISO-C5, ISO-B5, FREESIZE), REG. PAPER TYPE (PLAIN PAPER, COLOR, RECYCLED, HEAVY PAPER 1, HEAVY PAPER 2, HEAVY PAPER 3, BOND, TRANSPARENCY, LABELS, ENVELOPE)
11. PAPER FEED SWITCH	STACK BYPASS (SPEED PRIORITY(*), PRINT SIDE), DRAWER 1 (SPEED PRIORITY(*), PRINT SIDE), DRAWER 2 (SPEED PRIORITY(*), PRINT SIDE), DRAWER 3 (SPEED PRIORITY(*), PRINT SIDE), DRAWER 4 (SPEED PRIORITY(*), PRINT SIDE)

Additional Functions	Available Settings
12. DISPLAY LANGUAGE	ENGLISH(*), FRENCH, SPANISH, GERMAN, ITALIAN, DUTCH, FINNISH, PORTUGUESE, NORWEGIAN, SWEDISH, DANISH, SLOVENE, CZECH, HUNGARIAN, RUSSIAN, TURKISH, GREEK, ESTONIAN, ROMANIAN, SLOVAK, CROATIAN, BULGARIAN, CATALAN, POLISH
13. ADF DIRTY ERROR	ON(*), OFF
14. INIT. COMMON SET.	OFF(*), ON

\*: Factory default

### 1.2.3.2 Common Settings (iR2020i/iR2016i)

iR2016i / iR2020i

T-1-2

Item	Settings(*1 Indicates the default setting.)
Initial Function	Select Initial Function: Copy*1, Send Set System Monitor Screen as initial function: On, Off*1 Set [Device] as the default for System Monitor: On*1, Off
Auto Clear Setting	Initial Function*1, Selected Function
Audible Tones	Entry Tone: On*1 (1* to 3 levels), Off Error Tone: On*1 (1* to 3 levels), Off Send Done Tone: On (1* to 3 levels), Off*1 Receive Done Tone: On (1* to 3 levels), Off*1 Print Done Tone: On*1 (1* to 3 levels), Off Scan Done Tone: On*1 (1* to 3 levels), Off
Toner Save Mode	High, Low, Off*1
Printer Density	1 to 9 levels; 5*1
Inch Entry	On, Off*1
Drawer Eligibility For APS/ADS	Copy: (Stack Bypass: On, Off*1, All Other Paper Sources: On*1, Off) Printer: (Stack Bypass: cannot be set, All Other Paper Sources: On*1, Off) Receive: (Stack Bypass: On, Off*1, All Other Paper Sources: On*1, Off) Other: (Stack Bypass: On, Off*1, All Other Paper Sources: On*1, Off)
Register Paper Type	Paper Drawer 1, Paper Drawer 2*2, Paper Drawer 3*2, Paper Drawer 4*2: Plain*1, Recycled, Color, Bond, Heavy Paper 1
Energy Consumption in Sleep Mode	Low*1, High
Tray Designation*2	If the Optional Inner 2 Way Tray-E1 Is Attached Tray A: Copy*1, Printer*1, Receive*1, Other*1 Tray B: Copy*1, Printer*1, Receive*1, Other*1  If the Optional Finisher-U1 and Additional Finisher Tray-C1 Are Attached Tray A: Copy*1, Printer*1, Receive*1, Other*1 Tray B: Copy*1, Printer*1, Receive*1, Other*1
Stack Bypass Standard Settings	On:Option, Off*1
Paper Feed Method Switch	Stack Bypass, Paper Drawer 1, Paper Drawer 2*2, Paper Drawer 3*2, Paper Drawer 4*2: Speed*1, Print Side
Language Switch	On, Off*1
Reversed Display (B/W)	On, Off*1
Error Display for Dirty Feeder	On*1, Off
Initialize Common Settings	Initialize

\*2 Indicates items that appear only when the appropriate optional equipment is attached.

### 1.2.3.3 Copy Settings (iR2020J/iR2016J/iR2016J)

iR2016J / iR2016 / iR2020 /

Additional Functions	Available Settings
1. IMAGE DIR PRIORITY	OFF(*), ON
2. AUTO ORIENTATION	ON(*), OFF
3. STANDARD SETTINGS	IMAGE QUALITY: TEXT/PHOTO(*), TEXT, PHOTO DENSITY: AUTO(*), MANUAL (-LT - DK+: 9 steps, 5) ZOOM RATIO: PRESET RATIO (DIRECT 100%(*), 141% A4->A3, 200% MAX., 50% MIN., 70% A3->A4), MANUAL COPIES: 1(*) to 99 AUTO COLLATE: OFF(*), COLLATE, STAPLE TWO-SIDED: OFF(*), 1 > 2-SIDED, 2 > 2-SIDED, 2 > 1-SIDED, BOOK > 2-SIDED FRAME ERASE: OFF(*), ORG. FRAME ERASE, BOOK FRAME ERASE, BINDING HOLE 2-PAGE SEPARATION: OFF(*), ON PAPER SELECT: AUTO(*), DRAWER 1, DRAWER 2, DRAWER 3, DRAWER 4
4. SHARPNESS	1 to 9 (5(*))
5. PAPER SIZE GROUP	A(*), AB, INCHES
6. MM/INCH ENTRY	mm(*), INCHES
7. INIT. COPY SET.	OFF(*), ON

\*: Factory default

**1.2.3.4 Timer Settings (iR2020i/iR2016i)**

iR2016i / iR2020i

T-1-3

Item	Settings(*1 Indicates the default setting.)
Date & Time Settings	Date and Time Setting (12 digit number) Time Zone Settings: GMT -12:00 to GMT +12:00; GMT -03:00*1 Daylight Saving Time Settings: On, Off*1
Auto Sleep Time	On*1 3 to 30 minutes; 5*1 Off
Auto Clear Time	0 (Off) to 9 minutes, in one minute increments; 2 min.*1

**1.2.3.5 FAX Settings (iR2020/iR2020J/iR2016/iR2016J)**

iR2016J / iR2016 / iR2020 /

Additional Functions	Available Settings
1. USER SETTINGS	UNIT TELEPHONE # UNIT NAME TX TERMINAL ID: ON (PRINTING POSITION: OUTSIDE IMAGE(*), INSIDE IMAGE, TELEPHONE # MARK: FAX(*), TEL), OFF SCANNING DENSITY: -LT - DK+ 9 steps (5(*)) TEL LINE TYPE: TOUCH TONE(*), ROTARY PULSE VOLUME CONTROL: MONITOR VOL. CTRL (0 - 3 (1(*))) STANDARD SETTINGS: SCAN DENSITY (STANDARD(*), DK, LT), IMAGE QUALITY (STANDARD(*), FINE, PHOTO, SUPER FINE, ULTRA FINE), DIRECT TX (OFF(*), ON), STAMP DOCUMENT (OFF(*), ON) INIT. FAX STD SET: OFF(*), ON
2. TX SETTINGS	ECM TX: ON(*), OFF PAUSE TIME: 1 to 15 (4(*)) SEC. AUTO REDIAL: ON (REDIAL TIMES, REDIAL INTERVAL, TX ERROR REDIAL)(*), OFF TIME OUT: ON(*), OFF STAMP DOCUMENT: DIRECT&MEMORY TX(*), DIRECT TX DIALING LINE CHCK: ON(*), OFF ROTATE TX: ON(*), OFF
3. RX SETTINGS	ECM RX: ON(*), OFF
4. PRINTER SETTINGS	SELECT DRAWER: SWITCH A (ON(*), OFF), SWITCH B (ON(*), OFF), SWITCH C (ON(*), OFF), SWITCH D (ON(*), OFF) RECEIVE REDUCTION: ON (RECEIVE REDUCTION, REDUCE DIRECTION)(*), OFF TWO-SIDED PRINT: OFF(*), ON CONT. PRINTING: RX TO MEMORY(*), KEEP PRINTING

\*: Factory default

**1.2.3.6 Adjustment/Cleaning (iR2020i/iR2016i)**

iR2016i / iR2020i

T-1-4

Item	Settings(*1 Indicates the default setting.)
Transfer Roller Cleaning	Press [Start]
Fixing Unit Cleaning	Press [Cleaning Sheet Print]
Feeder Cleaning	Press [Start]
Special Mode M	Normal*1, Low, High
Special Mode N	On, Off*1
Special Mode O	Stack Bypass: On, Off*1 Drawer: On, Off*1
Special Mode P	On, Off*1
Bond Special Fixing Mode	On, Off*1
Special Mode S	Speed Priority 1, Speed Priority 2, Off*1
Auto Adjustment for Dirty Feeder	On*1, Off

**1.2.3.7 Address Book Set. (iR2020/iR2020J/iR2016/iR2016J)**

iR2016J / iR2016 / iR2020 /

Additional Functions	Available Settings
1. 1-TOUCH SPD DIAL	Up to 60 destinations can be registered: TEL NUMBER ENTRY, NAME, OPTIONAL SETTING
2. CODED SPD DIAL	Up to 140 destinations can be registered: TEL NUMBER ENTRY, NAME, OPTIONAL SETTING
3. GROUP DIAL	Up to 199 destinations can be registered: TEL NUMBER ENTRY, NAME

\*: Factory default

### 1.2.3.8 Report Settings (iR2020i/iR2016i)

iR2016i / iR2020i

T-1-5

Item	Settings(*1 Indicates the default setting.)
Settings	TX Report: On, For Error Only*1, Off Report With TX Image: On*1, Off Activity Report Auto Print: On*1, Off Send/Receive Separate: On, Off*1 RX Report: On, For Error Only, Off*1
Print List	Address Book List One-touch Buttons: Yes, No Address Book: Yes, No User's Data List: Yes, No

### 1.2.3.9 Printer Settings (iR2020/iR2020J/iR2016/iR2016J)

iR2016J / iR2016 / iR2020 /

Additional Functions	Available Settings
1. DEFAULT PAPERSIZE	A4, A3, B4, B5, 11X17, LGL, LTR, STMT, EXECUTIV, COM10, MONARCH, DL, ISO-C5, ISO-B5
2. DEFAULT PAPERTYPE	PLAIN PAPER(*), COLOR, RECYCLED, HEAVY PAPER 1, HEAVY PAPER 2, HEAVY PAPER 3, BOND, TRANSPARENCY, LABELS, ENVELOPE
3. COPIES	1(*) to 999
4. 2-SIDED PRINTING	OFF(*), ON
5. PRINT QUALITY	IMAGE REFINEMENT: ON(*), OFF DENSITY: 1 to 9 (5(*)) TONER SAVER: OFF(*), ON
6. PAGE LAYOUT	BINDING: LONG EDGE(*), SHORT EDGE MARGIN: mm (-50.0 mm to +50.0 mm; 0.0 mm(*)), INCHES (-01.90 INCHES to 01.90 INCHES; 00.00 INCHES(*))
7. ERROR TIME OUT	ON (5(*) to 300 SEC), OFF
8. COLLATE	OFF(*), COLLATE, OFFSET+COLLATE, OFFSET+GROUP, STAPLE
9. INIT. PRINTER SET	OFF(*), ON
10. PCL SETTINGS**	ORIENTATION: PORTRAIT(*), LANDSCAPE FONT NUMBER: 0(*) to 120 POINT SIZE: 4.00 to 999.75 point (12.00 point(*)) PITCH: 0.44 to 99.99 cpi (10.00 cpi(*)) FORM LINES: 5 to 128 lines (64 lines(*)) SYMBOL SET: PC8(*), PC850, PC852, PC8DN, PC8TK, PC1004, PIFONT, PSMATH, PSTEXT, ROMAN8, VNINTL, VNMATH, VNUS, WIN30, WINBAL, WINL1, WINL2, WINL5, DESKTOP, ISO4, ISO6, ISO11, ISO15, ISO17, ISO21, ISO60, ISO69, ISOL1, ISOL2, ISOL5, ISOL6, LEGAL, MATH8, MCTEXT, MSPUBL, PC775 CUSTOM PAPER: OFF(*), ON (UNIT OF MEASURE, X DIMENSION, Y DIMENSION) APPEND CR TO LF: NO(*), YES ENLARGE A4: OFF(*), ON
11. RESET PRINTER	OFF(*), ON

\*: Factory default

### 1.2.3.10 System Settings (iR2020i/iR2016i)

iR2016i / iR2020i

T-1-6

Item	Settings(*1 Indicates the default setting.)
System Manager Settings	
System Manager	32 characters maximum
System Manager ID	Seven digit number maximum
System Password	Seven digit number maximum
Department ID Management	
Department ID Management	On, Off*1
Register ID/Password	Register, Edit, Erase
Page Totals	Clear, Clear All Totals, Print List
Allow ID Unknown Printer Jobs	On*1, Off
Network Settings	
TCP/IP Settings	
IP Address Settings	IP Address, Subnet Mask, Gateway Address, DHCP, RARP, BOOTP
DNS Server	Primary Server(DNS), Secondary Server (DNS), Host Name, Domain Name
WINS Configuration	WINS Resolution, WINS Server
Use LPD Print	LPD Settings



Item	Settings(*1 Indicates the default setting.)
RAW Settings	Use RAW, Use Bidirectional
Use PASV Mode for FTP	Use PASV Mode for FTP On/Off
FTP Extension	FTP Extension On/Off
Use HTTP	Use HTTP On/Off
Port Number Settings	LPD, RAW, HTTP, SMTP, Receive, POP3 Receive, FTP Sending, SMTP Sending, SNMP
IP Address Range Settings	On/Off*1 A maximum of 4 IP addresses can be stored.
Receiving MAC Address Settings	Apply Settings: On/Off MAC addresses (a maximum of 5 addresses can be registered)
SMB Settings	Use SMB Client, Server, Workgroup, Comment, LM Announce
SNMP Settings	Use SNMP, Community Name, Writable SNMP
Enable Dedicated Port Settings	On/Off
Ethernet Driver Settings	Auto Detect, Communication Mode, Ethernet Type, MAC Address
E-Mail/I-Fax	SMTP Receive, POP, POP Authentication before Send, SMTP Server, E-mail Address, POP Server, POP Address, POP Password, POP Interval
Startup Time Settings	0 to 300 seconds 60*1
Forwarding Settings	
Receive Type	All*1, Fax, I-Fax
Validate/Invalidate	On, Off*1
Register	Condition Name: 50 characters maximum Forwarding Conditions Receive Type: Fax*1, I-Fax Forwarding Destination: Select from the registered addresses. File Format: TIFF*1, PDF, Divide into Pages
Forward w/o Cond.	Receive Type: Fax*1, I-Fax Forwarding Destination: Select from the registered addresses. File Format: TIFF*1, PDF, Divide into Pages
Detail/Edit	Condition Name: 50 characters maximum Forwarding Conditions Receive Type: Fax*1, I-Fax Forwarding Destination: Select from the registered addresses. File Format: TIFF*1, PDF, Divide into Pages
Erase	Yes, No
Print List	Yes, No
Device Info Settings	
Device Name	32 characters maximum
Location	32 characters maximum
User ID Management	On, Off*1
Communications Settings	
E-mail/I-Fax	Maximum TX Data Size: 0 to 99 MB, in one MB increments, 3 MB*1 Divided TX over Max. Data Size: On, Off*1 Default Subject: 40 characters maximum
Fax Settings	Send Start Speed, Receive Start Speed R-Key Settings: PSTN*1/PBX
Memory Lock Settings	On:Option, Off*1
Remote UI On/Off	On*1, Off
Restrict Access to Destinations	Restrict New Addresses: On, Off*1 Allow Fax Driver TX: On*1, Off
License Registration	This setting is not functional in this model.
Department ID & User's Name	On*1, Off
Job Log Display	On*1, Off
Use USB Device	On*1, Off

### 1.2.3.11 Timer Settings (iR2020/iR2020J/iR2016/iR2016J)

iR2016J / iR2016 / iR2020 /

Additional Functions	Available Settings
1. DATE&TIME SETTING	Default setting
2. DATE TYPE SELECT	DD/MM YYYY(*), YYYY MM/DD, MM/DD/ YYYY
3. AUTO SLEEP TIME	ON (3 - 30 (5*) MIN. in one-minute increments), OFF
4. AUTO CLEAR TIME	ON (1 - 9 (2*) MIN. in one-minute increments), OFF
5. DAYLIGHT SV. TIME	ON(*): BEGIN DATE/TIME (MONTH, WEEK, DAY), END DATE/TIME (MONTH, WEEK, DAY), OFF

\*: Factory default

### 1.2.3.12 Copy Settings (iR2020i/iR2016i)

iR2016i / iR2020i

T-1-7

Item	Settings(*1 Indicates the default setting.)
Image Orientation Priority	On, Off*1

Item	Settings(*1 Indicates the default setting.)
Auto Orientation	On*1, Off
Standard Settings	Store, Initialize
Initialize Copy Settings	Yes, No

### 1.2.3.13 Report Settings (iR2020/iR2020J/iR2016/iR2016J)

iR2016J / iR2016 / iR2020 /

Additional Functions	Available Settings
1. SETTINGS	TX REPORT: PRINT ERROR ONLY(*), OUTPUT YES, OUTPUT NO RX REPORT: OUTPUT NO(*), PRINT ERROR ONLY, OUTPUT YES ACTIVITY REPORT: AUTO PRINT (ON(*), OFF), TX/RX SEPARATE (OFF(*), ON)
2. LIST PRINT	ACTIVITY REPORT SPEED DIAL LIST: 1-TOUCH LIST, CODED DIAL LIST, GROUP DIAL LIST ADD BOOK DETAILS: 1-TOUCH LIST, CODED DIAL LIST USER DATA LIST

\*: Factory default

### 1.2.3.14 Communication Settings (iR2020i/iR2016i)

iR2016i / iR2020i

T-1-8

Item	Settings(*1 Indicates the default setting.)
Common Settings	
TX Settings	Unit Name (24 characters maximum) Data Compression Ratio: High Ratio, Normal*1, Low Ratio Retry Times: 0 to 5 times; 3 times*1 Edit Standard Send Settings Store, Initialize TX Terminal ID On*1 (Printing Position: Inside, Outside*1; Telephone # Mark: FAX*1, TEL) Gamma Value for Color Send Jobs: Gamma 1.0, Gamma 1.4, Gamma 1.8*1, Gamma 2.2 Sharpness: 1 to 7 levels, 4*1 Register Favorites Button: M1 to M18 Color TX Scan Settings: Speed Priority, Image Priority*1 Default Screen for Send: Favorite Buttons, One-touch Buttons, Initial Function*1 Initialize TX Settings: Yes, No
RX Settings	Two-sided Print: On, Off*1 Select Cassette Switch A: On*1, Off Switch B: On*1, Off Switch C: On*1, Off Switch D: On*1, Off Receive Reduction On*1 RX Reduction: Auto*1, Fix. Red. Reduce %: 97, 95, 90*1, 75% Reduce Direction: Ver. Hor., Vertical Only*1 Off Continue Printing When Toner Is Out: Yes*1, No
Fax Settings	
User Settings	Unit Telephone # (20 characters maximum) Tel Line Type: Tone*1, Pulse Monitor Volume Control: Volume Control: 0 to 3 levels, 1*1, Off (0)
TX Settings	ECM TX: On*1, Off Pause Time: 1 to 15 seconds; 2 seconds*1 Auto Redial On*1 Option: Redial Times: 1 to 10 times; 2 times*1 Redial Interval: 2 to 99 minutes; 2 minutes*1 TX Error Redial: On*1, Off Off Check Dial Tone Before Sending: On*1, Off Rotate Send: On*1, Off
RX Settings	ECM RX: On*1, Off

### 1.2.3.15 Adjust./Cleaning (iR2020/iR2020J/iR2016/iR2016J)

iR2016J / iR2016 / iR2020 /

Additional Functions	Available Settings
1. TRANS. ROLR CLEAN	Press [OK] to start cleaning.
2. DRUM CLEANING	Press [OK] to start cleaning.
3. FIX. UNIT CLEANING	START CLEANING, CLEAN PAPER PRT
4. FEEDER CLEANING	Set 5 sheets in the optional feeder and press [OK].
5. SPECIAL MODE M	MID(*), LOW, HIGH
6. SPECIAL MODE N	OFF(*), ON
7. SPECIAL MODE O	DRAWER (OFF(*), ON), STACK BYPASS (OFF(*), ON)
8. SPECIAL MODE P	OFF(*), ON
9. BOND SP. FIX. MODE	OFF(*), ON
10. FIX. UNIT OFFSET	OFF(*), SPEED PRIORITY 1, SPEED PRIORITY 2
11. AUTO ADF DRTY ADJ	OFF(*), ON
12. MAINTENANCE CODE	OFF(*), ON

\*: Factory default

### 1.2.3.16 Printer Settings (iR2020i/iR2016i)

iR2016i / iR2020i

T-1-9

Item	Settings(* Indicates the default setting.)
Default Papersize	A4*, A3, B4, B5, A5, 11X17, LGL, LTR, STMT, EXECUTIV, ISO-B5, ISO-C5, COM10, MONARCH, DL
Default Papertype	Plain Paper*, Color, Recycled, Heavy Paper 1, Heavy Paper 2, Heavy Paper 3, Bond, Transparency, Labels, Envelope
Copies	1 to 999; 1*
2-Sided Printing	Off*, On
Print Quality	
Image Refinement	On*, Off
Density	9 levels; 5*
Toner Saver	Off*, On
Page Layout	
Binding	Long Edge*, Short Edge
Margin	MM*: -50.0 MM to 50.0 MM; 0.0 MM* Inches: -01.90 Inches to 01.90 Inches; 00.00 Inches*
Error Time Out	On* (Time Out Period: 5 to 300 Sec), Off; 15 Sec*
Collate	Off*, Collate, Offset + Collate**, Offset + Group**, Staple** (Staple Position: Top Left*, Top Right, Bottom Left)
Init. Printer Set	Off*, On
Reset Printer	Off*, On
PCL Settings	
Orientation	PortraitT*, Landscape
Font Number	0 to 120; 0*
Point Size	4.00 to 999.75 point; 12.00 point*
Pitch	0.44 to 99.99 cpi; 10.00 cpi*
Form Lines	5 to 128 lines; 64 lines*
Symbol Set	PC8*, PC850, PC852, PC8DN, PC8TK, PC1004, PIFONT, PSMATH, PSTEXT, ROMAN8, VNINTL, VNMATH, VNUS, WIN30, WINBALT, WINL1, WINL2, WINL5, DESKTOP, ISO4, ISO6, ISO11, ISO15, ISO17, ISO21, ISO60, ISO69, ISOL1, ISOL2, ISOL5, ISOL6, LEGAL, MATH8, MCTEXT, MSPUBL, PC775
Custom Paper	Off*, On
Unit of Measure	Millimeters*, Inches
X Dimension	148 mm to 432 mm (5.83" to 17.00"); 432 mm* (17.00")
Y Dimension	95 mm to 297 mm (3.75" to 11.69"); 297 mm* (11.69")
Append CR to LF	No*, Yes
Enlarge A4	Off*, On

Two asterisks (\*\*) indicate items that appear only when the appropriate optional equipment is attached.

### 1.2.3.17 System Settings (iR2020/iR2020J/iR2016/iR2016J)

iR2016J / iR2016 / iR2020 /

Additional Functions	Available Settings
1. SYS. MANAGER INFO	SYS. MANAGER ID, SYSTEM PASSWORD, SYSTEM MANAGER
2. DEVICE INFO	DEVICE NAME, LOCATION
3. MANAGE DEPT. ID	OFF(*), ON; REGISTER DEPT. ID (PASSWORD, PAGE LIMIT SET., ERASE), PAGE TOTALS (VIEW PAGE TOTALS, CLEAR ALL TOTAL, PRINT LIST), PDL JOBS W/OUT ID (ON(*), OFF)

Additional Functions	Available Settings
4. MANAGE USER ID	OFF(*), ON
5. NETWORK SETTINGS	TCP/IP SETTINGS: IP ADDRESS AUTO. (OFF(*), ON); DHCP, BOOTP, RARP, IP ADDRESS, SUBNET MASK, GATEWAY ADDRESS, USE LPD (ON(*); PORT NO., OFF), RAW SETTINGS (ON(*); PORT NO., USE BIDIRECTIONAL, OFF), USB HTTP (ON(*); PORT NO., OFF), SET IP ADD RANGE (OFF(*), ON), RX MAC ADD SET. (OFF(*), ON) SNMP SETTINGS: USE SNMP (ON(*); PORT NO., OFF), COMMUNITY NAME 1, COMMUNITY NAME 2, SNMP WRITABLE 1 (ON(*), OFF), SNMP WRITABLE 2 (ON, OFF(*)) DEDICATED PORT: ON(*), OFF ETHERNET DRIVER: DETECT (AUTO(*), MANUAL), DUPLEX (HALF DUPLEX(*), FULL DUPLEX), ETHERNET TYPE (10 BASE-T(*), 100 BASE-TX), MAC ADDRESS VIEW IP ADDRESS: IP ADDRESS, SUBNET MASK, GATEWAY ADDRESS STARTUP TIME SET.: 0(*) to 300 SEC.
6. COMMUNICATIONS	TX START SPEED: 2400 to 33600(*) bps RX START SPEED: 2400 to 33600(*) bps MEMORY LOCK SETTI: OFF(*), ON (PASSWORD, REPORT PRINT, MEMORY RX TIME) R-KEY SETTING: PSTN(*), PBX (HOOKING, PREFIX)
7. REMOTE UI	ON(*), OFF
8. ACCESS TO DEST.	RESTRICT NEW ADD. : OFF(*), ON FAX DRIVER TX: OFF(*), ON
9. CHECKING THE LOG	ON(*), OFF
10. USE DEVICE USB	OFF(*), ON

\*: Factory default

### 1.2.3.18 Address Book Settings (iR2020i/iR2016i)

iR2016i / iR2020i

T-1-10

Item	Settings(*1 Indicates the default setting.)
Register Address	
Register New Add	
Fax	Fax Number: 120 characters maximum Register Name: 16 characters maximum Option: Sending Speed, Long Distance, ECM TX
E-mail	E-mail Address: 120 characters maximum Register Name: 16 characters maximum
I-Fax	I-Fax Address: 120 characters maximum Register Name: 16 characters maximum
File	Protocol: FTP*1, Windows (SMB) Host Name: 120 characters maximum File Path: 120 characters maximum User: 24 characters maximum (FTP, Windows (SMB)) Password: 24 characters maximum (FTP), 14 characters maximum (Windows (SMB)) Register Name: 16 characters maximum
Group	Erase Address Book Register Name: 16 characters maximum
Erase	-
Edit	-
One-touch Buttons	
Register/Edit	You can register or edit the items of One-touch Buttons for Fax, E-mail, I-Fax, File, and Group shown in Register New Add above. Key Name: 12 characters maximum

### 1.2.3.19 Recommended setting of system management information

iR2016i / iR2020i

When multiple users use the machine, it is necessary to advise each user to set the system management information.

Setting ID and password of system administrator on the operation unit under (Additional functions key) > [System management setting] > [Setting of system administrator's information] has an effect of restraining the third person from falsifying information, for the ID and password are required when a user carries out an important setting of the machine.

Under the environment that the setting is not done, if a user who does not sufficiently know operation situation of the machine tries to change the setting, following troubles may occur.

- When the user changes [User ID Management] from [off] to [on], copying operation cannot be done unless ID and password are input.
- When each setting is changed on the network from RUI, that enables to falsify data of address book or delete log.
- When TCP/IP fixed address is changed on the network setting, printing operation via network cannot be done until the port setting is changed.
- When usage restriction of USB device is changed to [on], printing operation via USB becomes disabled.

### 1.2.3.20 The Reference Information of the Department ID Management

iR2016i / iR2020i

#### Function:

If Department is registered in Department ID Management, users are required to input the Department ID and password when inputting data from the operation unit of the machine. Also, the registration enables to restrict usage and control the usage number of times of Total Parts, Copy, B&W Scan, Color Scan, or Print.

#### Setting method:

Register Department ID in Department ID Management under Additional Functions key>System Setting.

#### Operation outline:

Department ID can be registered in [Department ID management] from the operation unit of the machine even though [System Manager Settings] is not done. When registering data in [Department ID Management] using RUI, you need to register yourself as a system manager in [System Manager Settings] and login as a system manager.

## 1.2.4 Maintenance by the User

### 1.2.4.1 User Maintenance Items

iR2016J / iR2016 / iR2020 / iR2016i / iR2020i

T-1-11

No.	Item	Maintenance cycle	Remarks
[1]	Pressure plate cleaning	As required	
[2]	Copyboard glass(large/small) cleaning	As required	
[3]	Copyboard holder (jump board)	As required	
[4]	Fixing pressure roller cleaning	As required	Clean every 10000 sheets
[5]	Exterior cleaning	As required	
[6]	Transfer roller cleaning	As required	
[7]	Drum cleaning	As required	
[8]	Toner replenishment (toner bottle replacement)	When the relevant error code appears	

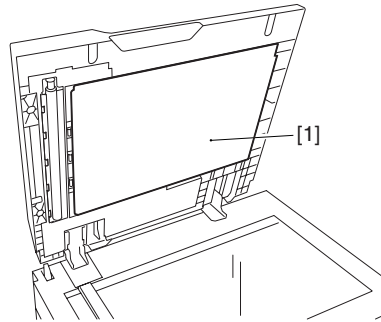
### 1.2.4.2 Cleaning (iR2020/iR2020J/iR2016/iR2016J)

iR2016J / iR2016 / iR2020 /

The parts that should be cleaned by the customer to maintain the design performance and the cleaning method are described below. The service engineer should instruct the customer to clean the machine at regular intervals (once a month).

#### 1. Pressure Plate

Clean the pressure plates [1] with a cloth dampened with water or neutral detergent and squeezed hard, and then wipe it with a dry soft cloth.

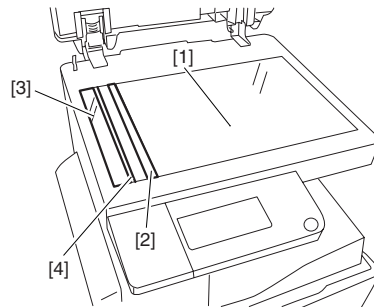


F-1-23

#### 2. Document Glass/Vertical Size Plate

Clean the document glass [1] and vertical size plate [2] with a cloth dampened with water or neutral detergent and squeezed hard, and then wipe them with a dry soft cloth.


When an ADF is installed, clean is document glass (small) [3] and glass holder [4] in the same manner.



F-1-24


#### 3. Cleaning the Fixing Pressure Roller

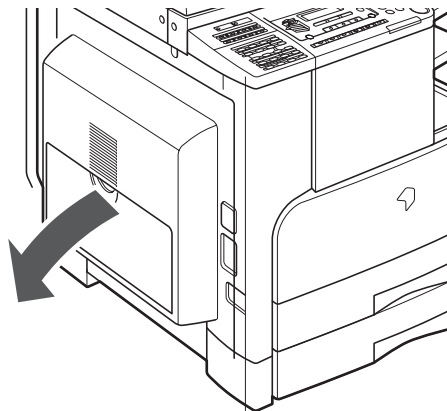
If white streaks are seen on the printed paper, the fixing pressure roller can be dirty. If white streaks are seen on the printed paper, clean the fixing pressure roller in the user mode. Be sure to clean the fixing pressure roller after replacing the toner bottle.

 When cleaning the fixing pressure roller, manually feed A4 paper.

#### MEMO:

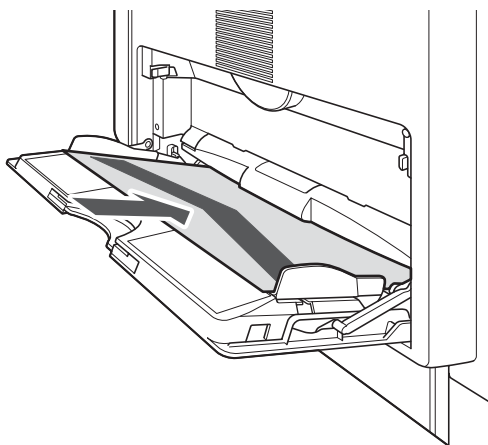
The time required for cleaning is about 100 seconds.

- 1) Press the user mode key "" to enter the user mode.
- 2) Using the left and right arrow keys, display the "ADJUST./CLEANING" menu.
- 3) Press the OK key.
- 4) Using the left and right arrow keys, select "FIX. UNIT CLEANING". Next press the OK key.
- 5) Using the left and right arrow keys, select "CLEAN PAPER PRT". Next press the OK key. A cleaning pattern will be printed.
- 6) Open the manual feed tray.



F-1-25

- 7) Place the cleaning pattern printed in step 5 in the manual feed tray with "V" up.



F-1-26

8) Using the left and right arrow keys, select "START CLEANING".

9) Press the OK key. Cleaning will start.

#### 4. Cleaning the Transfer Roller

If the reverse side of the printed paper is stained, the transfer roller can be dirty. If the reverse side of the printed paper is stained, clean the transfer roller in the user mode.

1) Press the user mode key "⊗" to enter the user mode.

2) Using the left and right arrow keys, display the "ADJUST./CLEANING".

3) Press the OK key.

4) Using the left and right arrow keys, select "TRANS. ROLR CLEAN". Next, press the OK key. Cleaning will start.

#### 5. Cleaning the Drum

If the quality of the printer image is poor, the drum can be dirty. If this symptom occurs, clean the drum in the user mode.

1) Press the user mode key "⊗" to enter the user mode.

2) Using the left and right arrow keys, display the "ADJUST./CLEANING" menu.

3) Press the OK key.

4) Using the left and right arrow keys, select "DRUM CLEANING". Next, press the OK key. Cleaning will start.

### 1.2.4.3 Cleaning (iR2020i/iR2016i)

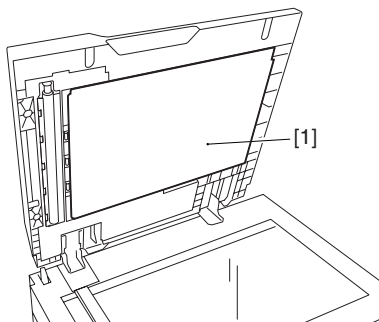
iR2016i / iR2020i

The parts that should be cleaned by the customer to maintain the design performance and the cleaning method are described below.

The service engineer should instruct the customer to clean the machine at regular intervals (once a month).

#### 1. Pressure Plate

Clean the pressure plates [1] with a cloth dampened with water or neutral detergent and squeezed hard, and then wipe it with a dry soft cloth.

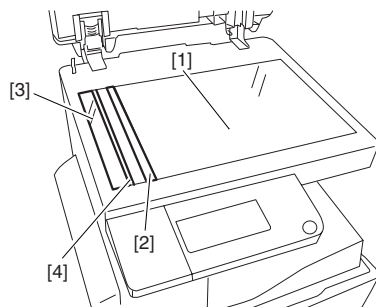


F-1-27

#### 2. Document Glass/Vertical Size Plate

Clean the document glass [1] and vertical size plate [2] with a cloth dampened with water or neutral detergent and squeezed hard, and then wipe them with a dry soft cloth.

When an ADF is installed, clean is document glass (small) [3] and glass holder [4] in the same manner.



F-1-28

#### 3. Cleaning the Fixing Pressure Roller

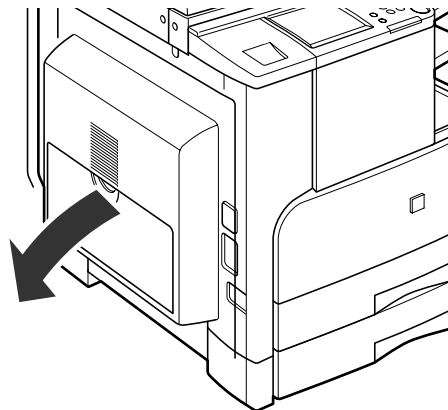
If white streaks are seen on the printed paper, the fixing pressure roller can be dirty. If white streaks are seen on the printed paper, clean the fixing pressure roller in the user mode.

**⚠** When cleaning the fixing pressure roller, manually feed A4 paper.

**MEMO:**

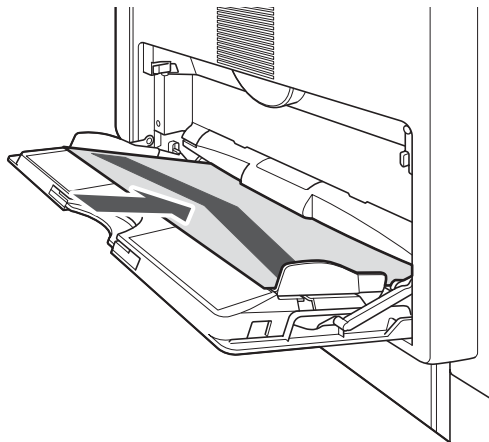
The time required for cleaning is about 100 seconds.

- 1) Press the Additional functions key to enter the user mode.
- 2) Select "Adjustment/Cleaning" on the touch panel.
- 3) Select "Fixing Unit Cleaning" and then press [Cleaning Sheet Print]. The cleaning pattern will be printed.
- 4) Open the manual feed tray.



F-1-29

- 5) Place the cleaning pattern printed in step 3 in the manual feed tray with "V" up.



F-1-30

- 6) Select the size of the loaded paper and then press [Next].
- 7) Select the size of the loaded paper and then press [OK].
- 8) Press [Start] and then Cleaning will start.

**4. Cleaning the Transfer Roller**

If the reverse side of the printed paper is stained, the transfer roller can be dirty. If the reverse side of the printed paper is stained, clean the transfer roller in the user mode.

- 1) Press the Additional functions key to enter the user mode.
- 2) Select "Adjustment/Cleaning" on the touch panel.
- 3) Select "Transfer Roller Cleaning" and press [Start]. Cleaning will start.

**5. Cleaning the Drum**

If the quality of the printer image is poor, the drum can be dirty. If this symptom occurs, clean the drum in the user mode.

- 1) Press the Additional functions key to enter the user mode.
- 2) Select "Adjustment/Cleaning" on the touch panel.
- 3) Select "Drum Cleaning" and then press [Start]. Cleaning will start.

**1.2.5 Safety**

**1.2.5.1 Safety of the Laser Light**

iR2016J / iR2016 / iR2020 / / iR2016i / iR2020i

Laser light can prove to be hazardous to the human body. The machine's laser unit is fully enclosed in a protective housing and external covers so that its light will not escape outside as long as the machine is used normally.

**1.2.5.2 CDRH Regulations**

iR2016J / iR2016 / iR2020 / / iR2016i / iR2020i

The Center for Devices and Radiological Health of the US Food and Drug Administration put into force regulations concerning laser products on August 2, 1976. These regulations apply to laser products manufactured on and after August 1, 1976, and the sale of laser products not certified under the regulations is banned within the United States. The label shown here indicates compliance with the CDRH regulations, and its attachment is required on all laser products that are sold in the United States.



**CANON**

30-2, SHIMOMARUKO, 3-CHOME, OHTAKU, TOKYO,  
146, JAPAN.

**MANUFACTURED:**

THIS PRODUCT CONFORMS WITH DHHS RADIATION  
PERFORMANCE STANDARD 21CFR CHAPTER 1  
SUBCHAPTER J.

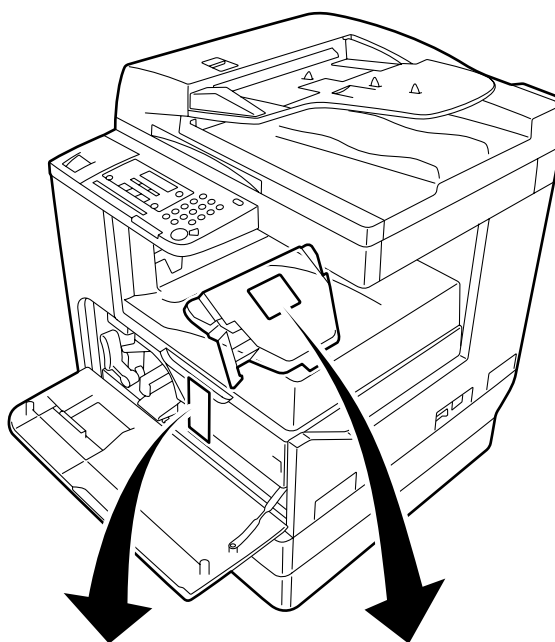
F-1-31

**1.2.5.3 Handling the Laser Unit (iR2020/iR2020J/iR2016/iR2016J)**

iR2016J / iR2016 / iR2020 /

The laser scanner unit emits invisible laser light inside it. If exposed to laser light, the human eye can irreparably be damaged. Never attempt to disassemble the laser scanner unit. (It is not designed for servicing in the field.)

Warning labels are affixed to the top cover of the laser scanner unit and the inner cover inside the front cover of this machine.



 ←	FU5-8610 
<p><b>DANGER</b>—Invisible laser radiation when open. AVOID DIRECT EXPOSURE TO BEAM.</p> <p><b>CAUTION</b>—CLASS 3B INVISIBLE LASER RADIATION WHEN OPEN. AVOID EXPOSURE TO THE BEAM.</p> <p><b>ATTENTION</b>—RAYONNEMENT LASER INVISIBLE DE CLASSE 3B EN CAS D'OUVERTURE. EVITEZ L'EXPOSITION AU FAISCEAU.</p> <p><b>VORSICHT</b>—UNSIICHTBARE LASERSTRAHLUNG KLASSE 3B, WENN ABDECKUNG GEÖFFNET. NICHT DEM STRAHL AUSSETZEN.</p> <p><b>PRECAUCIÓN</b>—RADIACIÓN LASER INVISIBLE DE CLASE 3B PRESENTE AL ABRIR. EVITE LA EXPOSICIÓN AL HAZ.</p> <p><b>VAROITUS</b>—KLASS 3B OSIVILIG LASERSTRÄLNING NÄR DENNA DEL ÄR ÖPPNAD. STRÅLEN ÄR FARLIG.</p> <p><b>VAROITUS</b>—LUOKAN 3B NÄKYMÄTTÖMÄLLE LASER-SÄTELYÄ AVATTUNA. VÄLTÄ ALTISTUMISTA SÄTEELLE.</p> <p><b>注意</b>—打开时，存在不可见的3B类激光辐射，请避免接触该激光束</p> <p><b>注意</b>—打開機器蓋板時有3B級不可視雷射光釋出，應避免曝射</p> <p><b>주의</b>—열리면 등급 3B 비가시 레이저 방사선이 방출됩니다. 광선에 노출을 피하십시오.</p> <p><b>注意</b>—ここを開くとクラス3B不可視レーザー放射が出ます。ビームに身をさらさないこと。</p>	<p><b>DANGER</b>—Invisible laser radiation when open. AVOID DIRECT EXPOSURE TO BEAM.</p> <p><b>CAUTION</b>—CLASS 3B INVISIBLE LASER RADIATION WHEN OPEN. AVOID EXPOSURE TO THE BEAM.</p> <p><b>ATTENTION</b>—RAYONNEMENT LASER INVISIBLE DE CLASSE 3B EN CAS D'OUVERTURE. EVITEZ L'EXPOSITION AU FAISCEAU.</p> <p><b>VORSICHT</b>—UNSIICHTBARE LASERSTRAHLUNG KLASSE 3B, WENN ABDECKUNG GEÖFFNET, NICHT DEM STRAHL AUSSETZEN.</p> <p><b>PRECAUCIÓN</b>—RADIACIÓN LASER INVISIBLE DE CLASE 3B PRESENTE AL ABRIR. EVITE LA EXPOSICIÓN AL HAZ.</p> <p><b>VAROITUS</b>—KLASS 3B OSIVILIG LASERSTRÄLNING NÄR DENNA DEL ÄR ÖPPNAD. STRÅLEN ÄR FARLIG.</p> <p><b>VAROITUS</b>—LUOKAN 3B NÄKYMÄTTÖMÄLLE LASER-SÄTELYÄ AVATTUNA. VÄLTÄ ALTISTUMISTA SÄTEELLE.</p> <p><b>注意</b>—打开时，存在不可见的3B类激光辐射，请避免接触该激光束</p> <p><b>注意</b>—打開機器蓋板時有3B級不可視雷射光釋出，應避免曝射</p> <p><b>주의</b>—열리면 등급 3B 비가시 레이저 방사선이 방출됩니다. 광선에 노출을 피하십시오.</p> <p><b>注意</b>—ここを開くとクラス3B不可視レーザー放射が出ます。ビームに身をさらさないこと。 FST*8335</p>

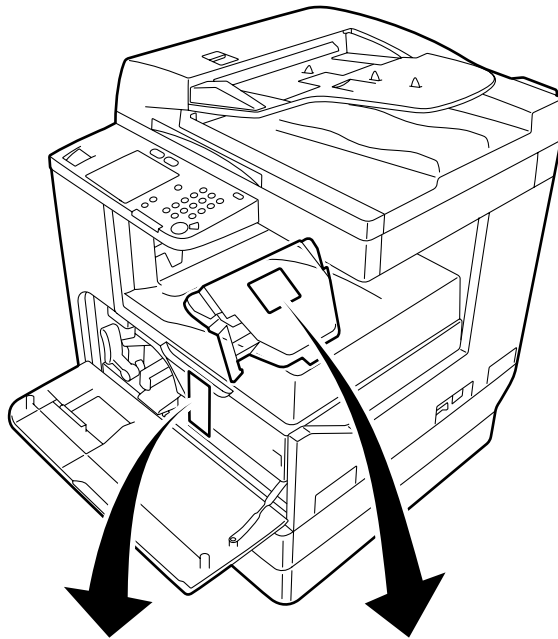
F-1-32

**1.2.5.4 Handling the Laser Unit (iR2020i/iR2016i)**

iR2016i / iR2020i

The laser scanner unit emits invisible laser light inside it. If exposed to laser light, the human eye can irreparably be damaged. Never attempt to disassemble the laser scanner unit. (It is not designed for servicing in the field.)

Warning labels are affixed to the top cover of the laser scanner unit and the inner cover inside the front cover of this machine.



<p style="text-align: right;">FU5-8610</p> <p> <b>DANGER</b> = Invisible laser radiation when open. AVOID DIRECT EXPOSURE TO BEAM.</p> <p><b>CAUTION</b> = CLASS 3B INVISIBLE LASER RADIATION WHEN OPEN. AVOID EXPOSURE TO THE BEAM.</p> <p><b>ATTENTION</b> = RAYONNEMENT LASER INVISIBLE DE CLASSE 3B EN CAS D'OUVERTURE. ÉVITEZ L'EXPOSITION AU FAISCEAU.</p> <p><b>VORSICHT</b> = UNSICHTBARE LASERSTRAHLUNG KLASSE 3B, WENN ABDECKUNG GEÖFFNET, NICHT DEM STRAHL AUSSETZEN.</p> <p><b>PRECAUCIÓN</b> = RADIACIÓN LÁSER INVISIBLE DE CLASE 3B PRESENTE AL ABRIR. EVITE LA EXPOSICIÓN AL HAZ.</p> <p><b>VAROITUS</b> = KLASSE 3B OSYNLIG LASERSTRÅLNING NÄR DENNA DEL ÄR ÖPPNAD. STRÅLEN ÄR FARLIG.</p> <p><b>VAROITUS</b> = LUOKAN 3B NÄKYMÄTTÖMÄLLE LASER-SÄTELYÄ AVATTUNA. VÄLTÄ ALTISTUMISTA SÄTEELLE.</p> <p><b>注意</b> = 打开时, 存在不可见的3B类激光辐射, 请避免接触该激光束</p> <p><b>注意</b> = 打开机器盖板时有3B级不可视雷射光释出, 应避免曝射</p> <p><b>주의</b> = 열리면 등급 3B 비가시 레이저 방사선이 방출됩니다. 광선에 노출을 피하십시오.</p> <p><b>注意</b> = ここを開くとクラス3B不可視レーザー放射が出ます。ビームに身をさらさないこと。</p>	<p> <b>DANGER</b> = Invisible laser radiation when open. AVOID DIRECT EXPOSURE TO BEAM.</p> <p><b>CAUTION</b> = CLASS 3B INVISIBLE LASER RADIATION WHEN OPEN. AVOID EXPOSURE TO THE BEAM.</p> <p><b>ATTENTION</b> = RAYONNEMENT LASER INVISIBLE DE CLASSE 3B EN CAS D'OUVERTURE. ÉVITEZ L'EXPOSITION AU FAISCEAU.</p> <p><b>VORSICHT</b> = UNSICHTBARE LASERSTRAHLUNG KLASSE 3B, WENN ABDECKUNG GEÖFFNET, NICHT DEM STRAHL AUSSETZEN.</p> <p><b>PRECAUCIÓN</b> = RADIACIÓN LÁSER INVISIBLE DE CLASE 3B PRESENTE AL ABRIR. EVITE LA EXPOSICIÓN AL HAZ.</p> <p><b>VAROITUS</b> = KLASSE 3B OSYNLIG LASERSTRÅLNING NÄR DENNA DEL ÄR ÖPPNAD. STRÅLEN ÄR FARLIG.</p> <p><b>VAROITUS</b> = LUOKAN 3B NÄKYMÄTTÖMÄLLE LASER-SÄTELYÄ AVATTUNA. VÄLTÄ ALTISTUMISTA SÄTEELLE.</p> <p><b>注意</b> = 打开时, 存在不可见的3B类激光辐射, 请避免接触该激光束</p> <p><b>注意</b> = 打开机器盖板时有3B级不可视雷射光释出, 应避免曝射</p> <p><b>주의</b> = 열리면 등급 3B 비가시 레이저 방사선이 방출됩니다. 광선에 노출을 피하십시오.</p> <p><b>注意</b> = ここを開くとクラス3B不可視レーザー放射が出ます。ビームに身をさらさないこと。</p> <p style="text-align: right;">FS7-8335</p>
---	---

F-1-33

### 1.2.5.5 Safety of Toner

iR2016J / iR2016 / iR2020 / / iR2016i / iR2020i

The machine's toner is a non-toxic material made of plastic, iron, and small amounts of dye.



Do not throw toner into fire. It may cause explosion.

#### Toner on Clothing or Skin

1. If your clothing or skin has come into contact with toner, wipe it off with tissue; then, wash it off with water.
2. Do not use warm water, which will cause the toner to jell and fuse permanently with the fibers of the cloth.
3. Do not bring toner into contact with plastic material. It tends to react easily.

### 1.2.5.6 Point to Note about Fire

iR2016J / iR2016 / iR2020 / / iR2016i / iR2020i

It is dangerous to throw lithium batteries and parts and components containing flammable substances, such as cartridges, etc., into fire. Such parts and components must be disposed of in accordance with local laws and regulations.

### 1.2.5.7 Cautions as to the replacement and disposal of lithium battery

iR2016J / iR2016 / iR2020 / / iR2016i / iR2020i

Risk of explosion if Battery is replaced by an incorrect type.  
Disposal of used Batteries according to the instructions.

## 1.2.6 Product Specifications

### 1.2.6.1 Product Specifications

iR2016J / iR2016 / iR2020 / / iR2016i / iR2020i

<b>Copyboard</b>	stream reading, fixed reading
<b>Body</b>	desktop
<b>Light source type</b>	LED array (CIS)
<b>Photosensitive medium</b>	OPC drum (30-mm dia.)
<b>Image reading method</b>	CCD (CIS)
<b>Reproduction method</b>	indirect electrostatic
<b>Exposure method</b>	by laser light
<b>Charging method</b>	by AC charging roller
<b>Development method</b>	1-component toner projection
<b>Transfer method</b>	by transfer roller
<b>Separation method</b>	by curvature + static eliminator
<b>Cassette pickup method</b>	retard
<b>Multifeeder pickup method</b>	dual processing
<b>Drum cleaning method</b>	by cleaning blade
<b>Fixing method</b>	on-demand
<b>Delivery method</b>	face-down
<b>Reproduction ratio</b>	50Åi to 200Åi
<b>Warm-up time</b>	approx. 13sec
<b>Image margin (leading edge)</b>	3.0 +/-1.5 mm
<b>Image margin (trailing edge)</b>	3.0 +/-2.0 mm
<b>Image margin (left/right)</b>	left edge: 3.0 +/-2.0 mm right edge: 0.5 mm or more
<b>Non-image width (leading edge)</b>	3.0 +/-2.0 mm
<b>Non-image width (trailing edge)</b>	3.0 +/-2.0 mm
<b>Non-image width (left/right)</b>	3.0 +/-2.0 mm
<b>Number of gradations</b>	256 gradations
<b>Reading resolution</b>	600 x 600 dpi
<b>Printing resolution</b>	iR2020/iR2016: 1200 dpi x 1200 dpi iR2020J/iR2016J: 600dpi x 600 dpi
<b>First print time</b>	Book mode: 7.9 sec or less ADF mode: 13.5 sec or less
<b>Cassette capacity</b>	250sheets (80 g/m2)
<b>Multifeeder tray capacity</b>	100 sheets (80 g/m2) (B4/LGL or less, 64 g/m2) 80 sheets (80 g/m2) (B4/LGL or less, 80 g/m2) 50 sheets (B4/LGL or more, 64 g/m2, 80 g/m2) 50 sheets (heavy paper (105 to 128 g/m2), OHP) 10 sheets (envelope) 1 sheet (label) 40 sheets (post card)
<b>Continuous reproduction</b>	1 to 99 sheets
<b>Toner type</b>	magnetic negative toner
<b>Original type</b>	sheet, book
<b>Maximum original size</b>	A3/LDR
<b>Original size detection function</b>	by reflection type sensor (iR2020 series only)
<b>Sleep mode</b>	yes
<b>Option</b>	See the system configuration chart.
<b>Operating environment (temperature range)</b>	15 to 27.5 deg C
<b>Operating environment (humidity range)</b>	25% to 75%
<b>Operating environment (atmospheric pressure)</b>	0.6 to 1.0 atm
<b>Noise</b>	iR2020 series: 66.0 dB or less iR2016 series: 64.6 dB or less
<b>Power supply rating</b>	120/230 V
<b>Power consumption (maximum)</b>	120V model: 1550 W or less 230V model: 1600 W or less
<b>Power consumption</b>	120V model: standby: 21 Wh (reference only) / continuous printing: 470 Wh (reference only) 230V model: standby: 22 Wh (reference only) / continuous printing: 500 Wh (reference only)
<b>Ozone</b>	0.01ppm or less (initial) 0.035ppm or less (after endurance test)

<b>Dimensions</b>	iR2020/iR2020J: 622 mm x 633.4 mm x 665.4 mm (WxDxH) iR2016/iR2016J: 622 mm x 633.4 mm x 580.4 mm (WxDxH) iR2020i: 622 mm x 668 mm x 757 mm (WxDxH) iR2016i: 622 mm x 668 mm x 672 mm (WxDxH)
<b>Weight</b>	iR2020/iR2020J: approx. 46 kg iR2016/iR2016J: approx. 39.6 kg iR2020i: approx. 52 kg iR2016i: approx. 46.2 kg

## 1.2.7 Function List

### 1.2.7.1 Printing Speed (iR2020/iR2020J)

iR2020 /

T-1-12

	Paper size	Single-sided	
		Cassette feed	Manual feed
Plain paper	A4	20	20
	A5	23	23
	A5R	-	13
	B5	20	20
	B5R	12	12
	A4R	11	11
	B4	9	9
	A3	10	10
	STMT	15	15
	STMTR	-	13
	EXE	-	21
	LTR	20	20
	LTRR	11	11
	LGL	10	10
LDR	10	10	
Heavy paper 1/2 (Heavy paper 3)	A4	12(10)	12(10)
	A5	13(11)	13(11)
	A5R	-	11(7)
	B5	12(10)	12(10)
	B5R	9(6)	9(6)
	A4R	10(8)	10(8)
	B4	8(6)	8(6)
	A3	8(7)	8(7)
	STMT	11(7)	11(7)
	STMTR	-	9(6)
	EXE	-	12(10)
	LTR	11(10)	11(10)
	LTRR	9(8)	9(8)
	LGL	8(5)	8(5)
LDR	8(7)	8(7)	
Bond paper	A4	7	7
	A5	5	5
	A5R	-	4
	B5	6	6
	B5R	4	4
	A4R	4	4
	B4	5	5
	A3	5	5
	STMT	4	4
	STMTR	-	4
	EXE	-	6
	LTR	7	7
	LTRR	4	4
	LGL	3	3
LDR	5	5	
OHP	A4	-	20
	LTR	-	20

	Paper size	Single-sided	
		Cassette feed	Manual feed
Envelope	Monarch	-	4
	COM10	-	4
	ISO-B5	-	4
	ISO-C5	-	4
	DL	-	4

## Supplement:

- The above copy speed does not change if magnification is changed.
- The above copy speed does not change irrespective of whether paper is supplied from the upper/lower cassette, the manual feed tray, or from the cassette feeding module.
- The copy speed may become down when the copies make continuously one minutes or more with the narrow width paper. The slowdown is reduced with the following user mode. User Mode: Additional Functions > Adjust/Cleaning > Special Mode P > ON

**1.2.7.2 Printing Speed (iR2020i)**

iR2020i

T-1-13

	Paper size	Single-sided	
		Cassette feed	Manual feed
Plain paper	A4	20	20
	A5	24	24
	A5R	-	13
	B5	21	21
	B5R	12	12
	A4R	11	11
	B4	9	9
	A3	10	10
	STMT	16	16
	STMTR	-	13
	EXE	-	21
	LTR	20	20
	LTRR	11	11
	LGL	10	10
	LDR	10	10
	8K	9	9
16K	21	21	
Heavy paper(81 to 105g/m <sup>2</sup> ) (Heavy paper(106 to 128g/m <sup>2</sup> ))	A4	12(10)	12(10)
	A5	13(11)	13(11)
	A5R	-	10(7)
	B5	12(10)	12(10)
	B5R	9(6)	9(6)
	A4R	10(8)	10(8)
	B4	6	6
	A3	8(7)	8(7)
	STMT	11(7)	11(7)
	STMTR	-	10(7)
	EXE	-	13(11)
	LTR	12(10)	12(10)
	LTRR	9(8)	9(8)
	LGL	8(6)	8(6)
	LDR	8(7)	8(7)
	8K	7(5)	7(5)
16K	12(10)	12(10)	

	Paper size	Single-sided	
		Cassette feed	Manual feed
Bond paper	A4	8	8
	A5	5	5
	A5R	-	4
	B5	6	6
	B5R	4	4
	A4R	4	4
	B4	5	5
	A3	6	6
	STMT	4	4
	STMTR	-	4
	EXE	-	6
	LTR	7	7
	LTRR	4	4
	LGL	4	4
	LDR	6	6
	8K	5	5
16K	6	6	
OHP	A4	-	20
	LTR	-	20
Envelope	Monarch	-	4
	COM10	-	4
	ISO-B5	-	4
	ISO-C5	-	4
	DL	-	4
Postcard	Postcard	-	8
	Double postal card	-	7
	4-plane post card	-	7

T-1-14

	Paper size	Double-sided	
		Cassette feed	Manual feed
Plain paper	A4	19	19
	A5	11	11
	A5R	-	15
	B5	19	19
	B5R	8	8
	A4R	8	8
	B4	7	7
	A3	7	7
	STMT	14	14
	STMTR	-	13
	EXE	-	19
	LTR	19	19
	LTRR	8	8
	LGL	7	7
	LDR	7	7
	8K	7	7
16K	19	19	

## Supplement:

- The above copy speed does not change irrespective of whether paper is supplied from the upper/lower cassette, the manual feed tray, or from the cassette feeding module.
- The copy speed may become down when the copies make continuously one minutes or more with the narrow width paper. The slowdown is reduced with the following user mode. User Mode: Additional Functions > Adjust/Cleaning > Special Mode P > ON
- The double-sided copy speed applies only when a duplex unit-A1 is installed.

**1.2.7.3 Printing Speed (iR2016/iR2016J)**

iR2016J / iR2016

T-1-15

	Paper size	Single-sided	
		Cassette feed	Manual feed
Plain paper	A4	16	16
	A5	23	23
	A5R	-	13
	B5	20	20
	B5R	12	12
	A4R	11	11
	B4	9	9
	A3	10	10
	STMT	15	15
	STMTR	-	13
	EXE	-	21
	LTR	16	16
	LTRR	11	11
	LGL	10	10
	LDR	10	10
Heavy paper 1/2 (Heavy paper 3)	A4	12(10)	12(10)
	A5	13(11)	13(11)
	A5R	-	11(7)
	B5	12(10)	12(10)
	B5R	9(6)	9(6)
	A4R	10(8)	10(8)
	B4	8(6)	8(6)
	A3	8(7)	8(7)
	STMT	11(7)	11(7)
	STMTR	-	9(6)
	EXE	-	12(10)
	LTR	11(10)	11(10)
	LTRR	9(8)	9(8)
	LGL	8(5)	8(5)
	LDR	8(7)	8(7)
Bond paper	A4	7	7
	A5	5	5
	A5R	-	4
	B5	6	6
	B5R	4	4
	A4R	4	4
	B4	5	5
	A3	5	5
	STMT	4	4
	STMTR	-	4
	EXE	-	6
	LTR	7	7
	LTRR	4	4
	LGL	3	3
	LDR	5	5
OHP	A4	-	16
	LTR	-	16
Envelope	Monarch	-	4
	COM10	-	4
	ISO-B5	-	4
	ISO-C5	-	4
	DL	-	4

## Supplement:

- The above copy speed does not change if magnification is changed.
- The above copy speed does not change irrespective of whether paper is supplied from the cassette, the manual feed tray, or from the cassette feeding module.
- The copy speed may become down when the copies make continuously one minutes or more with the narrow width paper. The slowdown is reduced with the following user mode. User Mode: Additional Functions > Adjust/Cleaning > Special Mode P > ON

**1.2.7.4 Printing Speed (iR2016i)**

iR2016i

	Paper size	Single-sided	
		Casette feed	Manual feed
Plain paper	A4	16	16
	A5	24	24
	A5R	-	13
	B5	21	21
	B5R	12	12
	A4R	11	11
	B4	9	9
	A3	10	10
	STMT	16	16
	STMTR	-	13
	EXE	-	21
	LTR	16	16
	LTRR	11	11
	LGL	10	10
	LDR	10	10
	8K	9	9
16K	21	21	
Heavy paper(81 to 105g/m2) (Heavy paper(106 to 128g/m2)	A4	12(10)	12(10)
	A5	13(11)	13(11)
	A5R	-	10(7)
	B5	12(10)	12(10)
	B5R	9(6)	9(6)
	A4R	10(8)	10(8)
	B4	6	6
	A3	8(7)	8(7)
	STMT	11(7)	11(7)
	STMTR	-	10(7)
	EXE	-	13(11)
	LTR	12(10)	12(10)
	LTRR	9(8)	9(8)
	LGL	8(5)	8(5)
	LDR	8(7)	8(7)
	8K	7(5)	7(5)
16K	12(10)	12(10)	
Bond paper	A4	8	8
	A5	6	6
	A5R	-	4
	B5	6	6
	B5R	4	4
	A4R	4	4
	B4	5	5
	A3	6	6
	STMT	4	4
	STMTR	-	4
	EXE	-	6
	LTR	7	7
	LTRR	4	4
	LGL	4	4
	LDR	6	6
	8K	5	5
16K	6	6	
OHP	A4	-	16
	LTR	-	16
Envelope	Monarch	-	4
	COM10	-	4
	ISO-B5	-	4
	ISO-C5	-	4
	DL	-	4
Postcard	Postcard	-	8
	Double postal card	-	7
	4-plane post card	-	7



T-1-17

	Paper size	Double-sided	
		Cassette feed	Manual feed
Plain paper	A4	16	16
	A5	11	11
	A5R	-	15
	B5	19	19
	B5R	8	8
	A4R	8	8
	B4	7	7
	A3	7	7
	STMT	14	14
	STMTR	-	13
	EXE	-	19
	LTR	16	16
	LTRR	8	8
	LGL	7	7
	LDR	7	7
	8K	7	7
16K	19	19	

## Supplement:

- The above copy speed does not change irrespective of whether paper is supplied from the upper/lower cassette, the manual feed tray, or from the cassette feeding module.
- The copy speed may become down when the copies make continuously one minutes or more with the narrow width paper. The slowdown is reduced with the following user mode. User Mode: Additional Functions > Adjust/Cleaning > Special Mode P > ON
- The double-sided copy speed applies only when a duplex unit-A1 is installed.

**1.2.7.5 Types of Paper**

iR2016J / iR2016 / iR2020 / / iR2016i / iR2020i

T-1-18

Type		Paper size	Source	
			Manual Feed Tray	Cassette
Plain paper, eco paper, recycled paper (64-90g/m <sup>2</sup> )		A3, B4, A4, A4R, B5, B5R, A5, LDR, LGL, LTR, LTRR, STMT, 8K, 16K	Yes	Yes
Special paper	Heavy paper (90-128g/m <sup>2</sup> )	Width: 95mm-297mm Length: 148mm-432mm	Yes	No
	OHP	A4, LTR	Yes	No
	Postcard	Postcard A6R modified	Yes	No
	4-plane postcard	A4 modified	Yes	No
	Label paper	A4, B4, LTR	Yes	No
	3-hole paper	same as plain	Yes	Yes
Envelope		Com10, Monarch, DL, ISO-C5, ISO-B5	Yes	No



---

## Chapter 2 Installation

---



---

# Contents

2.1 Making Pre-Checks .....	2-1
2.1.1 Selecting the Site of Installation .....	2-1
2.1.2 Before Starting the Work (230V EUR) .....	2-1
2.1.3 Before Starting the Work (230V EUR) .....	2-3
2.2 Unpacking and Installation .....	2-5
2.2.1 Unpacking and Removing the Packaging Materials .....	2-5
2.2.2 Unpacking and Removing the Packaging Materials .....	2-5
2.2.3 Installing the Drum Unit .....	2-5
2.2.4 Installing the Toner Bottle .....	2-7
2.2.5 Installing the Toner Bottle .....	2-7
2.2.6 Setting the Cassettes .....	2-9
2.2.7 Attaching the Ferrite Core .....	2-10
2.2.8 Attaching the Ferrite Core .....	2-10
2.2.9 Checking the Image Quality .....	2-10
2.2.10 Setting the Country/Region.....	2-11
2.2.11 Setting the Country/Region.....	2-11
2.2.12 Setting the Date and Time.....	2-11
2.2.13 Setting the Date and Time.....	2-12
2.2.14 Attaching Other Parts.....	2-12
2.3 Checking the Connection to the Network .....	2-12
2.3.1 Checking the Network Connection .....	2-12
2.3.2 Checking the Network Connection .....	2-14
2.4 Flow of Accessory Installation .....	2-15
2.4.1 Flow of Accessory Installation.....	2-15
2.4.2 Flow of Accessory Installation.....	2-16
2.4.3 Flow of Accessory Installation.....	2-17
2.5 Installing the Card Reader.....	2-18
2.5.1 Points to Note.....	2-18
2.5.2 Checking the Contents .....	2-18
2.5.3 Installation Procedure .....	2-19
2.5.4 Registering the Card IDs.....	2-24
2.5.5 Registering the Card IDs.....	2-25
2.6 Installing the Heater PCB .....	2-26
2.6.1 Preparing the parts .....	2-26
2.6.2 Preparing the Host Machine.....	2-26
2.6.3 Installing the Heater PCB .....	2-28
2.7 Installing the Reader Heater.....	2-32
2.7.1 Preparing the parts .....	2-32
2.7.2 Installing the Reader Heater Harness .....	2-32
2.7.3 Removing Reader Components .....	2-36
2.7.4 Removing Parts at the Left of the Reader .....	2-37
2.7.5 Installing the Reader Heater.....	2-39
2.8 Installing the Cassette Heater.....	2-42
2.8.1 Preparing the parts .....	2-42
2.8.2 Preparing the Host Machine.....	2-42
2.8.3 Installing the Cassette Heater.....	2-42
2.9 Installing the Control Card Cable .....	2-45
2.9.1 Preparing the parts .....	2-45
2.9.2 Installing the Control Card Cable .....	2-45



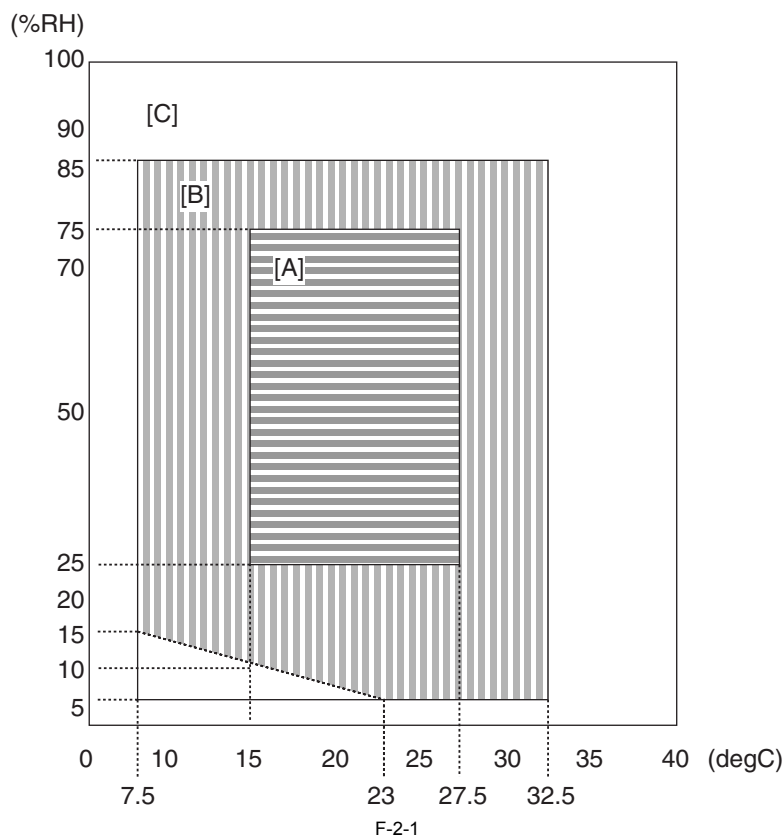
## 2.1 Making Pre-Checks

### 2.1.1 Selecting the Site of Installation

iR2016J / iR2016 / iR2020 / iR2016i / iR2020i

Select the site of installation against the following requirements; if possible, visit the user's before delivery of the machine:

- 1) There must be a power outlet properly grounded and rated as indicated (-/+10%) for exclusive use by the machine.
- 2) The environment of the room must be as indicated in the following diagram, and the machine must not be installed near a water faucet, water boiler, humidifier, or refrigerator:



#### <Environmental zone assured>

[A]: Zone A: Satisfies all the conditions of the standard image quality and paper feed performance.

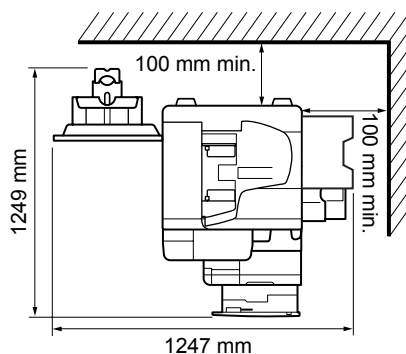
[B]: Zone B: Inferior to Zone A in terms of the standard image quality and paper feed performance, or may not apply.

[C]: Zone C: Problems associated with safety, malfunctions, or incorrect message display do not occur, but image quality and paper feed performance are not guaranteed.

- 3) The machine must not be installed near a source of fire or in an area subject to dust or ammonium gas.

If the area is exposed to direct rays of the sun, provide curtains to the window.

- 4) The level of ozone generated by the machine will not affect the health of individuals around it. Some, however, may find its odor unpleasant as while remaining in contact with it for long hours. Be sure that the room is well ventilated.
- 5) The floor of the machine must be level so that the feet of the machine will remain in contact and the machine will remain level.
- 6) The machine must be at least 10 cm away from any wall, permitting unobstructed use.



- 7) The machine must be placed in a well ventilated area. It is important to make sure, however, that the machine is not near the air vent (for suction) of the room.

### 2.1.2 Before Starting the Work (230V EUR)

iR2016J / iR2016 / iR2020

#### 1-1 Points to Make Before Installation

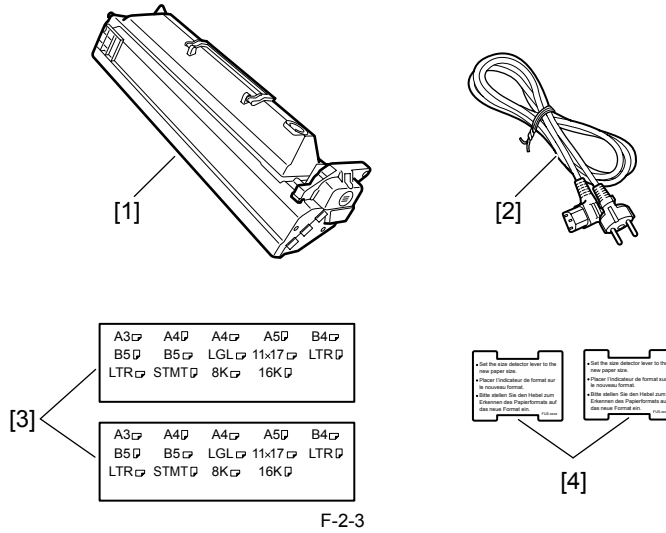
Be sure to go through the following before starting the work:

- 1) If you are installing the machine after moving it from a cold to warm location, be sure to leave the machine unpacked for at least 2 hours so that the machine is fully used to the site temperature, thus avoiding image faults caused by condensation. (The term "condensation" refers to the formation of droplets of water on the surface of a metal object brought in from a cold to warm place, i.e., as the result of the rapid cooling of the moisture (vapor) around the object.)

2) The machine weighs a maximum of about 46 kg. Be sure to work in a group of 2 persons when lifting it.

**1-2 Checking the Contents**

Check to be sure that none of the following contents is missing:



F-2-3

- |     |             |     |   |     |                     |     |      |      |
|-----|-------------|-----|---|-----|---------------------|-----|------|------|
| [1] | Drum unit   | --- | 1 | [3] | Cassette size label | --- | 2(1) | (*1) |
| [2] | Power cable | --- | 1 | [4] | Caution sheet       | --- | 2(1) | (*1) |

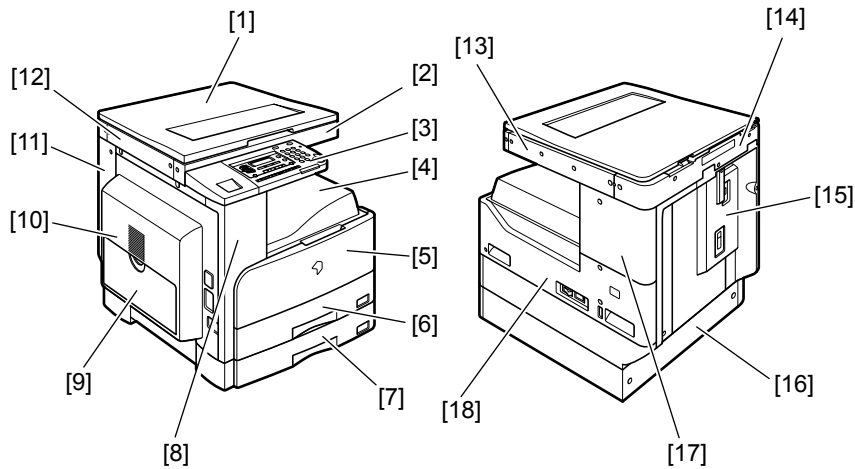
\*1: iR2020: 2 pc., iR2016/iR2016J: 1 pc.

Check the documentation and CD against the following table:

T-2-1

Documentation and CD	iR2020/iR2016	iR2016J
Operators manual: User's Guide	Yes	Yes
Operators manual: Easy Operation Guide	No	Yes
Operators manual CD-ROM	Yes	Yes

**1-3 Names of Parts**



F-2-4

T-2-2

- |     |                    |      |                     |
|-----|--------------------|------|---------------------|
| [1] | Copyboard cover    | [10] | Left door           |
| [2] | Reader front cover | [11] | Left cover (rear)   |
| [3] | Control panel      | [12] | Reader left cover   |
| [4] | Delivery tray      | [13] | Reader right cover  |
| [5] | Front cover        | [14] | Reader erar cover   |
| [6] | Cassette 1         | [15] | Rear cover          |
| [7] | Cassette 2         | [16] | Cassette rear cover |
| [8] | Left cover (front) | [17] | Right cover (upper) |
| [9] | Manual feed tray   | [18] | Right cover (lower) |

\*2: iR2020 only



### 2.1.3 Before Starting the Work (230V EUR)

iR2016i / iR2020i

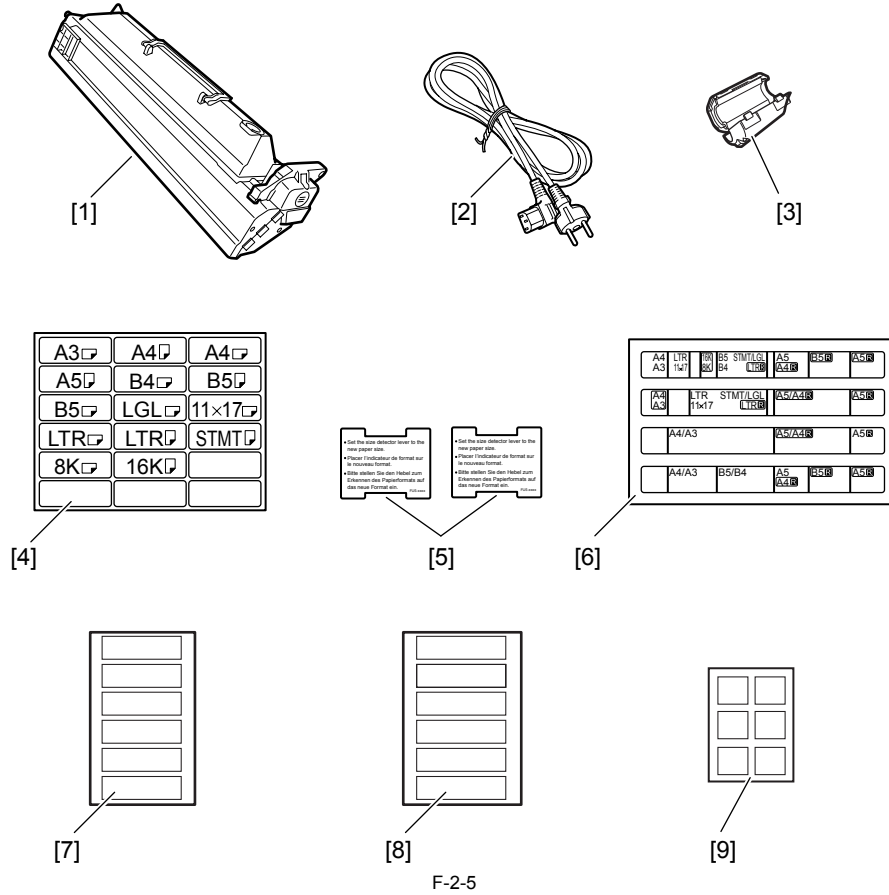
#### 1-1 Points to Make Before Installation

Be sure to go through the following before starting the work:

- 1) If you are installing the machine after moving it from a cold to warm location, be sure to leave the machine unpacked for at least 2 hours so that the machine is fully used to the site temperature, thus avoiding image faults caused by condensation. (The term "condensation" refers to the formation of droplets of water on the surface of a metal object brought in from a cold to warm place, i.e., as the result of the rapid cooling of the moisture (vapor) around the object.)
- 2) The machine weighs a maximum of about 52 kg. Be sure to work in a group of 2 persons when lifting it.

#### 1-2 Checking the Contents

Check to be sure that none of the following contents is missing:



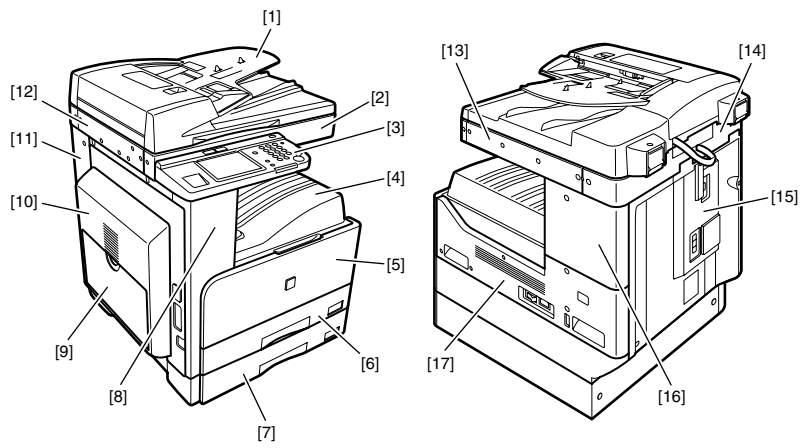
[1]	Drum unit	---	1	[6]	Document size label	---	1
[2]	Power cable	---	1	[7]	Finger pinch caution label	---	1
[3]	Ferrite core	---	1	[8]	Scan glass cleaning label	---	1
[4]	Cassette size label	---	2(1)	[9]	Black streak cleaning instruction label	---	1
[5]	Caution sheet	---	2(1)				

\*1: iR2020i: 2 pc., iR2016i: 1 pc.

Check the documentation and CD against the following table:

Operators manual: User's Guide
Operators manual: Network Quick Start Guide
Drum Unit Replacing Guide
Operators manual CD-ROM
Driver/Utility CD-ROM (UFR)
Driver/Utility CD-ROM (PCL)

#### 1-3 Names of Parts



F-2-6

- |     |                    |      |                     |
|-----|--------------------|------|---------------------|
| [1] | DADF               | [10] | Left door           |
| [2] | Reader front cover | [11] | Left cover (rear)   |
| [3] | Control panel      | [12] | Reader left cover   |
| [4] | Delivery tray      | [13] | Reader right cover  |
| [5] | Front cover        | [14] | Reader rear cover   |
| [6] | Cassette 1         | [15] | Rear cover          |
| [7] | Cassette 2         | [16] | Right cover (upper) |
| [8] | Left cover (front) | [17] | Right cover (lower) |
| [9] | Manual feed tray   |      |                     |

(\*2)

\*2: iR2020i only

## 2.2 Unpacking and Installation

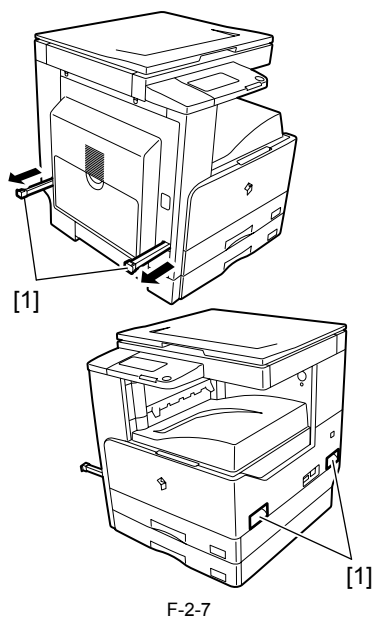
### 2.2.1 Unpacking and Removing the Packaging Materials

iR2016J / iR2016 / iR2020 /

- 1) Unpack the machine and remove vinyl, cushioning materials, and tape.
- 2) Hold the handles [1] of the machine together with one or more persons and take it out.



The maximum weight of this machine is approximately 46kg. Two or more persons are required to lift the machine.



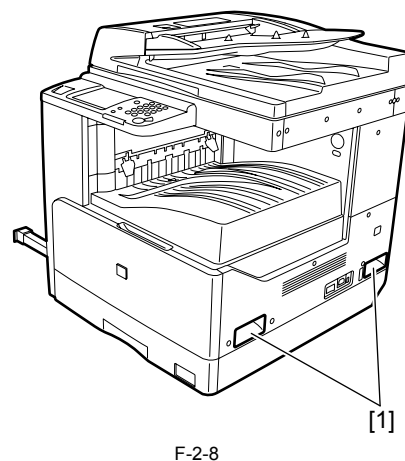
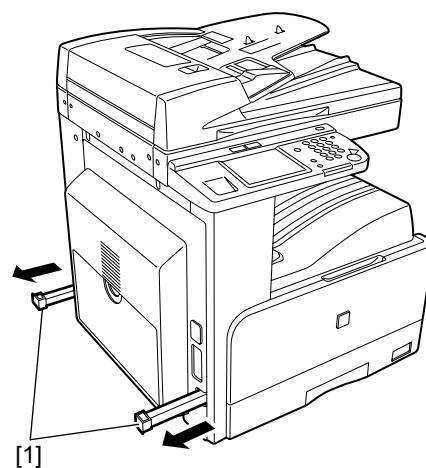
### 2.2.2 Unpacking and Removing the Packaging Materials

iR2016i / iR2020i

- 1) Unpack the machine and remove vinyl, cushioning materials, and tape.
- 2) Hold the handles [1] of the machine together with one or more persons and take it out.



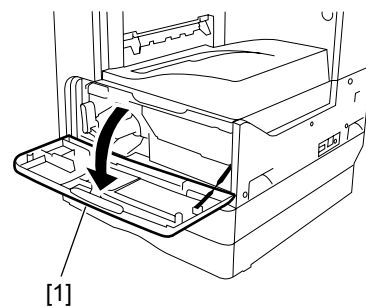
The maximum weight of this machine is approximately 52kg. Two or more persons are required to lift the machine.



### 2.2.3 Installing the Drum Unit

iR2016J / iR2016 / iR2020 / iR2016i / iR2020i

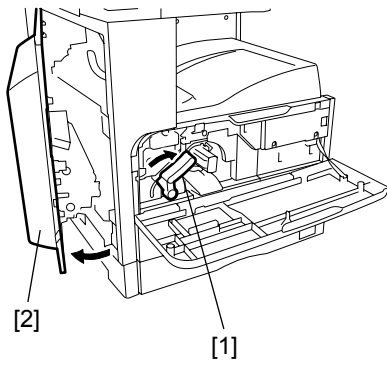
- 1) Open the front cover [1] of the iR body.



- 2) Turn the developer pressure release lever [1] clockwise, and then open the left door [2] until it stops.



The left door must be opened fully to prevent the drum from being damaged while it is inserted into the drum unit.

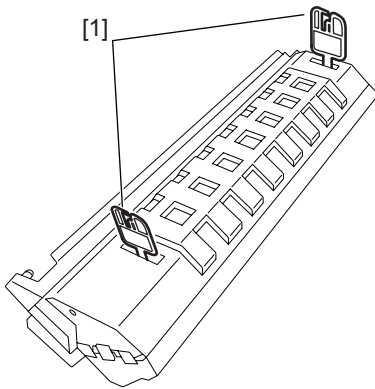


F-2-10

3) Open the packaging bag of the new drum unit, take the new drum out of it, and then remove packing tape.

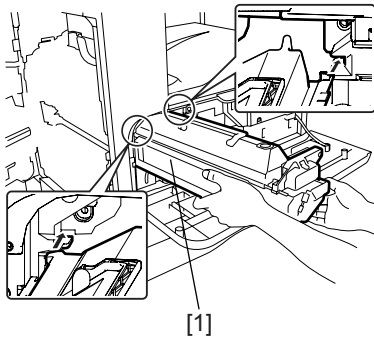


The drum unit for Asia/Oceania is provided with pressure release hooks [1]. Remove them. Drum units for other regions are not provided with the pressure release hooks.



F-2-11

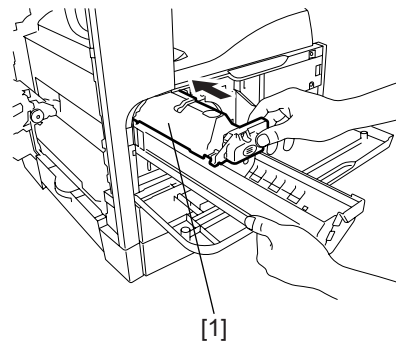
4) Holding the protective cover [1] of the new drum unit, place the drum unit against the iR body.



F-2-12

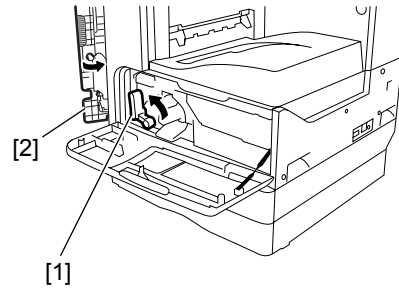
5) While holding the protective cover, insert the new drum unit [1] into the iR body.

**MEMO:**  
The protective cover will not be reused.



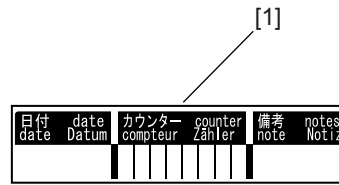
F-2-13

6) Turn the developer pressure release lever [1] counterclockwise, and then close the left door [2].



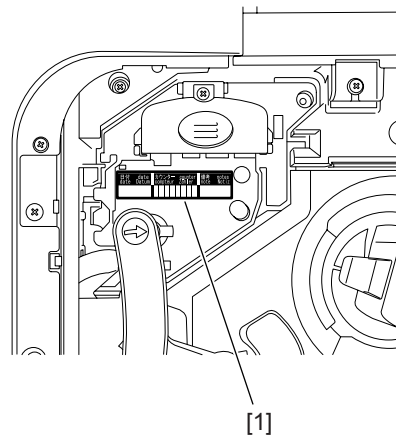
F-2-14

7) Enter the date in the drum counter label [1].



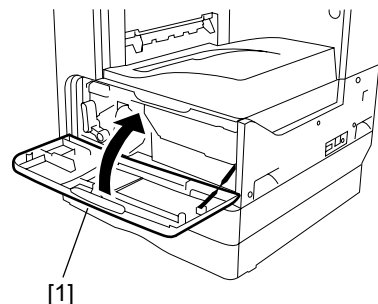
F-2-15

8) Affix the drum counter label [1] on the drum unit.



F-2-16

9) Close the front cover [1].



F-2-17

## 2.2.4 Installing the Toner Bottle

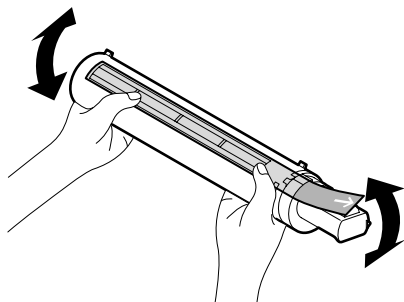
iR2016J / iR2016 / iR2020 /



If the machine is installed in a low-temperature, low-humidity place, the image density may be slightly lower than usual on the first approx. 100 sheets printed after installation of the machine.

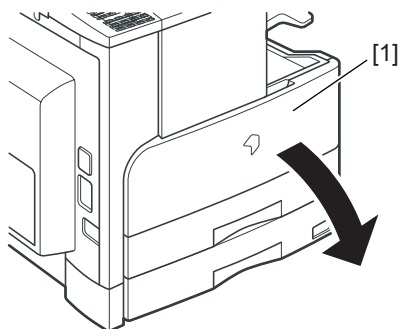
When installing the machine in a low-temperature, low-humidity environment, perform the steps mentioned in **<Going through the Developer Idling Mode>** (provided after step 6 in this section) **before installing the toner bottle.**

- 1) Shake the toner bottle 5-6 times.



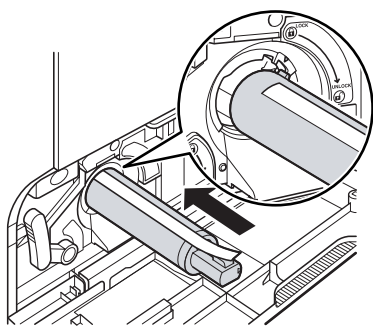
F-2-18

- 2) Open the front cover [1].



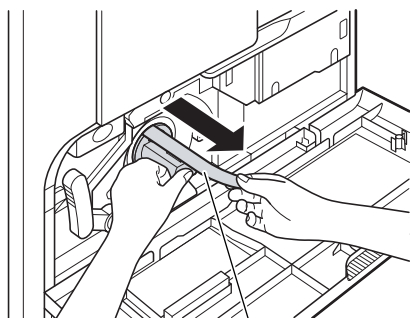
F-2-19

- 3) Insert the toner bottle.



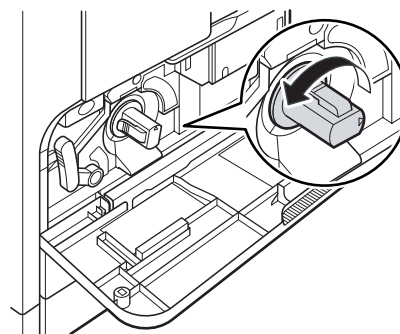
F-2-20

- 4) While holding the toner bottle, pull the seal [1] to remove it.



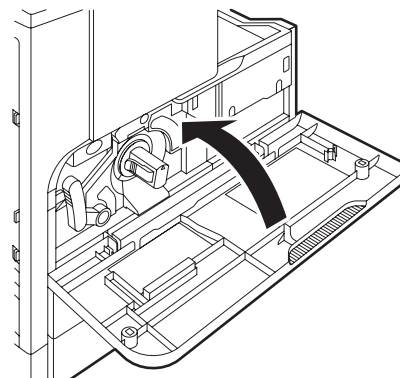
F-2-21

- 5) Turn the toner cartridge in the direction of the arrow until it stops.



F-2-22

- 6) Close the front cover.



F-2-23

### <Going through the Developer Idling Mode>



When installing the machine in a low-temperature, low-humidity environment, go through the developer idling mode **before installing the toner bottle** in order to prevent the density from becoming low on the first approx. 100 sheets.

- 1) Plug the power cord into the outlet.
  - 2) Open the front cover.
  - 3) With the front cover open, turn on the main power switch.
  - 4) When a message appears on the control panel display, press the following keys to enter the service mode:  
Additional functions key > 2 key > 8 key > Additional functions key
  - 5) Select "#PRINT" using the + or - key, and then press the OK key.
  - 6) Select "#PRINT SW" using the + or - key, and then press the OK key. Confirm that the following message is displayed:  
Message: #PRINT SW 001 00000000
  - 7) Press the following keys and confirm the message:  
# key > 1 key > 1 key  
Message: #PRINT SW 011 00000000
  - 8) Position the cursor to Bit-1 (second from right) using the + or - key, and press the 1 key, and then confirm the following message:  
Message: #PRINT SW 011 00000010
  - 9) Press the OK key. Confirm that "SW 011" changes to "SW 012".  
Message: #PRINT SW 012 00000000
  - 10) Press the Reset key to exit the service mode.
  - 11) Close the front cover. The machine will run in the developer idling mode for about 1 minute.
  - 12) When the machine stops, the idling mode ends.
- Install, the toner cartridge following the above-mentioned procedure.

## 2.2.5 Installing the Toner Bottle

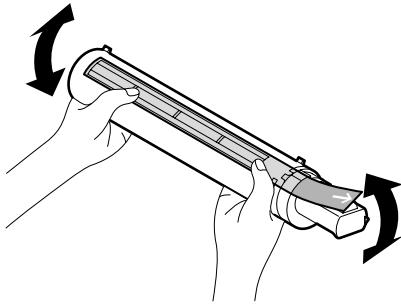
iR2016i / iR2020i



If the machine is installed in a low-temperature, low-humidity place, the image density may be slightly lower than usual on the first approx. 100 sheets printed after installation of the machine.

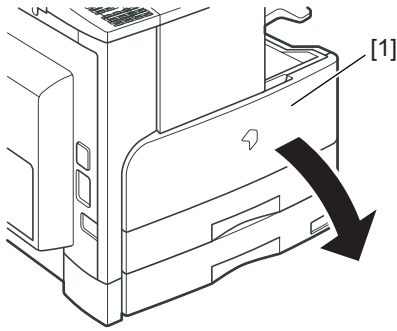
When installing the machine in a low-temperature, low-humidity environment, perform the steps mentioned in **<Going through the Developer Idling Mode>** (provided after step 6 in this section) **before installing the toner bottle.**

- 1) Shake the toner bottle 5-6 times.



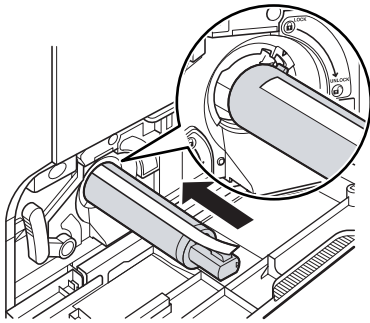
F-2-24

2) Open the front cover [1].



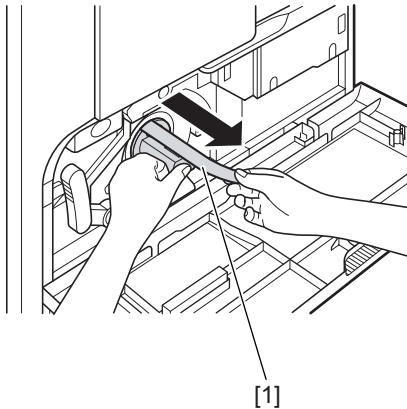
F-2-25

3) Insert the toner bottle.



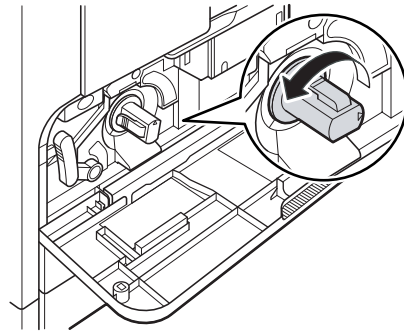
F-2-26

4) While holding the toner bottle, pull the seal [1] to remove it.



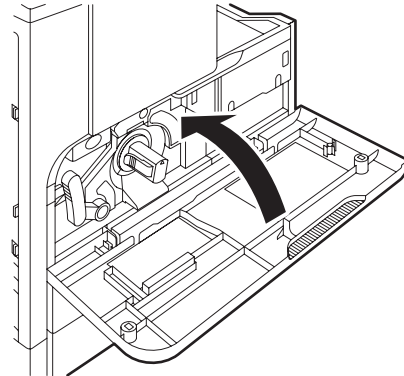
F-2-27

5) Turn the toner cartridge in the direction of the arrow until it stops.



F-2-28

6) Close the front cover.



F-2-29

<Going through the Developer Idling Mode>



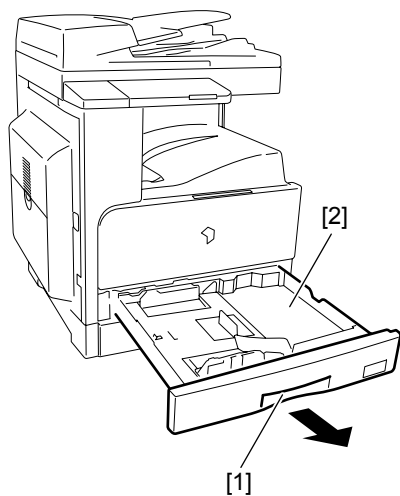
When installing the machine in a low-temperature, low-humidity environment, go through the developer idling mode before installing the toner bottle in order to prevent the density from becoming low on the first approx. 100 sheets.

- 1) Plug the power cord into the outlet.
- 2) Open the front cover.
- 3) With the front cover open, turn on the main power switch.
- 4) When a message appears on the control panel display, press the following keys to enter the service mode:  
 $\odot$  > 2 key > 8 key >  $\odot$
- 5) Select "#PRINT" using  $\blacktriangleleft$  or  $\blacktriangleright$ , and then press the OK.
- 6) Select "#PRINT SW" using  $\blacktriangleleft$  or  $\blacktriangleright$ , and then press the OK. Confirm that the following message is displayed:  
 Message: #PRINT SW 001 00000000
- 7) Press the following keys and confirm the message:  
 # key > 1 key > 1 key  
 Message: #PRINT SW 011 00000000
- 8) Position the cursor to Bit-1 (second from right) using  $\blacktriangleleft$  or  $\blacktriangleright$ , and press the 1 key, and then confirm the following message:  
 Message: #PRINT SW 011 00000010
- 9) Press the OK. Confirm that "SW 011" changes to "SW 012".  
 Message: #PRINT SW 012 00000000
- 10) Press the Reset key to exit the service mode.
- 11) Close the front cover. The machine will run in the developer idling mode for about 1 minute.
- 12) When the machine stops, the idling mode ends.  
 Install, the toner cartridge following the above-mentioned procedure.

## 2.2.6 Setting the Cassettes

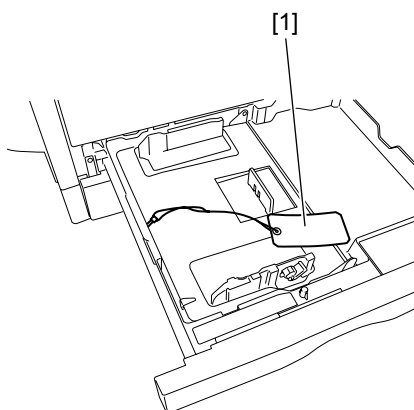
iR2016J / iR2016 / iR2020 // iR2016i / iR2020i

- 1) Holding the knob [1] at the center of the cassette, draw out the cassette [2] until it stops.



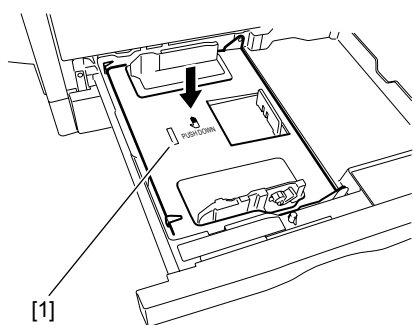
F-2-30

- 2) Remove the wire [1] securing the inner plate of the cassette.



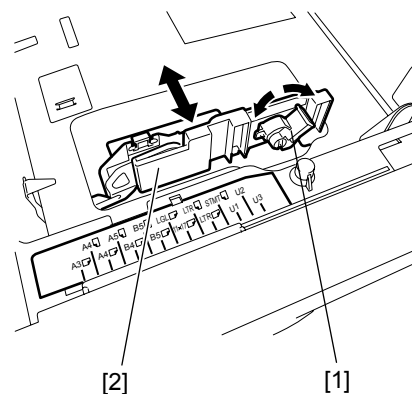
F-2-31

- 3) Press the "PUSH DOWN" mark [1] on the inner plate to lock it into the cassette.



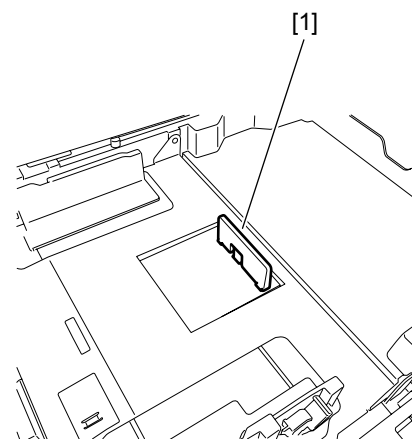
F-2-32

- 4) Turn the lever [1] of the paper front guide counterclockwise to release it. Slide the paper front guide [2] to fit to the size of the paper to be used, and then turn the lever clockwise to lock it.



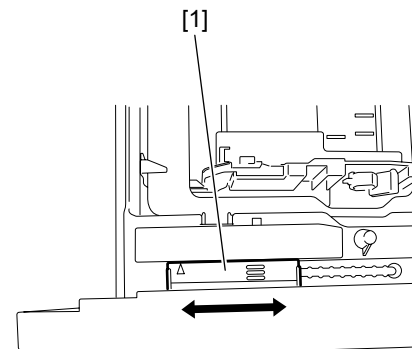
F-2-33

- 5) Turn the paper trailing edge registration plate [1] to the left to remove it. Re-attach it to fit to the size of the paper to be loaded.



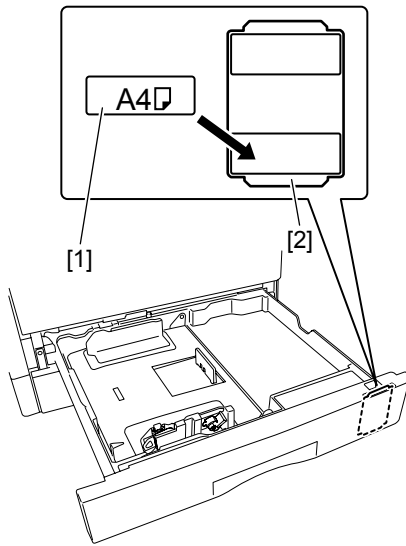
F-2-34

- 6) Slide the paper size detection lever [1] to fit to the paper size.



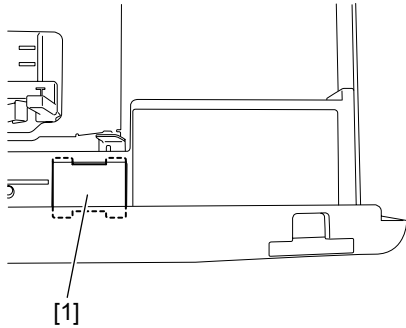
F-2-35

- 7) Affix the cassette size label [1] to the paper size indication plate [2].



F-2-36

8) Affix the caution sheet printed in an appropriate language.

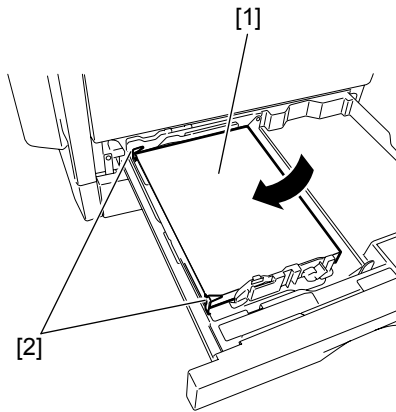


F-2-37

9) Align the left, right, and leading edges of sheets and load the stack of paper in the cassette. Make sure that the paper is below the claws of the cassette.

**MEMO:**

Inserting the cassette into the iR body with the inner plate locked into the cassette will unlock the inner plate automatically. If the inner plate is not locked, press the "PUSH DOWN" mark [1] on the inner plate to lock it into the cassette and then load paper.



F-2-38

10) Holding the knob at the center of the cassette, insert the cassette in the iR body until it stops.

**2.2.7 Attaching the Ferrite Core**

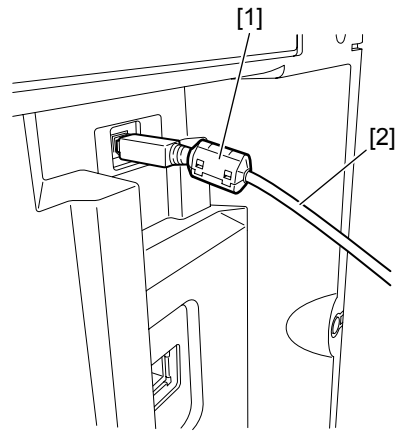
iR2016 / iR2020

(iR2020/iR2016 only for North America, Latin America, and Asia)

1) Attach the ferrite core [1] to the USB cable [2].



To suppress noise, attach the ferrite core as close as possible to the USB port of the iR body.



F-2-39

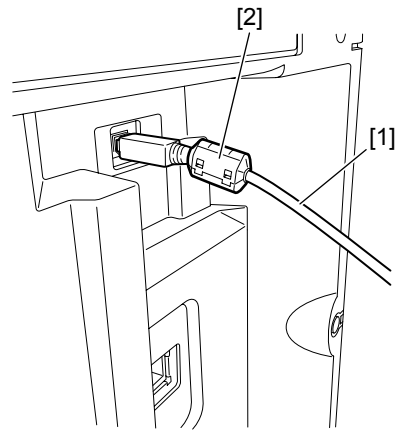
**2.2.8 Attaching the Ferrite Core**

iR2016i / iR2020i

1) Attach the ferrite core [2] to the user's USB cable, and then connect the USB cable to the USB port of the host machine.



To reduce noise, attach the ferrite core as close to the USB port of the host machine as possible.



F-2-40

**2.2.9 Checking the Image Quality**

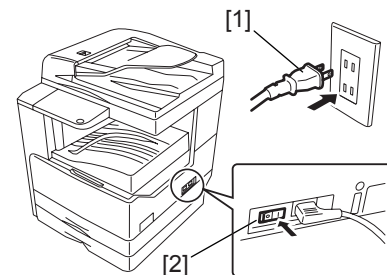
iR2016J / iR2016 / iR2020 / iR2016i / iR2020i

1) Plug the power cord into the outlet, and then turn on the main power switch [2].

Supply of toner will start after the initial rotation. After a few minutes, supply of toner finishes and the machine stops automatically.



Use the specified power supply (rated voltage +/-10% and rated current).



F-2-41

2) Place a document on the document glass, take a copy of it by supplying paper from the cassette or manual feed tray, and check the printed image. Also perform the following checks:  
- Check whether abnormal sound is heard.



- Check the printed images at all preset magnifications.
- Check whether the document is copied normally on the specified number of sheets.



### 2.2.10 Setting the Country/Region

iR2016J / iR2016 / iR2020 /

- 1) Press the following keys to display the service mode screen:  
Additional Functions Key > 2 Key > 8 Key > Additional Functions Key
- 2) Select "# CLEAR" using the + or - key, and then press the OK key.
- 3) Select "TYPE" using the + or - key, and then press the OK key.
- 4) Using the + or - key, select the country/region type that conforms to the communication standard used in the country/region where the machine is used.
- 5) Press the OK key. When "Please Wait" disappears, the selected country/region type takes effect.

### 2.2.11 Setting the Country/Region

iR2016i / iR2020i

- 1) Press the following keys to display the service mode screen:  
 > 2 Key > 8 Key > 
- 2) Select "# CLEAR" using ◀ or ▶, and then press the OK.
- 3) Select "TYPE" using ◀ or ▶, and then press the OK.
- 4) Using ◀ or ▶, select the country/region type that conforms to the communication standard used in the country/region where the machine is used.
- 5) Press the OK. When "Please Wait" disappears, the selected country/region type takes effect.


### 2.2.12 Setting the Date and Time

iR2016J / iR2016 / iR2020 /

- 1) Press the additional functions keys to display the user mode screen.
- 2) Select "4. TIMER SETTINGS" using the + or - key, and then press the OK key.
- 3) Select "1. DATE&TIME SETTING" using the + or - key, and then press the OK key. The set date and time appears.
- 4) Enter the current date and time by moving the cursor to the characters you want to enter with the + and - keys.
- 5) Press the OK key to allow the entered date and time to take effect.

### 2.2.13 Setting the Date and Time

iR2016i / iR2020i

- 1) Press  key to display the user mode screen.
- 2) Select "TIMER SETTINGS" and then press the OK.
- 3) Select "DATE&TIME SETTING", and then press the OK. The set date and time appears.
- 4) Enter the current date and time with the ten keys.
- 5) Press the OK to allow the entered date and time to take effect.

### 2.2.14 Attaching Other Parts

iR2016i / iR2020i

#### a. Finger pinch caution label

- 1) Open the DADF and affix the supplied finger pinch caution label.



Affix the label printed in the user-selected language.



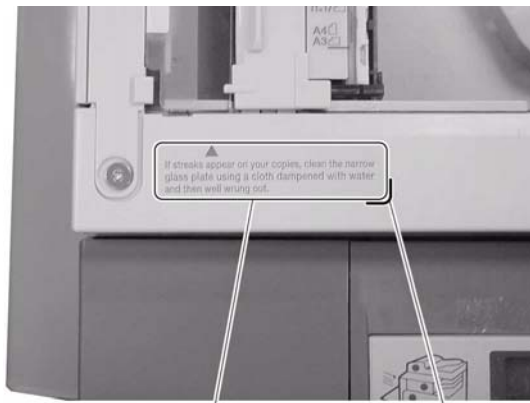
F-2-42

#### b. Scan glass cleaning label

- 1) Affix the supplied scan glass cleaning label [1] to the reader front cover with it aligned with the mark-off line [2].



Affix the label printed in the user-selected language.



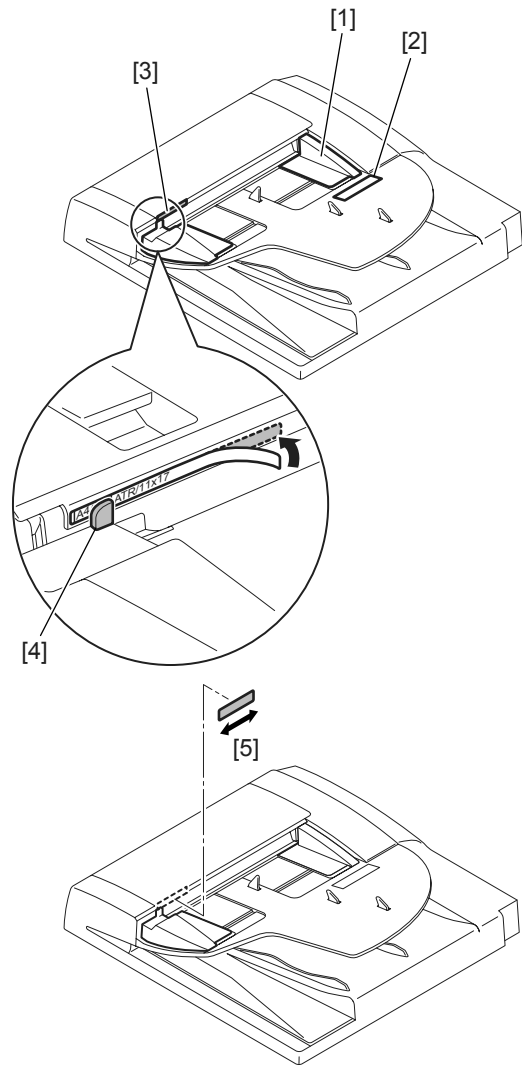
F-2-43

#### c. Document size label

The purpose of this label is to facilitate the size adjustment made from the view point of each user.

- 1) Align the side guide (rear) [1] to "A4/A3" "LTR/11X17" [2].
- 2) Affix the label of the series matching the document size label [3] to the feeder cover.

Adjust the label position by moving it back and forth (in the direction of the arrow [5]) according to the view point of the user so that the indicator [4] on the side guide (front) meets the indicator on the size label, and then affix the label securely.

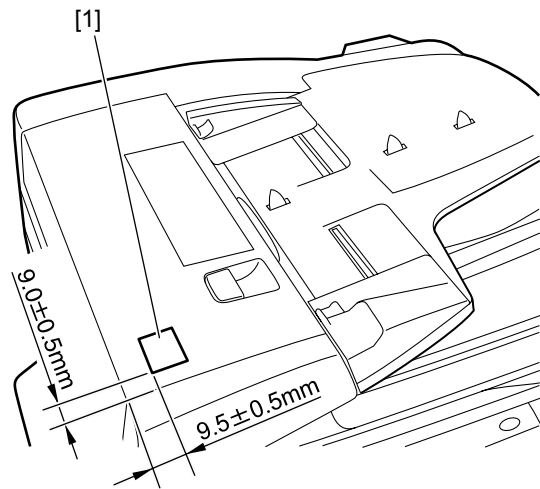


F-2-44

#### d. Black streak cleaning instruction label

- 1) Affix the black streak cleaning instruction label [1] to the feeder cover of the DADF.

Affix the label printed in the user-selected language.



F-2-45

## 2.3 Checking the Connection to the Network

### 2.3.1 Checking the Network Connection

iR2016 / iR2020

---

If the machine supports a network feature, check the network connection following the procedure below.

- 1) Press the following keys to display the service mode screen:  
Additional Functions Key > 2 Key > 8 Key > Additional Functions Key
- 2) Select "# REPORT" using the + or - key, and then press the OK key.
- 3) Select "REPORT OUTPUT" using the + or - key, and then press the OK key.
- 4) Select "SPEC LIST" using the + or - key, and then press the OK key.
- 5) When "SPEC REPORT" is displayed, check that "BDL-IMAGE" is set to ON.

---

MEMO:

"SPEC REPORT"

- TOTAL MEMORY: 128MB  
BDL-IMAGE (600) must be set to ON.
- TOTAL MEMORY: 256MB  
BDL-IMAGE (1200) must be set to ON.



- 
- 6) Contact the system administrator of the customer to make network settings.

### 2.3.2 Checking the Network Connection



iR2016i / iR2020i

If the machine supports a network feature, check the network connection following the procedure below.

1) Press the following keys to display the service mode screen:

 > 2 Key > 8 Key > 

2) Select "# REPORT" using  or , and then press the OK.

3) Select "REPORT OUTPUT" using  or , and then press the OK.

4) Select "SPEC LIST" using  or , and then press the OK.

5) When "SPEC REPORT" is displayed, check that "BDL-IMAGE" is set to ON.

---

MEMO:

"SPEC REPORT"

BDL-IMAGE (1200) must be set to ON.

---

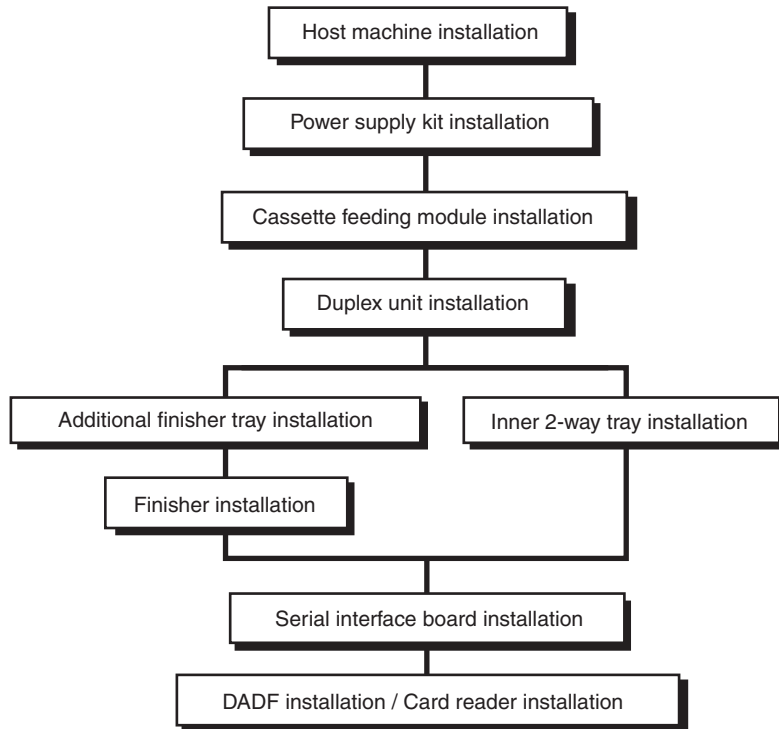
6) Contact the system administrator of the customer to make network settings.

## 2.4 Flow of Accessory Installation

### 2.4.1 Flow of Accessory Installation

iR2016J /

If you are going to install any accessory after installing the host machine, follow the following flow of work so that the work will become effective.

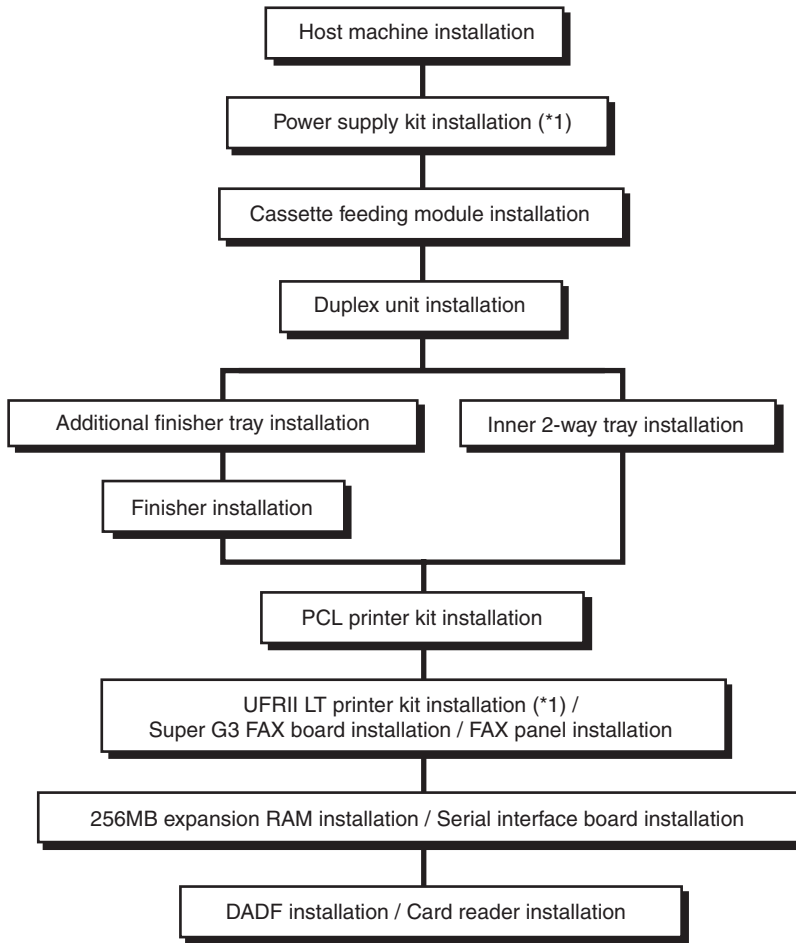


F-2-46

### 2.4.2 Flow of Accessory Installation

iR2016 / iR2020

If you are going to install any accessory after installing the host machine, follow the following flow of work so that the work will become effective.



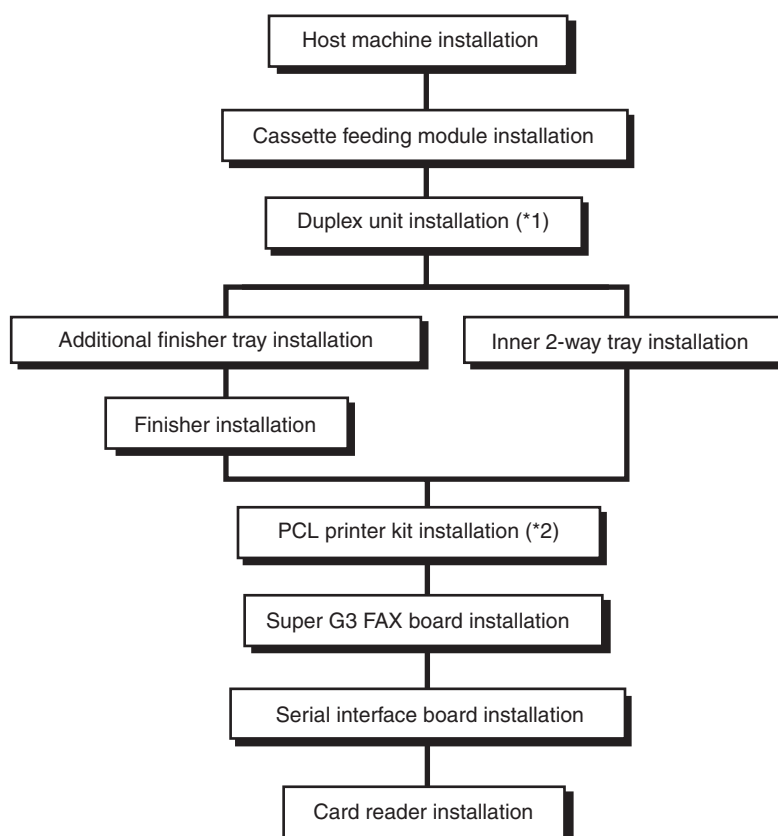
\*1: This accessory comes standard with the iR2020/iR2016 for North America, Latin America and Asia.

F-2-47

### 2.4.3 Flow of Accessory Installation

iR2016i / iR2020i

If you are going to install any accessory after installing the host machine, follow the following flow of work so that the work will become effective.



\*1: This accessory comes standard with the iR2020i and iR2016i for North America.

\*2: This accessory comes standard with the iR2020i and iR2016i for North America and Europe.

F-2-48

## 2.5 Installing the Card Reader

### 2.5.1 Points to Note

iR2016J / iR2016 / iR2020 / / iR2016i / iR2020i

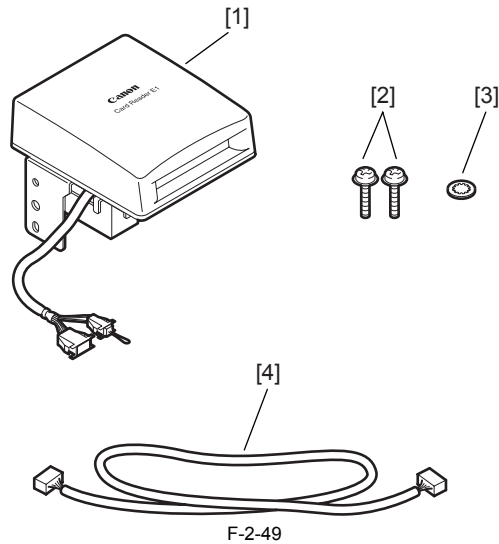


When installing the card reader, the card reader attachment-D1 is required.

### 2.5.2 Checking the Contents

iR2016J / iR2016 / iR2020 / / iR2016i / iR2020i

<Card reader-E1>

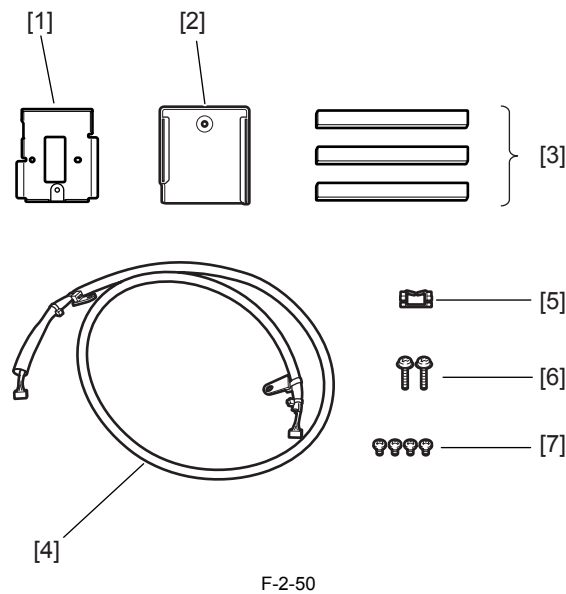


[1]	Card reader-E1	1 pc.
[2]	TP screw (M3x12)	1 pc.
[3]	Toothed washer	1 pc.
[4]	Repeating harness A	1 pc.



The repeating harness, TP screw (M3x12), and toothed washer are not used.

<Card reader attachment-D1>



[1]	Card reader mount	1 pc.
[2]	Card reader cover	1 pc.

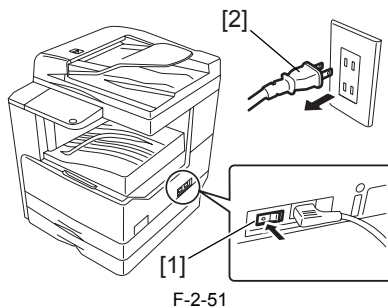


[3]	Harness cover (base + lid)	3 pcs.
[4]	Repeating harness B	1 pc.
[5]	Edge saddle	1 pc.
[6]	TP screw	2 pcs.
[7]	Binding screw (M4x6)	4 pcs.

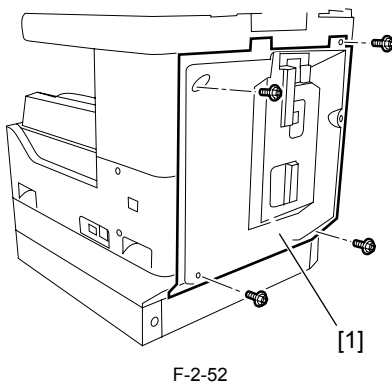
### 2.5.3 Installation Procedure

iR2016J / iR2016 / iR2020 / / iR2016i / iR2020i

1) Turn off the main power switch [1] of the host machine and disconnect the power plug [2] from the outlet.

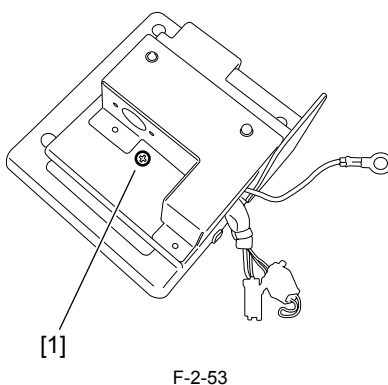


2) Remove the four screws, and then detach the rear cover [1].

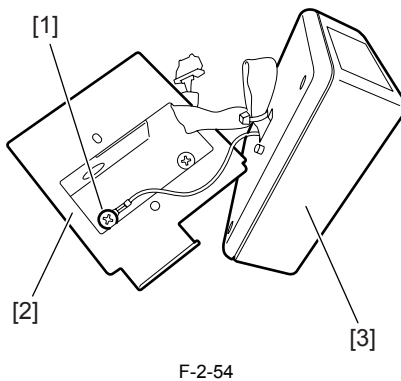



3) Remove the screw [1] from the card reader.

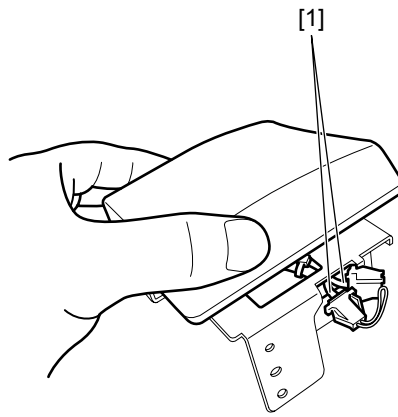
MEMO:  
The removed screw will be used later.



4) Remove the screw [1] securing the ground cable, and then separate the card reader [3] from the card reader mount [2].




 When removing the harness [1] through the opening in the card reader mount, take care not to cut or damage it.

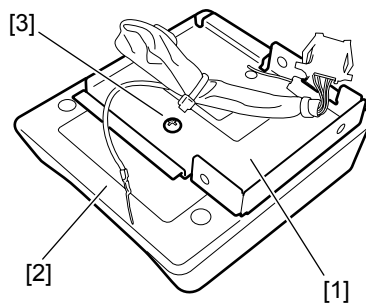


F-2-55

MEMO:  
The removed card reader mount is no longer necessary.

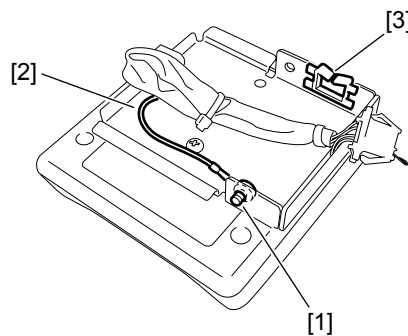
5) Insert the card reader [2] harness and ground cable into the hole in the supplied card reader mount [1]. Using the screw [3] removed in step 1, secure the card reader to the card reader mount.

 When inserting the card reader [2] harness and ground cable, take care not to cut or damage them.




F-2-56

6) Using the supplied binding screw (M4x6) [1], connect the ground cable to the reader mount. Attach the supplied edge saddle [3] to the card reader mount.

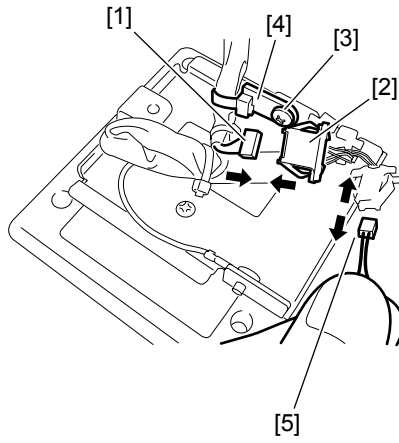


F-2-57

7) Connect the connector [1] of the supplied repeating harness B to the connector [2] on the card reader. Using the supplied binding screw (M4x6), secure the repeating harness B clamp [4]. Disconnect the shorting connector [5].

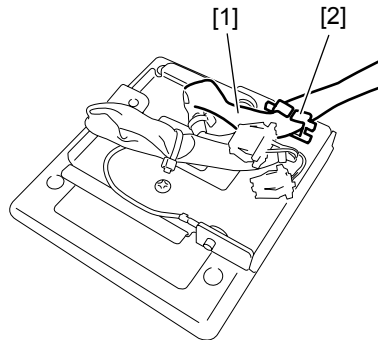
 If the shorting connector [5] is not disconnected, a malfunction or error can result. Therefore, the shorting connector must be disconnected.

MEMO:  
The removed shorting connector is no longer necessary.



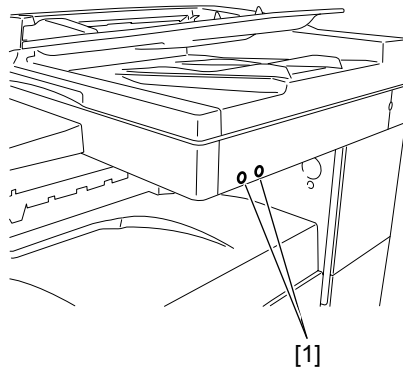
F-2-58

8) Secure the repeating harness B [1] with the wire saddle [2].



F-2-59

9) Remove the two blind seals [1] from the reader left cover.

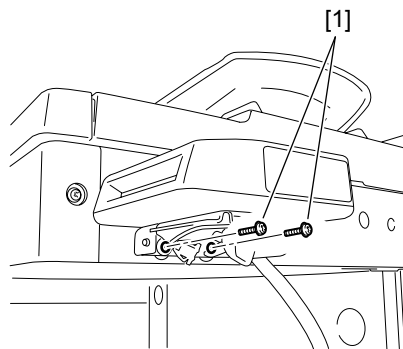


F-2-60

10) Using the two supplied TP screws (M4x16), attach the card reader to the reader.

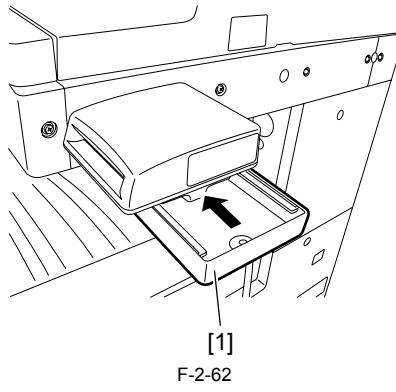


When tightening the screws, take care not to damage the repeating harness B.

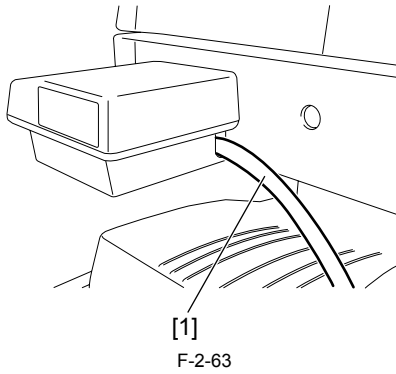


F-2-61

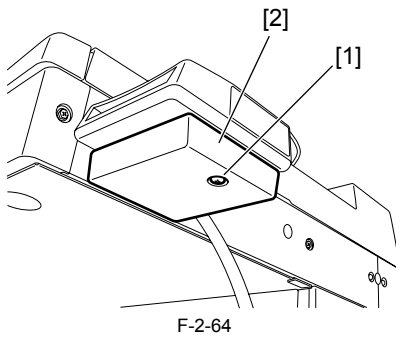
11) Slide the card reader cover [1] to attach it to the card reader mount.



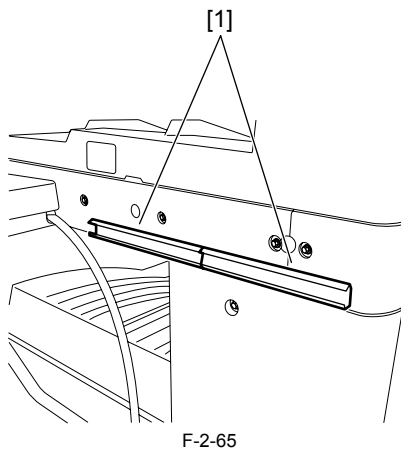
Route the repeating wire B [1] as shown below.



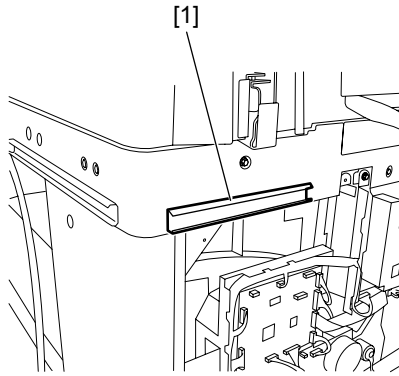
12) Using the supplied binding screw (M4x6), secure the card reader cover [2].



13) Affix the two supplied harness covers (bases) at the right rear of the machine with it aligned with the bottom line of the reader.

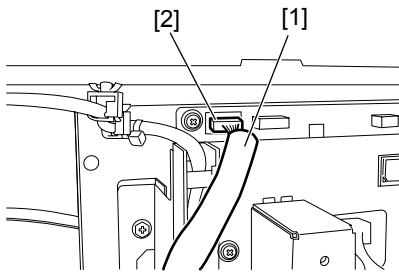


14) Affix the supplied harness cover (base) [1] at the back of the machine with it aligned with the bottom line of the reader.



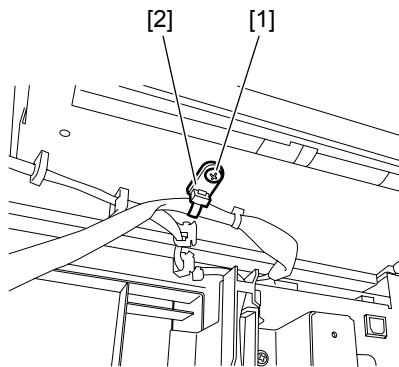
F-2-66

15) Connect the connector of the repeating harness B [1] to the connector J317 [2] on the image processor PCB.



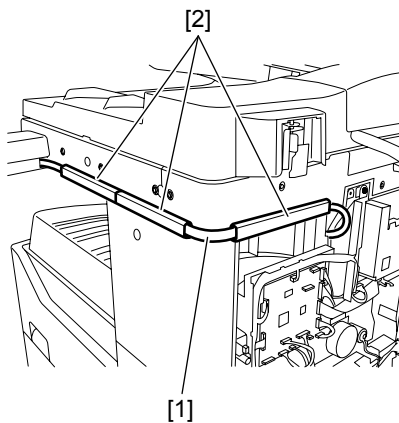
F-2-67

16) Using the supplied binding screw (M4x6) [1], secure the repeating harness B clamp [2].



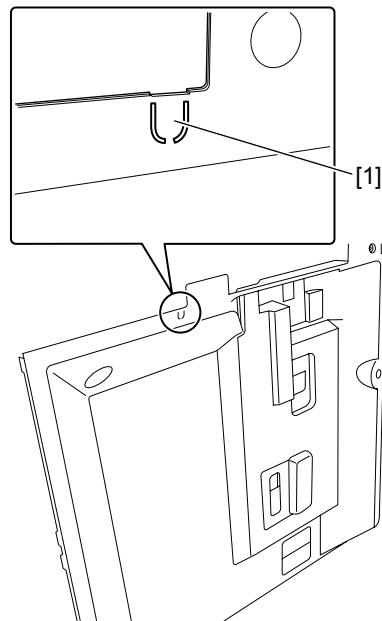
F-2-68

17) Using the three harness covers (lids) [2], secure the repeating harness B [1] to the harness covers (bases).



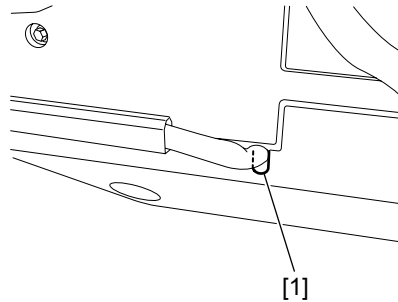
F-2-69

18) Using a nipper, remove the precut portion [1] of the rear cover as shown below.



F-2-70

19) Attach the rear cover with the repeating harness B routed through the cut portion of the rear cover.



F-2-71

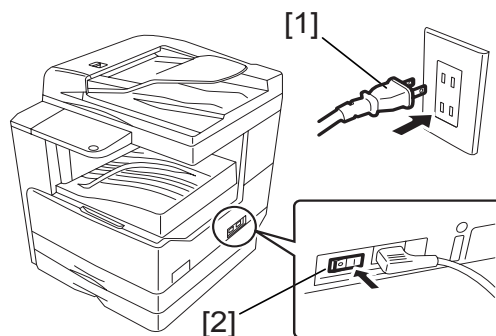
### 2.5.4 Registering the Card IDs

iR2016J / iR2016 / iR2020 /



After installing the card reader-E1, register the card numbers to be used in the service mode of the iR body. If they are not registered, cards will not be recognized when inserted.

1) Plug the power cord [1] into the outlet, and then turn on the main power switch [2].



F-2-72

- 2) Press the following keys to display the service mode screen:  
 Additional Functions Key > 2 Key > 8 Key > Additional Functions Key
- 3) Select "# ACC" using the + and - key, and then press the OK key.
- 4) Select "CARD" using the + and - key, and then press the OK key.
- 5) Specify the first ID number of the card ID numbers to be registered, and then press the OK key.  
 Sequential Card ID numbers of 100 cards(\*) are automatically registered in the department ID, starting with the specified card ID number.  
 \* When an optional ROM is added, card ID numbers of 1000 cards are registered.
- 6) Press the Additional Functions key to enter the user mode.
- 7) Select "SYSTEM SETTINGS" using the + and - key, and then press the OK key.
- 8) Select "MANAGE DEPT. ID" using the + and - key, and then press the OK key.
- 9) Select "ON" using the + and - key, and then press the OK key.
- 10) Turn main power switch off and on again. Check that "INSERT CARD" appears.

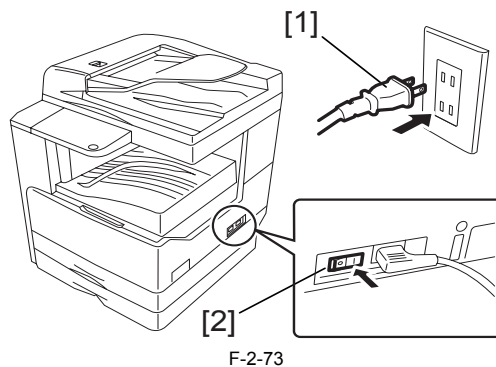
## 2.5.5 Registering the Card IDs

iR2016i / iR2020i



After installing the card reader-E1, register the card numbers to be used in the service mode of the iR body. If they are not registered, cards will not be recognized when inserted.

- 1) Plug the power cord [1] into the outlet, and then turn on the main power switch [2].



- 2) Press the following keys to display the service mode screen:

ⓧ > 2 Key > 8 Key > ⓧ

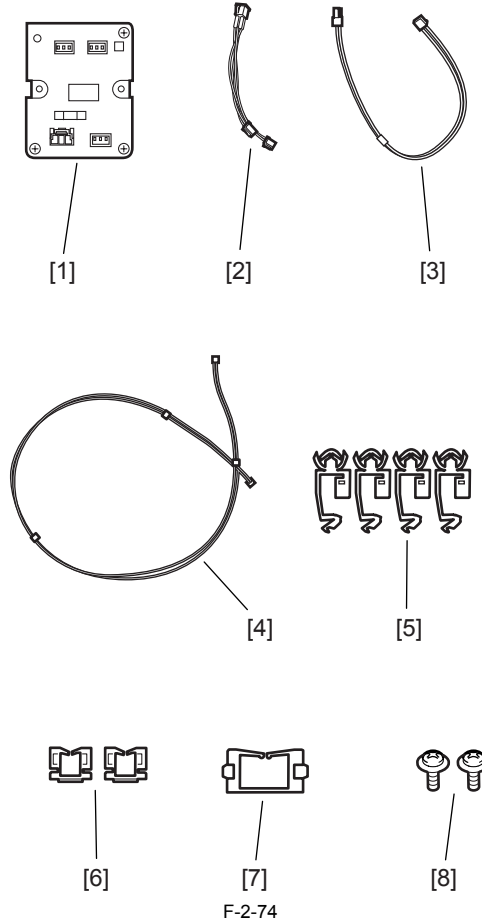
- 3) Select "# ACC" using ◀ and ▶, and then press the OK.
- 4) Select "CARD" using ◀ and ▶, and then press the OK.
- 5) Specify the first ID number of the card ID numbers to be registered, and then press the OK.  
Sequential Card ID numbers of 1000 cards are automatically registered in the department ID, starting with the specified card ID number.
- 6) Press ⓧ key to enter the user mode.
- 7) Select "System Settings."
- 8) Select "Department ID Management."
- 9) Select "ON" and then press the OK.
- 10) Turn main power switch off and on again. Check that "Insert Card" appears.

## 2.6 Installing the Heater PCB

### 2.6.1 Preparing the parts

iR2016J / iR2016 / iR2020 / / iR2016i / iR2020i

1) Prepare the following parts.



[1]	Heater PCB unit	1 pc.
[2]	Heater switch harness	1 pc.
[3]	Cassette heater harness	1 pc.
[4]	Heater PCB harness	1 pc.
[5]	Clamp	4 pcs.
[6]	Edge saddle (small)	2 pcs.
[7]	Edge saddle (large)	1 pc.
[8]	P screw (M3x8)	2 pcs.

### 2.6.2 Preparing the Host Machine

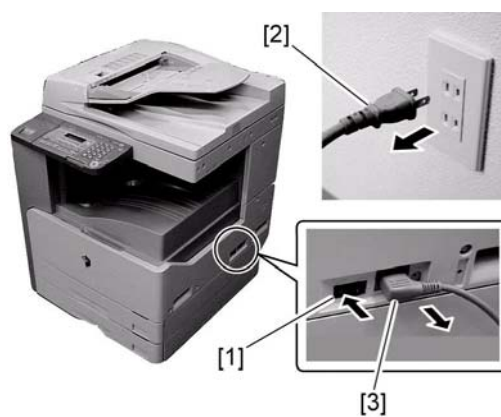
iR2016J / iR2016 / iR2020 / / iR2016i / iR2020i



Before installing, make sure the host machine is turned off. If it is turned on, go through the following:

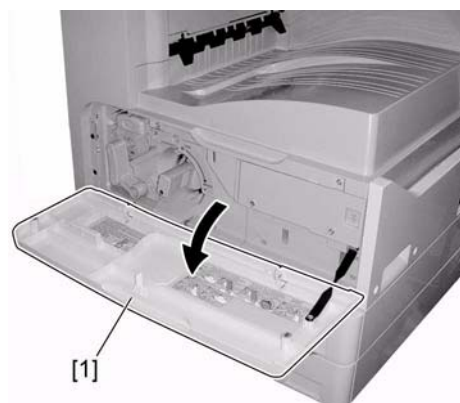
1. Turn off the main power switch.
2. Disconnect the power cable (from the power outlet).
3. Disconnect the power cable.





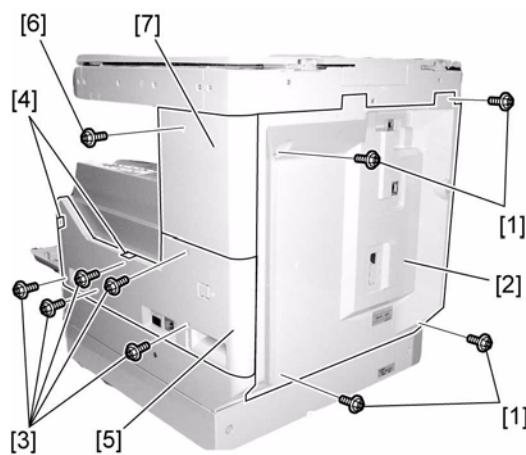
F-2-75

1) Open the front cover [1].



F-2-76

2) Remove the four screws [1], and then detach the rear cover [2].  
 3) Remove the five screws [3], Remove the two hooks [4], and then detach the lower-right cover [5].  
 4) Remove the screw [6], and then detach the upper-right cover [7].

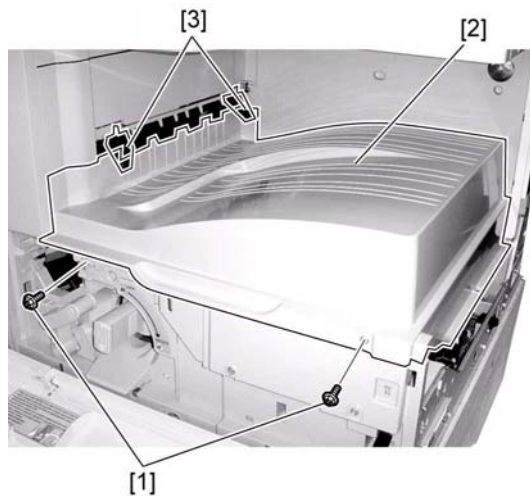


F-2-77

5) Remove the two screws [1], and then the delivery tray [2].

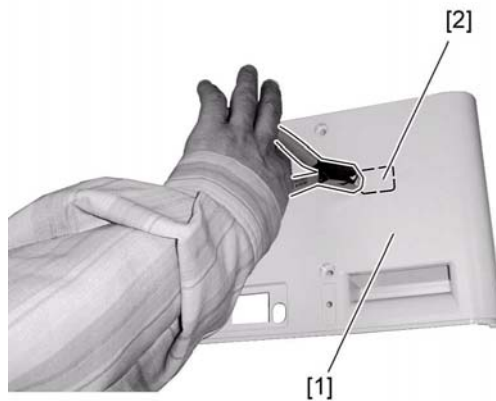


When removing or reinstalling the delivery tray, be careful not to damage the paper holder [3].



F-2-78

6) Using a nipper or the like, cut out the face plate [2] (used to install a heater switch) on the lower-right cover [1].



F-2-79

### 2.6.3 Installing the Heater PCB

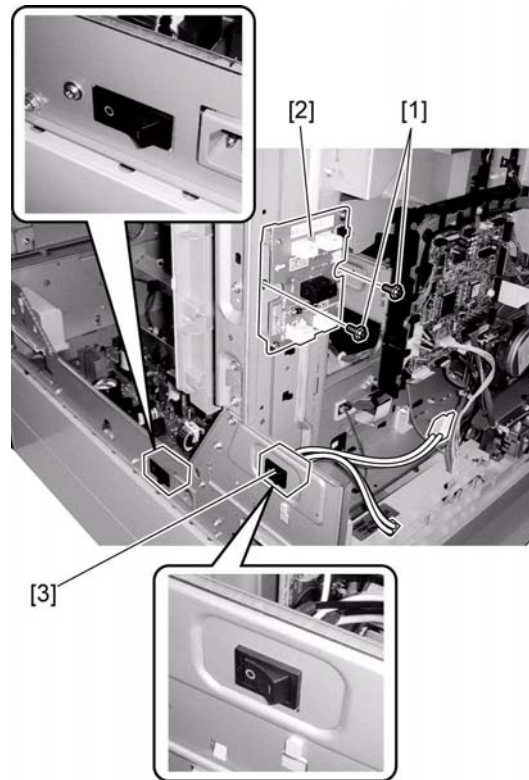
iR2016J / iR2016 / iR2020 / / iR2016i / iR2020i

- 1) Install the heater PCB unit [2] using the two supplied TP screws (M3x8) [1].
- 2) Install the heater switch [3] on the right side panel.



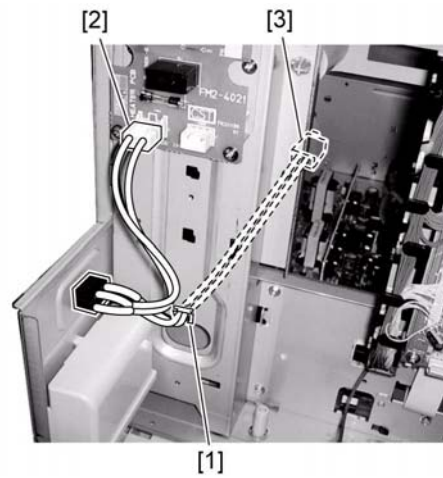
Install the heater switch with the OFF position on the left and the ON position on the right just like the main power switch.

---



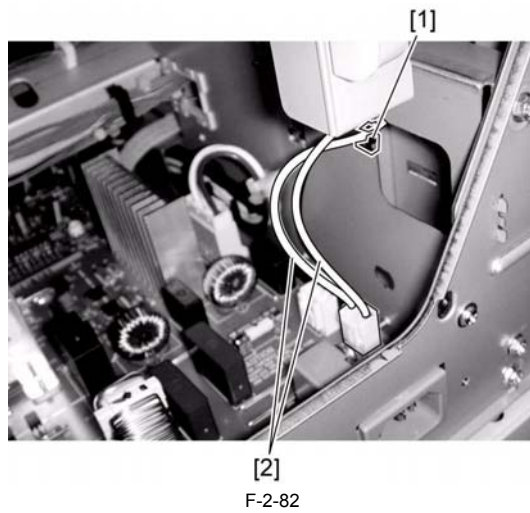
F-2-80

- 3) Install the edge saddle (large) [1] and connect one heater switch harness [2] to the connector (J1901) on the heater PCB. Route the other harness [3] to the front of the host machine through the saddle.



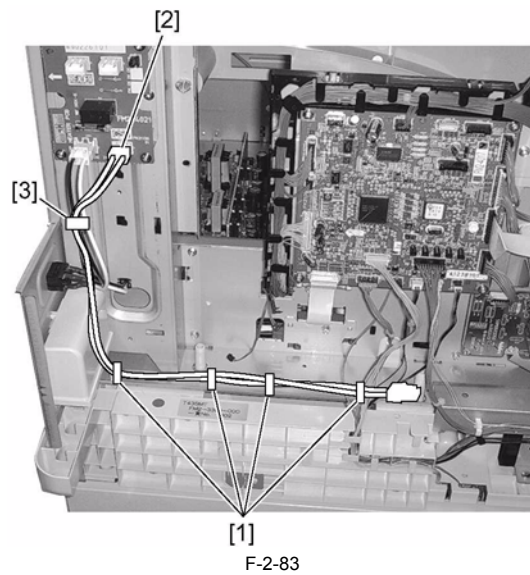
F-2-81

- 4) Install the edge saddle (small) [1] on the power supply unit at the front of the host machine, and then connect the header switch harness [2] (routed to the front of the host machine) to the connector (J15) on the power supply PCB through the edge saddle.



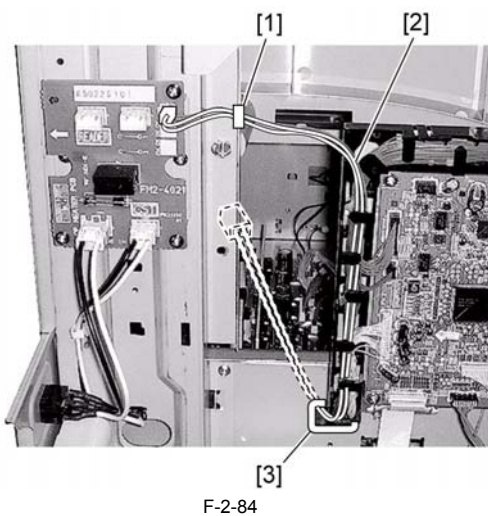
F-2-82

- 5) Install the four clamps [1] on the back of the host machine.
- 6) Connect the cassette heater harness [2] to the connector (J1905) on the heater PCB unit, install the reuse band [3], and then pass the harness through the clamps installed in step 5).



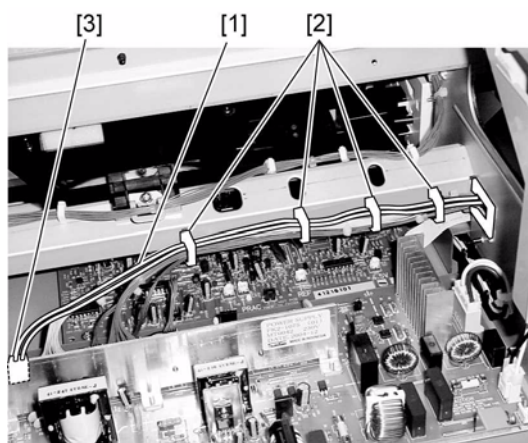
F-2-83

- 7) Install the edge saddle (small) [1].
- 8) Connect the heater harness [2] to the connector (J1902) on the heater PCB unit, pass the harness through the installed edge saddle, and then route the harness to the front of the host machine through the hole [3].



F-2-84

- 9) Pass the heater harness [1] through the wire saddle [2], and then connect it to the connector (J17) [3] on the power supply PCB.



F-2-85

10) Install the delivery tray. (2 screws)



When reinstalling the delivery tray, be careful not to damage the paper holder.

- 11) Attach the upper-right cover of the host machine. (1 screw)
- 12) Attach the lower-right cover of the host machine. (5 screws)
- 13) Attach the rear cover of the host machine. (4 screws)
- 14) Close the front cover of the host machine.

## 2.7 Installing the Reader Heater

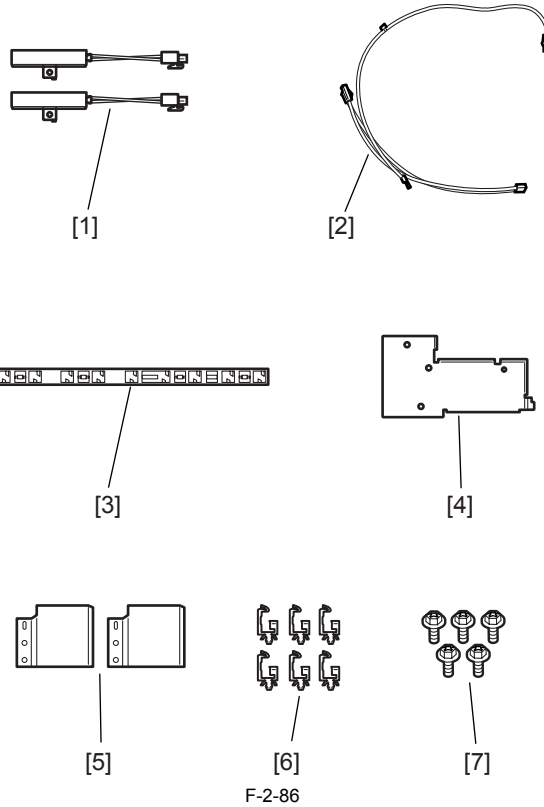
### 2.7.1 Preparing the parts

iR2016J / iR2016 / iR2020 / / iR2016i / iR2020i



Before installing, make sure the heater PCB has been installed.

1) Prepare the following parts.



[1]	Reader heater	2 pcs.
[2]	Heater harness	1 pc.
[3]	Harness guide	1 pc.
[4]	Right heater base	1 pc.
[5]	Heater cover	2 pcs.
[6]	Clamp	6 pcs.
[7]	TP screw (M3x6)	5 pcs.

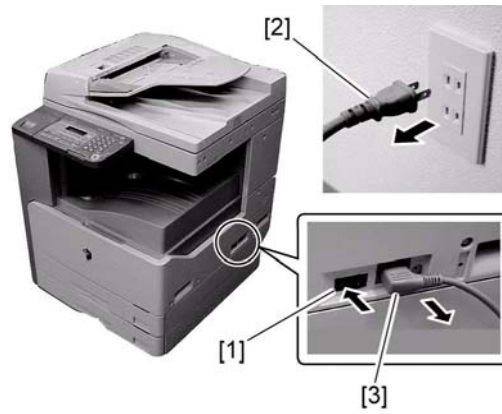
### 2.7.2 Installing the Reader Heater Harness

iR2016J / iR2016 / iR2020 / / iR2016i / iR2020i



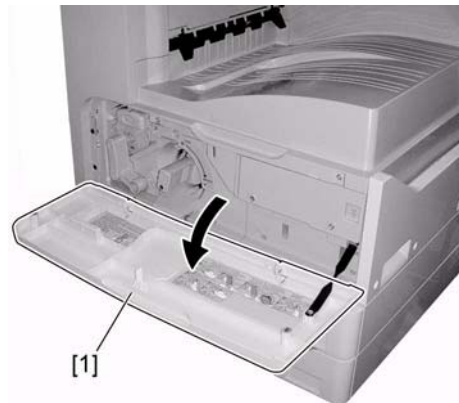
Before installing, make sure the host machine is turned off. If it is turned on, go through the following:

1. Turn off the main power switch.
2. Disconnect the power cable (from the power outlet).
3. Disconnect the power cable.



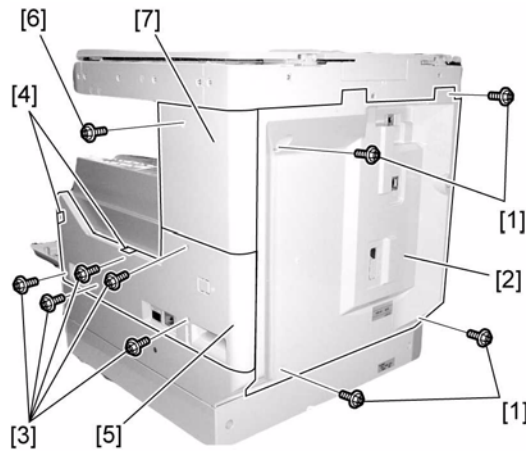
F-2-87

1) Open the front cover [1].



F-2-88

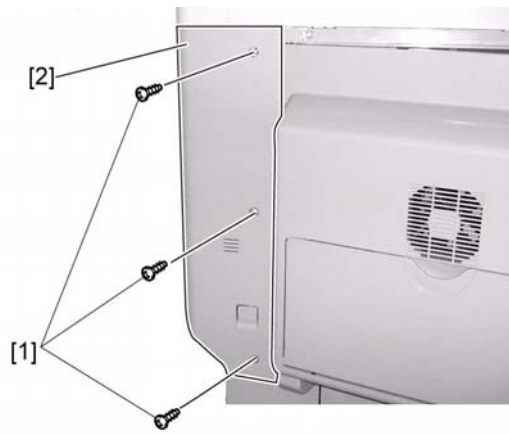
2) Remove the four screws [1], and then detach the rear cover [2].  
 3) Remove the five screws [3], Remove the two hooks [4], and then detach the lower-right cover [5].  
 4) Remove the screw [6], and then detach the upper-right cover [7].



F-2-89

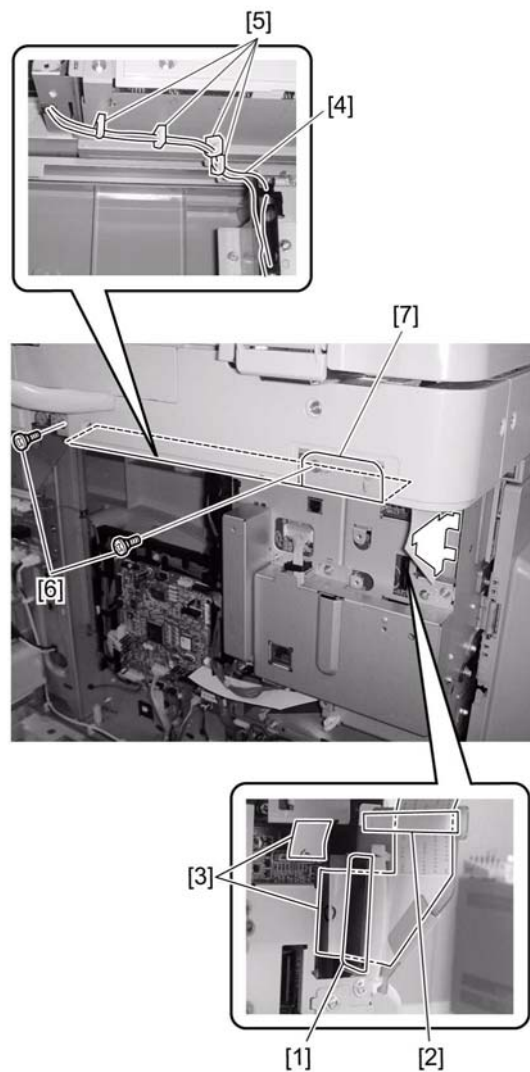
5) Remove the three screws [1], and then detach the rear-left cover [2].





F-2-90

- 6) Remove the core [1] and the flexible cable holder [2] at the back of the host machine. Disconnect the two reader flexible cables [3].
- 7) Disconnect the harness [4] from the four wire saddles [5].
- 8) Remove the two screws [6], and then detach the flexible cable cover [7].



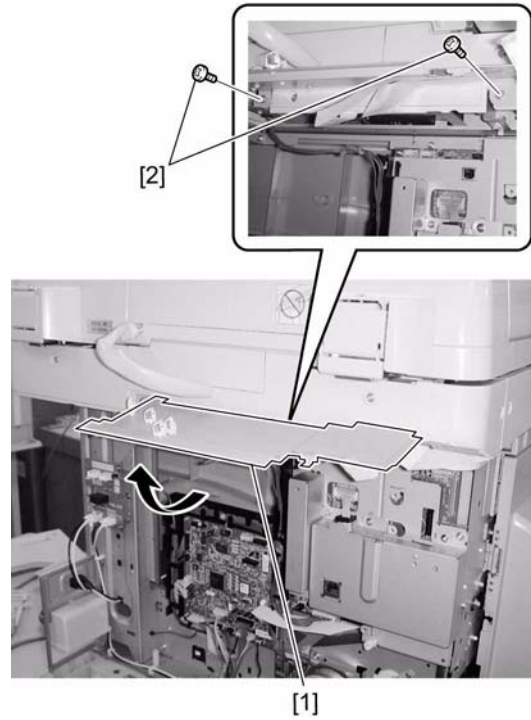
F-2-91



The reader flexible cables are stuck to the flexible cable cover, so do not pull the cover forcibly.

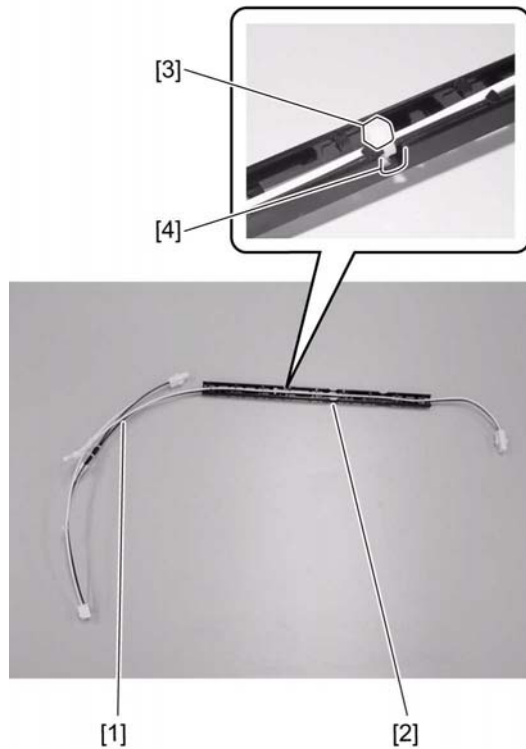
- 9) Turn over the reader flexible cable cover [1], and then secure to the back of the reader temporarily using a screw [2].





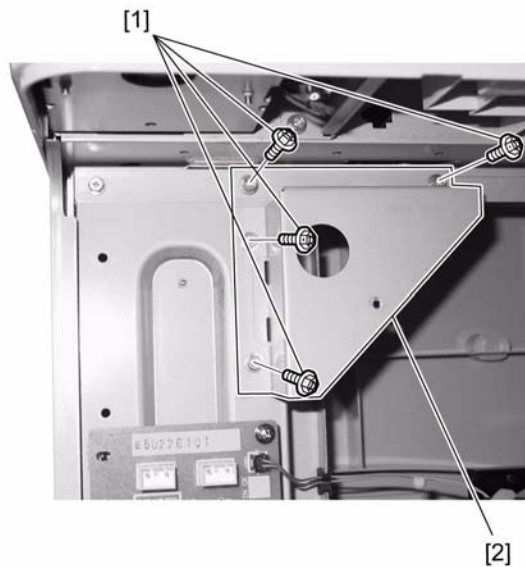
[1]  
F-2-92

10) Pass the heater harness [1] through the harness guide [2] with the clamp [3] of the heater harness aligned with the notch [4] in the harness guide.



F-2-93

11) Remove the four screws [1], and then the metal plate [2].



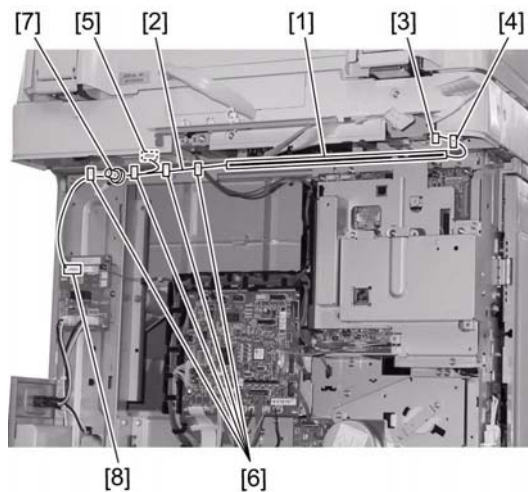
F-2-94

- 12) Secure the harness guide [1] to the rear bottom of the reader together with the heater harness [2].
- 13) Connect the heater connector (right) [3].
- 14) Install the wire saddle [4], and then pass the heater harness [2] through it.
- 15) Connect the heater connector (left) [5].
- 16) Install the four wire saddles [6], and then pass the heater cable through them.

**MEMO**

Rout the heater cable so as its terminal [7] to be connected at the position shown in the Figure.

- 17) Connect the heater harness [2] to the connector (J1904) [8] on the heater PCB.



F-2-95

- 18) Install the metal plate removed in step 11). (4 screws)
- 19) Return the reader flexible cable cover in place, and then connect the reader flexible cables to the image processor PCB.

**2.7.3 Removing Reader Components**

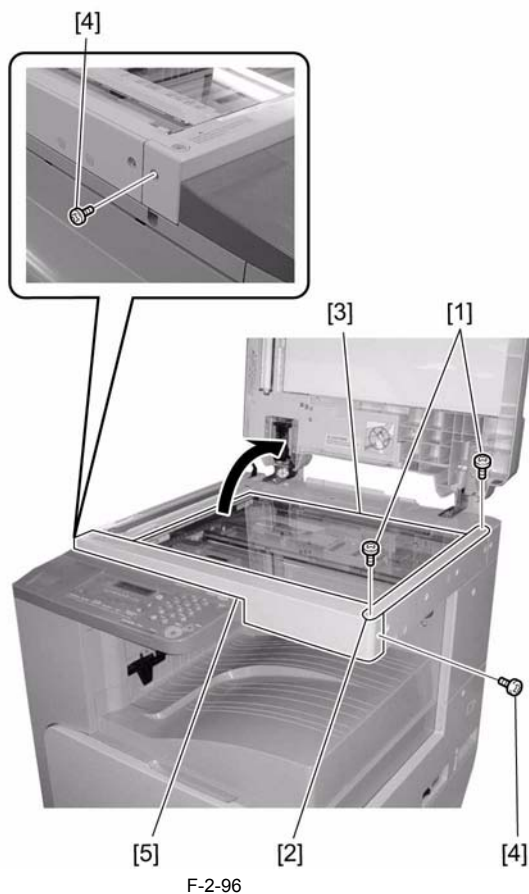
iR2016J / iR2016 / iR2020 / / iR2016i / iR2020i



Installation precautions are as follows:

- Do not touch the top surface of the contact sensor.
- Be careful not to allow foreign objects to enter the reader unit.
- Do not stain the stream reading glass.
- Be careful not to touch grease on the shaft, when moving the contact sensor, etc.

- 1) Open the ADF/copyboard cover.
- 2) Remove the two screws [1], and then the right glass holder [2] of the reader.
- 3) Remove the document deck glass [3].
- 4) Remove the two screws [4], and then detach the front cover [5] of the reader.



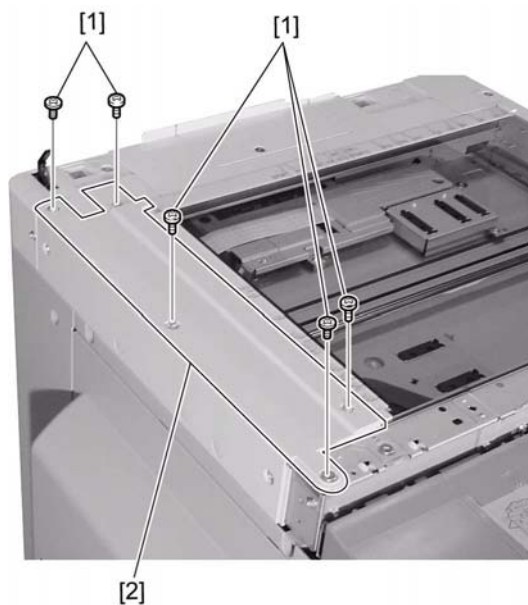
#### 2.7.4 Removing Parts at the Left of the Reader

iR2016J / iR2016 / iR2020 / / iR2016i / iR2020i

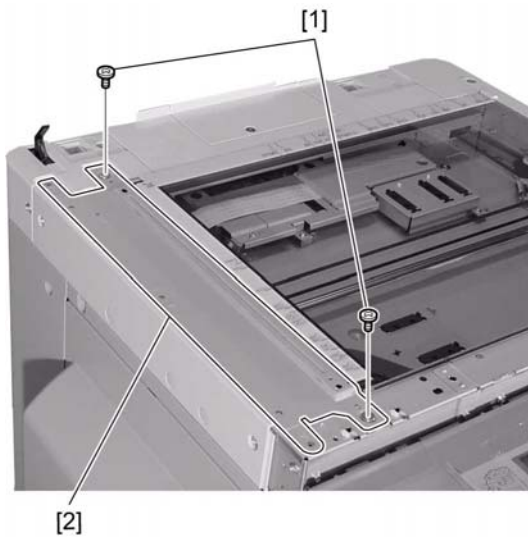
The work procedure for removing the parts at the left of the reader differs between the machine with a copyboard cover and the machine with a DADF. Follow the appropriate procedure.

##### a. Machine with a Copyboard Cover

1) Remove the five screws [1], and then detach the upper-left cover [2] of the reader



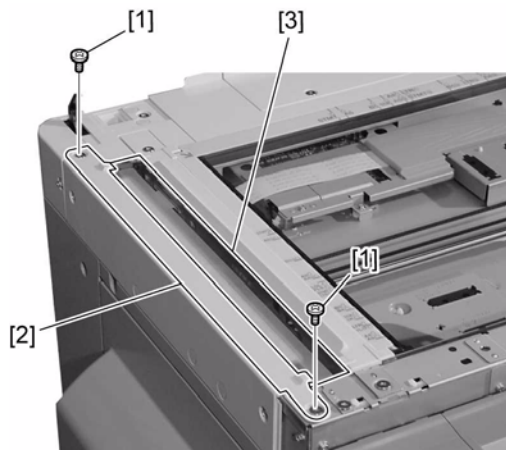
2) Remove the two screws [1], and then detach the blind plate [2].




F-2-98

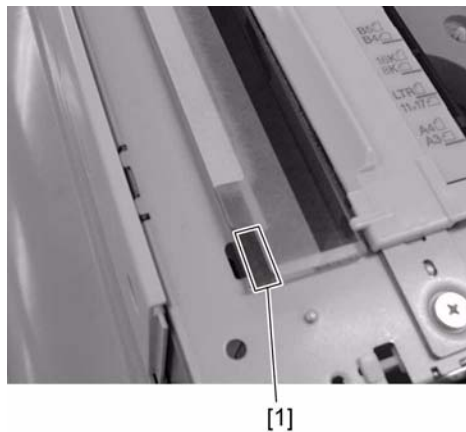
**b. Machine with a DADF**

- 1) Remove the two screws [1], and then detach the stream reading glass holder [2].
- 2) Remove the stream reading glass [3].



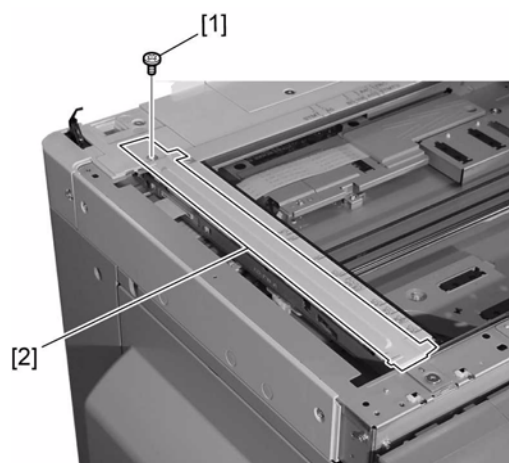
F-2-99

 Mount the stream reading glass with the notch [1] of the sheet material affixed to the glass is at the front left.



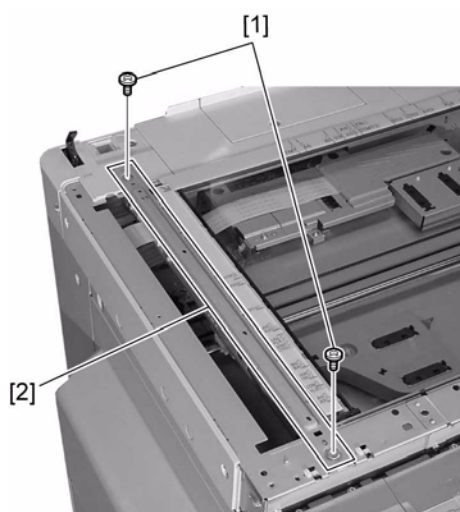
F-2-100

- 3) Remove the screw [1], and then remove the jump board [2].



F-2-101

4) Remove the screw [1], and then the stay [2].



F-2-102

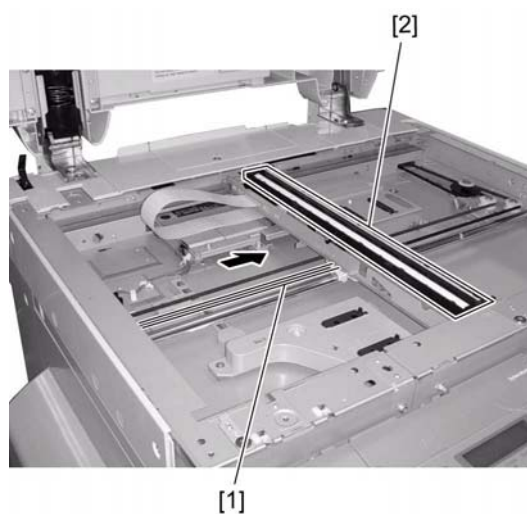
### 2.7.5 Installing the Reader Heater

iR2016J / iR2016 / iR2020 / / iR2016i / iR2020i

1) Pull the front side [1] of the drive belt in the direction of the arrow to move the contact sensor [2] to the center



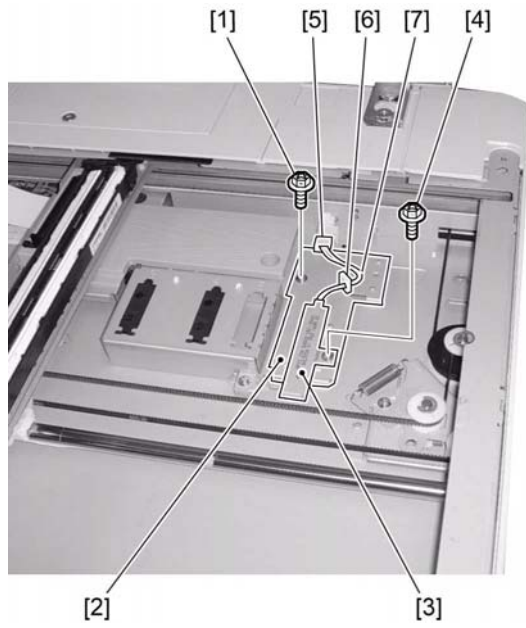
Do not touch the top surface of the contact sensor.



F-2-103

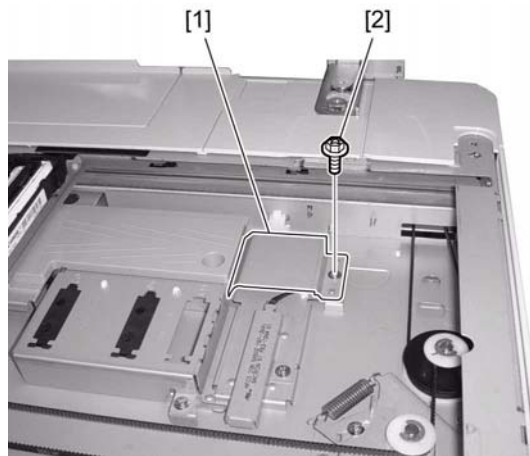
2) Install the heater base [2] using a screw [1].

3) Install the reader heater [3] on the heater base [2] using a screw [4]. Connect the connector [5] of the heater. Install the wire saddle [6] and route the cable [7].



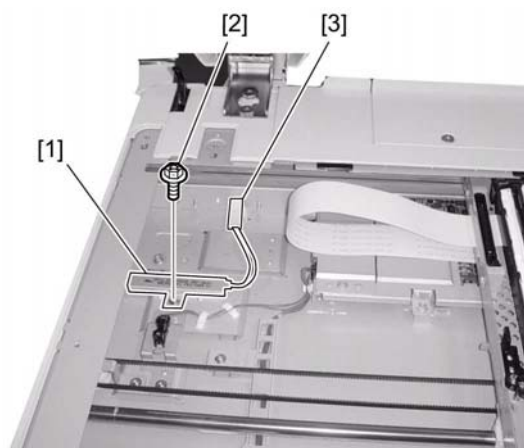
F-2-104

4) Attach the heater cover [1] using a screw [2].



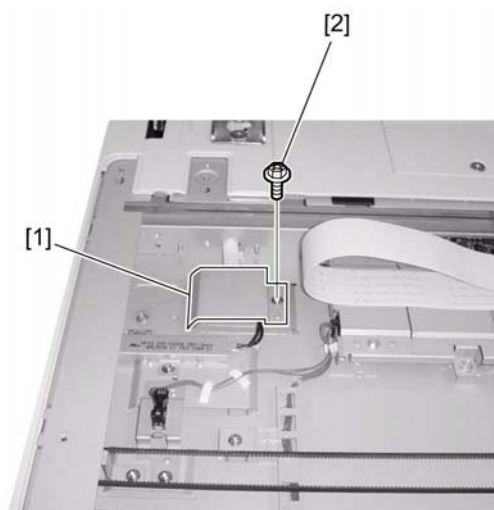
F-2-105

5) Install the reader heater [1] using a screw [2]. Connect the connector [3] of the heater.



F-2-106

6) Attach the heater cover [1] using a screw [2].



F-2-107

- 7) Reinstall the parts at the left of the reader.
- 8) Attach the front cover of the reader. (2 screws)
- 9) Install the copyboard glass.
- 10) Install the right glass holder of the reader. (2 screws)
- 11) Attach the rear left cover of the host machine. (3 screws)
- 12) Attach the upper-right cover of the host machine. (1 screw)
- 13) Attach the lower-right cover of the host machine. (5 screws)
- 14) Attach the rear cover of the host machine. (4 screws)



## 2.8 Installing the Cassette Heater

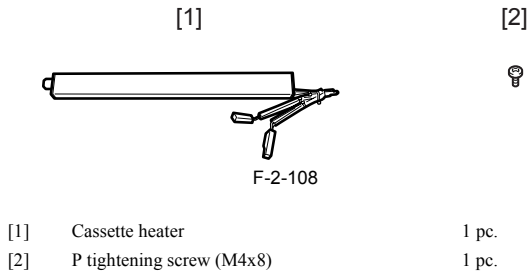
### 2.8.1 Preparing the parts

iR2016J / iR2016 / iR2020 / / iR2016i / iR2020i



Before installing the cassette heater, make sure the heater PCB has been installed.

1) Prepare the following parts.



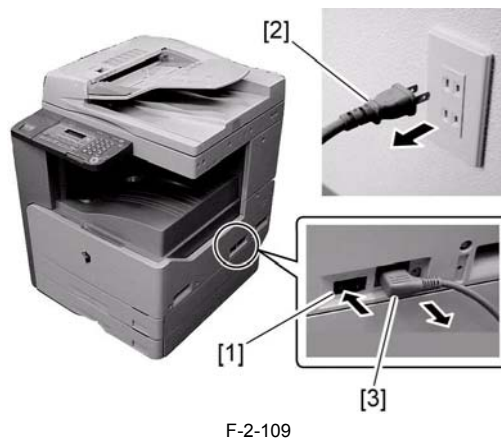
### 2.8.2 Preparing the Host Machine

iR2016J / iR2016 / iR2020 / / iR2016i / iR2020i

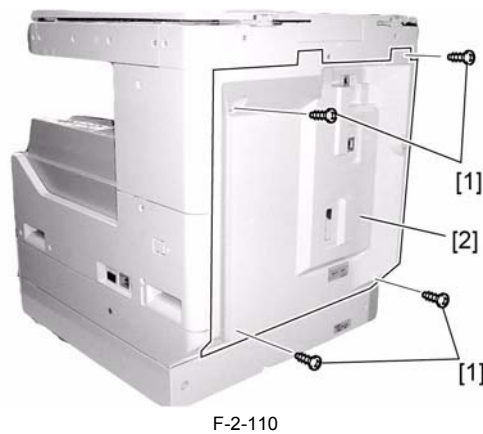


Before installing the cassette heater unit 30, make sure the host machine is turned off. If it is turned on, go through the following:

1. Turn off the main power switch.
2. Disconnect the power cable (from the power outlet).
3. Disconnect the power cable.



1) Remove the four screws [1], and then detach the rear cover [2].

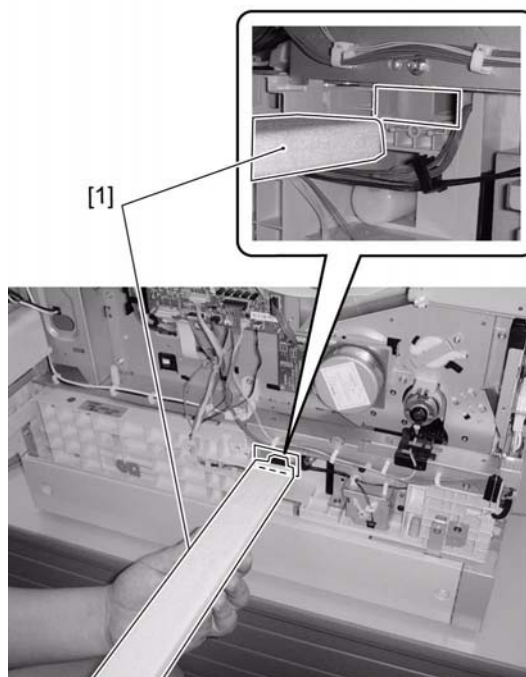


### 2.8.3 Installing the Cassette Heater

iR2016J / iR2016 / iR2020 / / iR2016i / iR2020i

1) Insert the cassette heater [1] from behind the host machine.



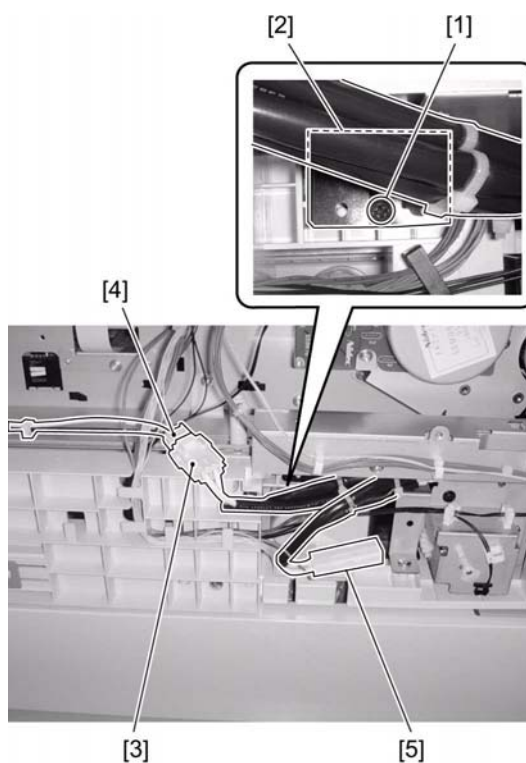


F-2-111



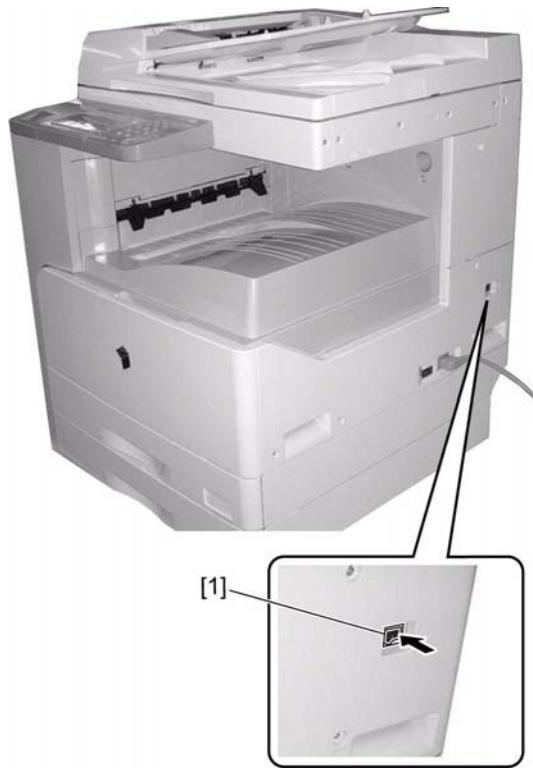
When installing the cassette heater unit, make sure that harness is not pinched.

- 2) Secure the cassette heater [2] using a screw [1].
- 3) Connect one harness [3] to the cassette heater harness [4].
- 4) Place the other harness [5] at the position shown below. Connect this connector to the heater of the cassette when connecting the cassette heater to the cassette at the second or lower stage.



F-2-112

- 5) Attach the rear cover. (4 screws)
- 6) Turn on the main power switch of the host machine.
- 7) Turn on the heater switch [1] and make sure that the cassette heater is powered.



F-2-113

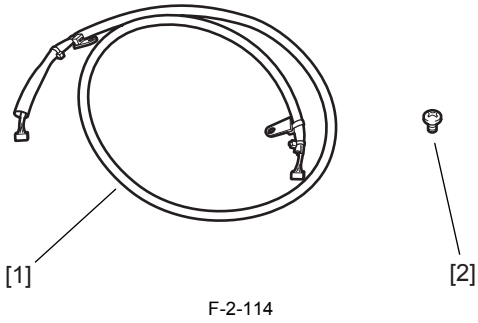
When installing the heater for the cassette at the second or lower stage, detach the rear cover of the cassette and follow the procedure mentioned in this procedural manual.

## 2.9 Installing the Control Card Cable

### 2.9.1 Preparing the parts

iR2016J / iR2016 / iR2020 / / iR2016i / iR2020i

1) Prepare the following parts.

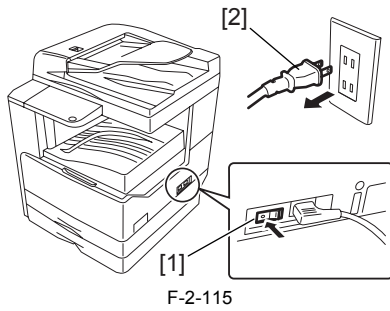


- |     |                      |       |
|-----|----------------------|-------|
| [1] | Control card cable   | 1 pc. |
| [2] | Binding screw (M4x6) | 1 pc. |

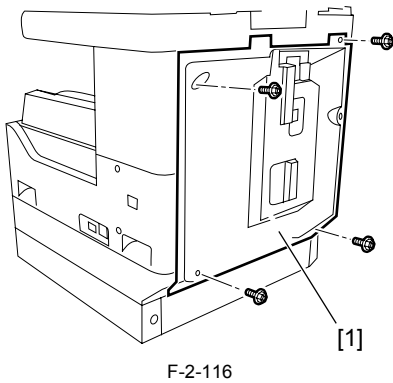
### 2.9.2 Installing the Control Card Cable

iR2016J / iR2016 / iR2020 / / iR2016i / iR2020i

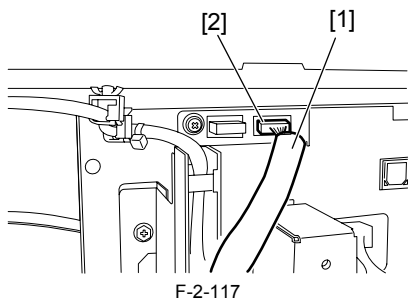
1) Turn off the main power switch [1] of the host machine and disconnect the power plug [2] from the outlet.



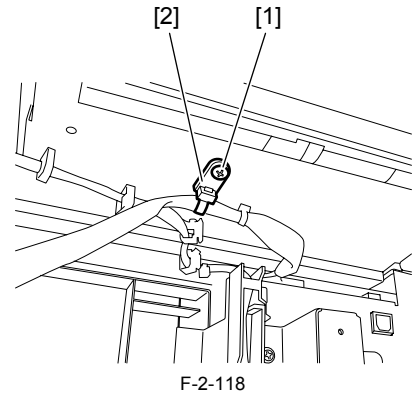
2) Remove the 4 screws, and then detach the rear cover [1].



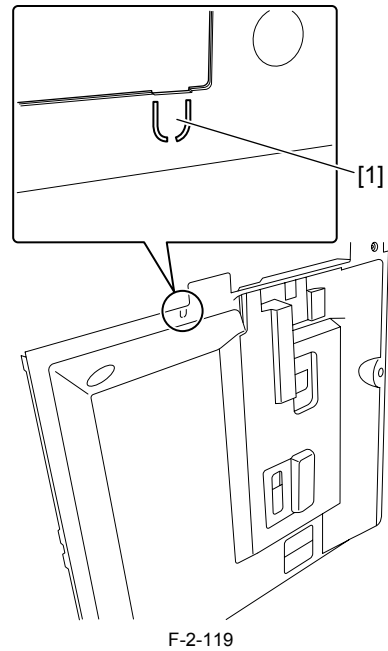
3) Connect the connector of the control card cable [1] to the connector J320 [2] on the image processor PCB.



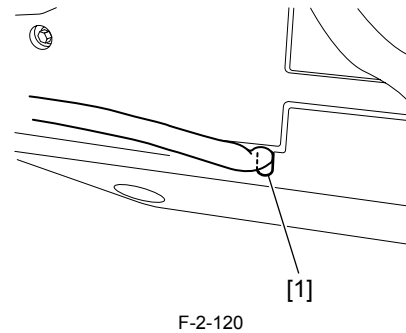
4) Using the binding screw (M4x6) [1], secure the control card cable clamp [2].



5) Using a nipper, remove the precut portion [1] of the rear cover as shown below.



6) Attach the rear cover with the control card cable routed through the cut portion [1] of the rear cover.



7) Continue work for the control card.



---

## Chapter 3 Main Controller

---



---

# Contents

3.1 Construction .....	3-1
3.1.1 Construction and Mechanisms .....	3-1
3.1.2 Construction and Mechanisms .....	3-1
3.2 Construction of the Electrical Circuitry .....	3-2
3.2.1 Image Processor PCB .....	3-2
3.3 Image Processing .....	3-3
3.3.1 Overview of the Image Flow .....	3-3
3.3.2 Construction of the Image Processing Module .....	3-3
3.3.3 Reader Unit Input Image Processing .....	3-4
3.3.4 Compressio/ Extesion/ Editing Block .....	3-4
3.3.5 Compressio/ Extesion/ Editing Block .....	3-5
3.3.6 Printer unit Output Image Processing .....	3-5
3.4 Flow of Image Data .....	3-6
3.4.1 Flow of Image Data According to Copy Functions .....	3-6
3.4.2 Flow of Image Data for the SEND Function .....	3-6
3.4.3 Flow of Image Data for the Fax Transmission .....	3-7
3.4.4 Flow of Image Data for the Fax Reception Function .....	3-7
3.4.5 Flow of Image Data for the PDL Function .....	3-8
3.5 Parts Replacement Procedure .....	3-9
3.5.1 Main Controller PCB .....	3-9
3.5.1.1 Removing the Rear Cover .....	3-9
3.5.1.2 Removing the Left Cover (Rear) .....	3-9
3.5.1.3 Removing the RAM Cover .....	3-9
3.5.1.4 Removing the SDRAM .....	3-9
3.5.1.5 Removing the LAN Cover .....	3-9
3.5.1.6 Removing the IP Cover .....	3-9
3.5.1.7 Removing the IP Cover .....	3-10
3.5.1.8 Removing the image processor PCB .....	3-11
3.5.1.9 Procedure after Replacing the Image Processor PCB (iR2020/iR2020J/iR2016/iR2016J) .....	3-11
3.5.1.10 Procedure after Replacing the Image Processor PCB (iR2020i/iR2016i) .....	3-11
3.5.2 SDRAM .....	3-12
3.5.2.1 Removing the Rear Cover .....	3-12
3.5.2.2 Removing the RAM Cover .....	3-12
3.5.2.3 Removing the SDRAM .....	3-12





## 3.1 Construction

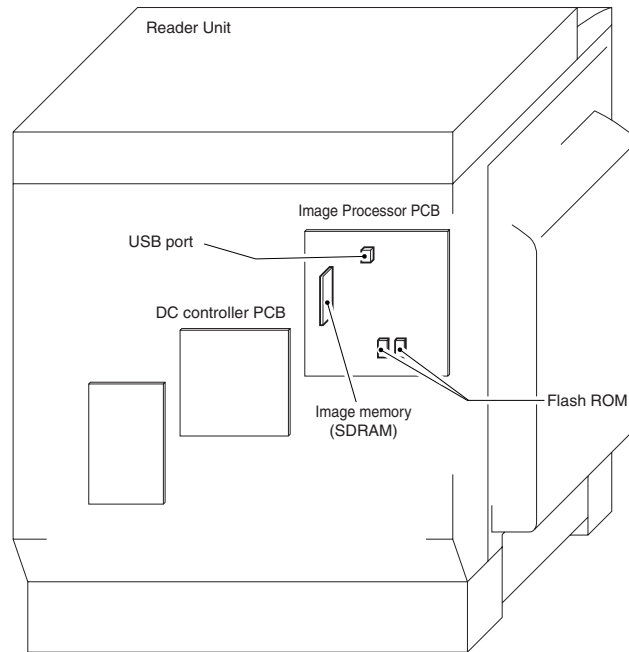
### 3.1.1 Construction and Mechanisms

iR2016J / iR2016 / iR2020 /

The machine's main controller block consists of the following and has the following functions:

T-3-1

Item	Description
Image Processor PCB	Controls system operation, memory, printer unit output, image processing, printer unit image input processing, card printer unit interface, fax image processing, etc.
Image memory (SDRAM)	Temporarily retains image data (128 MB; 256 MB max.)
Flash ROM	Stores system software and retains user data/service data
USB port	USB2.0 interface



F-3-1

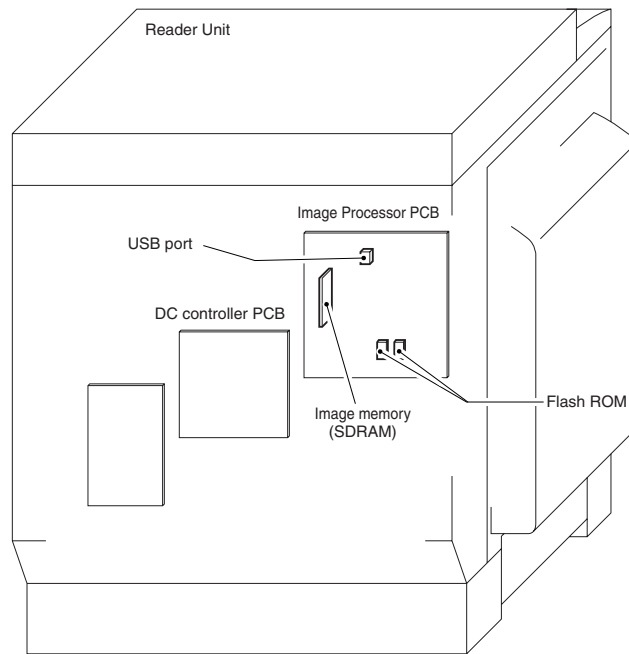
### 3.1.2 Construction and Mechanisms

iR2016i / iR2020i

The machine's main controller block consists of the following and has the following functions:

T-3-2

Item	Description
Image Processor PCB	Controls system operation, memory, printer unit output, image processing, printer unit image input processing, card printer unit interface, fax image processing, etc.
Image memory (SDRAM)	Temporarily retains image data (256 MB)
Flash ROM	Stores system software and retains user data/service data
USB port	USB2.0 interface



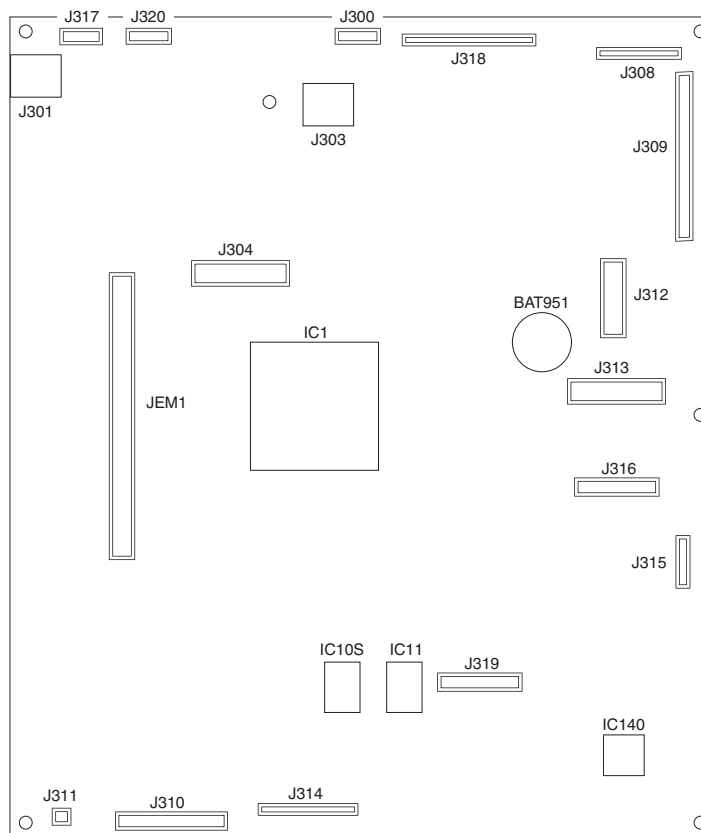
F-3-2

### 3.2 Construction of the Electrical Circuitry

#### 3.2.1 Image Processor PCB

iR2016J / iR2016 / iR2020 / iR2016i / iR2020i

The following is a diagram showing the major control mechanisms of the Image Processor PCB according to connectors:



F-3-3  
T-3-3

Connector	Description
J300	Not used
J301	USB memory connection slot
J303	USB port
J304	LAN PCB connection slot

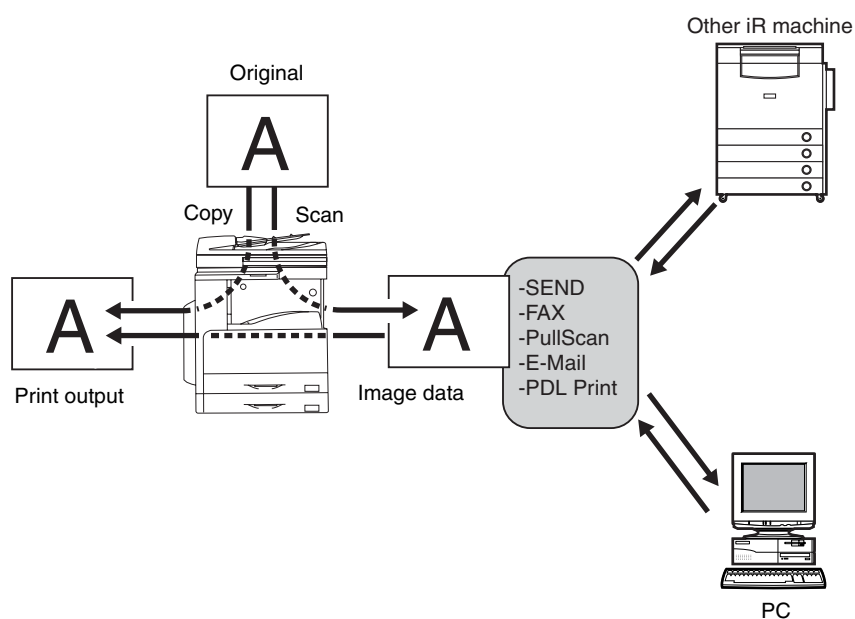
Connector	Description
J308	Reader ADF connection slot
J309	Reader Book connection slot
J310	Power supply connection slot
J312	SERIAL PCB connection slot
J314	DC controller PCB connection slot
J315	SOFT ID PCB connection slot
J316	SOFT counter PCB connection slot
J317	New Card Reader connection slot
J318	Control panel connection slot
J319	Extend ROM PCB connection slot
J320	Not used
JMEM1	DDR DIMM PCB connection slot

### 3.3 Image Processing

#### 3.3.1 Overview of the Image Flow

iR2016J / iR2016 / iR2020 / / iR2016i / iR2020i

The following shows the flow of images in relation to the machine's functions:

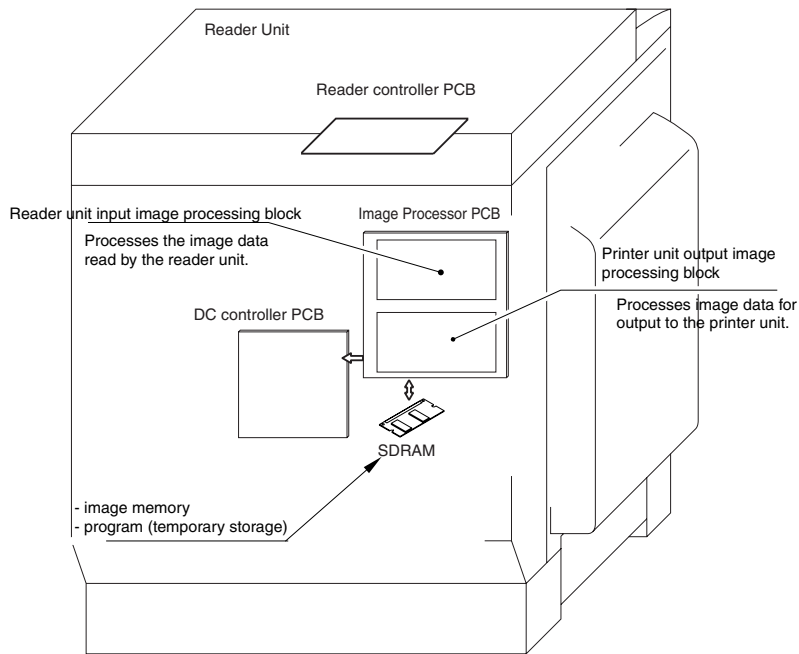


F-3-4

#### 3.3.2 Construction of the Image Processing Module

iR2016J / iR2016 / iR2020 / / iR2016i / iR2020i

The machine's major image processing is executed by the Image processor PCB. The following shows the construction of the modules associated with image processing:

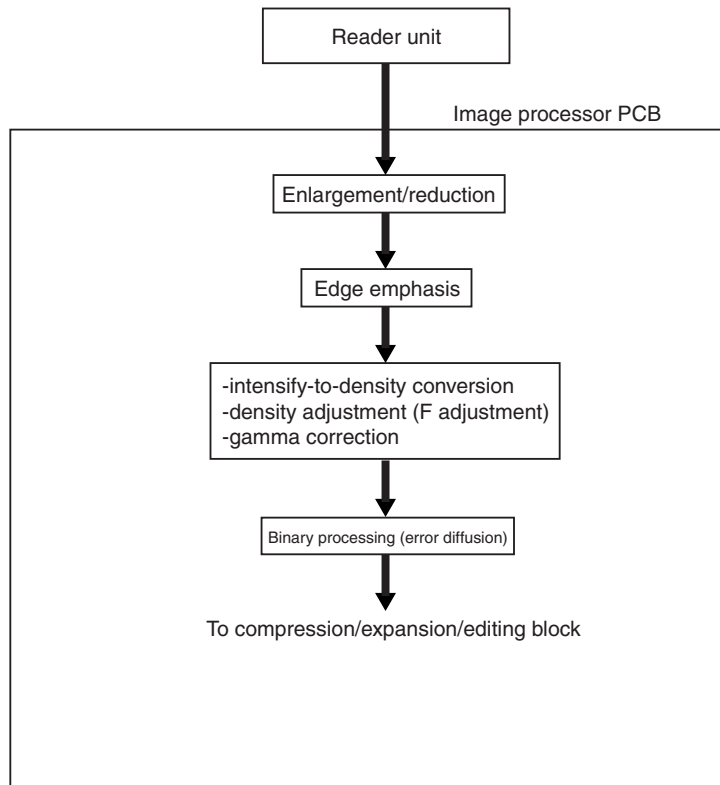


F-3-5

### 3.3.3 Reader Unit Input Image Processing

iR2016J / iR2016 / iR2020 / iR2016i / iR2020i

The image data collected by the contact image sensor is processed by the Image processor PCB.

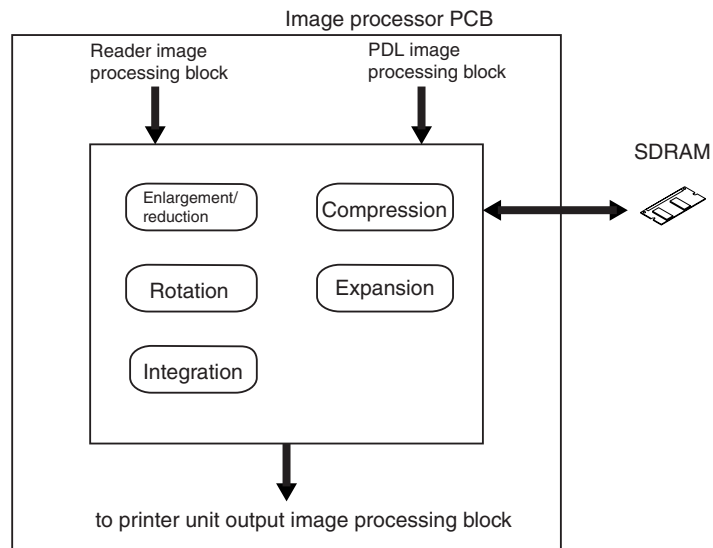


F-3-6

### 3.3.4 Compression/ Extension/ Editing Block

iR2016 / iR2020 / iR2016i / iR2020i

Here, image data is processed for compression, extension, and editing.

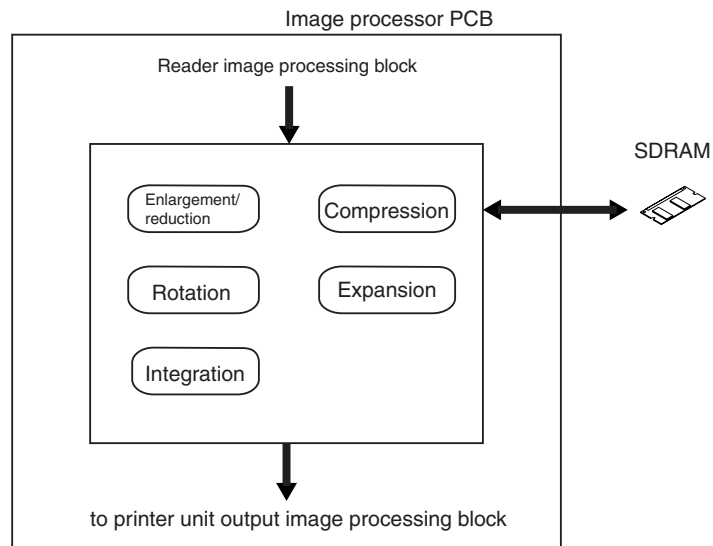


F-3-7

### 3.3.5 Compression/ Extension/ Editing Block

iR2016J /

Here, image data is processed for compression, extension, and editing.

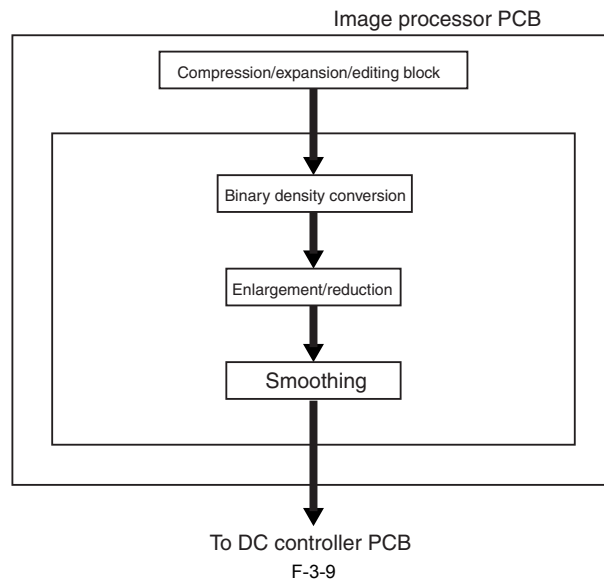


F-3-8

### 3.3.6 Printer unit Output Image Processing

iR2016J / iR2016 / iR2020 / / iR2016i / iR2020i

The image processor PCB processes the image data coming from the reader unit for output to the printer unit.

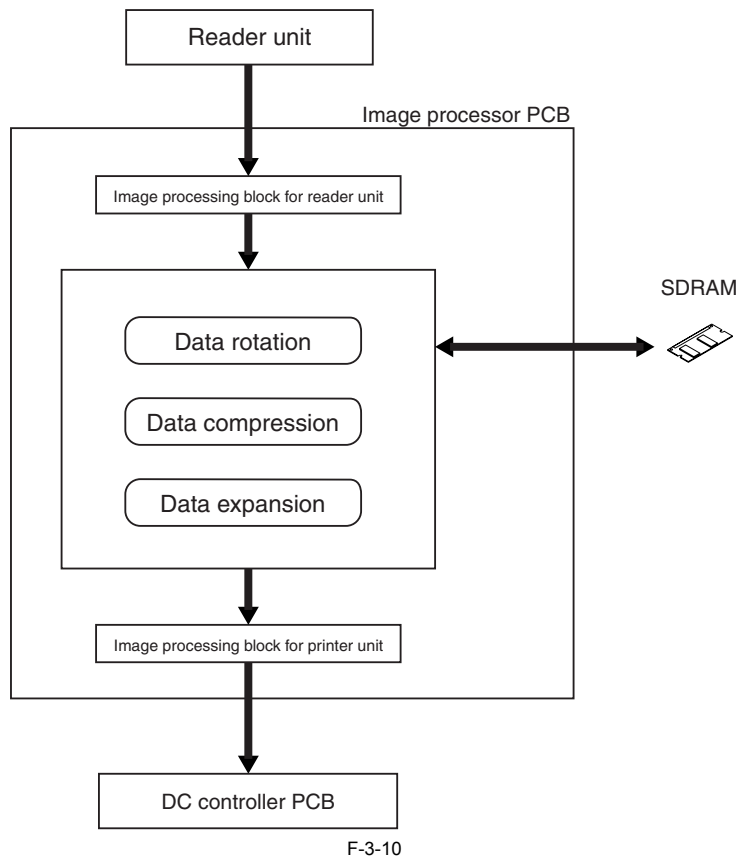


### 3.4 Flow of Image Data

#### 3.4.1 Flow of Image Data According to Copy Functions

iR2016J / iR2016 / iR2020 / / iR2016i / iR2020i

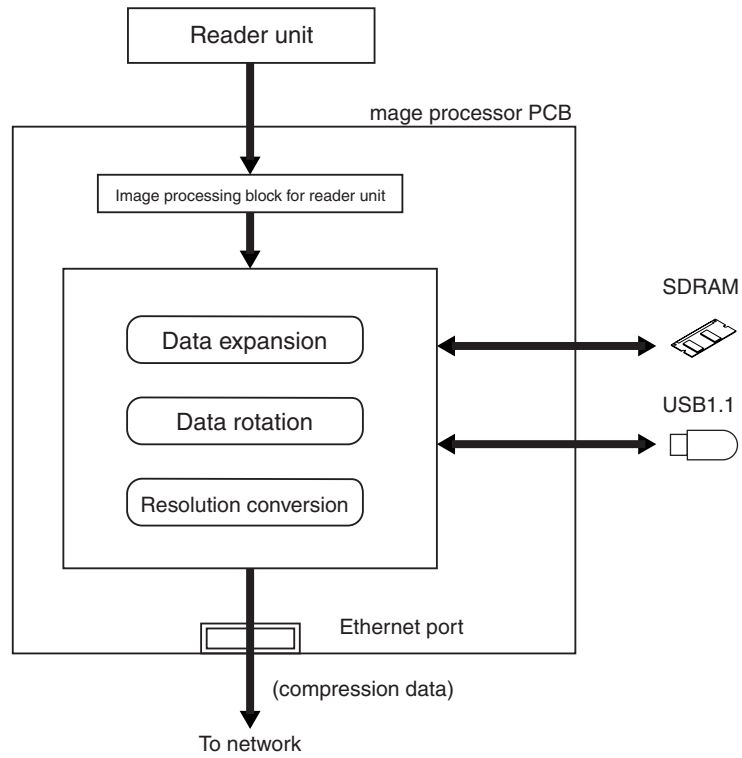
The following is the flow of image data when the Copy Function is in use:



#### 3.4.2 Flow of Image Data for the SEND Function

iR2016 / iR2020 / iR2016i / iR2020i

The following is the flow of image data when the SEND function is in use.

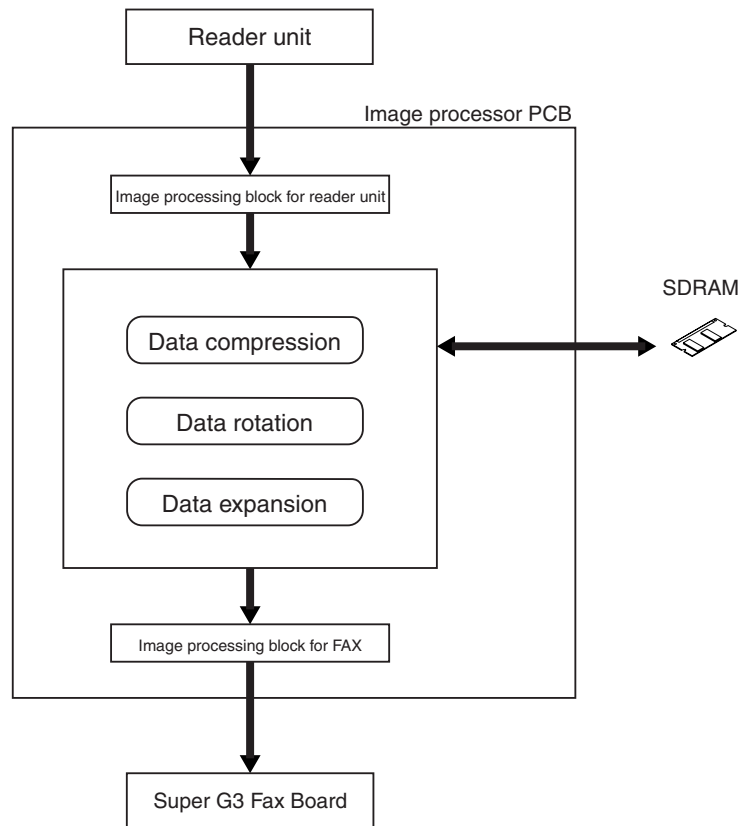


F-3-11

### 3.4.3 Flow of Image Data for the Fax Transmission

iR2016 / iR2020 / iR2016i / iR2020i

The following is the flow of image data when the fax transmission function is in use:

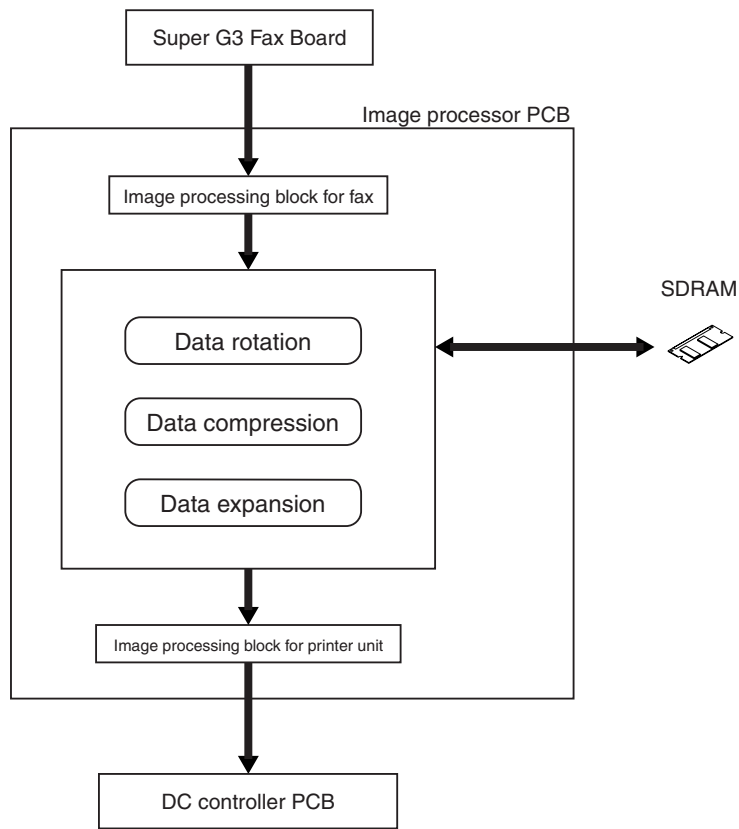


F-3-12

### 3.4.4 Flow of Image Data for the Fax Reception Function

iR2016 / iR2020 / iR2016i / iR2020i

The following is the flow of image data when the fax reception function is in use:

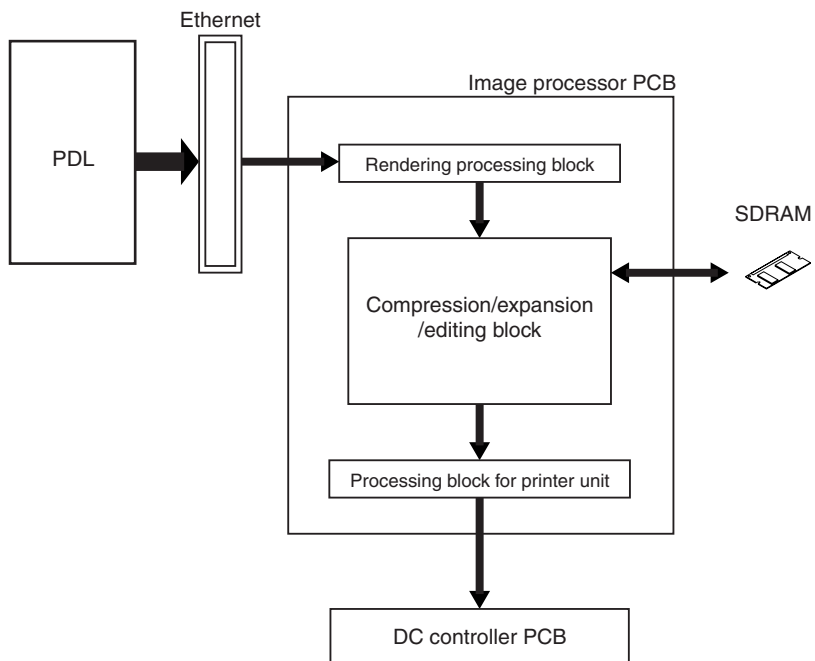


F-3-13

### 3.4.5 Flow of Image Data for the PDL Function

iR2016 / iR2020 / iR2016i / iR2020i

The following is the flow of image data when the PDL function is in use:



F-3-14



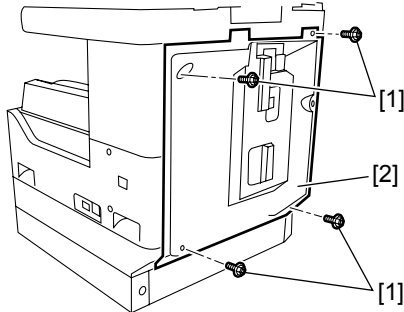
## 3.5 Parts Replacement Procedure

### 3.5.1 Main Controller PCB

#### 3.5.1.1 Removing the Rear Cover

iR2016J / iR2016 / iR2020 / iR2016i / iR2020i

- 1) Remove the four screws [1], and then detach the rear cover [2].

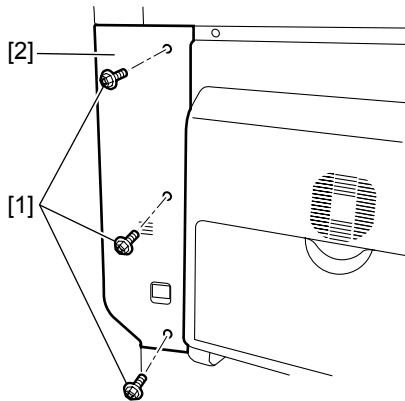


F-3-15

#### 3.5.1.2 Removing the Left Cover (Rear)

iR2016J / iR2016 / iR2020 / iR2016i / iR2020i

- 1) Remove the three screws [1], and then detach the left cover (rear).

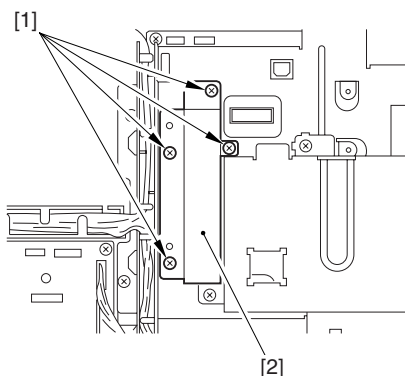


F-3-16

#### 3.5.1.3 Removing the RAM Cover

iR2016 / iR2020 / iR2016i / iR2020i

- 1) Remove the four screws [1], and then detach the RAM cover [2].

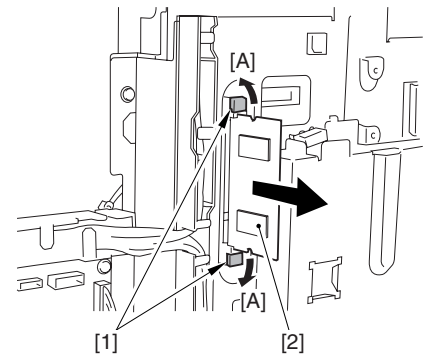


F-3-17

#### 3.5.1.4 Removing the SDRAM

iR2016 / iR2020 / iR2016i / iR2020i

- 1) Release two lock levers [1] in the direction of arrow [A] and remove SDRAM [2].

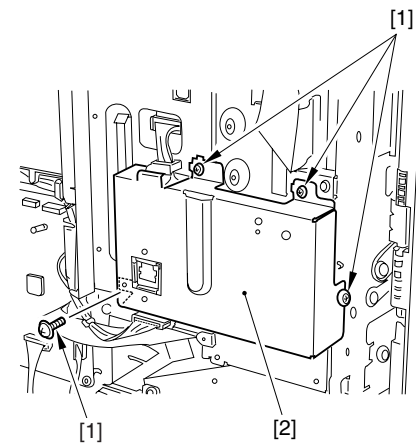


F-3-18

#### 3.5.1.5 Removing the LAN Cover

iR2016 / iR2020 / iR2016i / iR2020i

- 1) Remove the four screws [1], and then detach the LAN cover [2].

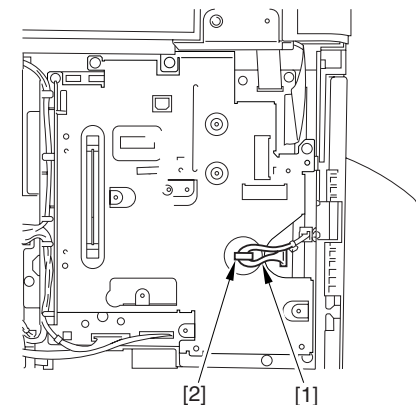


F-3-19

#### 3.5.1.6 Removing the IP Cover

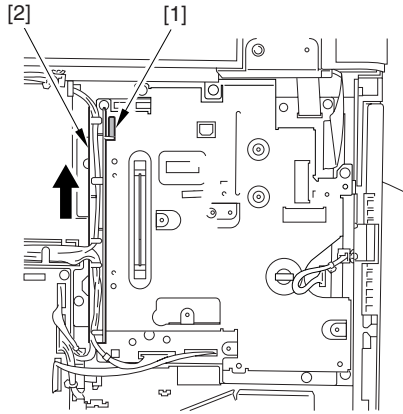
iR2016J /

- 1) Release SOFT ID cable [1] from the cable clamp [2].



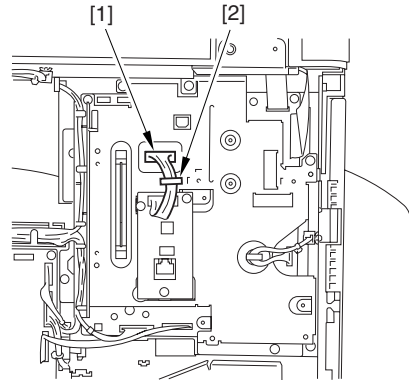
F-3-20

- 2) Release a claw [1] of cable guide and detach the cable guide [2] upward.



F-3-21

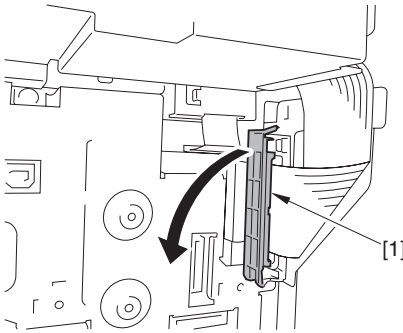
1) Remove a connector [1] of IP-LAN cable and a cable clamp [2].



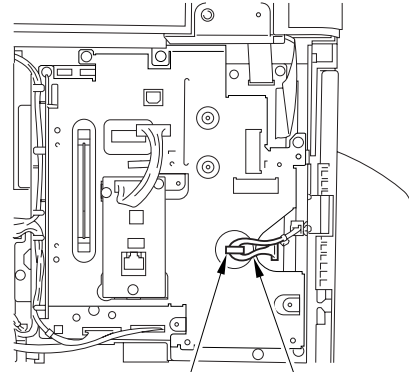
F-3-25

2) Release SOFT ID cable [1] from the cable clamp [2].

3) Open a core [1].



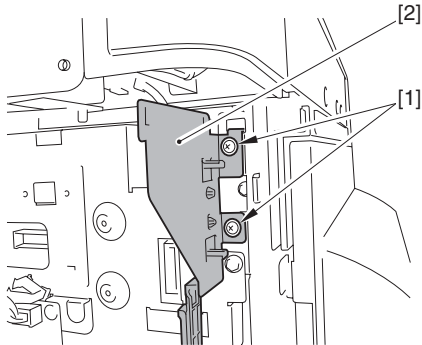
F-3-22



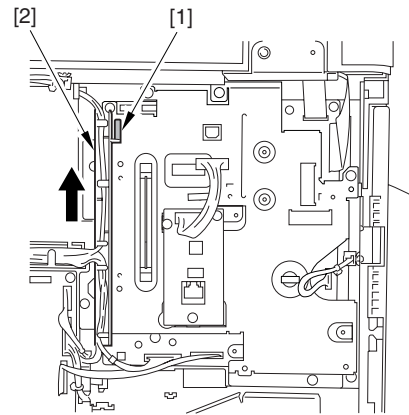
F-3-26

3) Release a claw [1] of cable guide and detach the cable guide [2] upward.

4) Remove the two screws [1], and then detach the flexible cable guide [2].



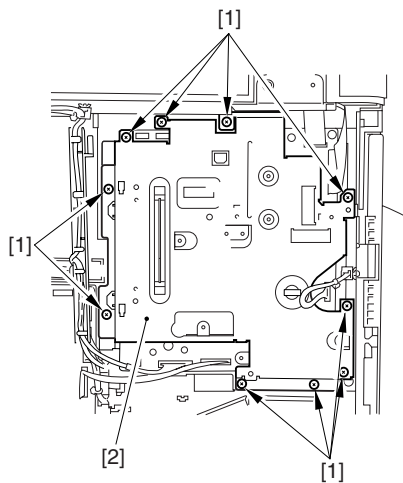
F-3-23



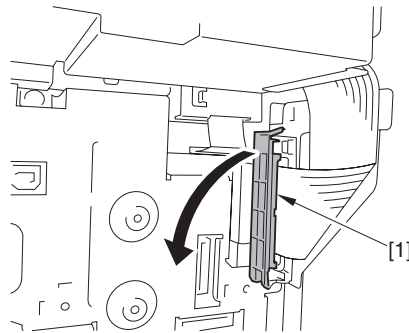
F-3-27

4) Open a core [1].

5) Remove the 10 screws [1], and then detach the IP cover [2].



F-3-24

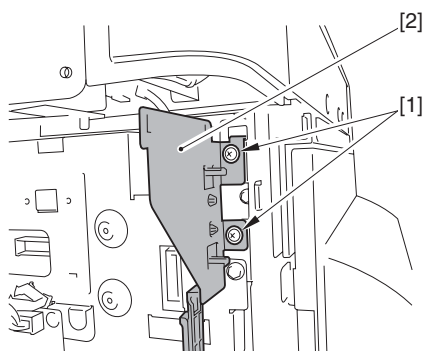


F-3-28

5) Remove the two screws [1], and then detach the flexible cable guide [2].

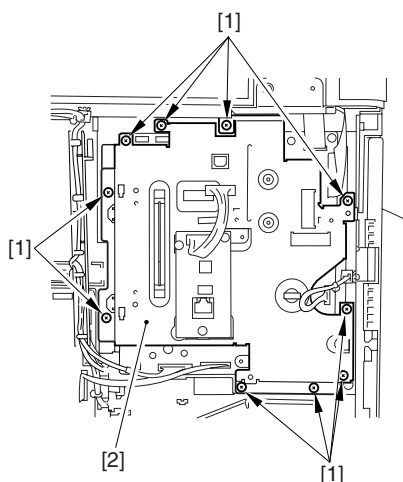
**3.5.1.7 Removing the IP Cover**

iR2016 / iR2020 / iR2016i / iR2020i



F-3-29

6) Remove the 10 screws [1], and then detach the IP cover [2].

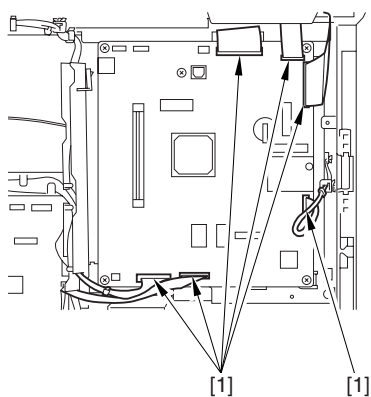


F-3-30

### 3.5.1.8 Removing the image processor PCB

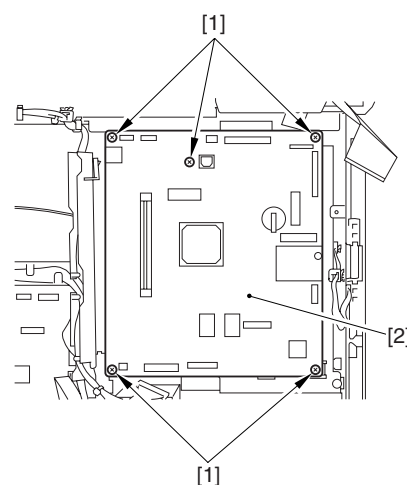
iR2016J / iR2016 / iR2020 / iR2016i / iR2020i

1) Remove six connectors [1].



F-3-31

2) Remove the five screws [1], and detach the image processor PCB [2].



F-3-32

### 3.5.1.9 Procedure after Replacing the Image Processor PCB (iR2020/iR2020J/iR2016/iR2016J)

iR2016J / iR2016 / iR2020 /

If you have replaced the image processor PCB with a new one, perform the following operations:

- Using the service support tool, download the latest firmware (System/Boot).

- Input the all value printed on the service label affixed to the rear cover.

Make the following adjustments:

- Correction of output between CIS channels

1) Enter the service mode.

Sequentially press the User Mode key "⊗", 2 key, 8 key, and User Mode key "⊗" on the operation panel.

2) Using the arrow keys on the operation panel, display "TEST MODE".

3) Press the OK key.

4) Press the 2 key. "SCAN TEST" appears.

5) Press the 1 key.

After completion of the above steps, contact sensor output correction will be performed and parameters will be set automatically.

- Read position adjustment (Stream reading: Only when the ADF is installed)

1) Enter the service mode.

Press the User Mode key "⊗", 2 key, 8 key, User Mode key "⊗" on the operation panel of the host machine.

2) Using the arrow keys on the operation panel, display "TEST MODE".

3) Press the OK key.

4) Press the 2 key. "SCAN TEST" appears.

5) Press the 3 key. "SHEET POS ADJ" appears.

The optical system starts scanning. Several seconds later, automatic adjustment of the reading position finishes and "OK" appears.

⚠ If automatic adjustment fails, "NG" appears. Perform the following procedure:

Clean the white roller of the DADF and the document glass of the host machine, and then retry auto adjustment.

### 3.5.1.10 Procedure after Replacing the Image Processor PCB (iR2020i/iR2016i)

iR2016i / iR2020i

If you have replaced the image processor PCB with a new one, perform the following operations:

- Using the service support tool, download the latest firmware (System/Boot) and language files.

- Delete the languages not used at the destination (Service mode > CLEAR > FILE SYSTEM).

- Input the all value printed on the service label affixed to the rear cover.

Make the following adjustments:

- Correction of output between CIS channels

1) Enter the service mode.

Sequentially press the Additional functions key, 2 key, 8 key, and Additional functions key on the operation panel.

2) Press the arrow key on the touch panel to display "TEST MODE".

3) Press [OK].

4) Press the [2] key to display "SCAN TEST".

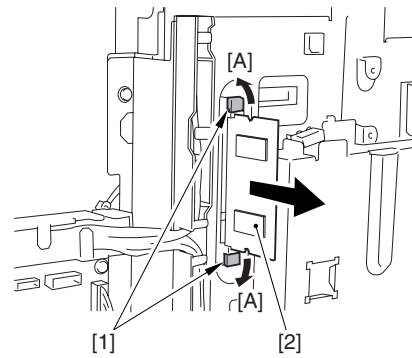
5) Press the [1] key to display "SHADING".

6) Press [OK].

After completion of the above procedure, the contact sensor output is compensated and parameters are set automatically.

After completion of automatic adjustment, "OK" is displayed.  
 - Read position adjustment (Stream reading: Only when the ADF is installed)  
 1) Enter the service mode.  
 Sequentially press the Additional functions key, 2 key, 8 key, and Additional functions key on the operation panel.  
 2) Press the arrow key on the touch panel to display "TEST MODE".  
 3) Press [OK].  
 4) Press the [2] key to display "SCAN TEST".  
 5) Press the [3] key to display "SHEET POS ADJ".  
 6) Press [OK].  
 The optical system starts scanning. Several seconds later, automatic adjustment of the reading position finishes and "OK" appears.

**⚠** If automatic adjustment fails, "NG" appears. Perform the following procedure:  
 Clean the white roller of the DADF and the document glass of the host machine, and then retry auto adjustment.



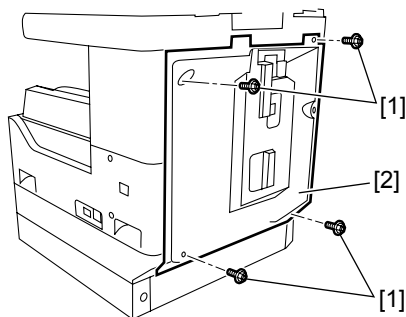
F-3-35

### 3.5.2 SDRAM

#### 3.5.2.1 Removing the Rear Cover

iR2016J / iR2016 / iR2020 / / iR2016i / iR2020i

1) Remove the four screws [1], and then detach the rear cover [2].

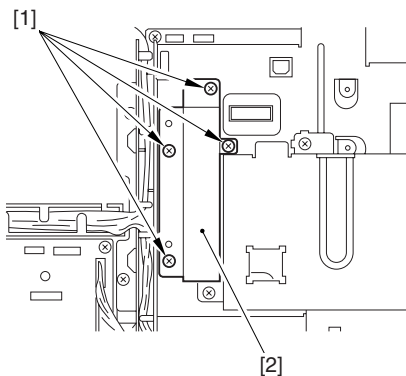


F-3-33

#### 3.5.2.2 Removing the RAM Cover

iR2016J / iR2016 / iR2020 / / iR2016i / iR2020i

1) Remove the four screws [1], and then detach the RAM cover [2].



F-3-34

#### 3.5.2.3 Removing the SDRAM

iR2016J / iR2016 / iR2020 / / iR2016i / iR2020i

1) Release two lock levers [1] in the direction of arrow [A] and remove SDRAM [2].

---

## Chapter 4 Original Exposure System

---



# Contents

4.1 Construction .....	4-1
4.1.1 Specifications, Control Methods, and Functions (iR2020/iR2020J/iR2020i) .....	4-1
4.1.2 Specifications, Control Methods, and Functions (iR2016/iR2016J/iR2016i) .....	4-1
4.1.3 Major Components (iR2020/iR2020J/iR2020i) .....	4-1
4.1.4 Major Components (iR2016/iR2016J/iR2016i) .....	4-2
4.1.5 Control System Configuration (iR2020/iR2020J/iR2020i) .....	4-3
4.1.6 Control System Configuration (iR2016/iR2016J/iR2016i) .....	4-3
4.1.7 Reader Controller PCB (iR2020/iR2020J/iR2020i) .....	4-4
4.1.8 Reader Controller PCB (iR2016/iR2016J/iR2016i) .....	4-5
4.2 Basic Sequence .....	4-5
4.2.1 Basic Sequence at Power-on .....	4-5
4.2.2 Basic Sequence after Depression of Start Key (Book mode, One Sheet of original) .....	4-6
4.2.3 Basic Sequence after Depression of Start Key (ADF Mode, One Sheet of Original) .....	4-6
4.3 Various Control .....	4-7
4.3.1 Controlling the Scanner Drive System .....	4-7
4.3.1.1 Outline .....	4-7
4.3.1.2 Reader Motor Control .....	4-8
4.3.2 Contact Image Sensor (CIS) .....	4-8
4.3.2.1 Outline .....	4-8
4.3.2.2 Analog Control Performed by the CIS (iR2020/iR2020J/iR2016/iR2016J) .....	4-9
4.3.2.3 Analog Control Performed by the CIS (iR2020i/iR2016i) .....	4-10
4.3.3 Enlargement/Reduction .....	4-10
4.3.3.1 Magnification Change in Vertical Scan Direction .....	4-10
4.3.3.2 Magnification Change in Horizontal Scan Direction .....	4-10
4.3.4 Detecting the Size of Originals .....	4-10
4.3.4.1 Outline .....	4-10
4.3.4.2 Outline of Original Size Detection .....	4-11
4.3.5 Dirt Sensor Control .....	4-12
4.3.5.1 Outline .....	4-12
4.3.6 Image Processing .....	4-14
4.3.6.1 Outline .....	4-14
4.3.6.2 CMOS Sensor Drive .....	4-15
4.3.6.3 CMOS Sensor Output Gain Correction and Offset Correction .....	4-15
4.3.6.4 CMOS Sensor Output A/D Conversion .....	4-15
4.3.6.5 Shading Correction (Outline) .....	4-15
4.3.6.6 Shading Adjustment .....	4-15
4.3.6.7 Shading Correction .....	4-16
4.4 Parts Replacement Procedure .....	4-17
4.4.1 Copyboard glass .....	4-17
4.4.1.1 Removing the Copyboard glass .....	4-17
4.4.1.2 Procedure after Replacing the Copyboard Glass (iR2020i/iR2016i) .....	4-17
4.4.1.3 Removing the ADF Reading Glass .....	4-17
4.4.2 Reader Controller PCB .....	4-17
4.4.2.1 Removing the Rear Cover .....	4-17
4.4.2.2 Removing the Right Cover (Lower) .....	4-18
4.4.2.3 Removing the Right Cover (Upper) .....	4-18
4.4.2.4 Removing the Left Cover (Rear) .....	4-18
4.4.2.5 Removing the Reader Rear Cover .....	4-18
4.4.2.6 Removing the Copyboard glass .....	4-19
4.4.2.7 Removing the Reader Controller PCB .....	4-19
4.4.3 Scanner Motor .....	4-20
4.4.3.1 Removing the Rear Cover .....	4-20
4.4.3.2 Removing the Right Cover (Lower) .....	4-20

4.4.3.3 Removing the Right Cover (Upper).....	4-20
4.4.3.4 Removing the Left Cover (Rear) .....	4-21
4.4.3.5 Removing the Reader Rear Cover .....	4-21
4.4.3.6 Removing the Scanner Motor .....	4-21
4.4.4 Contact sensor .....	4-21
4.4.4.1 Removing the Rear Cover.....	4-21
4.4.4.2 Removing the Right Cover (Lower) .....	4-22
4.4.4.3 Removing the Right Cover (Upper).....	4-22
4.4.4.4 Removing the Left Cover (Rear) .....	4-22
4.4.4.5 Removing the Reader Rear Cover .....	4-22
4.4.4.6 Removing the Copyboard glass .....	4-23
4.4.4.7 Removing the Contact Image Sensor (CIS).....	4-23
4.4.4.8 Procedure after Replacing the CIS (iR2020/iR2020J/iR2016/iR2016J) .....	4-23
4.4.4.9 Procedure after Replacing the CIS (iR2020i/iR2016i).....	4-24
4.4.5 Copyboard Cover Open/Close Sensor .....	4-24
4.4.5.1 Removing the Rear Cover.....	4-24
4.4.5.2 Removing the Right Cover (Lower) .....	4-24
4.4.5.3 Removing the Right Cover (Upper).....	4-24
4.4.5.4 Removing the Left Cover (Rear) .....	4-24
4.4.5.5 Removing the Reader Rear Cover .....	4-24
4.4.5.6 Removing the Copyboard Cover Open/Close Sensor (Front/Rear).....	4-25
4.4.6 Contact Sensor HP Sensor .....	4-25
4.4.6.1 Removing the Copyboard glass .....	4-25
4.4.6.2 Removing the ADF Reading Glass.....	4-25
4.4.6.3 Removing the Contact Sensor HP Sensor.....	4-26
4.4.7 Original Size Sensor .....	4-26
4.4.7.1 Removing the Copyboard glass (iR2020/iR2020J/iR2020i) .....	4-26
4.4.7.2 Removing the Original Sensor (Vertical Scan Direction) (iR2020/iR2020J/iR2020i) .....	4-27
4.4.7.3 Removing the Original Sensor (Horizontal Scan Direction) (iR2020/iR2020J/iR2020i) .....	4-27
4.4.8 Reader Heater (option).....	4-28
4.4.8.1 Removing the Copyboard glass .....	4-28
4.4.8.2 Removing the Reader Heater (Right) .....	4-28
4.4.8.3 Removing the Reader Front Cover .....	4-29
4.4.8.4 Removing the ADF Reading Glass.....	4-29
4.4.8.5 Removing the Reader Heater (Left).....	4-29



## 4.1 Construction

### 4.1.1 Specifications, Control Methods, and Functions (iR2020/iR2020J/iR2020i)

iR2020 / / iR2020i

Major specifications, control methods, and functions of the original exposure system are summarized below.

T-4-1

Item	Function/Method
Exposure light source	LED
Original scan	In BOOK mode: Original scan is performed by moving the contact image sensor (CIS). When ADF is used: Original stream reading is performed with the contact image sensor (CIS) fixed.
Scan resolution	600 dpi (vertical scan) x 600 dpi (horizontal scan) (Color send: 300 dpi horizontal scan)
Gradation	256
Carriage position detection	Contact image sensor (CIS) HP sensor (SR401)
Magnification range	50% to 200%
	Vertical scan direction: Image processing is by image processor PCB
	Horizontal scan direction:
	BOOK mode: Carriage movement speed change and image processing by image processor PCB *1
	ADF mode: Original feed speed change and image processing by image processor PCB *1
Lens	Rod lens array
CMOS sensor	Number of lines: 1 Number of pixels: Total 7488 (incl. 7176 effective pixels) Maximum original scan width: 304 mm
CIS drive control	Drive control by reader motor (M401)
Original size detection	[1] BOOK mode: Vertical scan direction: Detection by reflection type sensor (AB/INCH) Horizontal scan direction: Detection by reflection type sensor (AB/INCH) [2] When ADF is used Width: Detection by original width sensor PCB in ADF Length: Detection by photo sensor in ADF

\*1 The control method depends on the magnification. For more details, refer to "Magnification Change".

### 4.1.2 Specifications, Control Methods, and Functions (iR2016/iR2016J/iR2016i)

iR2016J / iR2016 / iR2016i

Major specifications, control methods, and functions of the original exposure system are summarized below.

T-4-2

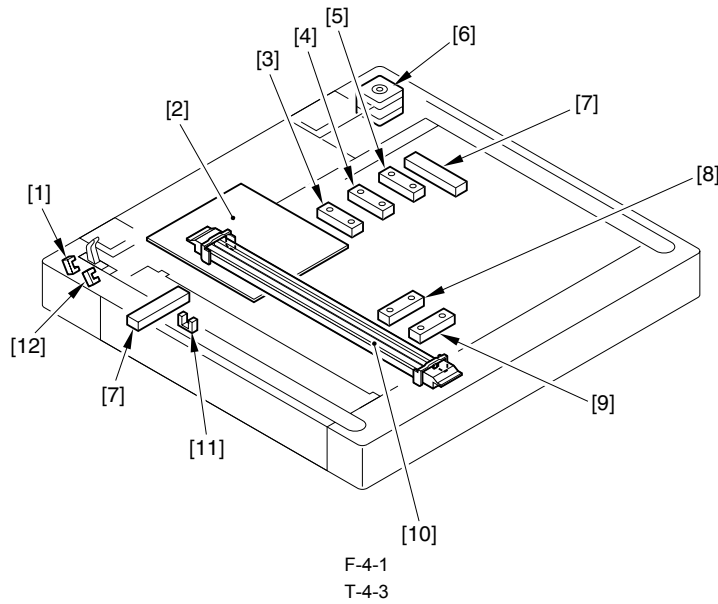
Item	Function/Method
Exposure light source	LED
Original scan	In BOOK mode: Original scan is performed by moving the contact image sensor (CIS). When ADF is used: Original stream reading is performed with the contact image sensor (CIS) fixed.
Scan resolution	600 dpi (vertical scan) x 600 dpi (horizontal scan) (Color send: 300 dpi horizontal scan)
Gradation	256
Carriage position detection	Contact image sensor (CIS) HP sensor (SR401)
Magnification range	50% to 200%
	Vertical scan direction: Image processing is by image processor PCB
	Horizontal scan direction:
	BOOK mode: Carriage movement speed change and image processing by image processor PCB *1
	ADF mode: Original feed speed change and image processing by image processor PCB *1
Lens	Rod lens array
CMOS sensor	Number of lines: 1 Number of pixels: Total 7488 (incl. 7176 effective pixels) Maximum original scan width: 304 mm
CIS drive control	Drive control by reader motor (M401)
Original size detection	[1] BOOK mode: not used [2] When ADF is used Width: Detection by original width sensor PCB in ADF Length: Detection by photo sensor in ADF

\*1 The control method depends on the magnification. For more details, refer to "Magnification Change".

### 4.1.3 Major Components (iR2020/iR2020J/iR2020i)

iR2020 / / iR2020i

Major components of the original exposure system are as follows:



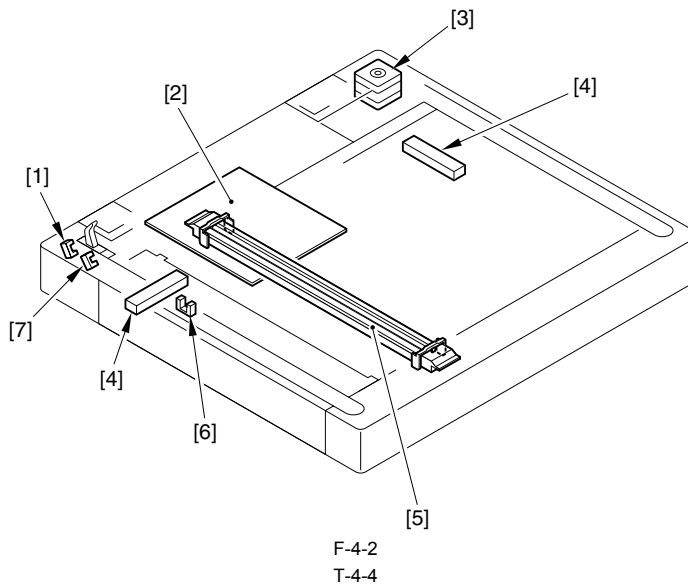
Component	No.	Function/Specification
[1] Copyboard cover open/close sensor (Rear: SR402)	SR402	Photo interrupter: Detects the copyboard cover open/close status. Starts detecting the original size when the copyboard cover angle is 30 deg.
[2] Reader controller PCB	-	Controls drive of the reader unit and image processing.
[3] Original sensor 3	SR406	Detects the original size (for all destinations).
[4] Original sensor 4	SR407	Detects the original size (AB, INCH/AB).
[5] Original sensor 5	SR408	Detects the original size (INCH/A)
[6] Reader motor	M401	Pulse motor: Controls drive of the carriage.
[7] Reader heater*1	-	Prevents condensation inside the original glass.
[8] Original sensor 1	SR404	Detects the original size (AB, INCH/A, INCH/AB).
[9] Original sensor 2	SR405	Detects the original size (AB, A, INCH/AB)
[10] Contact image sensor (CIS)	-	Uses LEDs for indirect exposure (LED + Photoconductor)
[11] CISHP sensor	SR401	Photo interrupter: Detects the CIS position.
[12] Copyboard cover open/close sensor	SR403	Finishes detecting the original size when the copyboard cover angle is 5 deg.

\*1 Option setting

#### 4.1.4 Major Components (iR2016/iR2016J/iR2016i)

iR2016J / iR2016 / iR2016i

Major components of the original exposure system are as follows:



Component	No.	Function/Specification
[1] Copyboard cover open/close sensor (Rear: SR402)	SR402	Photo interrupter: Detects the copyboard cover open/close status. Starts detecting the original size when the copyboard cover angle is 30 deg.

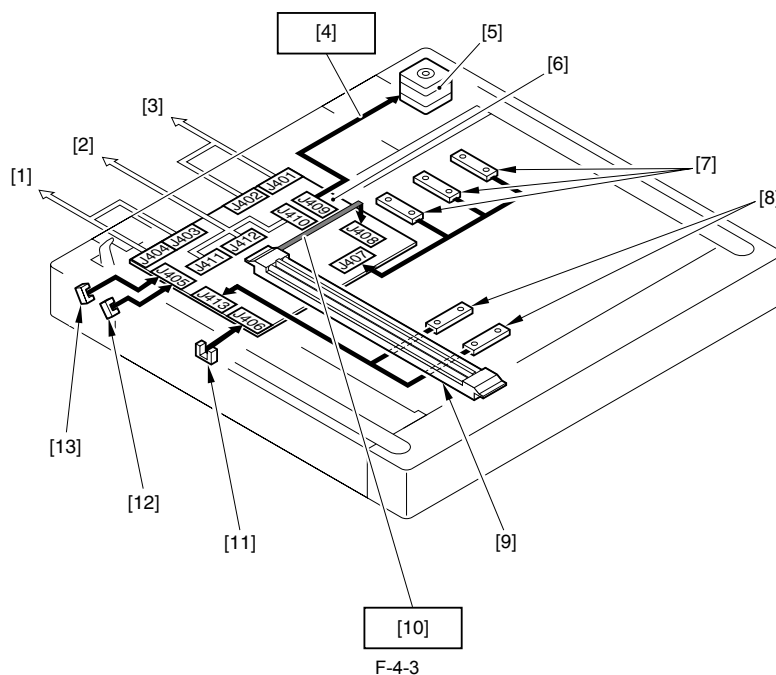
	Component	No.	Function/Specification
[2]	Reader controller PCB	-	Controls drive of the reader unit and image processing.
[3]	Reader motor	M401	Pulse motor: Controls drive of the carriage.
[4]	Reader heater*1	-	Prevents condensation inside the original glass.
[5]	Contact image sensor (CIS)	-	Uses LEDs for indirect exposure (LED + Photoconductor)
[6]	CISHP sensor	SR401	Photo interrupter: Detects the CIS position.
[7]	Copyboard cover open/close sensor	SR403	Finishes detecting the original size when the copyboard cover angle is 5 deg.

\*1 Option setting

#### 4.1.5 Control System Configuration (iR2020/iR2020J/iR2020i)

iR2020 / / iR2020i

The control system configuration of the original exposure system is shown below.

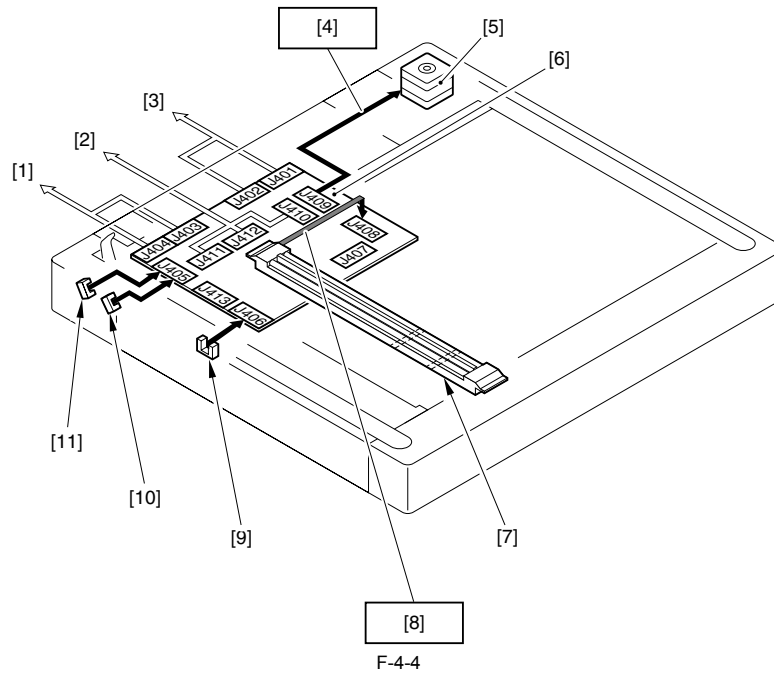


- [1] Printer main body (Connected to the image processor PCB)
- [2] Connected to ADF
- [3] Connected to the power supply PCB
- [4] Reader motor drive control
- [5] Reader motor (M401)
- [6] Reader controller PCB
- [7] Original sensor (horizontal scan direction)
- [8] Original sensor (vertical scan direction)
- [9] Contact image sensor
- [10] Image signal
- [11] CISHP sensor (PS503)
- [12] Copyboard cover open/close sensor (Front: SR403)
- [13] Copyboard cover open/close sensor (Front: SR402)

#### 4.1.6 Control System Configuration (iR2016/iR2016J/iR2016i)

iR2016J / iR2016 / iR2016i

The control system configuration of the original exposure system is shown below.

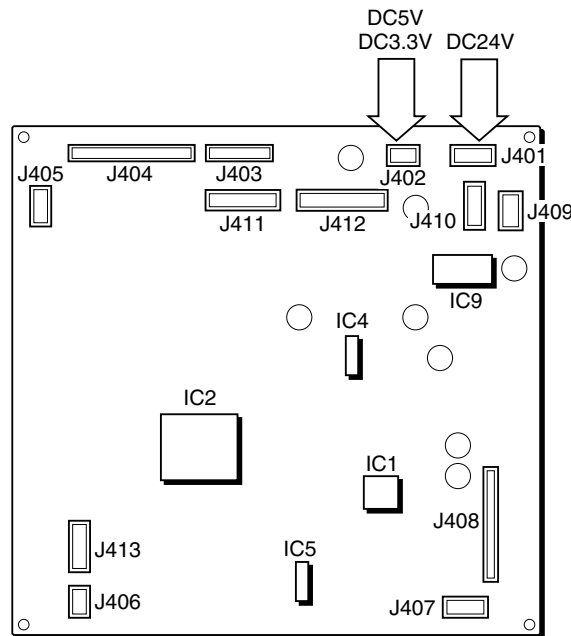


- [1] Printer main body (Connected to the image processor PCB)
- [2] Connected to ADF
- [3] Connected to the power supply PCB
- [4] Reader motor drive control
- [5] Reader motor (M401)
- [6] Reader controller PCB
- [7] Contact image sensor
- [8] Image signal
- [9] CISHP sensor (PS503)
- [10] Copyboard cover open/close sensor (Front: SR403)
- [11] Copyboard cover open/close sensor (Front: SR402)

**4.1.7 Reader Controller PCB (iR2020/iR2020J/iR2020i)**

iR2020 / / iR2020i

The functional configuration of the reader controller PCB is shown below.



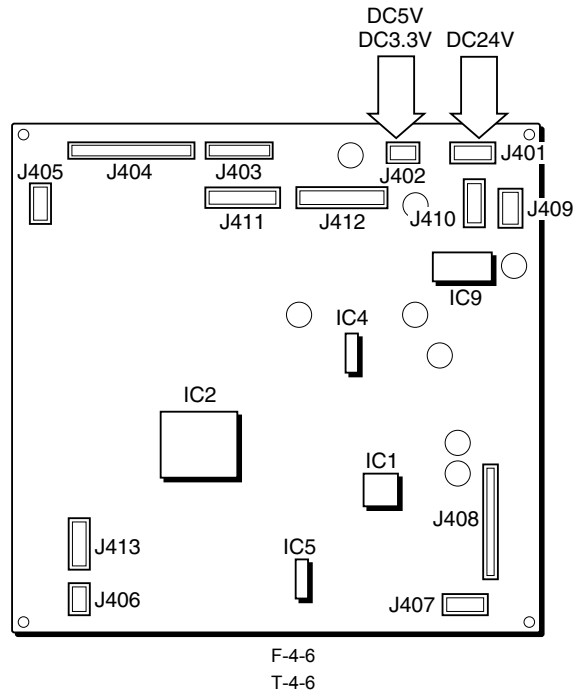
Jack No.	Function
J401	Supplies power (24 VDC) from the main body (printer).
J402	Supplies power (5 VC, 3.3 VDC) from the main body (printer).
J403	Communicates with the main body (printer) (to control the ADF).
J404	Communicates with the main body (printer).
J405	Connected to the copyboard open/close sensor.

Jack No.	Function
J406	Connected to the contact image sensor (CIS) HP sensor.
J407	Connected to the original sensor 1 and original sensor 2.
J408	Connected to the contact image sensor (CIS).
J409	Connected to the reader motor.
J410	Supplies power to the ADF.
J411	Communicates with the ADF (to drive the sensor).
J412	Communicates with the ADF (to drive the motor).
J413	Connected to the original sensor 3, original sensor 4, and original sensor 5.

#### 4.1.8 Reader Controller PCB (iR2016J/iR2016J/iR2016i)

iR2016J / iR2016 / iR2016i

The functional configuration of the reader controller PCB is shown below.

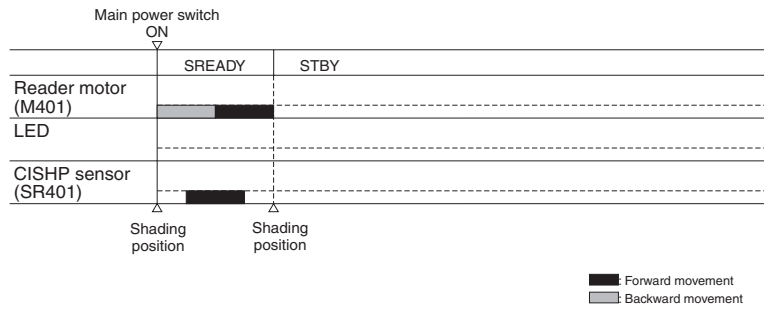


Jack No.	Function
J401	Supplies power (24 VDC) from the main body (printer).
J402	Supplies power (5 VC, 3.3 VDC) from the main body (printer).
J403	Communicates with the main body (printer) (to control the ADF).
J404	Communicates with the main body (printer).
J405	Connected to the copyboard open/close sensor.
J406	Connected to the contact image sensor (CIS) HP sensor.
J407	Not used.
J408	Connected to the contact image sensor (CIS).
J409	Connected to the reader motor.
J410	Supplies power to the ADF.
J411	Communicates with the ADF (to drive the sensor).
J412	Communicates with the ADF (to drive the motor).
J413	Not used.

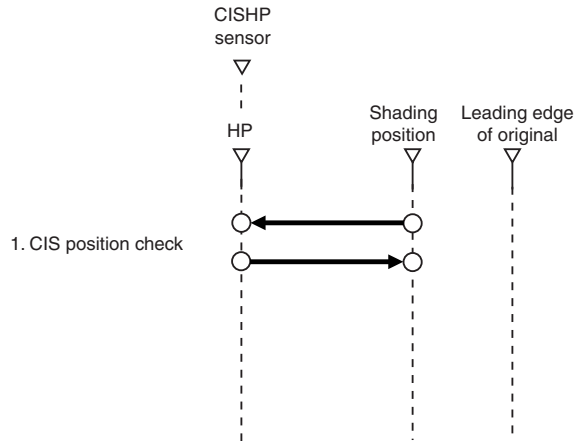
## 4.2 Basic Sequence

### 4.2.1 Basic Sequence at Power-on

iR2016J / iR2016 / iR2020 / / iR2016i / iR2020i



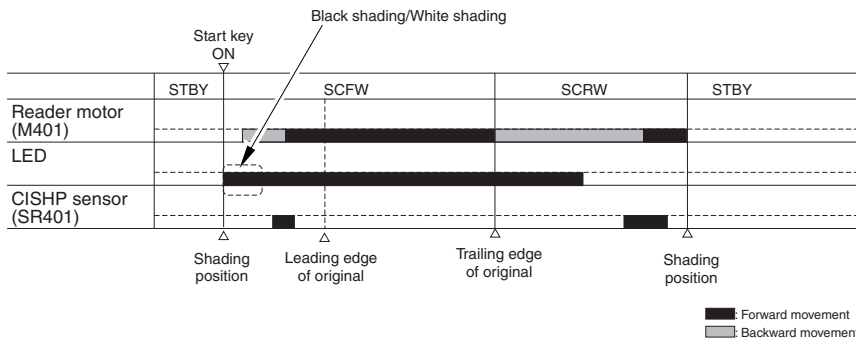
F-4-7



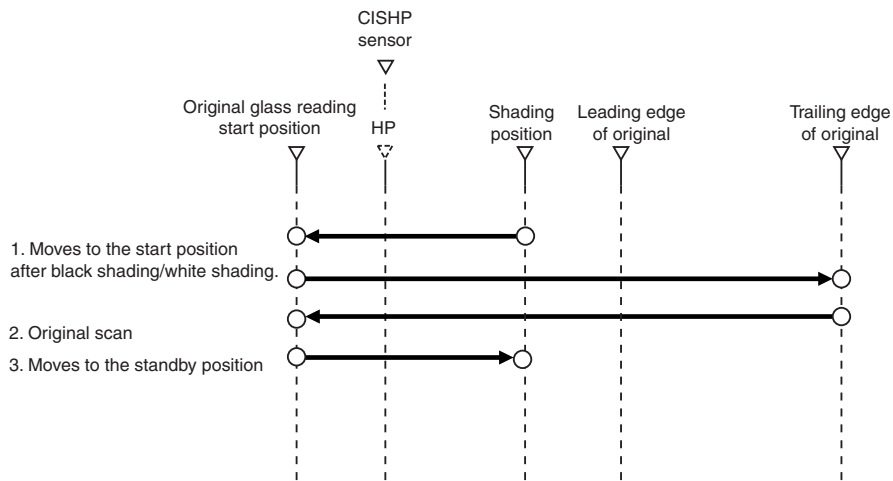
F-4-8

4.2.2 Basic Sequence after Depression of Start Key (Book mode, One Sheet of original)

iR2016J / iR2016 / iR2020 / / iR2016i / iR2020i



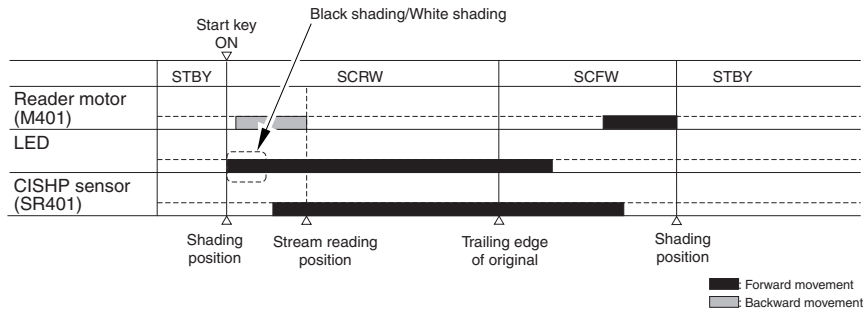
F-4-9



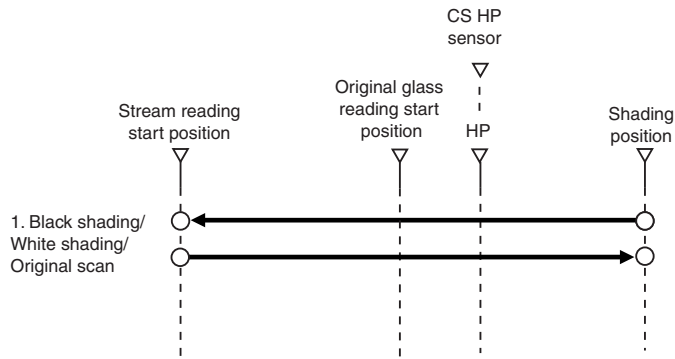
F-4-10

4.2.3 Basic Sequence after Depression of Start Key (ADF Mode, One Sheet of Original)

iR2016J / iR2016 / iR2020 / / iR2016i / iR2020i



F-4-11



F-4-12

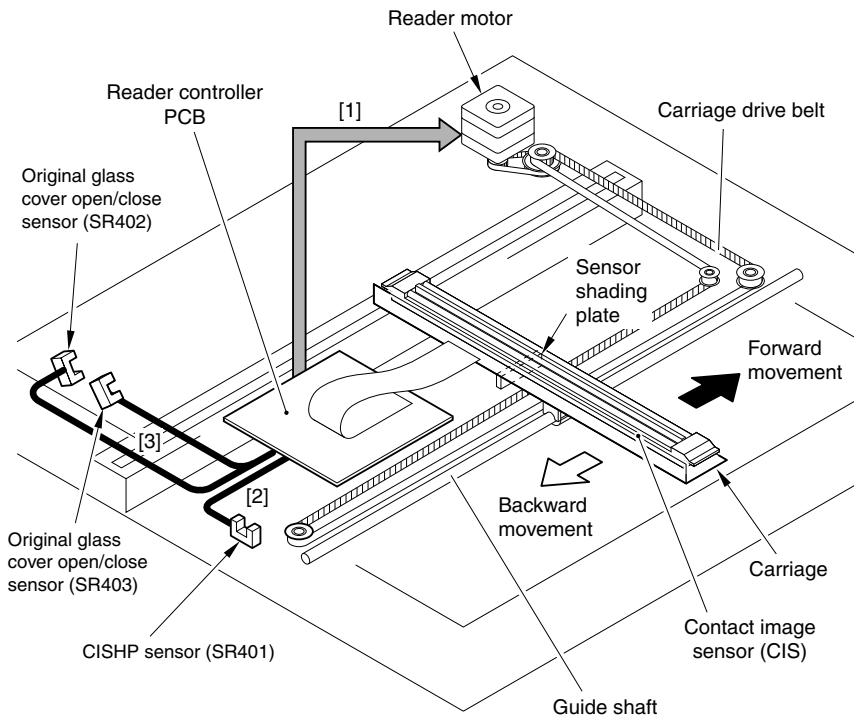
### 4.3 Various Control

#### 4.3.1 Controlling the Scanner Drive System

##### 4.3.1.1 Outline

iR2016J / iR2016 / iR2020 / / iR2016i / iR2020i

The machine's scanner system consists of the following components:



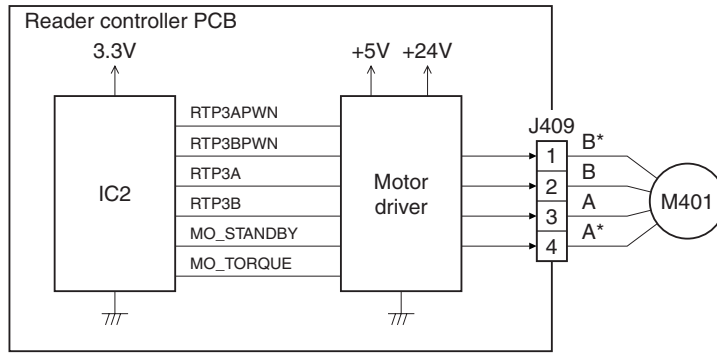
F-4-13

- [1] Reader motor (M401) drive signal  
Controls rotation/stop and rotational direction/speed of the reader motor.
- [2] Contact image sensor (CIS) HP sensor (SR401) signal  
Detects that the contact image sensor (CIS) is at the home position.
- [3] Copyboard cover sensor (SR403 (front)/SR402 (rear)) signal  
Detects the open/close status of the copyboard cover.

**4.3.1.2 Reader Motor Control**

iR2016J / iR2016 / iR2020 / / iR2016i / iR2020i

The reader motor driver controls rotation/stop and rotational direction/speed of the reader motor based on the signals from IC2.



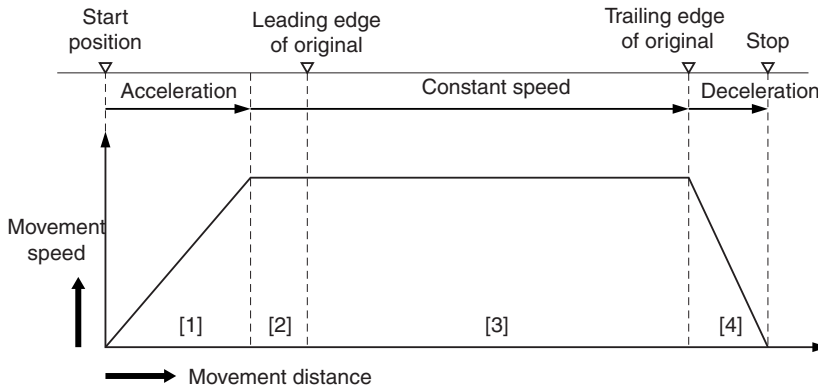
F-4-14

**MEMO:**

The scan speed of this machine is as follows:  
 Copy (100%): 118 mm/sec  
 Color send (300 dpi x 300 dpi): 28 mm/sec

**a. Forward Movement during Image Scan**

During image scan, operation of the contact image sensor (CIS) is controlled by controlling the motor as shown below.



- [1] Acceleration area: The motor accelerates to the speed specified for each mode.
- [2] Runup area: A margin to stabilize the speed.
- [3] Image read area: The image is read at a constant speed.
- [4] Deceleration area: Upon detection of the trailing edge, the motor decelerates rapidly and stops.

F-4-15

**b. Backward Movement after Image Scan**

After image scan, the carriage moves back to the contact image sensor (CIS) shading position at the constant speed (118 mm/sec).

**4.3.2 Contact Image Sensor (CIS)**

**4.3.2.1 Outline**

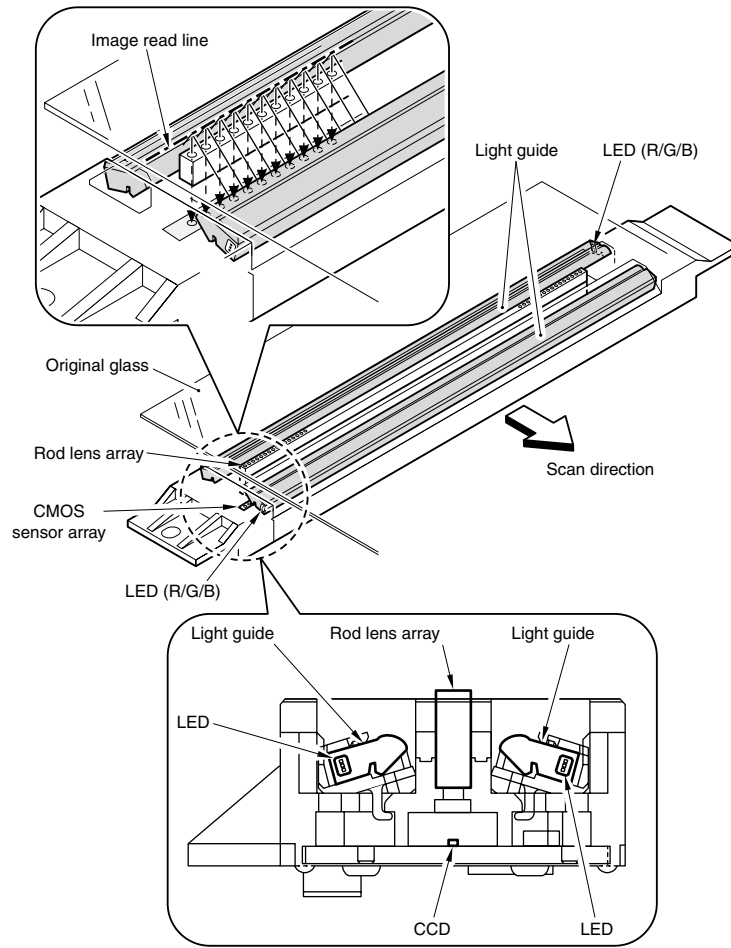
iR2016J / iR2016 / iR2020 / / iR2016i / iR2020i

The original is exposed to light and read using the contact image sensor (CIS) to read the image on a line-by-line basis.

T-4-7

Component	Function
LED	Illuminates the original.
Light guide	Illuminates the entire image line with the LED light.
Rod lens array	Collects the light reflected by the original.
CMOS sensor array	Receives the light that passed through the rod lens array.





F-4-16

#### 4.3.2.2 Analog Control Performed by the CIS (iR2020/iR2020J/iR2016/iR2016J)

iR2016J / iR2016 / iR2020 /

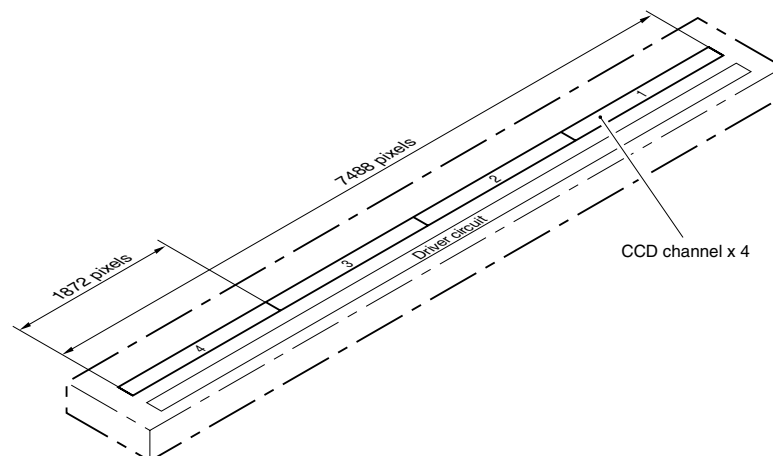
The flow of analog image processing performed by the contact image sensor (CIS) is as follows:

The light reflected by the original is collected by the rod lens array.

- The light is received by the CMOS sensor array.
- The CMOS sensor array converts the received light to an electric signal and outputs it.

The CMOS sensor array consists of four channels (units).

Each channel is provided with an output correction table to output an image signal after performing gain correction for the input brightness signal.



F-4-17

- After replacing the contact image sensor (CIS), go through the following steps to perform inter-channel output correction:

- 1) Enter the service mode.  
Sequentially press the User Mode key, 2 key, 8 key, and User Mode key on the operation panel.
- 2) Using the arrow keys on the operation panel, display "TEST MODE".
- 3) Press the OK key.
- 4) Press the 2 key. "SCAN TEST" appears.
- 5) Press the 1 key.

After completion of the above steps, contact sensor output correction will be performed and parameters will be set automatically.

### 4.3.2.3 Analog Control Performed by the CIS (iR2020i/iR2016i)

iR2016i / iR2020i

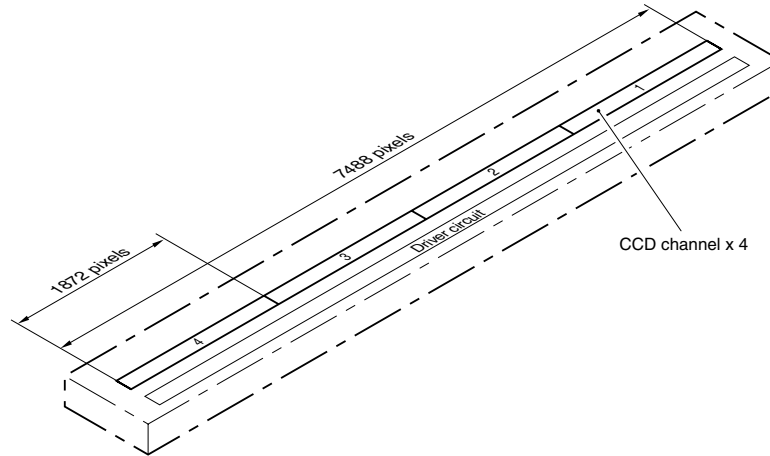
The flow of analog image processing performed by the contact image sensor (CIS) is as follows:

The light reflected by the original is collected by the rod lens array.

- The light is received by the CMOS sensor array.
- The CMOS sensor array converts the received light to an electric signal and outputs it.

The CMOS sensor array consists of four channels (units).

Each channel is provided with an output correction table to output an image signal after performing gain correction for the input brightness signal.



F-4-18

- After replacing the contact image sensor (CIS), go through the following steps to perform inter-channel output correction:

1) Enter the service mode.

Sequentially press the Additional functions key, 2 key, 8 key, and Additional functions key on the operation panel.

2) Press the arrow key on the touch panel to display "TEST MODE".

3) Press [OK].

4) Press the [2] key to display "SCAN TEST".

5) Press the [1] key to display "SHADING".

6) Press [OK].

After completion of the above procedure, the contact sensor output is compensated and parameters are set automatically.

After completion of automatic adjustment, "OK" is displayed.

### 4.3.3 Enlargement/Reduction

#### 4.3.3.1 Magnification Change in Vertical Scan Direction

iR2016J / iR2016 / iR2020 / / iR2016i / iR2020i

In the Book mode or when the ADF is used

In the vertical scan direction, the image is read at 100%. Magnification is changed by processing data on the image processor PCB.

#### 4.3.3.2 Magnification Change in Horizontal Scan Direction

iR2016J / iR2016 / iR2020 / / iR2016i / iR2020i

In the horizontal scan direction, magnification is changed as follows depending on the selected magnification rate:

1) When magnification is reduced to 50-99%

a. In the Book mode

Data is processed on the image processor PCB with the original scan speed held at 118 mm/sec.

b. When the ADF is used

The original feed speed is changed within the range of 118 mm/sec to 236 mm/sec depending on the selected magnification rate. Data is not processed on the image processor PCB.

2) When magnification is increased to 100-200%

The original scan speed (in the Book mode)/original feed speed (when the ADF is used) is changed within the range of 118 mm/sec to 59 mm/sec depending on the selected magnification rate. Data is not processed on the image processor PCB.

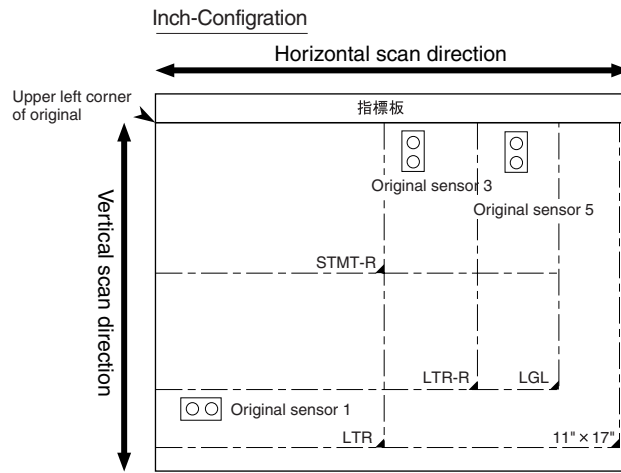
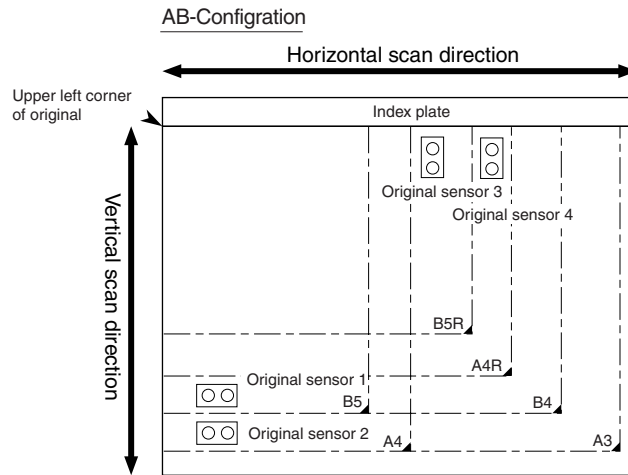
### 4.3.4 Detecting the Size of Originals

#### 4.3.4.1 Outline

iR2020 / / iR2020i

The original size is identified by the combination of presence and absence of output levels of the reflection type sensors as summarized in the tables below.

- Absence of paper: The light reflected from the reflection type sensor changes when the copyboard cover is open/close.
  - Presence of paper: The light reflected from the reflection type sensor does not change when the copyboard cover is open/close.
- This machine is provided with the following sensors. Locations of the sensors are shown below.
- Vertical scan direction: Reflection type photo sensors (2 locations for AB; 1 location for Inch)
  - Horizontal scan direction: Reflection type photo sensors (2 locations for AB; 2 locations for Inch)



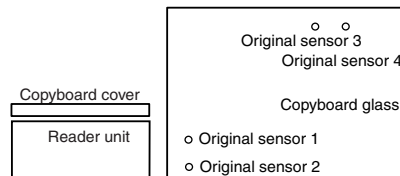
F-4-19

**4.3.4.2 Outline of Original Size Detection**

iR2020 / / iR2020i

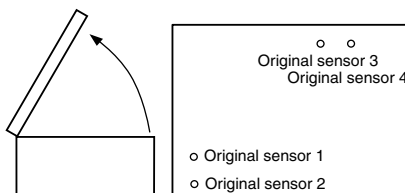
- In the BOOK mode  
One sheet of original (A4R) is set and the copyboard cover (or ADF) is closed.

- 1) Standby state  
Original sensor: Turns off.



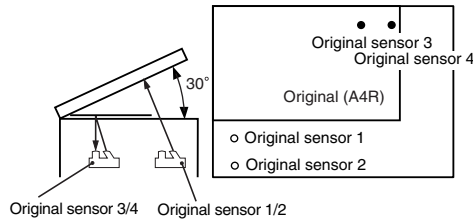
F-4-20

- 2) The copyboard cover opens (at an angle of more than 30°).  
Original sensor: Turns off.



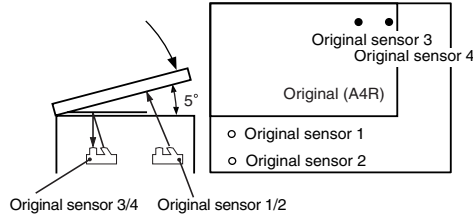
F-4-21

- 3) The copyboard cover is closed (at an angle of 30 deg).  
Original sensor: Turns on and original size identification process 1 is performed.



F-4-22

4) The copyboard cover is closed (at an angle of more than 5 deg but less than 30 deg)  
Original sensor: Turns on and original size identification process 2 is performed.



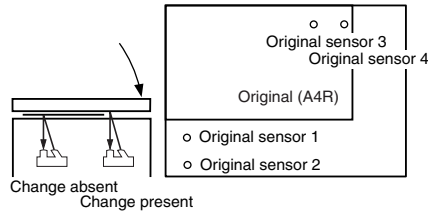
F-4-23

5) The original cover is closed (at an angle of 5 deg or less)  
The original size is identified.  
Original sensor: Turns off.

In identifying the original size, the data obtained in the original size identification process 1 is compared with the data obtained in the original size identification process 2 to check whether these two pieces of data are identical.

Note that a wrong original size may be identified because the sensor output level does not change in the following cases:

- When the original is A3-sized black
- When the original is a book (its thickness does not allow the copyboard cover to close fully, making it difficult to detect the sensor level change).
- When the copyboard cover is not closed fully (the sensor level change is not detected after lapse of the above time-out time)



F-4-24

Before original size identification processes 1 and 2 are performed, the original size is detected with original sensors as follows:

AB-Configuration					Inch-Configuration			
Original size	Original sensor 1	Original sensor 2	Original sensor 3	Original sensor 4	Original size	Original sensor 1	Original sensor 3	Original sensor 5
A3	○	○	○	○	11"X17"	○	○	○
A4	○	○	●	●	LTR	○	●	●
B4(8K)*1	○	●	○	○	LGL	●	○	○
B5(16K)*1	●	○	○	○	LTR-R	●	○	●
A4R	●	●	○	○	No original	●	●	●
B5R(16K)*1	●	●	○	●				
No original	●	●	●	●				

○ :No original  
● :Change absent

F-4-25

\* For Chinese paper, the following sizes are detected:  
8K:Equivalent to B4 size  
16K:Equivalent to B5 size

### 4.3.5 Dirt Sensor Control

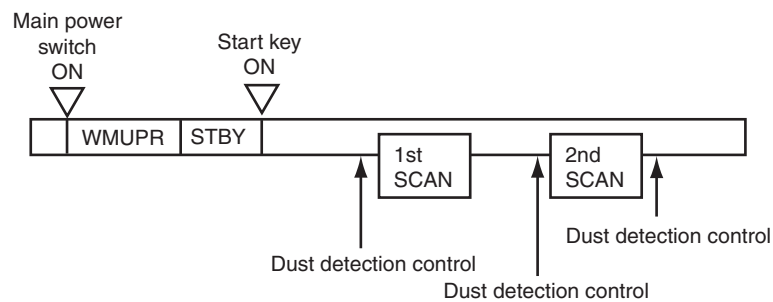
#### 4.3.5.1 Outline

iR2016J / iR2016 / iR2020 / / iR2016i / iR2020i

The machine changes the original read position or corrects the read image depending on the presence/absence of dust on the stream reading glass or ADF platen roller, thus preventing dust from showing up in the image. This control is performed only when the ADF is used and it is closed.

#### [Control Timing]

- At job end
- Immediately before scanning (one sheet at a time)



F-4-26

**[Description of Control]**

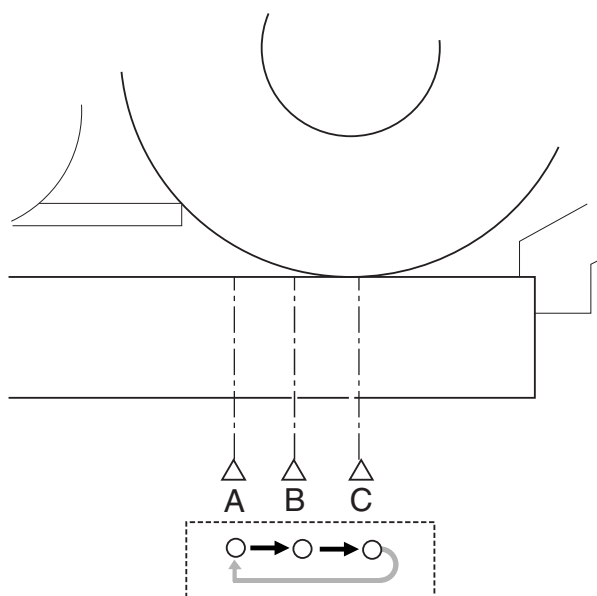
- At job end (Dust detection)

The contact image sensor (CIS) checks the light reflected by the ADF platen roller surface at the read position for presence/absence of dust. After completion of a job, dust detection is performed maximum six times in 3 point of A, B and C. First, dust detection is performed once at position A. If no dust is detected at position A, dust detection is performed twice there. If no dust is detected, the original is scanned at position A. If dust is detected at position A, move to position B and dust detection is performed twice at position B. If no dust is detected at position B, the original is scanned at position B. If dust is also detected at position B, move to position C and dust detection is performed once at position C. If dust is also detected at position C, a relevant message is displayed on the operation panel. In this case, move back to position A and the original is scanned at position A.



- At job start (Dust bypass)

Presence/absence of dust is detected at all points A, B, and C in this order at job end. The original is read at the point where least dust is detected.



F-4-27

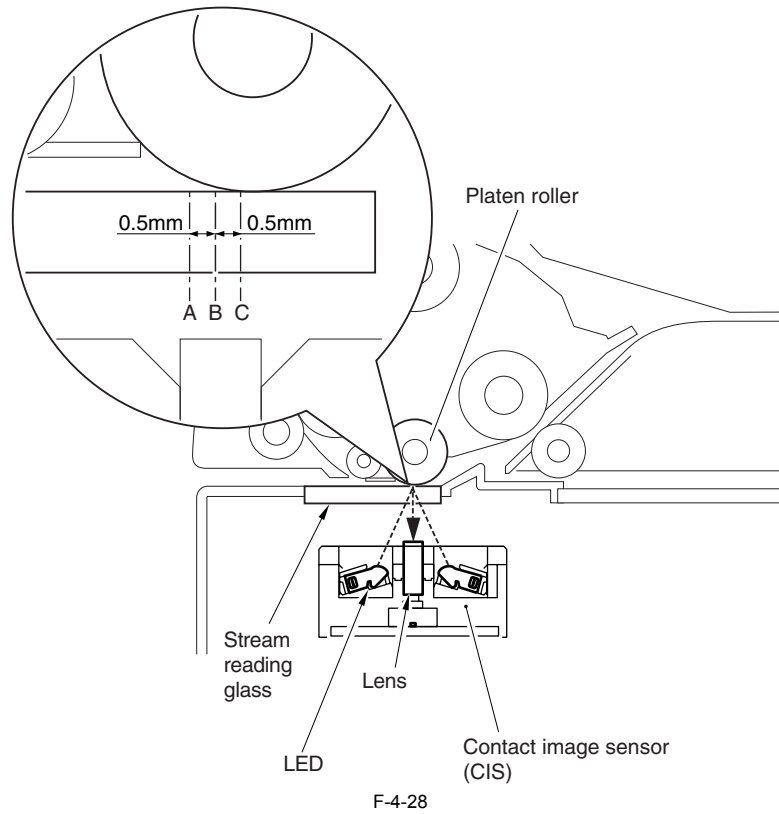
- Immediately before scanning (one sheet at a time)

The contact image sensor (CIS) does not move to detect dust.

The original is read at the position determined at job end or start. If presence of dust is detected there, the read image is corrected.

T-4-8

Point	Description
A	Read reference position
B	out 0.5 mm from the reference position to the inside of the roller
C	About 1.0 mm from the reference position to the inside of the roller



### 4.3.6 Image Processing

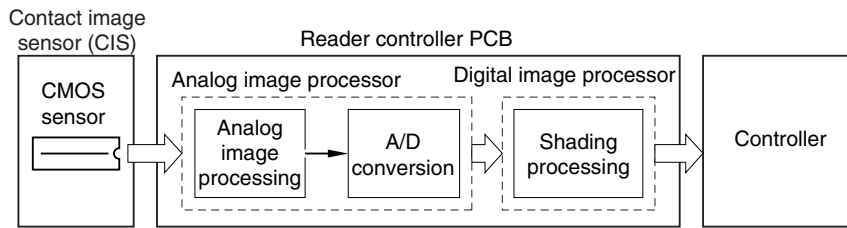
#### 4.3.6.1 Outline

iR2016J / iR2016 / iR2020 / iR2016i / iR2020i

Major specifications and functions of the image processing system are as follows:

T-4-9

- |   |   |
|---|---|
| <ul style="list-style-type: none"> <li>- CMOS sensor</li> <li>- Shading correction</li> </ul> | <p>Number of lines: 1<br/>                 Number of pixels: Total 7488 (incl. 7176 effective pixels)<br/>                 Pixel size: 32 x 46.9 <math>\mu</math>m</p> <p>Shading correction: Made for each job.<br/>                 Shading adjustment: Made in the Service mode.</p> |
|---|---|



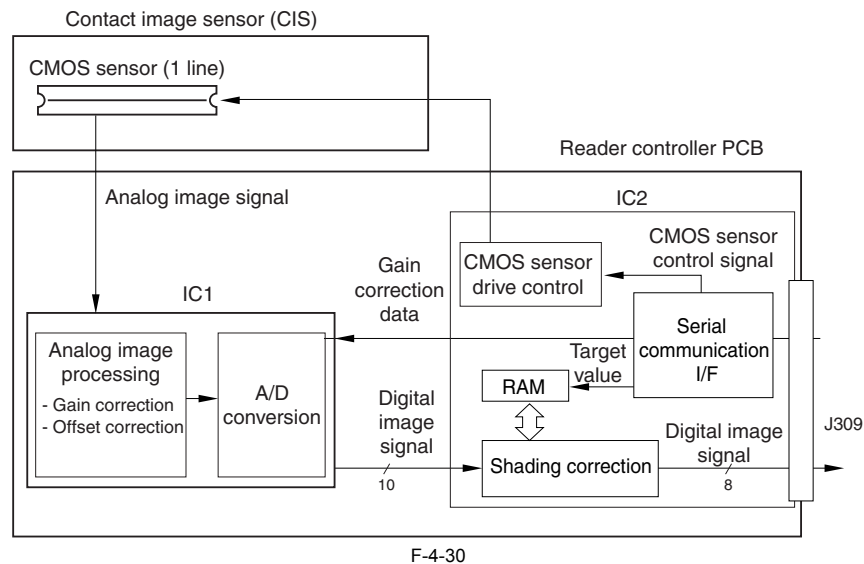
Functions of the image processing system are summarized below.

T-4-10

- |   |   |
|---|---|
| <ul style="list-style-type: none"> <li>- Reader controller PCB</li> </ul> | <p>CMOS sensor drive, analog image processing, A/D conversion, and shading correction</p> |
|---|---|

The reader controller PCB is used to process images on a line-by-line basis. Its major functions are as follows:

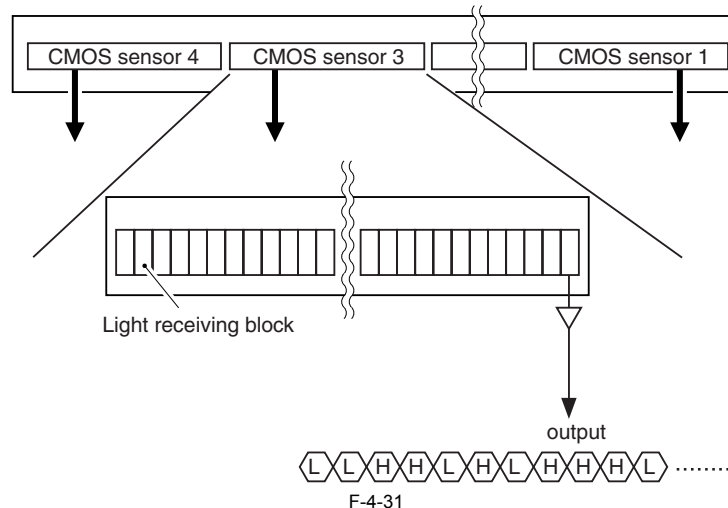
- 1) Analog image processing
  - CMOS sensor drive
  - CMOS sensor output gain correction and offset correction
  - CMOS sensor output A/D conversion
- 2) Digital image processing
  - Shading correction



#### 4.3.6.2 CMOS Sensor Drive

iR2016J / iR2016 / iR2020 / / iR2016i / iR2020i

The CMOS sensor used in this machine is a 1-line linear image sensor consisting of 7488 photocells. After completion of photoelectric conversion in the light-receiving block, the signals are output to the AP circuit in the reader controller PCB in parallel for each channel (total four channels) of the CMOS sensor array.



#### 4.3.6.3 CMOS Sensor Output Gain Correction and Offset Correction

iR2016J / iR2016 / iR2020 / / iR2016i / iR2020i

The analog video signals output from the CMOS sensor are corrected so that they will have a specific gain level (gain correction), and the output voltages generated in the absence of incident light are also corrected so that they will have a specific offset level (offset correction).

#### 4.3.6.4 CMOS Sensor Output A/D Conversion

iR2016J / iR2016 / iR2020 / / iR2016i / iR2020i

After completion of the above corrections, the analog video signals are converted to digital signals corresponding to individual pixel voltage levels by the A/D converter.

#### 4.3.6.5 Shading Correction (Outline)

iR2016J / iR2016 / iR2020 / / iR2016i / iR2020i

The CMOS sensor outputs are necessary even for the following reasons even when the density of the original is uniform:

- (1) Variation in sensitivity among CMOS sensor pixels
- (2) Variation in light intensity of rod lens array

The machine performs shading correction to even out the CMOS sensor output.

There are two types of shading correction: shading adjustment performed in the Service mode and shading correction performed for each job.

#### 4.3.6.6 Shading Adjustment

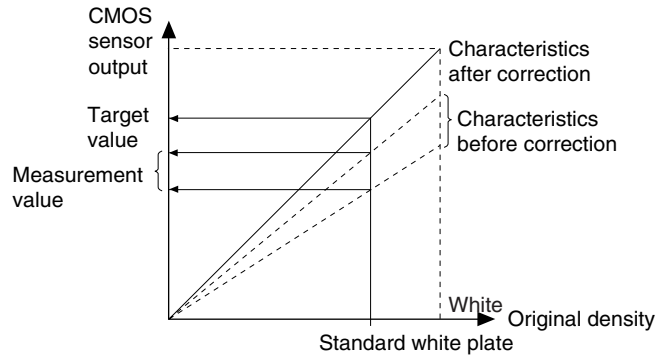
iR2016J / iR2016 / iR2020 / / iR2016i / iR2020i

The machine measures the density of the standard white plate, and stores the measured density data. It then processes the stored data to use it as the target value for shading correction.

### 4.3.6.7 Shading Correction

iR2016J / iR2016 / iR2020 / / iR2016i / iR2020i

The machine performs shading correction for each scan. It measures the density of the standard white plate, and compares the measured value with the target value stored in the shading correction circuit to use the difference between the two as the shading correction value. The machine uses this shading correction value to correct the variation among CMOS sensor pixels when scanning the original, thus evening out the image density level.





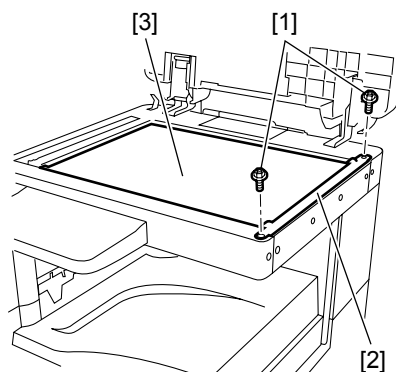
## 4.4 Parts Replacement Procedure

### 4.4.1 Copyboard glass

#### 4.4.1.1 Removing the Copyboard glass

iR2016J / iR2016 / iR2020 / iR2016i / iR2020i

- 1) Open the copyboard cover (or ADF).
- 2) Remove the two screws [1], remove the glass retainer [2], and then remove the copyboard glass [3].

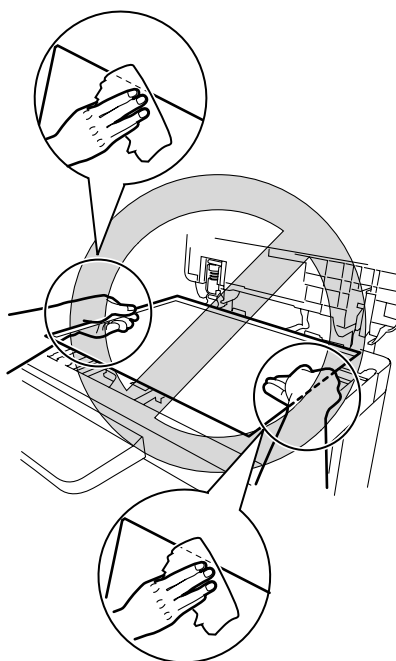


F-4-33

**⚠** When removing the copyboard glass, take care not to touch the following:

- Glass surface
- Standard white plate

Dirt on these parts can show up as white/black lines in the image. If dirt is found, remove it with lint-free paper moistened with alcohol.



F-4-34



F-4-35

### 4.4.1.2 Procedure after Replacing the Copyboard Glass (iR2020i/iR2016i)

iR2016i / iR2020i

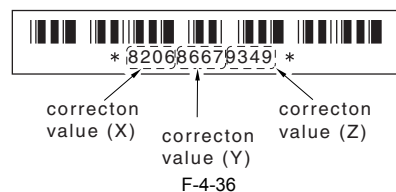
After replacing the copyboard glass, enter the correction values (X, Y, Z) of the standard white plate which are indicated on the back of the new copyboard glass in the service mode.

Correction value (X): Service mode>#SCAN>#SCAN NUMERIC>No.213

Correction value (Y): Service mode>#SCAN>#SCAN NUMERIC>No.214

Correction value (Z): Service mode>#SCAN>#SCAN NUMERIC>No.215

Also, rewrite the values on the service label.

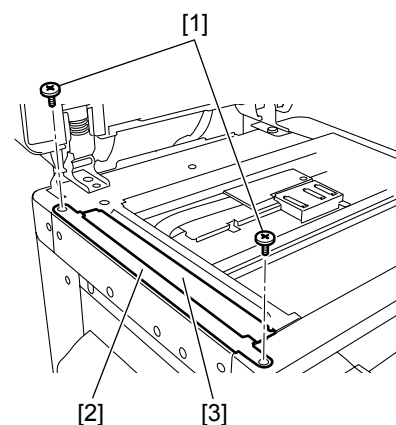


F-4-36

#### 4.4.1.3 Removing the ADF Reading Glass

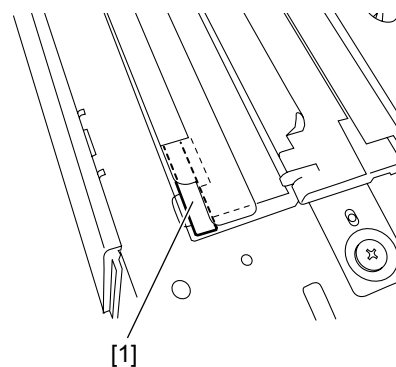
iR2016J / iR2016 / iR2020 / iR2016i / iR2020i

- 1) Open the copyboard cover (or ADF).
- 2) Remove the two screws [1], and then remove the glass retainer [2].
- 3) Remove the ADF reading glass [3].



F-4-37

- ⚠**
- When removing the ADF reading glass, take care not to touch the glass surface. Dirt on these parts can show up as white/black lines in the image. If dirt is found, remove it with lint-free paper moistened with alcohol.
  - When installing the ADF reading glass, position the cut portion [1] of the ADF reading glass sheet at the front-left corner.



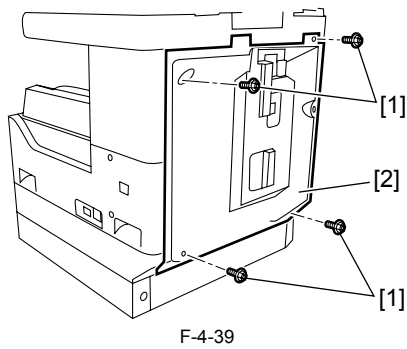
F-4-38

### 4.4.2 Reader Controller PCB

#### 4.4.2.1 Removing the Rear Cover

iR2016J / iR2016 / iR2020 / iR2016i / iR2020i

- 1) Remove the four screws [1], and then detach the rear cover [2].

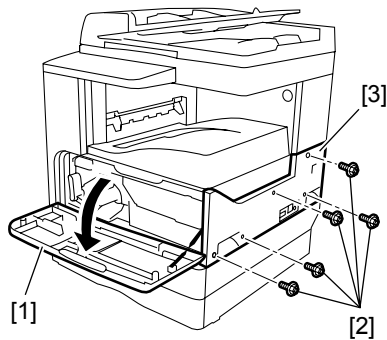


F-4-39

#### 4.4.2.2 Removing the Right Cover (Lower)

iR2016J / iR2016 / iR2020 / / iR2016i / iR2020i

- 1) Open the front cover.
- 2) Remove the five screws [1]. Remove the two hooks [2], and then detach the right cover (lower) [3].

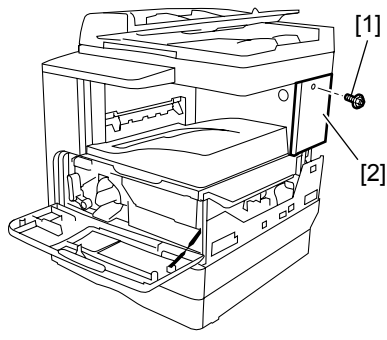


F-4-40

#### 4.4.2.3 Removing the Right Cover (Upper)

iR2016J / iR2016 / iR2020 / / iR2016i / iR2020i

- 1) Remove the screw [1], and then detach the right cover (upper).

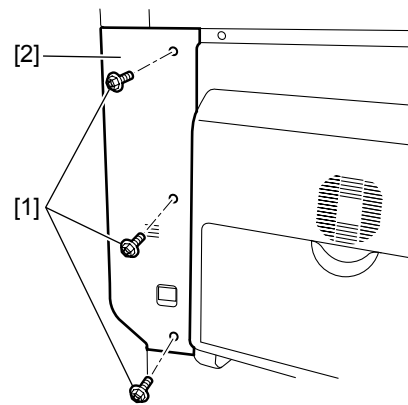


F-4-41

#### 4.4.2.4 Removing the Left Cover (Rear)

iR2016J / iR2016 / iR2020 / / iR2016i / iR2020i

- 1) Remove the three screws [1], and then detach the left cover (rear).

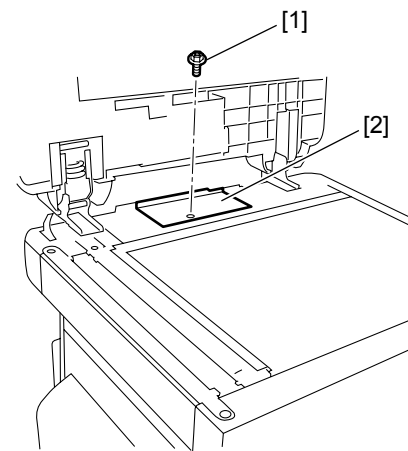


F-4-42

#### 4.4.2.5 Removing the Reader Rear Cover

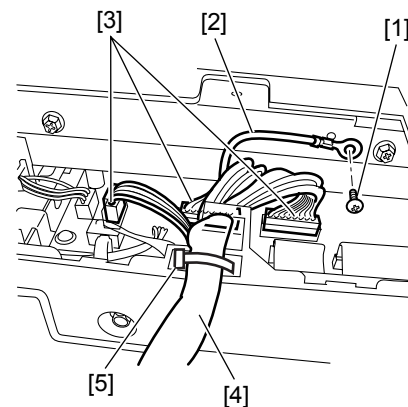
iR2016J / iR2016 / iR2020 / / iR2016i / iR2020i

- 1) Open the copyboard cover (or ADF).
- 2) Remove the screw, and then detach the small cover [2].



F-4-43

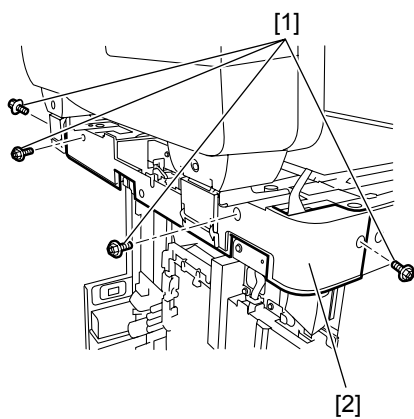
- 3) Remove the screw [1], and then disconnect the ground cable [2] of the ADF harness.
- 4) Disconnect the four connectors [3], and then remove the ADF harness [4].



F-4-44

**⚠** When installing the ADF harness [4], fit the harness band [5] in the groove in the reader rear cover.

- 5) Remove the four screws [1], and then detach the reader rear cover [2].

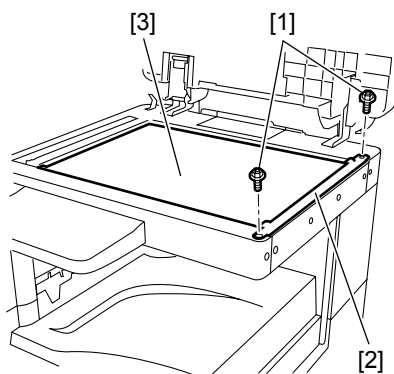


F-4-45

#### 4.4.2.6 Removing the Copyboard glass

iR2016J / iR2016 / iR2020 / iR2016i / iR2020i

- 1) Open the copyboard cover (or ADF).
- 2) Remove the two screws [1], remove the glass retainer [2], and then remove the copyboard glass [3].

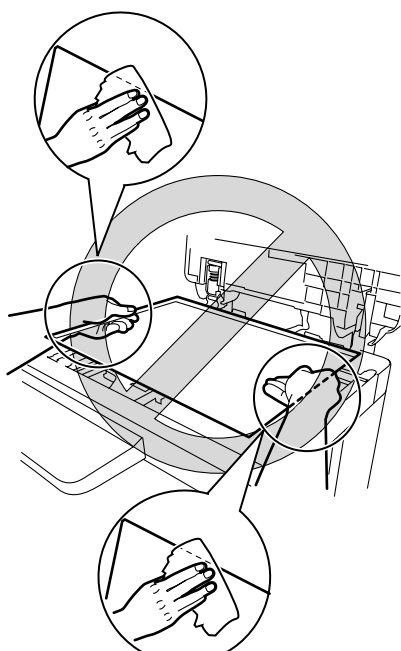


F-4-46

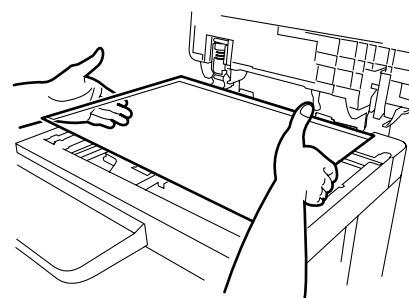
**⚠** When removing the copyboard glass, take care not to touch the following:

- Glass surface
- Standard white plate

Dirt on these parts can show up as white/black lines in the image. If dirt is found, remove it with lint-free paper moistened with alcohol.



F-4-47



F-4-48

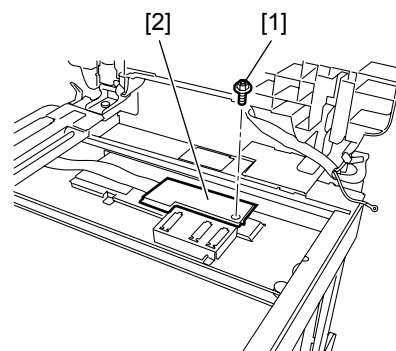
#### 4.4.2.7 Removing the Reader Controller PCB

iR2016J / iR2016 / iR2020 / iR2016i / iR2020i

##### MEMO:

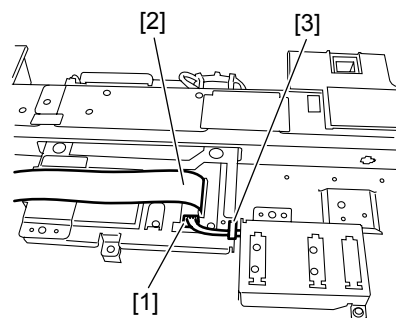
This machine stores adjustment values in the image processor PCB, not the reader controller PCB. Accordingly, you need not input adjustment values after replacing the reader controller PCB.

- 1) Remove the screw [1], and then detach the cover [2].



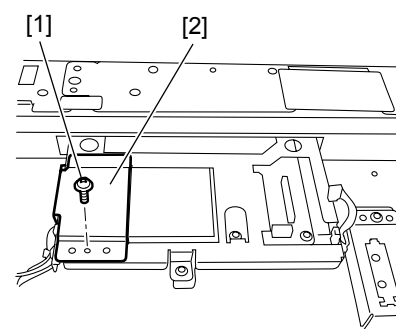
F-4-49

- 2) Disconnect the connector [1] and flexible cable [2] from the leader controller PCB, and then remove the harness from the edge saddle [3].



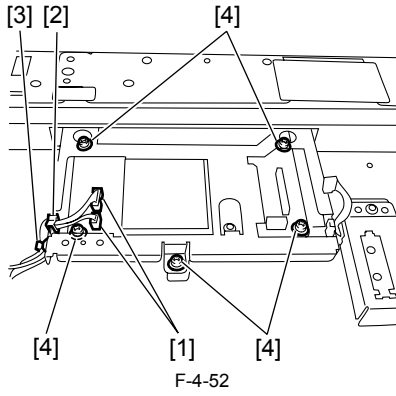
F-4-50

- 3) Remove the screw [1], and then detach the cover [2].



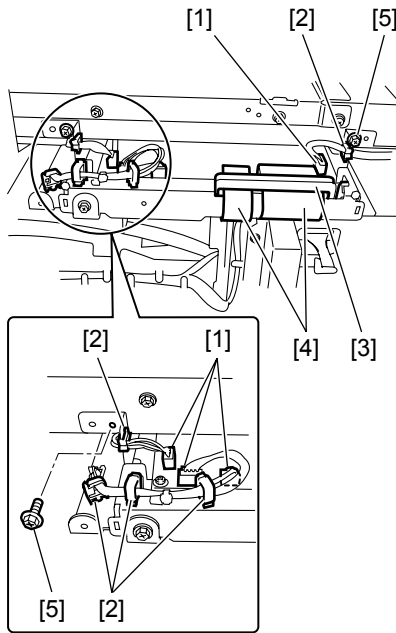
F-4-51

- 4) Disconnect the two connectors [1], and then remove the harness from the edge saddle [2] and clamp [3].
- 5) Remove the five screws [4].



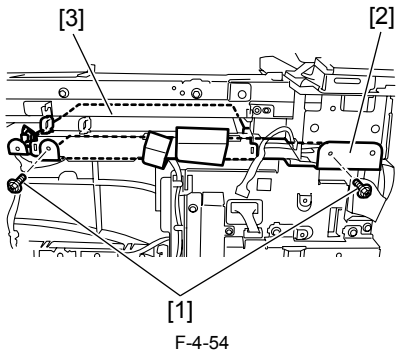
F-4-52

- 6) Go to the back of the machine, and then disconnect the four connectors [1] from the reader controller PCB.
- 7) Remove the harness from the edge saddle/clamp [2].
- 8) Remove the flexible cable holder [3], and then disconnect the two flexible cables [4].
- 9) Remove the two screws [5].



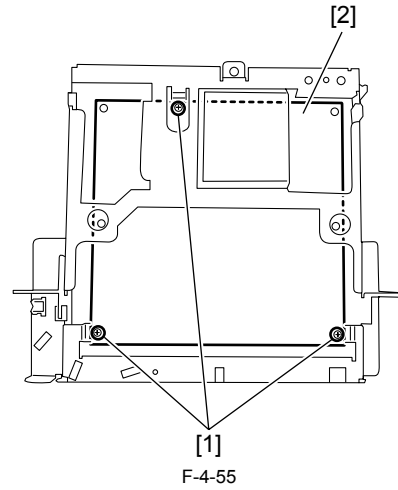
F-4-53

- 10) Remove the two screws [1], and then remove the flexible cable guide [2].
- 11) Remove the reader controller PCB [3] together with the mount.



F-4-54

- 12) Remove the three screws [1], and remove the reader controller PCB [2] from the mount.



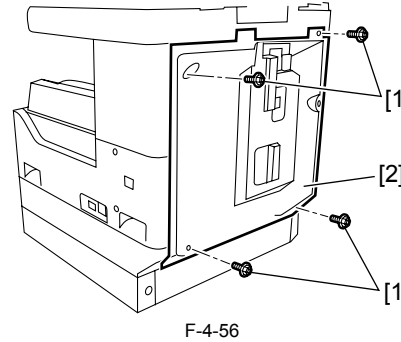
F-4-55

#### 4.4.3 Scanner Motor

##### 4.4.3.1 Removing the Rear Cover

iR2016J / iR2016 / iR2020 / / iR2016i / iR2020i

- 1) Remove the four screws [1], and then detach the rear cover [2].

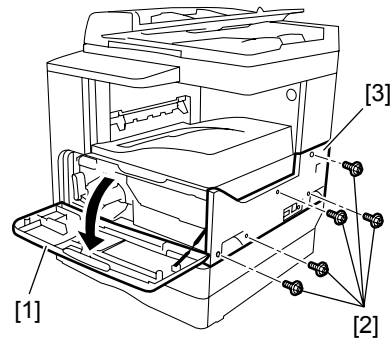


F-4-56

##### 4.4.3.2 Removing the Right Cover (Lower)

iR2016J / iR2016 / iR2020 / / iR2016i / iR2020i

- 1) Open the front cover.
- 2) Remove the five screws [1]. Remove the two hooks [2], and then detach the right cover (lower) [3].

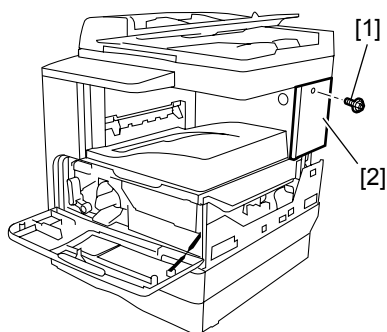


F-4-57

##### 4.4.3.3 Removing the Right Cover (Upper)

iR2016J / iR2016 / iR2020 / / iR2016i / iR2020i

- 1) Remove the screw [1], and then detach the right cover (upper).

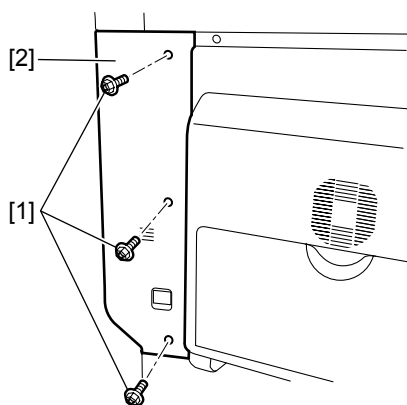


F-4-58

#### 4.4.3.4 Removing the Left Cover (Rear)

iR2016J / iR2016 / iR2020 / / iR2016i / iR2020i

- 1) Remove the three screws [1], and then detach the left cover (rear).

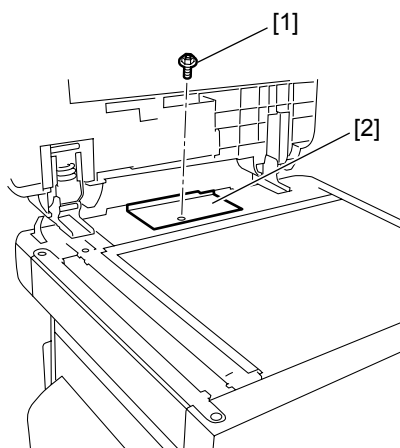


F-4-59

#### 4.4.3.5 Removing the Reader Rear Cover

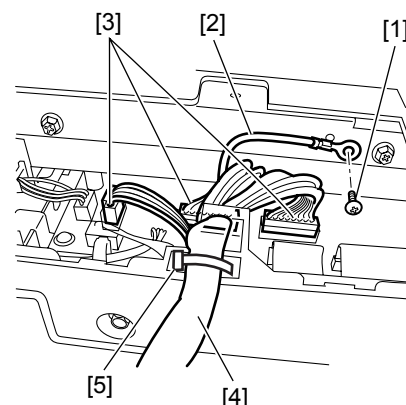
iR2016J / iR2016 / iR2020 / / iR2016i / iR2020i

- 1) Open the copyboard cover (or ADF).
- 2) Remove the screw, and then detach the small cover [2].



F-4-60

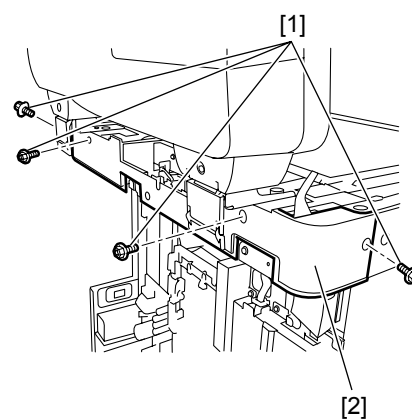
- 3) Remove the screw [1], and then disconnect the ground cable [2] of the ADF harness.
- 4) Disconnect the four connectors [3], and then remove the ADF harness [4].



F-4-61

**!** When installing the ADF harness [4], fit the harness band [5] in the groove in the reader rear cover.

- 5) Remove the four screws [1], and then detach the reader rear cover [2].

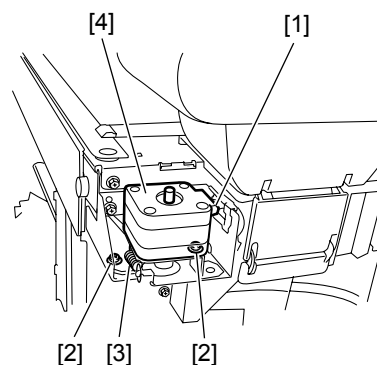


F-4-62

#### 4.4.3.6 Removing the Scanner Motor

iR2016J / iR2016 / iR2020 / / iR2016i / iR2020i

- 1) Disconnect the connector [1], and then remove the two screws [2].
- 2) Remove the spring [3], and then remove the scanner motor [4].



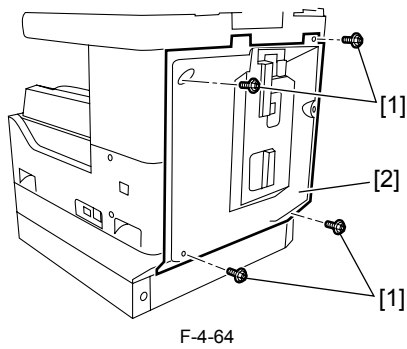
F-4-63

#### 4.4.4 Contact sensor

##### 4.4.4.1 Removing the Rear Cover

iR2016J / iR2016 / iR2020 / / iR2016i / iR2020i

- 1) Remove the four screws [1], and then detach the rear cover [2].

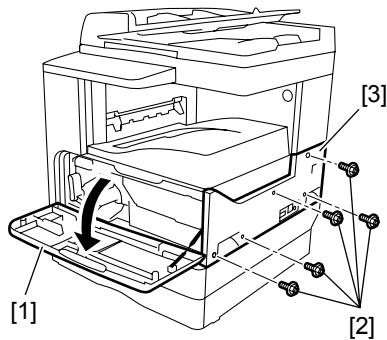


F-4-64

**4.4.4.2 Removing the Right Cover (Lower)**

iR2016J / iR2016 / iR2020 / / iR2016i / iR2020i

- 1) Open the front cover.
- 2) Remove the five screws [1], Remove the two hooks [2], and then detach the right cover (lower) [3].

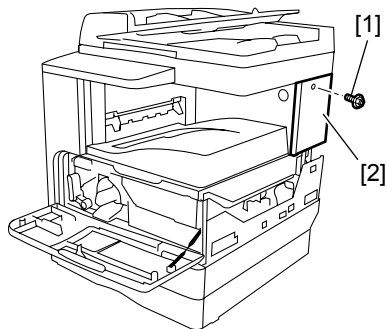


F-4-65

**4.4.4.3 Removing the Right Cover (Upper)**

iR2016J / iR2016 / iR2020 / / iR2016i / iR2020i

- 1) Remove the screw [1], and then detach the right cover (upper).

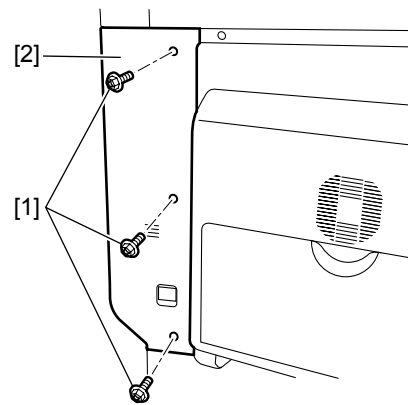


F-4-66

**4.4.4.4 Removing the Left Cover (Rear)**

iR2016J / iR2016 / iR2020 / / iR2016i / iR2020i

- 1) Remove the three screws [1], and then detach the left cover (rear).

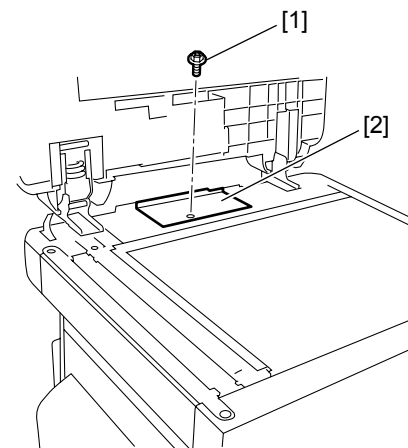


F-4-67

**4.4.4.5 Removing the Reader Rear Cover**

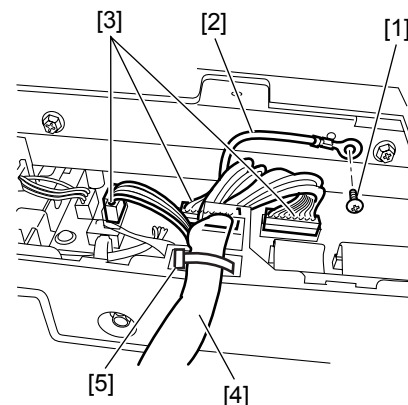
iR2016J / iR2016 / iR2020 / / iR2016i / iR2020i

- 1) Open the copyboard cover (or ADF).
- 2) Remove the screw, and then detach the small cover [2].



F-4-68

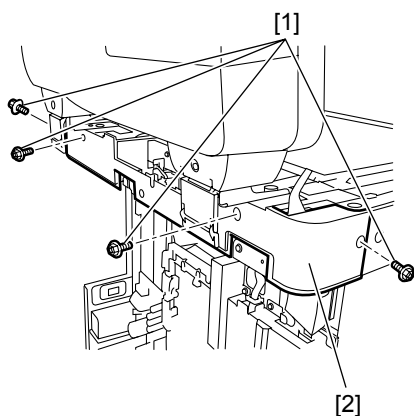
- 3) Remove the screw [1], and then disconnect the ground cable [2] of the ADF harness.
- 4) Disconnect the four connectors [3], and then remove the ADF harness [4].



F-4-69

**⚠** When installing the ADF harness [4], fit the harness band [5] in the groove in the reader rear cover.

- 5) Remove the four screws [1], and then detach the reader rear cover [2].

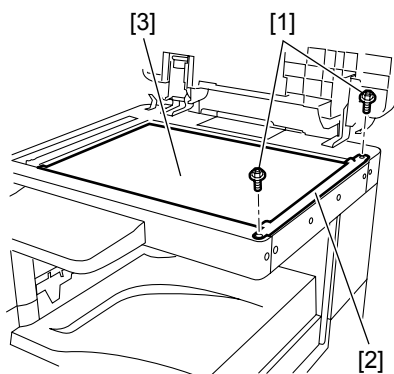


F-4-70

#### 4.4.4.6 Removing the Copyboard glass

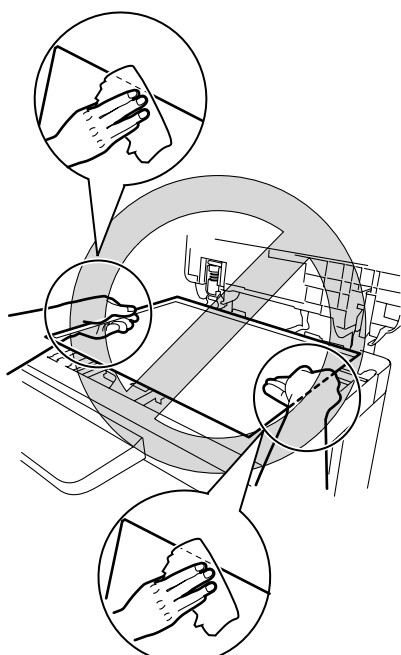
iR2016J / iR2016 / iR2020 / / iR2016i / iR2020i

- 1) Open the copyboard cover (or ADF).
- 2) Remove the two screws [1], remove the glass retainer [2], and then remove the copyboard glass [3].

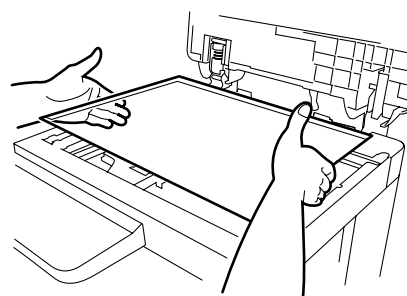


F-4-71

- ⚠** When removing the copyboard glass, take care not to touch the following:
- Glass surface
  - Standard white plate
- Dirt on these parts can show up as white/black lines in the image. If dirt is found, remove it with lint-free paper moistened with alcohol.



F-4-72

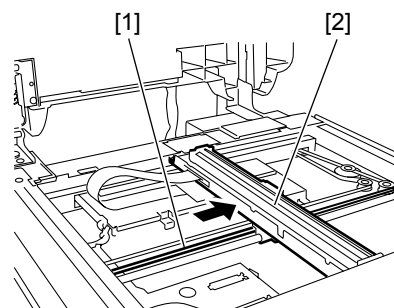


F-4-73

#### 4.4.4.7 Removing the Contact Image Sensor (CIS)

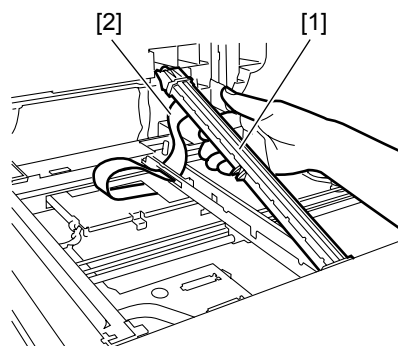
iR2016J / iR2016 / iR2020 / / iR2016i / iR2020i

- 1) Pull the drive belt (front) [1] in the direction of the arrow to move the contact sensor [2] to the position shown below.



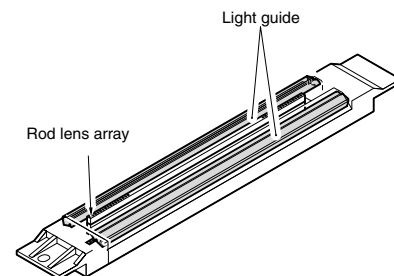
F-4-74

- 2) Remove the rear side of the contact sensor [1] from the carriage.
- 3) Disconnect the flexible cable [2], and then remove the contact sensor [1].



F-4-75

- ⚠** When removing or installing the contact sensor unit, take care not to touch the light guide and rod lens array.



F-4-76

#### 4.4.4.8 Procedure after Replacing the CIS (iR2020/iR2020J/iR2016/iR2016J)

iR2016J / iR2016 / iR2020 /

After replacing the contact image sensor (CIS), go through the following steps to perform inter-channel output correction:

- 1) Enter the service mode.

Sequentially press the User Mode key "⊗", 2 key, 8 key, and User Mode key "⊗" on the operation panel.



- 2) Using the arrow keys on the operation panel, display "TEST MODE".
- 3) Press the OK key.
- 4) Press the 2 key. "SCAN TEST" appears.
- 5) Press the 1 key.

After completion of the above steps, contact sensor output correction will be performed and parameters will be set automatically.

#### 4.4.4.9 Procedure after Replacing the CIS (iR2020i/iR2016i)

iR2016i / iR2020i

After replacing the contact image sensor (CIS), go through the following steps to perform inter-channel output correction:

- 1) Enter the service mode.
- Sequentially press the Additional functions key, 2 key, 8 key, and Additional functions key on the operation panel.
- 2) Press the arrow key on the touch panel to display "TEST MODE".
- 3) Press [OK].
- 4) Press the [2] key to display "SCAN TEST".
- 5) Press the [1] key to display "SHADING".
- 6) Press [OK].

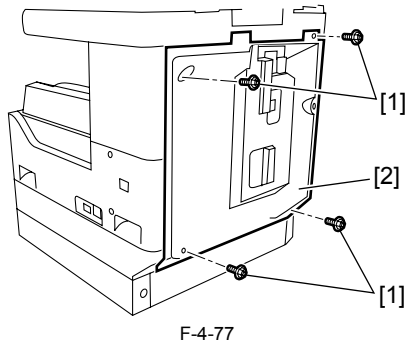
After completion of the above procedure, the contact sensor output is compensated and parameters are set automatically. After completion of automatic adjustment, "OK" is displayed.

#### 4.4.5 Copyboard Cover Open/Close Sensor

##### 4.4.5.1 Removing the Rear Cover

iR2016J / iR2016 / iR2020 / / iR2016i / iR2020i

- 1) Remove the four screws [1], and then detach the rear cover [2].

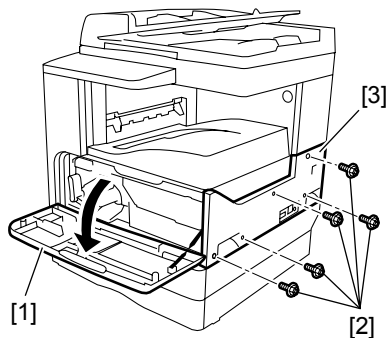


F-4-77

##### 4.4.5.2 Removing the Right Cover (Lower)

iR2016J / iR2016 / iR2020 / / iR2016i / iR2020i

- 1) Open the front cover.
- 2) Remove the five screws [1]. Remove the two hooks [2], and then detach the right cover (lower) [3].

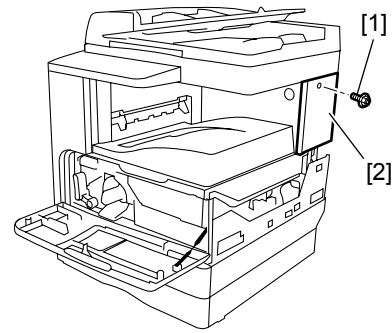


F-4-78

##### 4.4.5.3 Removing the Right Cover (Upper)

iR2016J / iR2016 / iR2020 / / iR2016i / iR2020i

- 1) Remove the screw [1], and then detach the right cover (upper).

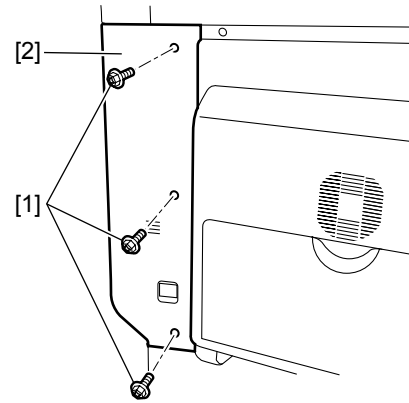


F-4-79

##### 4.4.5.4 Removing the Left Cover (Rear)

iR2016J / iR2016 / iR2020 / / iR2016i / iR2020i

- 1) Remove the three screws [1], and then detach the left cover (rear).

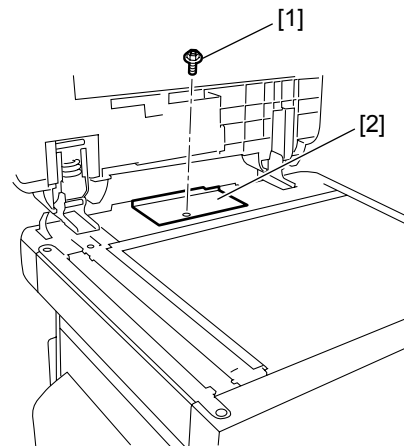


F-4-80

##### 4.4.5.5 Removing the Reader Rear Cover

iR2016J / iR2016 / iR2020 / / iR2016i / iR2020i

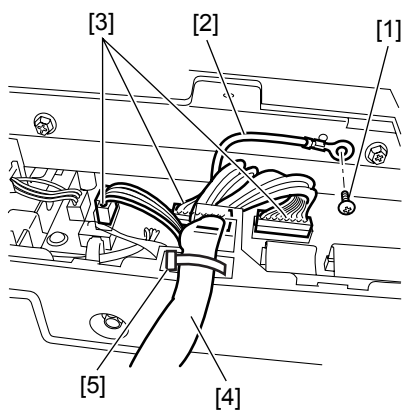
- 1) Open the copyboard cover (or ADF).
- 2) Remove the screw, and then detach the small cover [2].



F-4-81

- 3) Remove the screw [1], and then disconnect the ground cable [2] of the ADF harness.
- 4) Disconnect the four connectors [3], and then remove the ADF harness [4].

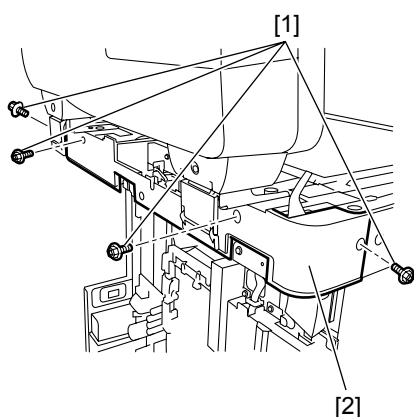




F-4-82

**⚠** When installing the ADF harness [4], fit the harness band [5] in the groove in the reader rear cover.

5) Remove the four screws [1], and then detach the reader rear cover [2].

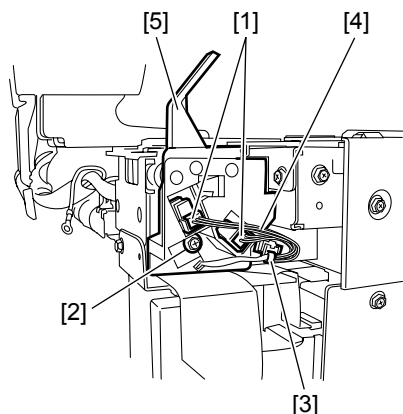


F-4-83

#### 4.4.5.6 Removing the Copyboard Cover Open/Close Sensor (Front/Rear)

iR2016J / iR2016 / iR2020 / iR2016i / iR2020i

- 1) Disconnect the two connectors [1], and then remove the screw [2].
- 2) Remove the reusable band [3], and then remove the harness [4] from the sensor mount.
- 3) Remove the sensor mount [5].
- 4) Remove the sensor from the sensor mount.



F-4-84

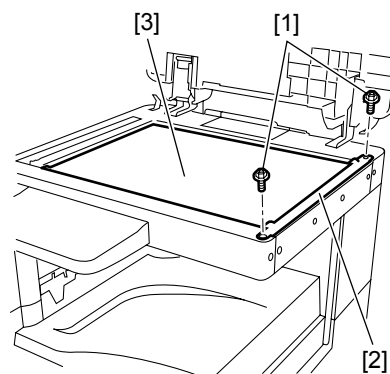
#### 4.4.6 Contact Sensor HP Sensor

##### 4.4.6.1 Removing the Copyboard glass

iR2016J / iR2016 / iR2020 / iR2016i / iR2020i

- 1) Open the copyboard cover (or ADF).
- 2) Remove the two screws [1], remove the glass retainer [2], and then

remove the copyboard glass [3].

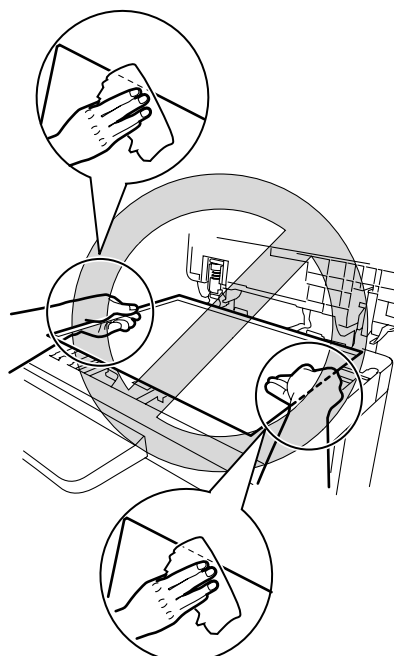


F-4-85

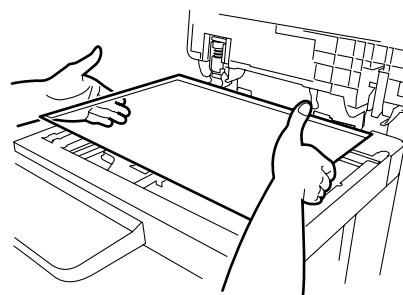
**⚠** When removing the copyboard glass, take care not to touch the following:

- Glass surface
- Standard white plate

Dirt on these parts can show up as white/black lines in the image. If dirt is found, remove it with lint-free paper moistened with alcohol.



F-4-86

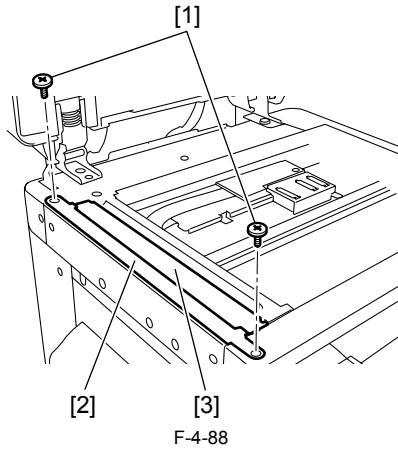


F-4-87

##### 4.4.6.2 Removing the ADF Reading Glass

iR2016J / iR2016 / iR2020 / iR2016i / iR2020i

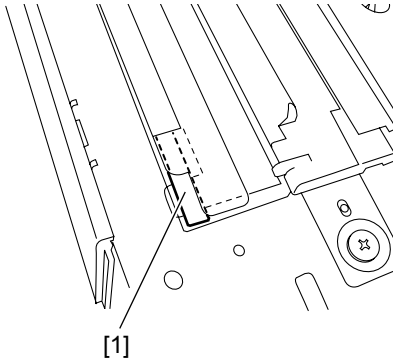
- 1) Open the copyboard cover (or ADF).
- 2) Remove the two screws [1], and then remove the glass retainer [2].
- 3) Remove the ADF reading glass [3].



F-4-88



- When removing the ADF reading glass, take care not to touch the glass surface. Dirt on these parts can show up as white/black lines in the image. If dirt is found, remove it with lint-free paper moistened with alcohol.
- When installing the ADF reading glass, position the cut portion [1] of the ADF reading glass sheet at the front-left corner.

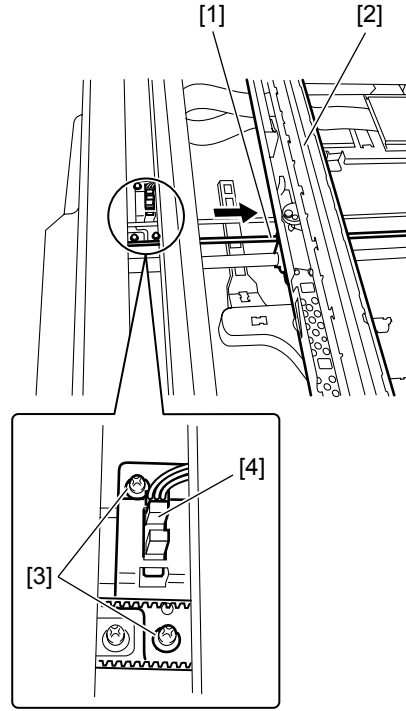


F-4-89

#### 4.4.6.3 Removing the Contact Sensor HP Sensor

iR2016J / iR2016 / iR2020 / / iR2016i / iR2020i

- 1) Pull the drive belt (front) [1] in the direction of the arrow to move the contact sensor [2] to the center.
- 2) Remove the two screws [3], and then remove the contact sensor [4] together with the mount.
- 3) Remove the contact sensor HP sensor.



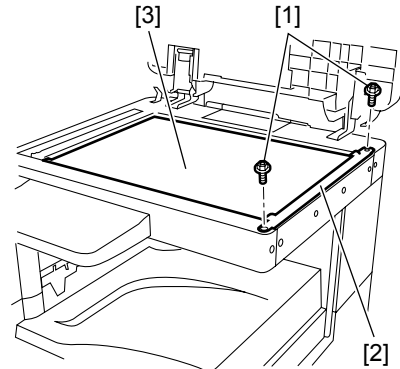
F-4-90

#### 4.4.7 Original Size Sensor

##### 4.4.7.1 Removing the Copyboard glass (iR2020/iR2020J/iR2020i)

iR2020 / / iR2020i

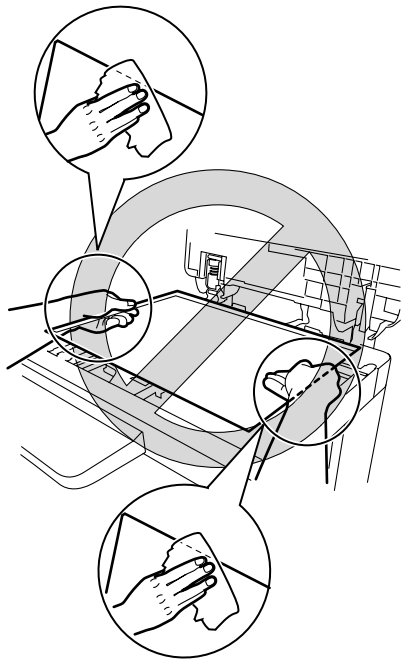
- 1) Open the copyboard cover (or ADF).
- 2) Remove the two screws [1], remove the glass retainer [2], and then remove the copyboard glass [3].



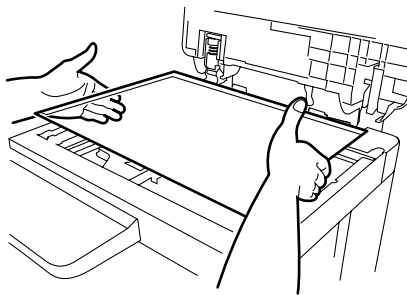
F-4-91



- When removing the copyboard glass, take care not to touch the following:
- Glass surface
  - Standard white plate
- Dirt on these parts can show up as white/black lines in the image. If dirt is found, remove it with lint-free paper moistened with alcohol.



F-4-92

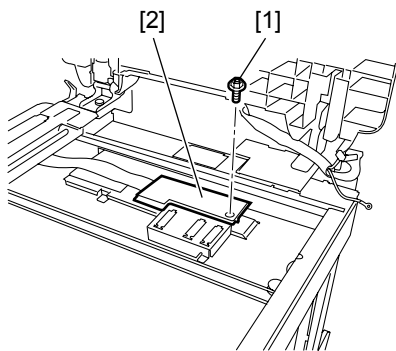


F-4-93

#### 4.4.7.2 Removing the Original Sensor (Vertical Scan Direction) (iR2020/iR2020J/iR2020i)

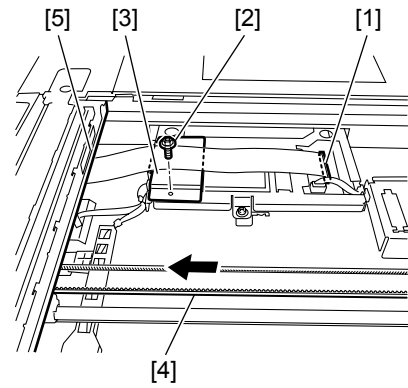
iR2020 / / iR2020i

- 1) Remove the screw [1], and then detach the cover [2].



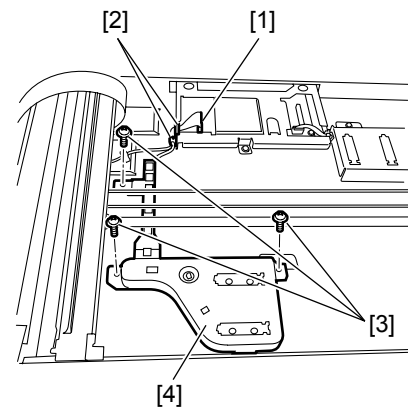
F-4-94

- 2) Disconnect the flexible cable [1], remove the screw [2], and then detach the cover [3].
- 3) Pull the drive belt (front) [4] in the direction of the arrow to move the contact sensor [5] to the left.



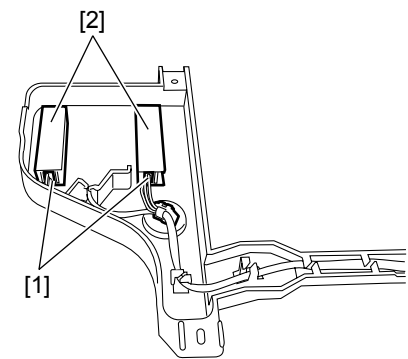
F-4-95

- 4) Disconnect the connector [1], and then remove the harness from the edge saddle/clamp [2].
- 5) Remove the three screws [3], and then remove the original sensor (vertical scan direction) [4] together with the mount.



F-4-96

- 6) Disconnect the connector [1], and then remove the original sensor (vertical scan direction) [2].

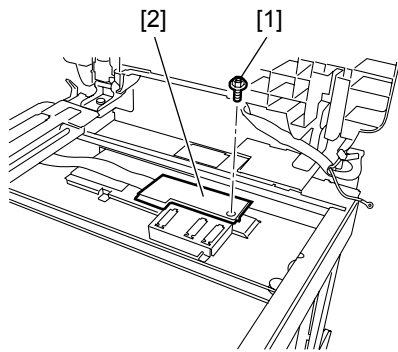


F-4-97

#### 4.4.7.3 Removing the Original Sensor (Horizontal Scan Direction) (iR2020/iR2020J/iR2020i)

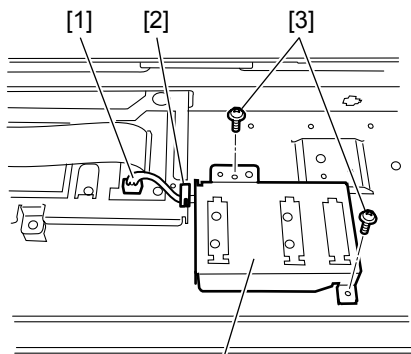
iR2020 / / iR2020i

- 1) Remove the screw [1], and then detach the cover [2].



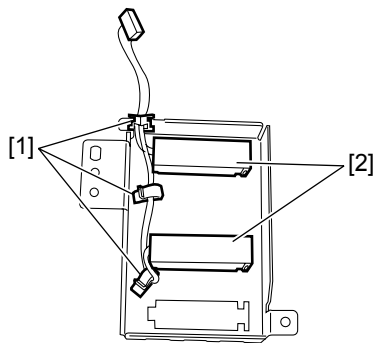
F-4-98

- 2) Disconnect the connector [1] from the reader controller PCB, and then remove the harness from the edge saddle [2].
- 3) Remove the two screws [3], and then remove the original sensor [4] together with the mount.



F-4-99

- 4) Remove the harness from the edge saddle/clamp [1], and then disconnect the connector.
- 5) Remove the original sensor [2].



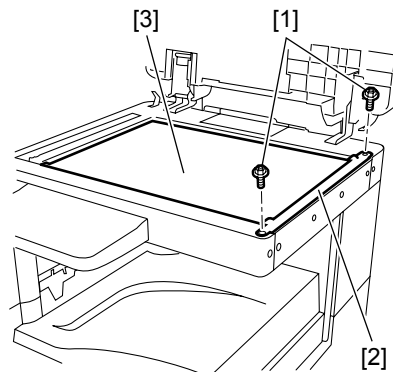
F-4-100

#### 4.4.8 Reader Heater (option)

##### 4.4.8.1 Removing the Copyboard glass

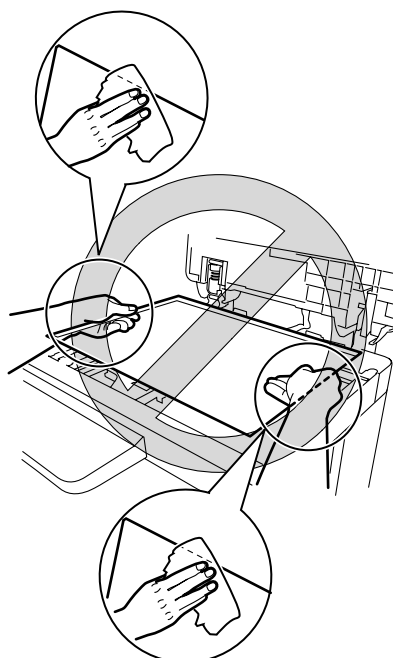
iR2016J / iR2016 / iR2020 / / iR2016i / iR2020i

- 1) Open the copyboard cover (or ADF).
- 2) Remove the two screws [1], remove the glass retainer [2], and then remove the copyboard glass [3].

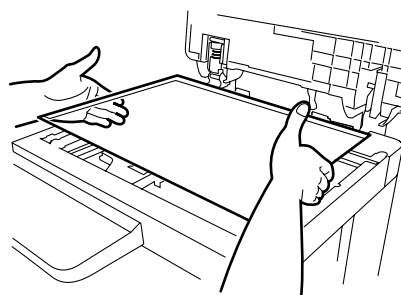


F-4-101

**!** When removing the copyboard glass, take care not to touch the following:  
 - Glass surface  
 - Standard white plate  
 Dirt on these parts can show up as white/black lines in the image. If dirt is found, remove it with lint-free paper moistened with alcohol.



F-4-102

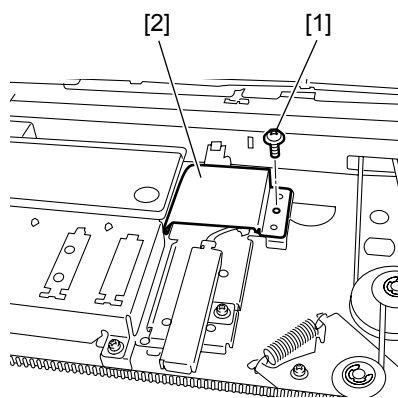


F-4-103

##### 4.4.8.2 Removing the Reader Heater (Right)

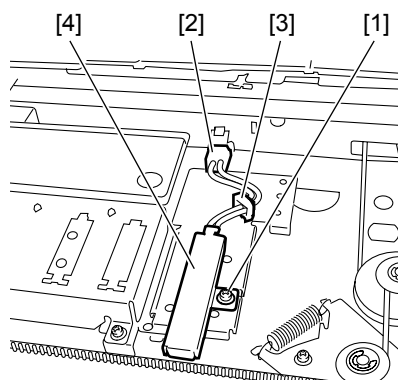
iR2016J / iR2016 / iR2020 / / iR2016i / iR2020i

- 1) Remove the screw [1], and then detach the heater cover [2].



F-4-104

- 2) Remove the screw [1].
- 3) Disconnect the connector [2], disconnect the harness from the wire saddle [3], and then remove the reader heater (right) [4].

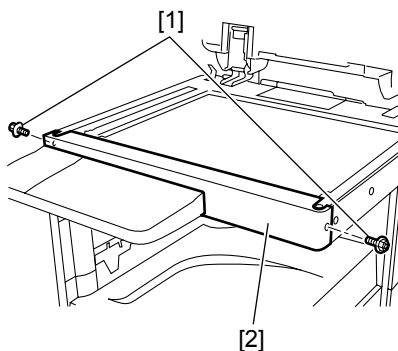


F-4-105

#### 4.4.8.3 Removing the Reader Front Cover

iR2016J / iR2016 / iR2020 / / iR2016i / iR2020i

- 1) Open the copyboard cover (or ADF).
- 2) Remove the two screws [1], and then detach the reader front cover [2].

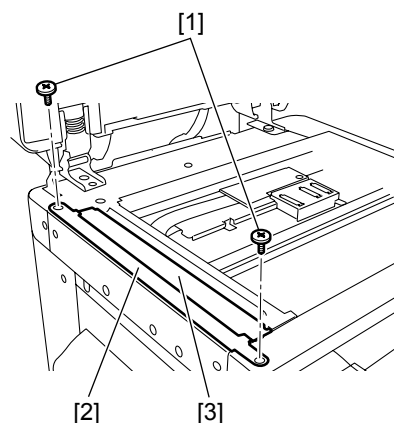


F-4-106

#### 4.4.8.4 Removing the ADF Reading Glass

iR2016J / iR2016 / iR2020 / / iR2016i / iR2020i

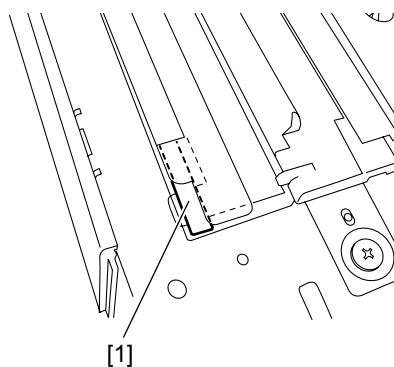
- 1) Open the copyboard cover (or ADF).
- 2) Remove the two screws [1], and then remove the glass retainer [2].
- 3) Remove the ADF reading glass [3].



F-4-107



- When removing the ADF reading glass, take care not to touch the glass surface. Dirt on these parts can show up as white/black lines in the image. If dirt is found, remove it with lint-free paper moistened with alcohol.
- When installing the ADF reading glass, position the cut portion [1] of the ADF reading glass sheet at the front-left corner.

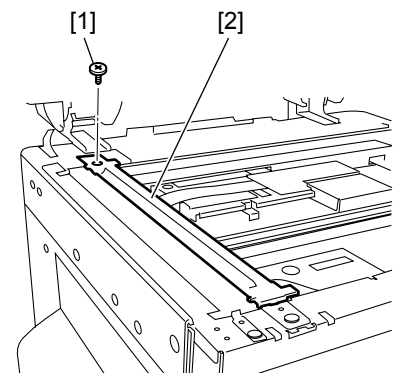


F-4-108

#### 4.4.8.5 Removing the Reader Heater (Left)

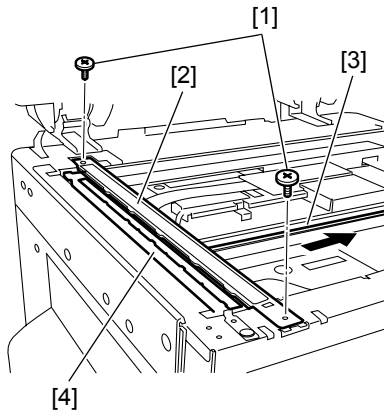
iR2016J / iR2016 / iR2020 / / iR2016i / iR2020i

- 1) Remove the screw [1], and then remove the jump board [2].



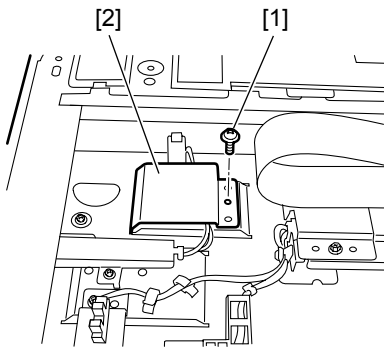
F-4-109

- 2) Remove the two screws [1], and then remove the stream reading glass stay [2].
- 3) Pull the drive belt (front) [3] in the direction of the arrow to move the contact sensor [4] to the center.



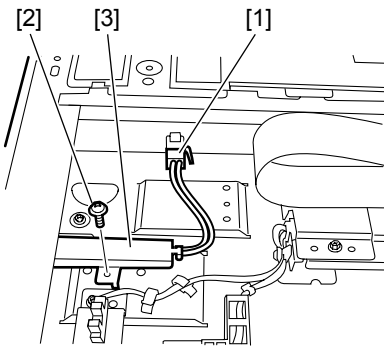
F-4-110

4) Remove the screw [1], and then detach the heater cover [2].



F-4-111

5) Disconnect the connector [1], remove the screw [2], and then remove the reader heater (left) [3].



F-4-112

---

## Chapter 5 Laser Exposure

---





---

# Contents

5.1 Construction .....	5-1
5.1.1 Overview .....	5-1
5.1.2 Specifications and Control Mechanism .....	5-1
5.1.3 Specifications and Control Mechanism .....	5-1
5.1.4 Main Components .....	5-1
5.1.5 Control System Configuration .....	5-2
5.2 Various Controls .....	5-3
5.2.1 Controlling the Laser Activation Timing .....	5-3
5.2.1.1 Laser Emission ON/OFF Control .....	5-3
5.2.1.2 Laser Emission ON/OFF Control .....	5-3
5.2.1.3 Horizontal Synchronization Control .....	5-4
5.2.1.4 Horizontal Synchronization Control .....	5-4
5.2.2 Controlling the Intensity of Laser Light .....	5-4
5.2.2.1 Automatic Photocurrent Control (APC) .....	5-4
5.2.3 Controlling the Laser Scanner Motor .....	5-4
5.2.3.1 Laser Scanner Motor Control .....	5-4
5.2.4 Controlling the Laser Shutter .....	5-5
5.2.4.1 Laser Shutter Control .....	5-5
5.3 Parts Replacement Procedure .....	5-7
5.3.1 Laser Scanner Unit .....	5-7
5.3.1.1 Removing the Rear Cover .....	5-7
5.3.1.2 Removing the Right Cover (Lower) .....	5-7
5.3.1.3 Removing the Delivery Tray .....	5-7
5.3.1.4 Removing the Laser Scanner Unit .....	5-7



## 5.1 Construction

### 5.1.1 Overview

iR2016J / iR2016 / iR2020 / / iR2016i / iR2020i

The laser scanner unit consists of a laser driver, scanner motor, and others. It is controlled by the signals from the DC controller PCB. The laser driver operates the laser diode to emit light in response to the laser control signals and video signals from the DC controller PCB. Laser beams are emitted, through a collimator lens and cylindrical lens, to the hexahedral mirror rotating at a constant speed. Laser beam reflected by the hexahedral mirror focus on the photoconductor drum via the imaging lens and loop-back mirrors installed before the hexahedral mirror. When the hexahedral mirror rotates at a constant speed, the photoconductor drum is scanned with laser beams at a constant speed. When the photoconductor drum rotates at a constant speed and the photoconductor is scanned with laser beams at a constant speed, a latent image is formed on the photoconductor drum.

### 5.1.2 Specifications and Control Mechanism

iR2016J /

		T-5-1
Laser beam		
Number of laser beams		1 beams
Scanner Motor		
Type of motor		DC brushless motor
Rotation control		Constant speed rotaion control
Polygon Mirror		
Number of facets		6 facets (40-mm dia.)
Control Mechanism		
Synchronous control		Horizontal (main scan) synchronization control
Light intensity control		Automatic photocurrent control (APC)
Others		Laser emission ON/OFF control Laser scanner motor control Laser shutter control

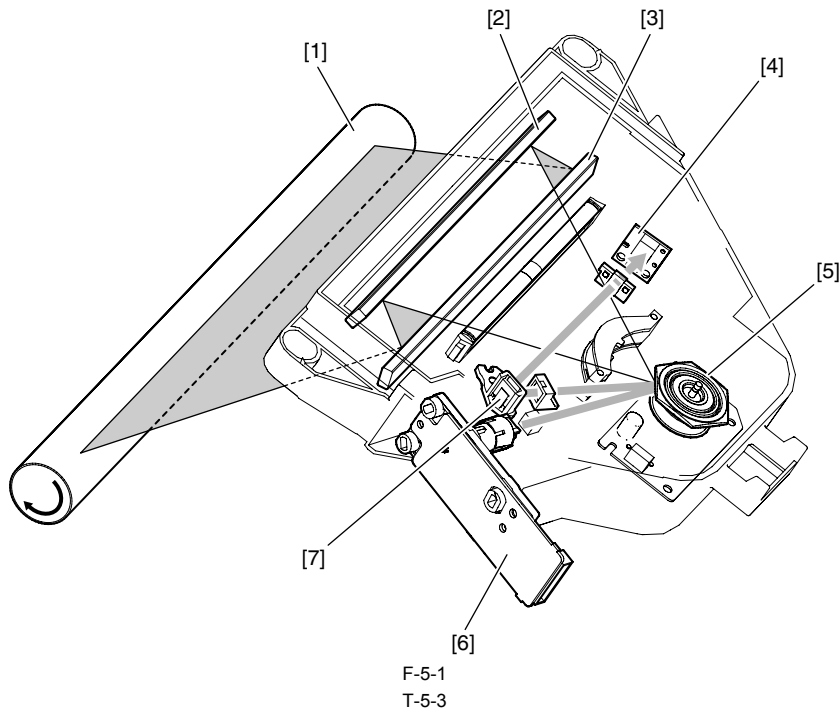
### 5.1.3 Specifications and Control Mechanism

iR2016 / iR2020 / iR2016i / iR2020i

		T-5-2
Laser beam		
Number of laser beams		2 beams
Scanner Motor		
Type of motor		DC brushless motor
Rotation control		Constant speed rotaion control
Polygon Mirror		
Number of facets		6 facets (40-mm dia.)
Control Mechanism		
Synchronous control		Horizontal (main scan) synchronization control
Light intensity control		Automatic photocurrent control (APC)
Others		Laser emission ON/OFF control Laser scanner motor control Laser shutter control

### 5.1.4 Main Components

iR2016J / iR2016 / iR2020 / / iR2016i / iR2020i



Name	Function
[1] Photoconductive drum	Receives laser beams to form a latent image.
[2] Laser mirror 1 (loop-back mirror)	Reflects a laser beam toward laser mirror 2.
[3] Laser mirror 2 (loop-back mirror)	Reflects a laser beam toward the photoconductor drum.
[4] BD PCB	Generates a BD signal.
[5] Polygonal mirror	Scans the photoconductive drum with a laser beam in the main scan direction.
[6] Laser unit	Emits laser beams.
[7] BD mirror	Reflects a laser beam toward the BD PCB.

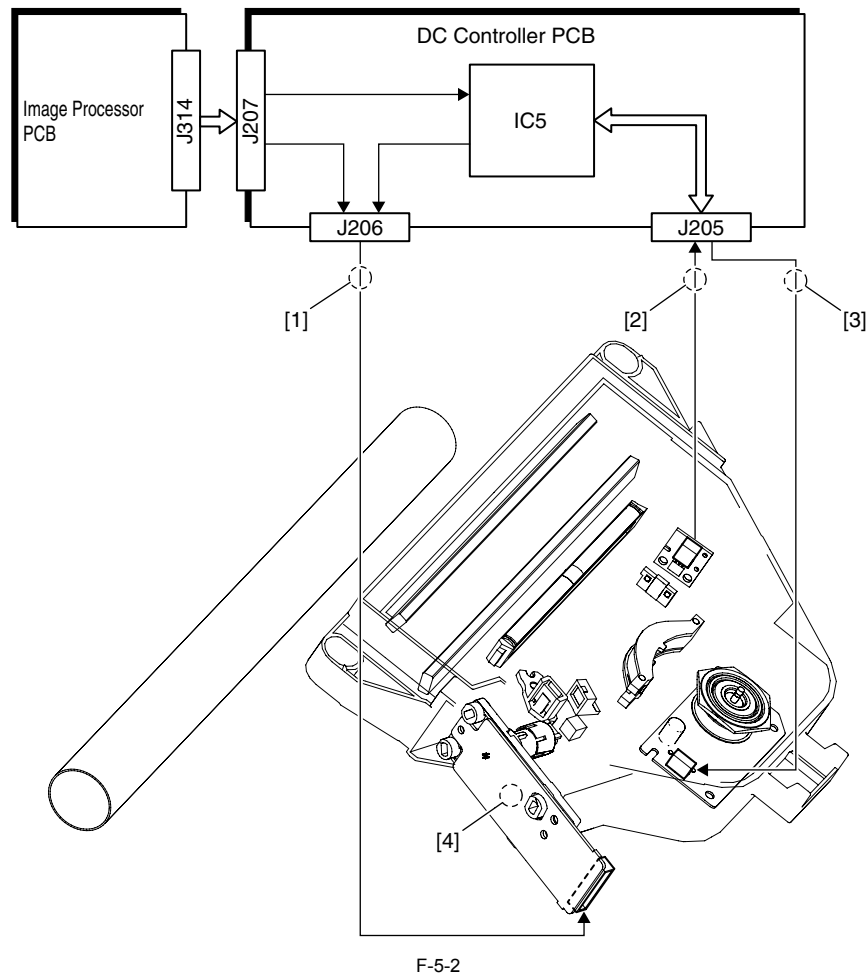
### 5.1.5 Control System Configuration

iR2016J / iR2016 / iR2020 / / iR2016i / iR2020i

The laser exposure system is controlled mainly by the IC5 on the DC controller PCB.

Main control types are as follows:

- [1] Laser emission ON/OFF control/video signal input
- [2] Horizontal synchronization control
- [3] Laser scanner motor control
- [4] Automatic photocurrent control (APC)



## 5.2 Various Controls

### 5.2.1 Controlling the Laser Activation Timing

#### 5.2.1.1 Laser Emission ON/OFF Control

iR2016 / iR2020 / iR2016i / iR2020i

The purpose of this control is to turn ON/OFF the laser diode (LD) in response to video signals.

The DC controller PCB sends laser control signals (CNTRL0, CNTRL1, and CNTRL2), which are used to switch between laser driver operation modes, to the laser driver IC along with video signals (VDO1, /VDO1, VDO2, and /VDO2). The laser driver IC controls laser emission (ON/OFF) according to the combination of CNTRL0, CNTRL1, and CNTRL2 signals.

The following table shows combinations of laser control signals (CNTRL0, CNTRL1, and CNTRL2).

T-5-4

Laser control signal			Laser status		Description
CTL2	CTL1	CTL0	Laser A	Laser B	
0	0	0	OFF	OFF	Laser control OFF
1	1	1	Video signal input enable		Laser beams can be emitted in response to video signals.
1	1	0	ON	OFF	Forced emission of laser A (for adjustment in factory)
1	0	1	OFF	ON	Forced emission of laser B (for adjustment in factory)
1	0	0	ON	ON	Forced emission of laser A and laser B (for adjustment in factory)
0	1	0	ON	OFF	APC over laser A
0	0	1	OFF	ON	APC over laser B
0	1	1	OFF	OFF	Forced stop of laser emission

#### 5.2.1.2 Laser Emission ON/OFF Control

iR2016J /

The purpose of this control is to turn ON/OFF the laser diode (LD) in response to video signals.

The DC controller PCB sends laser control signals (CNTRL0, CNTRL1, and CNTRL2), which are used to switch between laser driver operation modes, to the laser driver IC along with video signals (VDO1, /VDO1). The laser driver IC controls laser emission (ON/OFF) according to the combination of CNTRL0, CNTRL1, and CNTRL2 signals.

The following table shows combinations of laser control signals (CNTRL0, CNTRL1, and CNTRL2).

Laser control signal			Laser status	Description
CTL2	CTL1	CTL0	Laser A	
0	0	0	OFF	Laser control OFF
0	0	1	ON	Laser beams can be emitted in response to video signals.
0	1	0	ON	APC over laser
0	1	1	OFF	Forced stop of laser emission

### 5.2.1.3 Horizontal Synchronization Control

iR2016 / iR2020 / iR2016i / iR2020i

The purpose of this control is to adjust the position where scanning starts in the horizontal direction (main scan direction) of the image with reference to the horizontal synchronization signal (/BD) sent from the BD sensor in the laser scanner. The horizontal synchronization signal is also used as a vertical synchronization signal to recognize the leading edge of paper. Upon detection of arrival of the fed paper at the prescribed position, the DC controller PCB starts sending the /BD signal to the image processor PCB. The image processor PCB recognizes the leading edge of paper at the start of the continuous /BD signal; it recognizes the trailing edge of paper at the end of the continuous /BD signal.

#### Memo:

About Generation of BD Signal

The BD sensor on the BD circuit board receives only the beam of laser B; it does not receive the beam of laser A. The BD signal is generated from the beam of laser A.

### 5.2.1.4 Horizontal Synchronization Control

iR2016J /

The purpose of this control is to adjust the position where scanning starts in the horizontal direction (main scan direction) of the image with reference to the horizontal synchronization signal (/BD) sent from the BD sensor in the laser scanner. The horizontal synchronization signal is also used as a vertical synchronization signal to recognize the leading edge of paper. Upon detection of arrival of the fed paper at the prescribed position, the DC controller PCB starts sending the /BD signal to the image processor PCB. The image processor PCB recognizes the leading edge of paper at the start of the continuous /BD signal; it recognizes the trailing edge of paper at the end of the continuous /BD signal.

## 5.2.2 Controlling the Intensity of Laser Light

### 5.2.2.1 Automatic Photocurrent Control (APC)

iR2016J / iR2016 / iR2020 / / iR2016i / iR2020i

The purpose of this control is to monitor the laser beam emitted to the photodiode on the laser driver circuit board in order to adjust the light quantity.

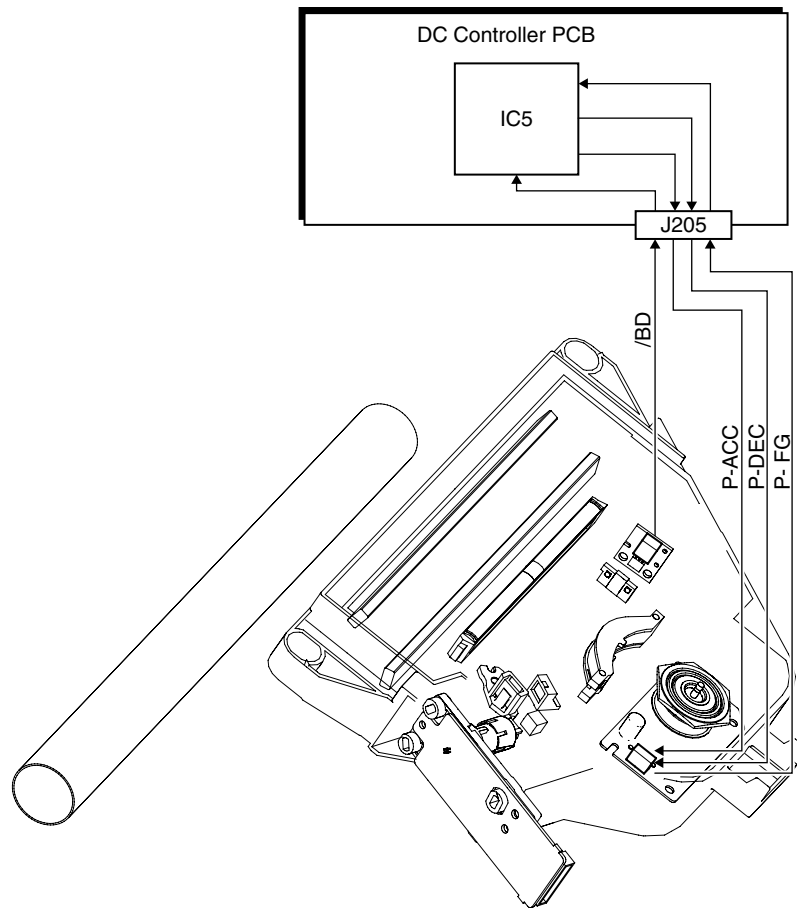
### 5.2.3 Controlling the Laser Scanner Motor

#### 5.2.3.1 Laser Scanner Motor Control

iR2016J / iR2016 / iR2020 / / iR2016i / iR2020i

From the moment the laser scanner motor starts to the moment it reaches the target revolution speed, the revolution speed is controlled with reference to the laser scanner motor revolution speed signal (FG signal). After the target revolution speed is reached, the revolution speed is controlled so that the BD cycle and the laser scanner motor revolution cycle are in the same phase.

The revolution speed of the laser scanner motor is controlled using an acceleration signal (ACC signal) and deceleration signal (DEC signal).



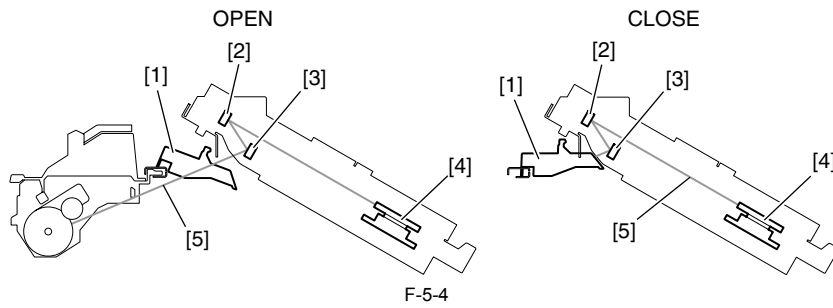
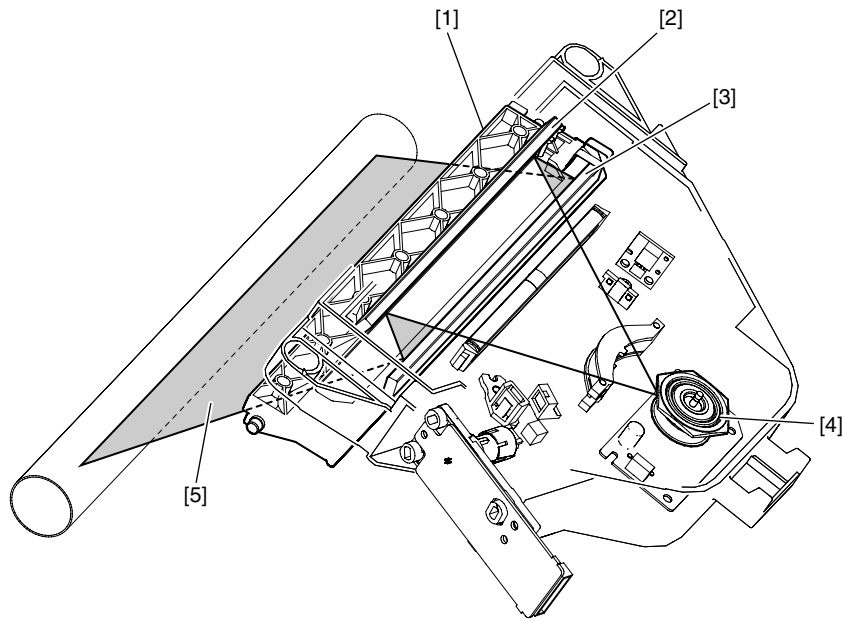
F-5-3

## 5.2.4 Controlling the Laser Shutter

### 5.2.4.1 Laser Shutter Control

iR2016J / iR2016 / iR2020 / iR2016i / iR2020i

When the drum unit is drawn out, the interlocked laser shutter moves down, shutting off the laser beam path. When opening of the front cover or left door is detected, the laser scanner motor and laser outputs turn off.



F-5-4

- Laser shutter control  
[1] Laser shutter  
[2] Laser mirror 1  
[3] Laser mirror 2  
[4] Polygonal mirror  
[5] Laser beam



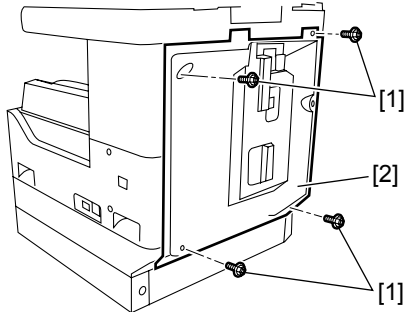
## 5.3 Parts Replacement Procedure

### 5.3.1 Laser Scanner Unit

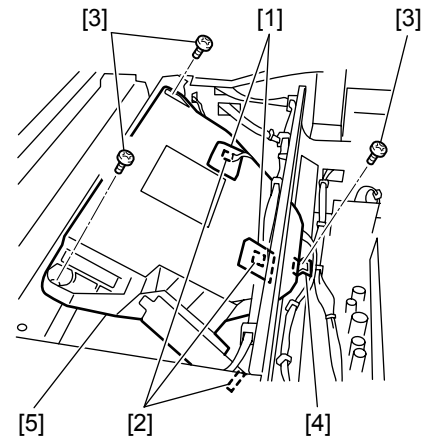
#### 5.3.1.1 Removing the Rear Cover

iR2016J / iR2016 / iR2020 / iR2016i / iR2020i

- 1) Remove the four screws [1], and then detach the rear cover [2].



F-5-5

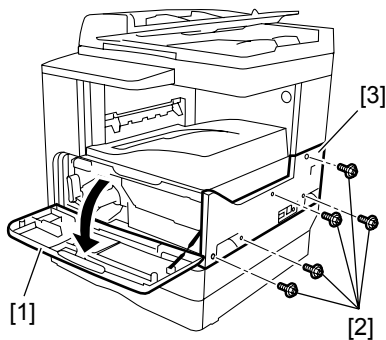


F-5-8

#### 5.3.1.2 Removing the Right Cover (Lower)

iR2016J / iR2016 / iR2020 / iR2016i / iR2020i

- 1) Open the front cover.
- 2) Remove the five screws [1]. Remove the two hooks [2], and then detach the right cover (lower) [3].

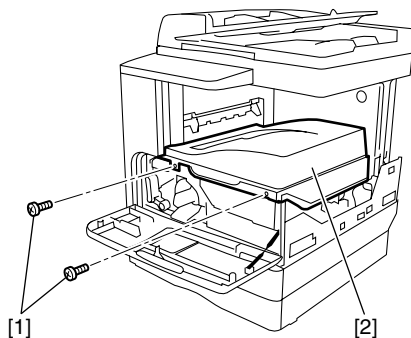


F-5-6

#### 5.3.1.3 Removing the Delivery Tray

iR2016J / iR2016 / iR2020 / iR2016i / iR2020i

- 1) Remove the two screws [1], and then detach the delivery tray [2].



F-5-7

#### 5.3.1.4 Removing the Laser Scanner Unit

iR2016J / iR2016 / iR2020 / iR2016i / iR2020i

- 1) Remove the two pieces of sponge [1].
- 2) Disconnect the three connectors [2].
- 3) Remove the three screws [3], and then remove the metal plate [4] and laser scanner unit [5].



---

## Chapter 6 Image Formation

---



---

# Contents

6.1 Construction .....	6-1
6.1.1 Specifications of Image Formation System .....	6-1
6.1.2 Major Components of Image Formation System .....	6-1
6.2 Image Formation Process .....	6-1
6.2.1 Image Formation Process .....	6-1
6.3 Basic Sequence .....	6-2
6.3.1 Basic Sequence of Operation .....	6-2
6.4 Driving and Controlling the High-Voltage System .....	6-3
6.4.1 Outline .....	6-3
6.5 Drum Unit .....	6-4
6.5.1 Outline of the Drum Unit .....	6-4
6.5.1.1 Outline .....	6-4
6.5.2 Charging Mechanism .....	6-4
6.5.2.1 Primary Charging Bias Control .....	6-4
6.6 Developing Unit .....	6-5
6.6.1 Outline .....	6-5
6.6.2 Developing Bias Control .....	6-5
6.7 Toner Container .....	6-6
6.7.1 Outline .....	6-6
6.8 Transfer Unit .....	6-6
6.8.1 Outline of the Transfer Unit .....	6-6
6.8.1.1 Outline .....	6-6
6.8.2 Controlling the Transfer Bias .....	6-7
6.8.2.1 Transfer Roller Bias Control .....	6-7
6.8.3 Separation Mechanism .....	6-7
6.8.3.1 Static Eliminator Bias Control .....	6-7
6.9 Photosensitive Drum Cleaning .....	6-8
6.9.1 Outline .....	6-8
6.9.2 Waste Toner Full Detection .....	6-8
6.10 Parts Replacement Procedure .....	6-9
6.10.1 Drum Unit .....	6-9
6.10.1.1 Removing the Drum Unit .....	6-9
6.10.2 Developing Assembly .....	6-9
6.10.2.1 Removing the Drum Unit .....	6-9
6.10.2.2 Removing the Rear Cover .....	6-9
6.10.2.3 Removing the Right Cover (Lower) .....	6-9
6.10.2.4 Removing the Delivery Tray .....	6-9
6.10.2.5 Removing the Developing Assembly .....	6-9
6.10.2.6 Precautions about Installation of Developing Assembly .....	6-10
6.10.2.7 Procedure after Replacing the Developing Assembly .....	6-10
6.10.3 Transfer Charging Roller .....	6-10
6.10.3.1 Removing the Transfer Charging Roller .....	6-10



## 6.1 Construction

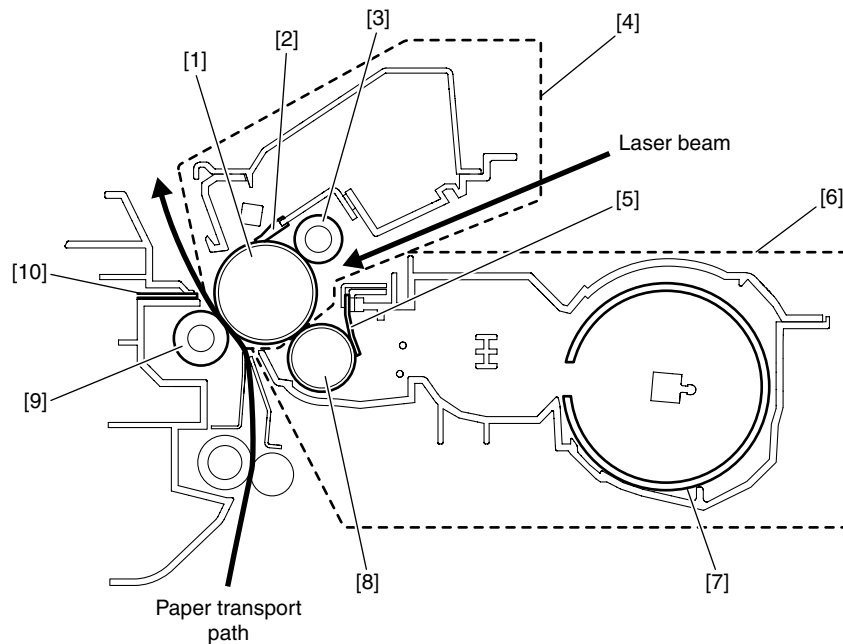
### 6.1.1 Specifications of Image Formation System

iR2016J / iR2016 / iR2020 / / iR2016i / iR2020i

	T-6-1
Photosensitive drum	
Drum type	OPC drum
Drum diameter	3mm
Cleaning mechanism	Cleaning blade
Processing speed	106.7mm/sec
Primary charging	
Charging method	Roller charging (AC + DC)
ng roller diameter	14mm
Transfer charging	
Charging method	Roller charging (DC)
Charging roller diameter	16mm
Developing assembly	
Developing cylinder diameter	20mm
Developing method	Dry, 1-component jumping (AC + DC)
Toner	1-component, negative toner
Remaining toner level detection	Remaining toner level sensor (in developing assembly)
Others	
Separation method	Static Eliminator + Curvature separation
Waste toner	Collected in the drum cartridge.

### 6.1.2 Major Components of Image Formation System

iR2016J / iR2016 / iR2020 / / iR2016i / iR2020i



F-6-1

- [1] Photosensitive drum
- [2] Cleaner blade
- [3] Primary charging roller
- [4] Drum unit
- [5] Blade
- [6] Developing assembly
- [7] Toner bottle
- [8] Developing cylinder
- [9] Transfer charging roller
- [10] Static eliminator

## 6.2 Image Formation Process

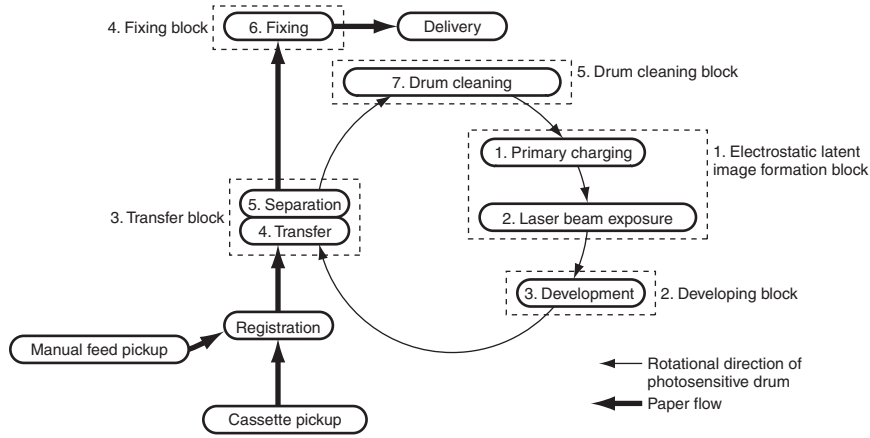
### 6.2.1 Image Formation Process

iR2016J / iR2016 / iR2020 / / iR2016i / iR2020i

The image formation system of this machine consist of a primary charging roller, a drum unit integrated with a drum cleaner, a toner bottle, a developing assembly, a transfer charging roller, and so on.

The image formation process of this machine is composed of the following five blocks (7 steps):

- [1] Electrostatic latent image formation block
  - Step 1: Primary charging (AC & Minus DC)
  - Step 2: Laser exposure
- [2] Developing block
  - Step 3: Developing (AC & Minus DC bias)
- [3] Transfer block
  - Step 4: Transfer (Plus DC)
  - Step 5: Separation (Minus DC)
- [4] Fixing block
  - Step 6: Fixing (Minus DC bias)
- [5] Drum cleaning block
  - Step 7: Drum cleaning



F-6-2

### 6.3 Basic Sequence

#### 6.3.1 Basic Sequence of Operation

iR2016J / iR2016 / iR2020 / / iR2016i / iR2020i

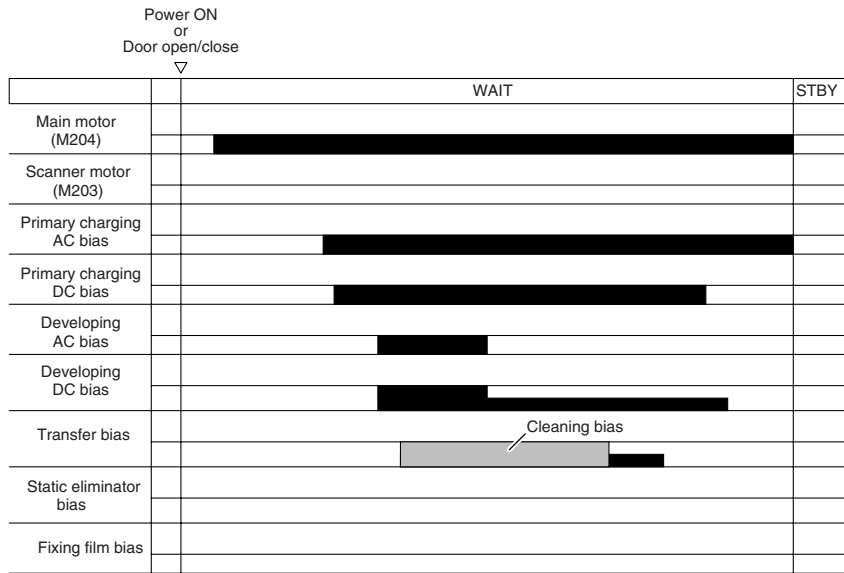
The basic sequence of operation of this machine is explained below.

For more details, refer to the explanation of various types of bias control.

- At power-on (when the door is opened/closed)

The main motor starts rotating after completion of the error check.

To prevent fogging of the drum, the developing DC bias voltage is held higher than usual during application of the developing AC bias voltage.



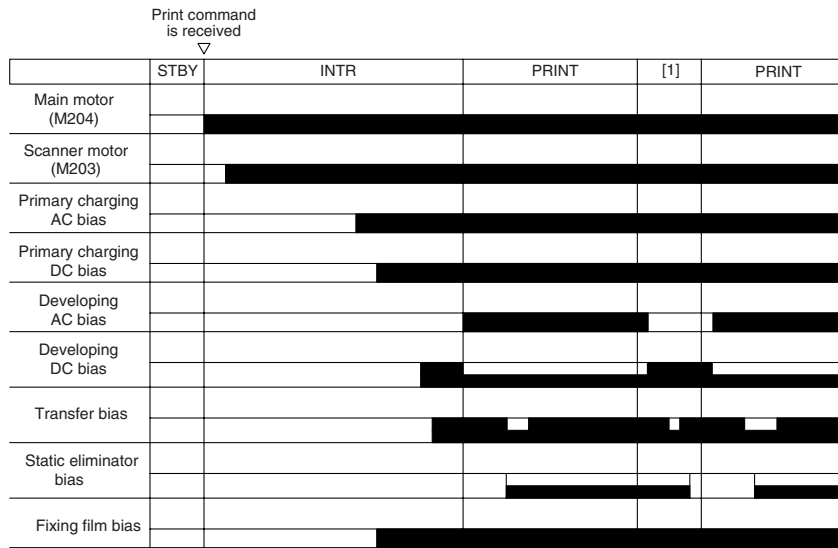
F-6-3

- During printing

To prevent fogging of the drum, the developing DC bias is held higher than usual except during image formation.

To prevent the toner remaining on the photosensitive drum from sticking to the transfer charging roller, the transfer roller bias which is lower than that applied during printing is applied at the prescribed timing.





F-6-4

[1] Between sheets

- At the end of printing

To prevent fogging of the drum, the developing DC bias is held higher than usual except during image formation.

To prevent the toner remaining on the photosensitive drum from sticking to the transfer charging roller, the transfer roller bias which is lower than that applied during printing the is applied at the prescribed timing.



F-6-5

[1] Time until post-rotation

## 6.4 Driving and Controlling the High-Voltage System

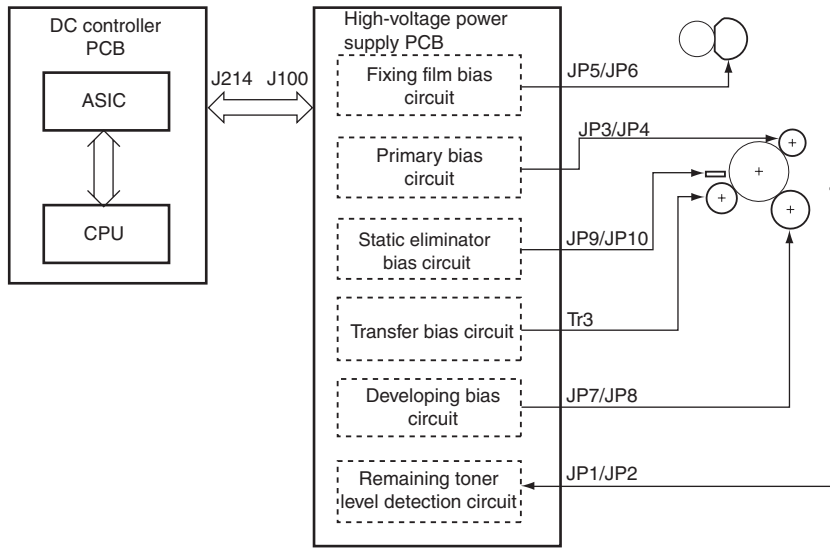
### 6.4.1 Outline

iR2016J / iR2016 / iR2020 / / iR2016i / iR2020i

The voltage generated by superimposing the DC voltage over the AC voltage is applied to the primary charging roller and developing cylinder, and a positive or negative DC voltage is applied to the transfer charging roller according to the instruction of the CPU on the DC controller PCB.

The primary DC bias and developing DC bias are changed according to the image density information sent from the image processor PCB, thus adjusting the image density.

A negative DC voltage is applied to the electrostatic discharge needle and fixing film.



F-6-6

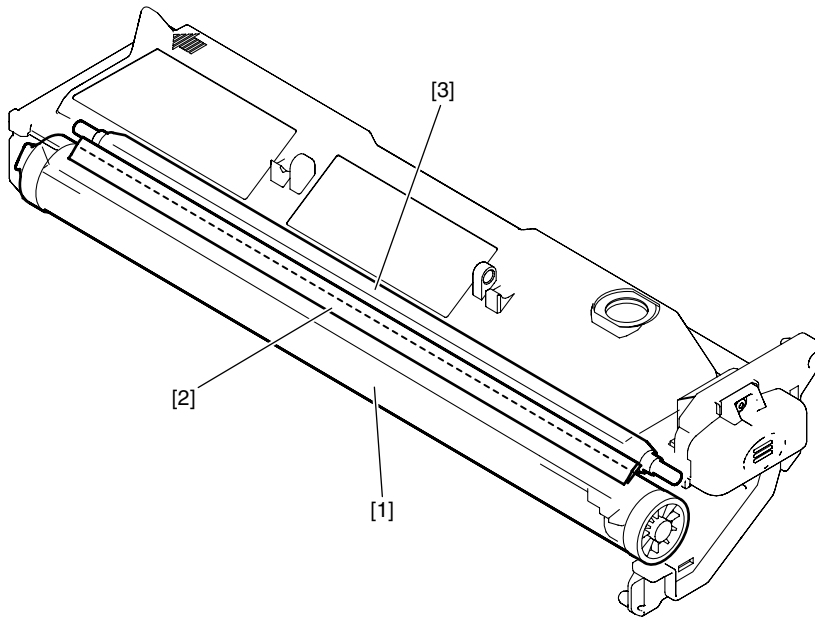
## 6.5 Drum Unit

### 6.5.1 Outline of the Drum Unit

#### 6.5.1.1 Outline

iR2016J / iR2016 / iR2020 / / iR2016i / iR2020i

Major components of the drum unit are as follows:



F-6-7

- [1] Photosensitive drum
- [2] Cleaning blade
- [3] Primary charging roller

### 6.5.2 Charging Mechanism

#### 6.5.2.1 Primary Charging Bias Control

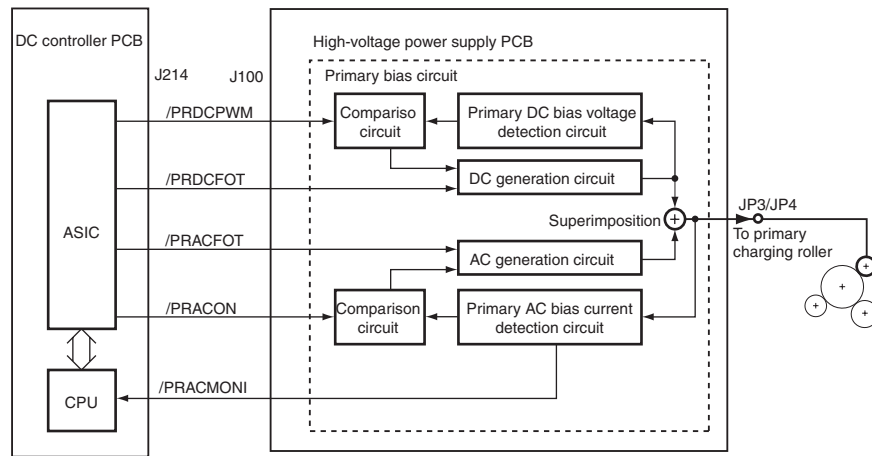
iR2016J / iR2016 / iR2020 / / iR2016i / iR2020i

With the primary charging bias method, the drum is charged directly by the charging roller. In addition to a DC bias, an AC bias is applied to the primary charging roller to stabilize charging. When the drum is charged, both AC and DC biases are applied. When the drum is discharged, only the AC bias is applied.

The ASIC on the DC controller PCB outputs the primary bias drive signal (/PRACFOT), primary AC bias ON/OFF signal (/PRACON), primary DC bias drive signal (/PRDCFOT), and primary DC bias output level signal (/PRDCPWM) to apply the voltage generated by superimposing the primary AC bias over the primary DC bias to the primary charging roller.

The primary AC bias is detected by the primary AC bias current detection circuit, and is fed back to the AC generator circuit via the comparison circuit.

The primary DC bias is detected by the primary DC bias current detection circuit, and is fed back to the DC generator circuit via the comparison circuit. Thus, this machine controls the primary DC bias voltage. The primary DC bias voltage changes with the developing DC bias voltage according to the image density information sent from the image processor PCB.



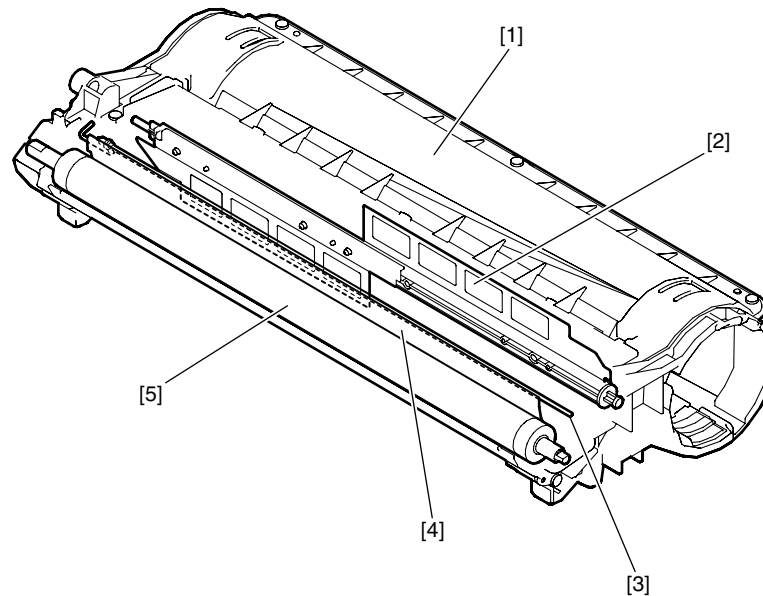
F-6-8

## 6.6 Developing Unit

### 6.6.1 Outline

iR2016J / iR2016 / iR2020 / / iR2016i / iR2020i

Major components of the developing assembly are as follows:



F-6-9

- [1] Developing Assembly
- [2] Stirring plate
- [3] Antenna rod
- [4] Developing blade
- [5] Developing cylinder

### 6.6.2 Developing Bias Control

iR2016J / iR2016 / iR2020 / / iR2016i / iR2020i

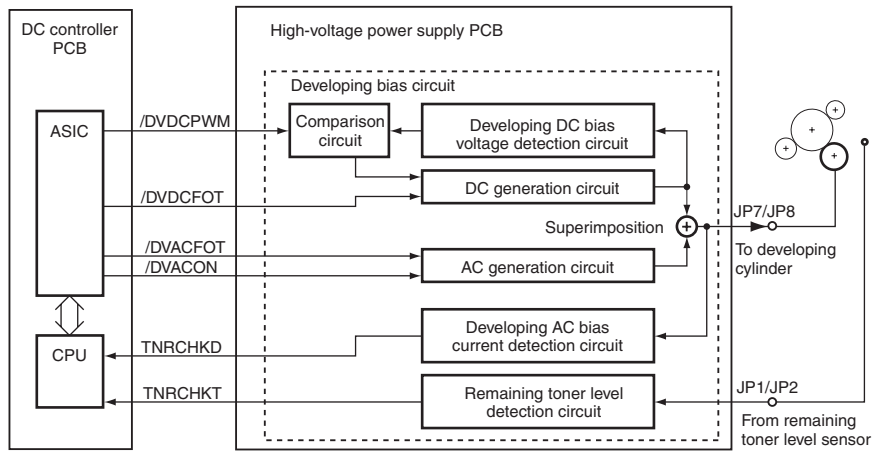
A DC bias and an AC bias are applied to the developing cylinder.

The ASIC on the DC controller PCB outputs the developing AC bias drive signal (/DVACFOT), developing AC bias ON/OFF signal (/DVACON), developing DC bias drive signal (/DVDCFOT), and developing DC bias output level signal (/DVDCPWM) to apply the voltage generated by superimposing the developing AC bias over the developing DC bias to the developing cylinder.

To prevent fogging of the drum, a DC bias higher than usual is applied except during image formation and when the developing AC bias is applied for warm-up rotation.

The developing DC bias is detected by the developing DC bias detection circuit, and is fed back to the DC generation circuit via the comparison circuit, thus controlling the DC bias voltage. The developing DC bias voltage changes with the primary DC bias voltage according to the image density information sent from the image processor PCB.

The remaining toner level is detected during warm-up rotation and when the developing AC bias is applied for printing. The remaining toner level detection signal (TNRCHKT) sampled from the antenna (for remaining toner level check) in the developing assembly is compared with the reference signal (TNRCHKD) received from the developing bias detection circuit.



F-6-10

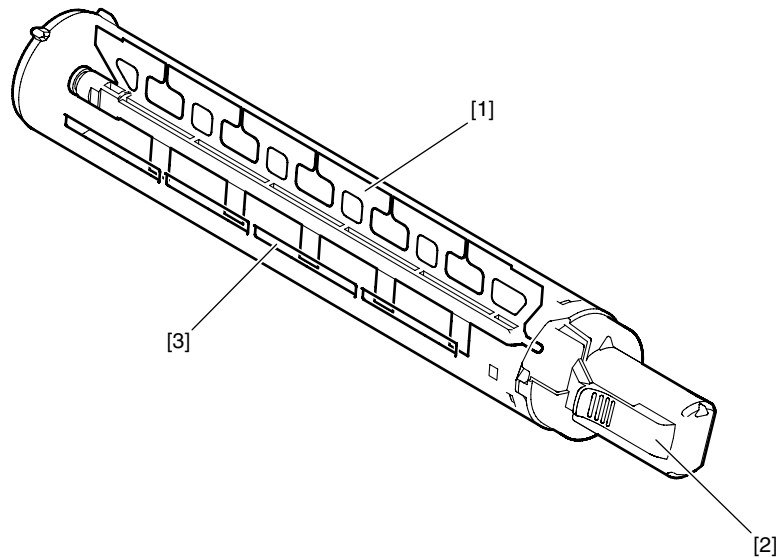
## 6.7 Toner Container

### 6.7.1 Outline

iR2016J / iR2016 / iR2020 / iR2016i / iR2020i

The structure of the toner bottle is shown below.

The toner bottle is charged with 1-component, insulating, magnetic toner. The stirring rod in the toner bottle is rotated by the mina motor to supply toner into the developing assembly through the toner supply port.



F-6-11

- [1] Stirring rod
- [2] Toner bottle lever
- [3] Toner supply port

## 6.8 Transfer Unit

### 6.8.1 Outline of the Transfer Unit

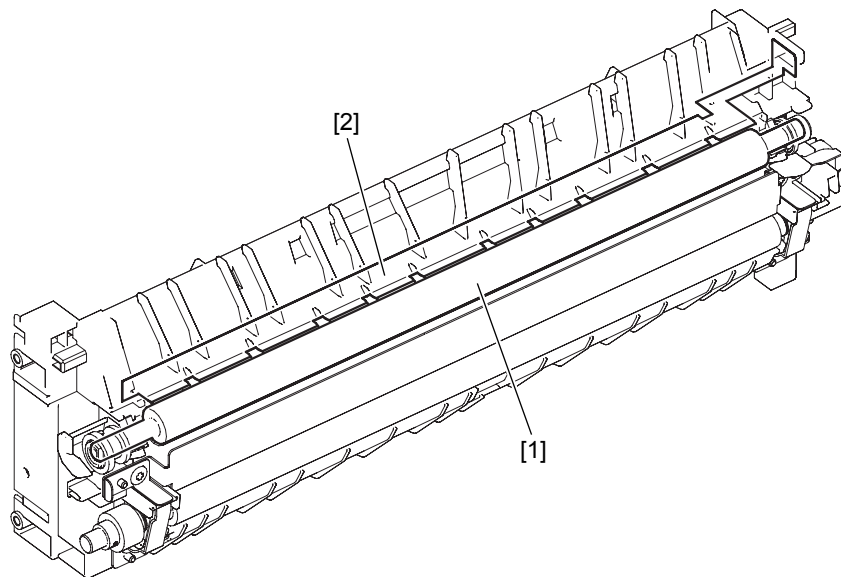
#### 6.8.1.1 Outline

iR2016J / iR2016 / iR2020 / iR2016i / iR2020i

The transfer unit consists of a transfer roller [1] and an static eliminator [2].

The transfer roller is driven by the photosensitive drum.

The static eliminator is biased to separate paper from the drum.



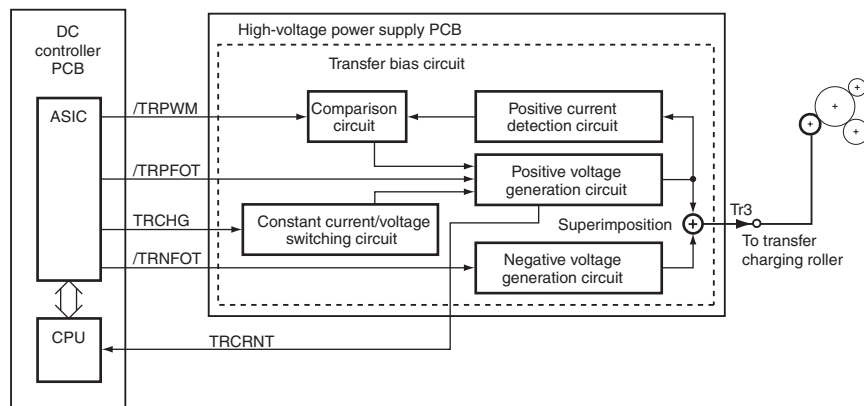
F-6-12

## 6.8.2 Controlling the Transfer Bias

### 6.8.2.1 Transfer Roller Bias Control

iR2016J / iR2016 / iR2020 / / iR2016i / iR2020i

A negative bias, sheet-to-sheet bias, or positive bias is applied to the transfer charging roller according to the type of sequence. The negative bias is applied at the prescribed timing to move the toner from the transfer charging roller to the photosensitive drum for cleaning. The sheet-to-sheet bias is lower than that applied during printing and it is applied at the prescribed timing to prevent the toner remaining on the photosensitive drum from adhering to the transfer charging roller. The positive bias is applied to transfer toner images from the photosensitive drum to paper.



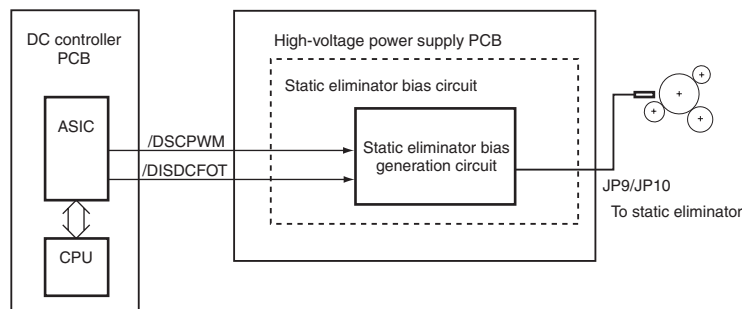
F-6-13

## 6.8.3 Separation Mechanism

### 6.8.3.1 Static Eliminator Bias Control

iR2016J / iR2016 / iR2020 / / iR2016i / iR2020i

Two types of biases, a high-output bias and a low-output bias, are applied to the static eliminator using the static eliminator bias drive signal (/DISDCFOT) and static eliminator bias output level signal (/DSCPWM) issued from the DC controller PCB according to the type of the print sequence, thus allowing the printing paper to separate easily from the photosensitive drum.



F-6-14

## 6.9 Photosensitive Drum Cleaning

### 6.9.1 Outline

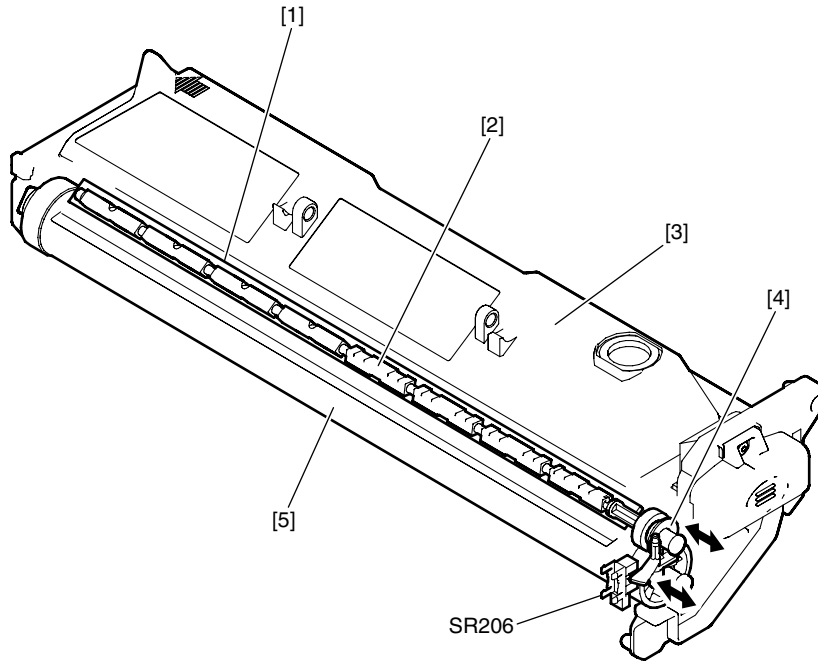
iR2016J / iR2016 / iR2020 / / iR2016i / iR2020i

Toner remaining on the photosensitive drum after image transfer is scraped by the photosensitive drum cleaner blade and is fed in the waste toner box.

### 6.9.2 Waste Toner Full Detection

iR2016J / iR2016 / iR2020 / / iR2016i / iR2020i

The waste toner collected by the cleaner blade is fed to the waste toner box using the waste toner feed screw in the drum unit. A torque limiter is provided at the end of the waste toner feed screw. When the waste toner box is filled with waste toner, the torque limiter goes on to stop the waste toner feed screw. As a result, the sensor flag of the waste toner full sensor (SR206) is pushed intermittently, reporting the waste toner full condition to the DC controller PCB.



F-6-15

- [1] Cleaner blade
- [2] Waste toner stirring rod
- [3] Waste toner box
- [4] Torque limiter
- [5] Drum

#### MEMO:

The waste toner box is capable of storing about 630 g of toner.

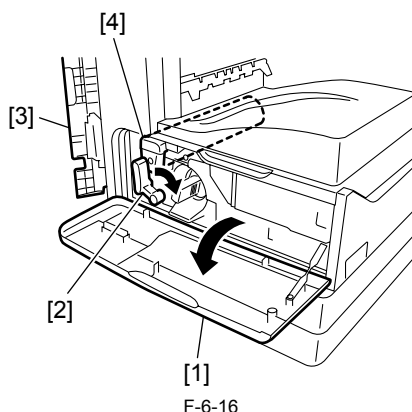
## 6.10 Parts Replacement Procedure

### 6.10.1 Drum Unit

#### 6.10.1.1 Removing the Drum Unit

iR2016J / iR2016 / iR2020 / / iR2016i / iR2020i

- 1) Open the front cover [1].
- 2) Turn the developing assembly locking lever [2] clockwise to open the left door [3].
- 3) Draw out the drum unit [4].



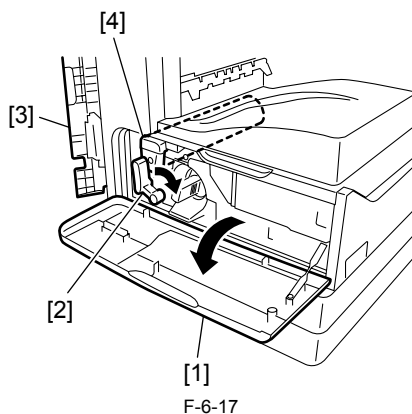
- When attaching or detaching the drum unit, open the left door fully to prevent the damage to the drum unit.
- To prevent exposure of the drum, cover the drum unit with a few sheets of paper and place it in a safe place.

### 6.10.2 Developing Assembly

#### 6.10.2.1 Removing the Drum Unit

iR2016J / iR2016 / iR2020 / / iR2016i / iR2020i

- 1) Open the front cover [1].
- 2) Turn the developing assembly locking lever [2] clockwise to open the left door [3].
- 3) Draw out the drum unit [4].

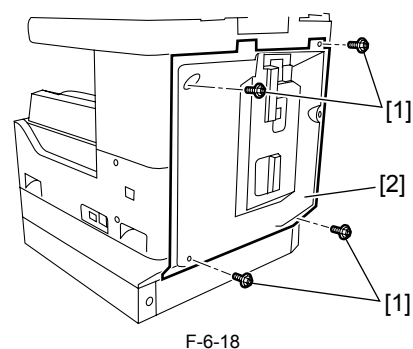


- When attaching or detaching the drum unit, open the left door fully to prevent the damage to the drum unit.
- To prevent exposure of the drum, cover the drum unit with a few sheets of paper and place it in a safe place.

#### 6.10.2.2 Removing the Rear Cover

iR2016J / iR2016 / iR2020 / / iR2016i / iR2020i

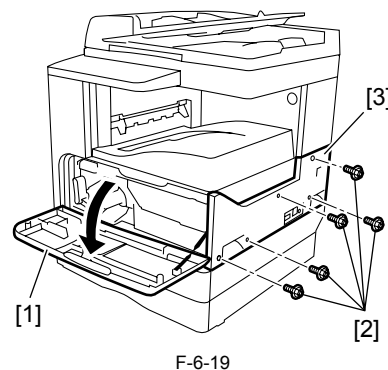
- 1) Remove the four screws [1], and then detach the rear cover [2].



#### 6.10.2.3 Removing the Right Cover (Lower)

iR2016J / iR2016 / iR2020 / / iR2016i / iR2020i

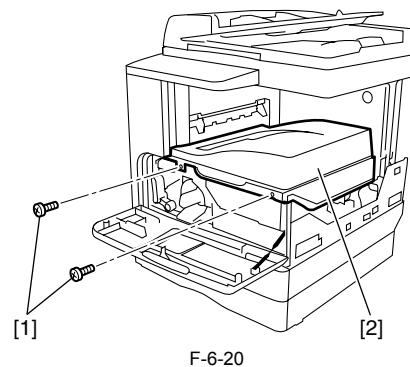
- 1) Open the front cover.
- 2) Remove the five screws [1]. Remove the two hooks [2], and then detach the right cover (lower) [3].



#### 6.10.2.4 Removing the Delivery Tray


iR2016J / iR2016 / iR2020 / / iR2016i / iR2020i

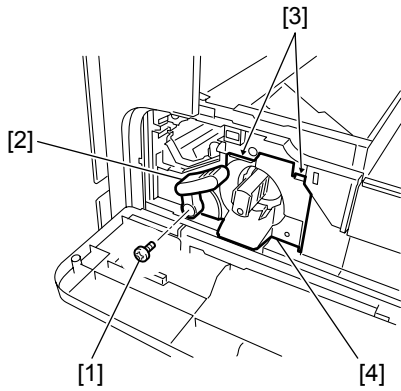
- 1) Remove the two screws [1], and then detach the delivery tray [2].



#### 6.10.2.5 Removing the Developing Assembly

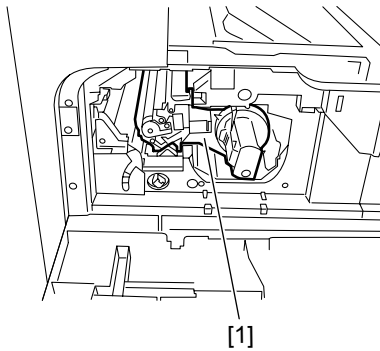
iR2016J / iR2016 / iR2020 / / iR2016i / iR2020i

- 1) Remove the screw [1], and remove the developing assembly locking lever [2].
- 2) Release the two hooks [3] (marked with ) , and then remove the toner bottle cover [4].



F-6-21

3) Draw out the developing assembly [1].



F-6-22

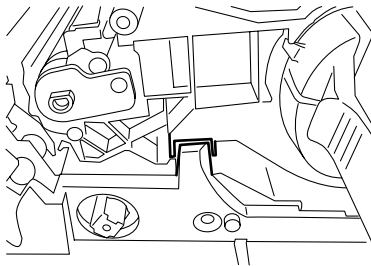
### 6.10.2.6 Precautions about Installation of Developing Assembly

iR2016J / iR2016 / iR2020 / / iR2016i / iR2020i

**⚠** When installing the developing assembly, follow the precaution given below.

#### Front side

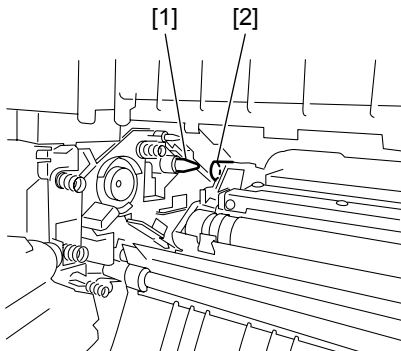
Fit the convex portion of the main body in the concave portion on the bottom of the developing assembly.



F-6-23

#### Rear side

Fit the pin [1] seen in the back of the main body in the support hole [2] provided at the back of the developing assembly.



F-6-24

### 6.10.2.7 Procedure after Replacing the Developing Assembly

iR2016J / iR2016 / iR2020 / / iR2016i / iR2020i

#### <Going through the Developer Idling Mode>

**⚠** After replacing the developing assembly, go through the following steps in the developing assembly idle rotation mode before installing the toner cartridge.

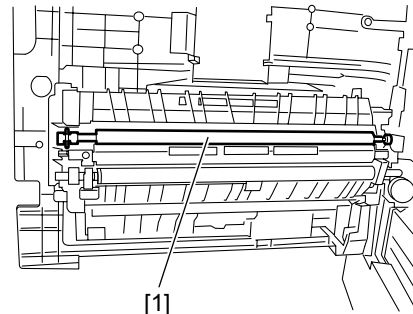
- 1) Plug the power cord into the outlet.
- 2) Open the front cover.
- 3) With the front cover open, turn on the main power switch.
- 4) When a message appears on the operation panel display, press the following keys to enter the service mode:  
Additional Functions key > 2 key > 8 key > Additional Functions key
- 5) Select "#PRINT" using the + or - key, and then press the OK key.
- 6) Select "#PRINT SW" using the + or - key, and then press the OK key.  
Confirm that the following message is displayed:  
Message: #PRINT SW 001 00000000
- 7) Press the following keys and confirm the message:  
# key > 1 key > 1 key  
Message: #PRINT SW 011 00000000
- 8) Position the cursor to Bit-1 (second from right) using the + or - key, and press the 1 key, and then confirm the following message:  
Message: #PRINT SW 011 00000010
- 9) Press the OK key. Confirm that "SW 011" changes to "SW 012".  
Message: #PRINT SW 012 00000000
- 10) Press the Reset key to exit the service mode.
- 11) Close the front cover. The machine will run in the developer idling mode for about 1 minute.
- 12) When the machine stops, the idling mode ends.  
Install the toner cartridge following the above-mentioned procedure.

### 6.10.3 Transfer Charging Roller

#### 6.10.3.1 Removing the Transfer Charging Roller

iR2016J / iR2016 / iR2020 / / iR2016i / iR2020i

- 1) Open the left door.
- 2) Remove the transfer charging roller [1]



F-6-25

**⚠** Do not touch the transfer charging roller surface.



---

## Chapter 7 Pickup/Feeding System

---



# Contents

7.1 Construction .....	7-1
7.1.1 Specifications/Configuration/Operation Methods .....	7-1
7.1.2 Locations of Main Units .....	7-1
7.1.3 Roller Layout Drawing .....	7-2
7.1.4 Paper Path Drawing(Printer on its own) .....	7-2
7.1.5 Paper Path Drawing(Finisher-U1) .....	7-3
7.1.6 Paper Path Drawing(Duplex Unit-A1/Finisher-U1) .....	7-3
7.1.7 Paper Path Drawing(Duplex-A1) .....	7-3
7.1.8 Paper Path Drawing(Duplex-A1/Inner 2Way Tray-E1) .....	7-4
7.1.9 Paper Path Drawing(Inner 2Way Tray-E1) .....	7-4
7.1.10 Sensor Layout Drawing .....	7-5
7.2 Detecting Jams .....	7-6
7.2.1 Delay Jams .....	7-6
7.2.1.1 Delay Jam in Pickup Assembly .....	7-6
7.2.1.2 Delay Jam in Delivery Assembly (Paper Leading Edge Jam at First Delivery Sensor/Wound Paper Jam at Fixing Assembly) .....	7-6
7.2.2 Stationary Jams .....	7-6
7.2.2.1 Stationary Jam in Pickup Assembly .....	7-6
7.2.2.2 Stationary Jam in Delivery Assembly (Paper Trailing Edge Stationary Jam at First Delivery Sensor/Stationary Jam at First Delivery Sensor) .....	7-6
7.2.3 Other Jams .....	7-6
7.2.3.1 Door Open Jam .....	7-6
7.3 Cassette Pick-Up Unit .....	7-6
7.3.1 Overview .....	7-6
7.3.2 Cassette Pickup Operation .....	7-7
7.3.3 Cassette Paper Size Detection .....	7-8
7.4 Manual Feed Pickup Unit .....	7-9
7.4.1 Overview .....	7-9
7.4.2 Post-pickup Control after Multi Manual Feed Pickup .....	7-9
7.5 Parts Replacement Procedure .....	7-10
7.5.1 Pickup Roller .....	7-10
7.5.1.1 Removing the Cassette Paper Pickup Roller .....	7-10
7.5.2 Cassette Pickup Assembly .....	7-10
7.5.2.1 Removing the Lower-left Cover .....	7-10
7.5.2.2 Removing the Cassette Pickup Assembly .....	7-10
7.5.3 Cassette Size Sensor .....	7-10
7.5.3.1 Removing the Paper Size Detection Switches .....	7-10
7.5.4 Cassette Retry Paper Sensor .....	7-10
7.5.4.1 Removing the Lower-left Cover .....	7-10
7.5.4.2 Removing the Cassette Pickup Assembly .....	7-11
7.5.4.3 Removing the Retry Sensor .....	7-11
7.5.5 Cassette Paper Sensor .....	7-11
7.5.5.1 Removing the Lower-left Cover .....	7-11
7.5.5.2 Removing the Cassette Pickup Assembly .....	7-11
7.5.5.3 Removing the Cassette Paper Presence/Absence Sensor .....	7-12
7.5.6 Cassette Pickup Solenoid .....	7-12
7.5.6.1 Removing the Lower-left Cover .....	7-12
7.5.6.2 Removing the Cassette Pickup Assembly .....	7-12
7.5.6.3 Removing the Cassette Pickup Solenoid .....	7-12
7.5.7 Manual Pickup Roller .....	7-12
7.5.7.1 Removing the Drum Unit .....	7-12
7.5.7.2 Removing the Transfer Registration Unit .....	7-13
7.5.7.3 Removing the Feed Guide .....	7-13

7.5.7.4 Removing the Multifeeder Pickup Roller .....	7-13
7.5.8 Manual Feed Tray paper sensor .....	7-13
7.5.8.1 Removing the Drum Unit .....	7-13
7.5.8.2 Removing the Transfer Registration Unit .....	7-13
7.5.8.3 Removing the Feed Guide .....	7-14
7.5.8.4 Removing the Multifeeder Paper Presence/Absence Sensor .....	7-14
7.5.9 Manual Feed Pickup Solenoid .....	7-14
7.5.9.1 Removing the Drum Unit .....	7-14
7.5.9.2 Removing the Transfer Registration Unit .....	7-14
7.5.9.3 Removing the Feed Guide .....	7-14
7.5.9.4 Removing the Multifeeder Connector Cover .....	7-14
7.5.9.5 Removing the Multifeeder Unit .....	7-15
7.5.9.6 Removing the Multifeeder Pickup Solenoid .....	7-15
7.5.10 Registration Roller .....	7-15
7.5.10.1 Removing the Drum Unit .....	7-15
7.5.10.2 Removing the Registration Roller .....	7-15
7.5.11 Registration Clutch .....	7-15
7.5.11.1 Removing the Rear Cover .....	7-15
7.5.11.2 Removing the Registration Clutch .....	7-16
7.5.12 Separation Roller .....	7-16
7.5.12.1 Removing the Feed and Separation Rollers .....	7-16
7.5.13 Separation Pad .....	7-16
7.5.13.1 Removing the Drum Unit .....	7-16
7.5.13.2 Removing the Transfer Registration Unit .....	7-16
7.5.13.3 Removing the Feed Guide .....	7-16
7.5.13.4 Removing the Multifeeder Pickup Roller .....	7-16
7.5.13.5 Removing the Separation Pad .....	7-17

## 7.1 Construction

### 7.1.1 Specifications/Configuration/Operation Methods

iR2016J / iR2016 / iR2020 / / iR2016i / iR2020i

Functions and operation methods of the pickup/feeding system are as follows:

T-7-1

	Item	Function/Operation method
Pickup method	Cassette	Clow retard
	Multi manual feed tray	Duplo separation
Paper stack	Cassette	Plain Paper 300Sheets(64g/m2) 260Sheets(75g/m2) 250Sheets(80g/m2) 125Sheets(90g/m2)
	Multi manual feed tray	Plain paper Large 50Sheets(64g/m2)*1 Small 100Sheets(64g/m2) Large 50Sheets(75g/m2) Small 80Sheets(75g/m2) Large 50Sheets(80g/m2) Small 80Sheets(80g/m2) Large 50Sheets(90g/m2) Small 50Sheets(90g/m2) Thick Paper 50Sheets(105g/m2) 50Sheets(128g/m2) Label sheet 1Sheets OHP 50Sheets Envelope 10Sheets Postcard 40Sheets
Paper size Setting	Cassette	Set by user
	Multi manual feed tray	Set by user
Delivery option	Finisher-U1	
	Inner 2Way Tray-E1	
Pickup option	Cassette Feeding Module-J1 *2	
	Cassette Feeding Module-K1	

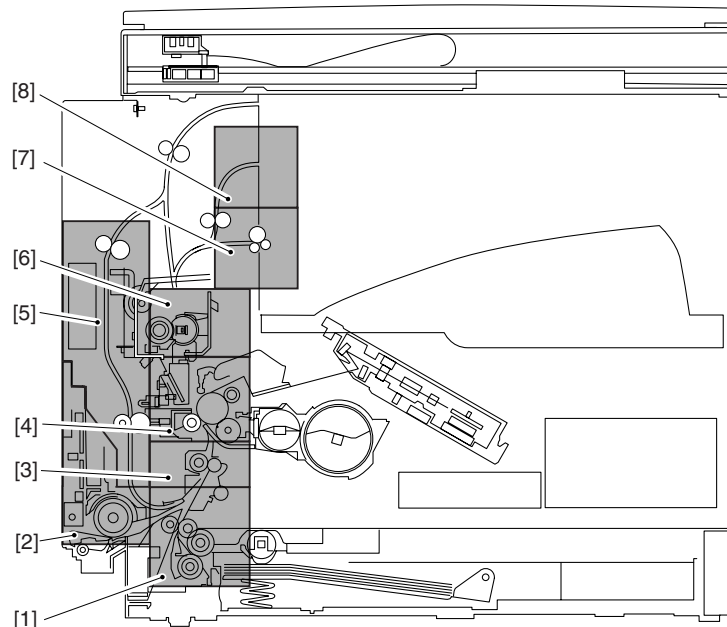
\*1 Large:more than B4/LGL,Small:less than B4/LGL

\*2 Option only for the iR2016 series

### 7.1.2 Locations of Main Units

iR2016J / iR2016 / iR2020 / / iR2016i / iR2020i

Locations of main units of the pickup/feeding system are shown blow.



F-7-1

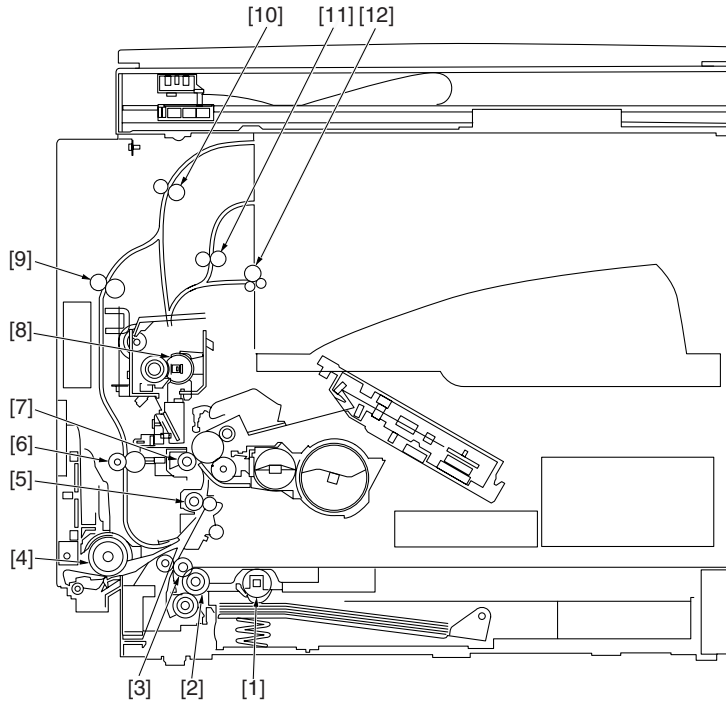
- [1] Pickup assembly
- [2] Manual feed pickup assembly
- [3] Registration roller
- [4] Transfer assembly
- [5] Duplex print paper feed assembly(option)\*1
- [6] Fixing assembly
- [7] First delivery assembly
- [8] Second delivery assembly(option)

\*1 This comes standard with the iR2020i/iR2016i (for USA).

**7.1.3 Roller Layout Drawing**

iR2016J / iR2016 / iR2020 / / iR2016i / iR2020i

The layout of the rollers used in the pickup/feeding system is shown below.

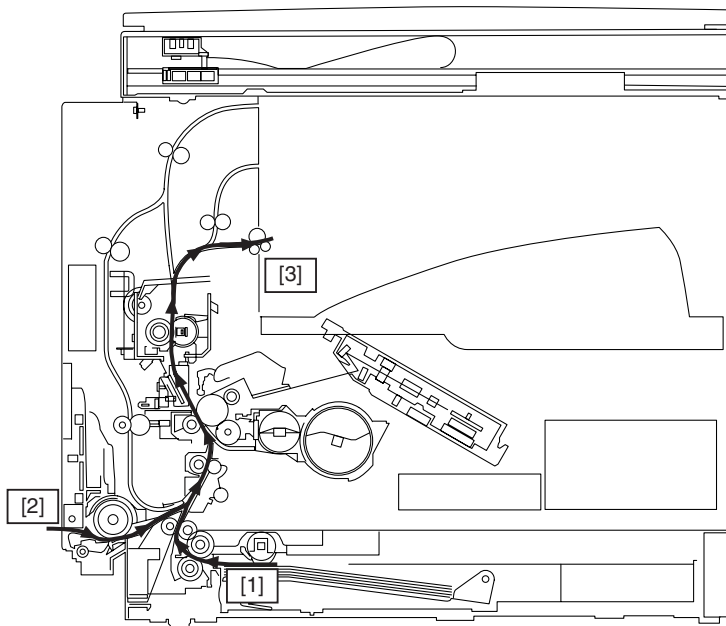


F-7-2

- [1] Pickup roller
- [2] Cassette pickup roller
- [3] Feed roller 1
- [4] Multi pickup roller
- [5] Registration roller
- [6] Duplex print paper feed roller 3
- [7] Transfer roller
- [8] Fixing roller
- [9] Duplex print paper feed roller 2
- [10] Duplex print paper feed roller 1
- [11] Second delivery roller
- [12] First delivery roller

**7.1.4 Paper Path Drawing(Printer on its own)**

iR2016J / iR2016 / iR2020 / / iR2016i / iR2020i

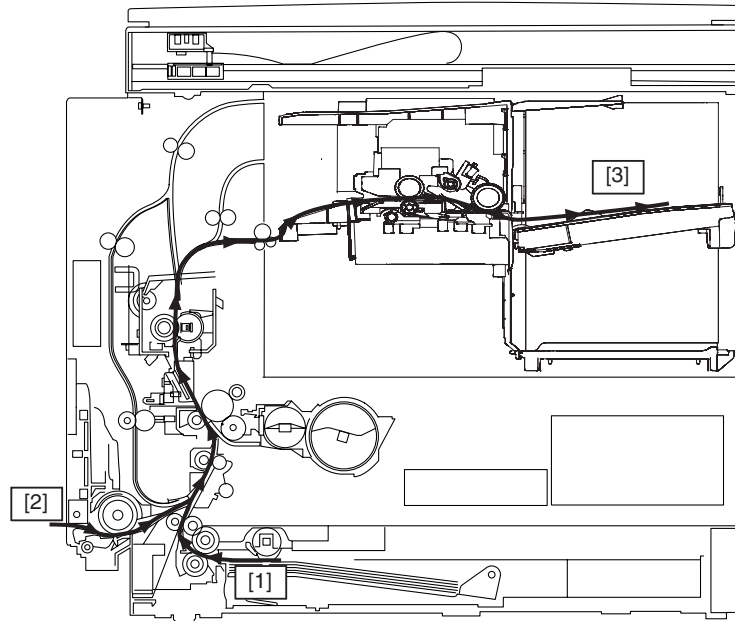


F-7-3

- [1] Cassette pickup
- [2] Manual feed pickup
- [3] Delivery from copy tray 1

### 7.1.5 Paper Path Drawing(Finisher-U1)

iR2016J / iR2016 / iR2020 / / iR2016i / iR2020i

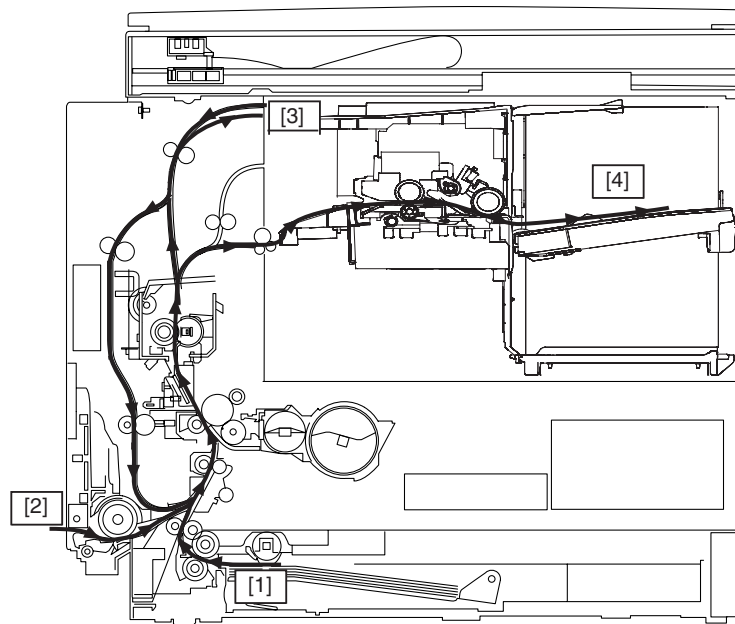


F-7-4

- [1] Cassette pickup
- [2] Manual feed pickup
- [3] Finisher-U1(option)

### 7.1.6 Paper Path Drawing(Duplex Unit-A1/Finisher-U1)

iR2016J / iR2016 / iR2020 / / iR2016i / iR2020i



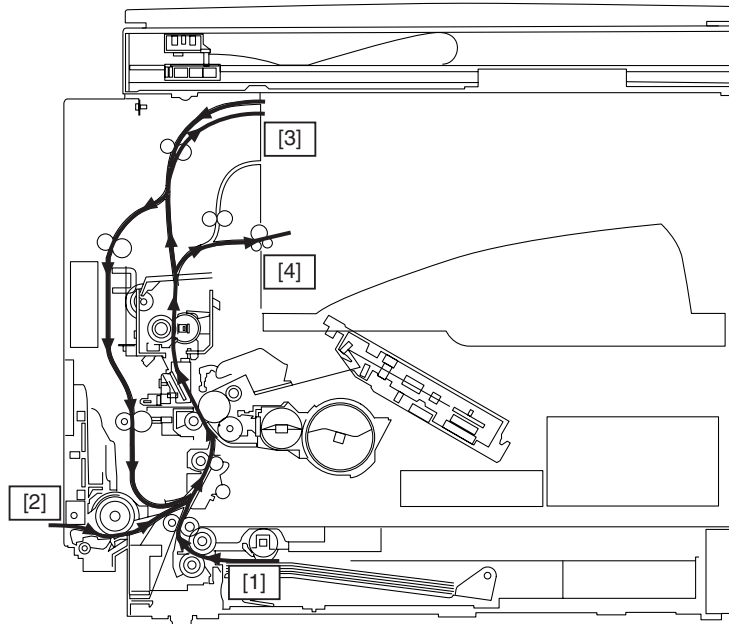
F-7-5

- [1] Cassette pickup
- [2] Manual feed pickup
- [3] Both sides re-paper feed(option)\*1
- [4] Finisher-U1(option)

\*1 This comes standard with the iR2020i/iR2016i (for USA).

### 7.1.7 Paper Path Drawing(Duplex-A1)

iR2016J / iR2016 / iR2020 / / iR2016i / iR2020i



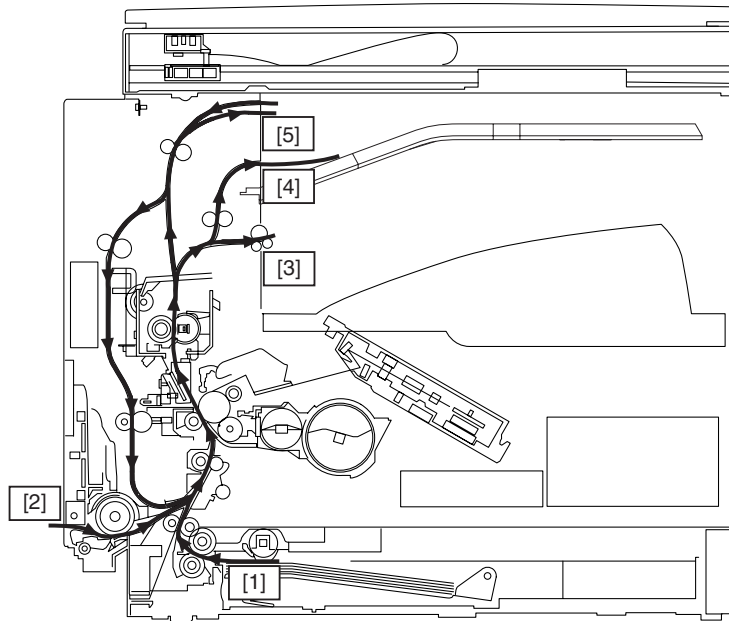
F-7-6

- [1] Cassette pickup
- [2] Manual feed pickup
- [3] Both sides re-paper feed(option)\*1
- [4] Delivery from copy tray 1

\*1 This comes standard with the iR2020i/iR2016i (for USA).

### 7.1.8 Paper Path Drawing(Duplex-A1/Inner 2Way Tray-E1)

iR2016J / iR2016 / iR2020 / / iR2016i / iR2020i



F-7-7

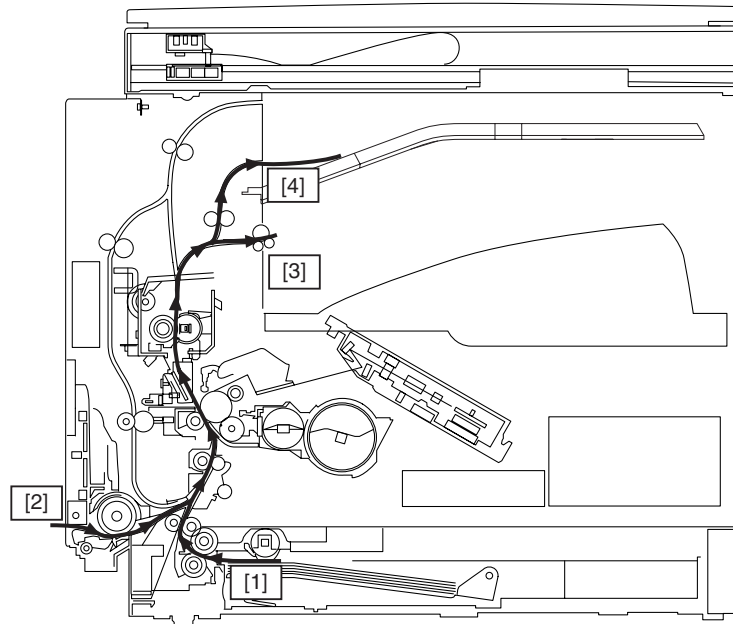
- [1] Cassette pickup
- [2] Manual feed pickup
- [3] Delivery from copy tray 1
- [4] Delivery from copy tray 2(option)
- [5] Both sides re-paper feed(option)\*1

\*1 This comes standard with the iR2020i/iR2016i (for USA).

### 7.1.9 Paper Path Drawing(Inner 2Way Tray-E1)

iR2016J / iR2016 / iR2020 / / iR2016i / iR2020i





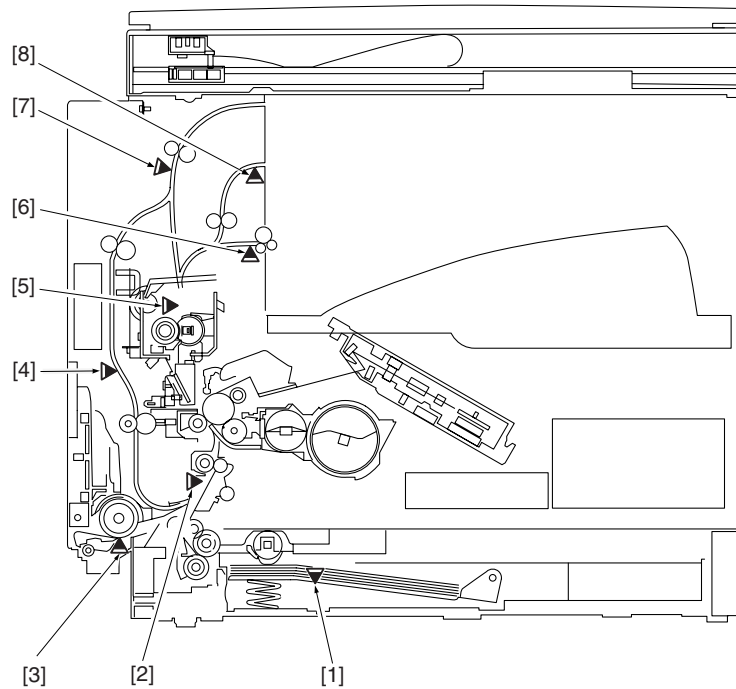
F-7-8

- [1] Cassette pickup
- [2] Manual feed pickup
- [3] Delivery from copy tray 1
- [4] Delivery from copy tray 2(option)

### 7.1.10 Sensor Layout Drawing

iR2016J / iR2016 / iR2020 / / iR2016i / iR2020i

The layout of the sensors used in the pickup/feeding system is shown below.



F-7-9

- [1] Cassette 1 paper presence/absence sensor (SR204)
- [2] Registration sensor (SR209)
- [3] Manual feed paper presence/absence sensor (SR208)
- [4] Duplex print paper sensor 2 (SR1003)(Option)\*1
- [5] Fixed paper delivery sensor (SR202)
- [6] First delivery sensor (SR203)
- [7] Duplex print paper sensor 1 (SR1002)(option)\*1
- [8] Second delivery sensor (SR1102)(option)

\*1 This comes standard with the iR2020i/iR2016i (for USA).

---

## 7.2 Detecting Jams

---

### 7.2.1 Delay Jams

#### 7.2.1.1 Delay Jam in Pickup Assembly

iR2016J / iR2016 / iR2020 / / iR2016i / iR2020i

##### Delay Jam in Pickup Assembly

The registration sensor cannot detect the leading edge of paper within the jam detection time interval after paper pickup started.

T-7-2

---

**Sensor/Solenoid**

---

Registration sensor (SR209)

Pickup solenoid (SL202)

#### 7.2.1.2 Delay Jam in Delivery Assembly (Paper Leading Edge Jam at First Delivery Sensor/Wound Paper Jam at Fixing Assembly)

iR2016J / iR2016 / iR2020 / / iR2016i / iR2020i

##### Paper Leading Edge Jam at First Delivery Sensor

The first delivery sensor cannot detect presence of paper within the prescribed time after the registration clutch has been turned on.

T-7-3

---

**Sensor/Registration clutch**

---

First delivery sensor (SR203)

Registration clutch (CL203)

##### Wound Paper Jam at Fuser

The first delivery sensor has detected absence of paper within the prescribed time after it detected presence of paper (within the prescribed time after the registration clutch had been turned on).

T-7-4

---

**Sensor/Registration clutch**

---

First delivery sensor (SR203)

Registration clutch (CL203)

### 7.2.2 Stationary Jams

#### 7.2.2.1 Stationary Jam in Pickup Assembly

iR2016J / iR2016 / iR2020 / / iR2016i / iR2020i

##### Stationary Jam in Pickup Assembly

The registration sensor does not detect absence of paper within the prescribed time before the next leading edge of fed paper reaches the registration sensor.

T-7-5

---

**Sensor**

---

Registration sensor (SR209)

#### 7.2.2.2 Stationary Jam in Delivery Assembly (Paper Trailing Edge Stationary Jam at First Delivery Sensor/Stationary Jam at First Delivery Sensor)

iR2016J / iR2016 / iR2020 / / iR2016i / iR2020i

##### Paper Trailing Edge Stationary Jam at First Delivery Sensor

The first delivery sensor cannot detect absence of paper within the prescribed time after the registration sensor has been turned off.

T-7-6

---

**Sensor**

---

Registration sensor (SR209)

First delivery sensor (SR203)

##### Stationary Jam at First Delivery Sensor

The first delivery sensor cannot detect absence of paper within the prescribed time after it has detected the leading edge of paper.

T-7-7

---

**Sensor**

---

First delivery sensor (SR203)

### 7.2.3 Other Jams

#### 7.2.3.1 Door Open Jam

iR2016J / iR2016 / iR2020 / / iR2016i / iR2020i

##### Door Open Jam

The door is opened when paper to be printed is in the paper feed path.

---

## 7.3 Cassette Pick-Up Unit

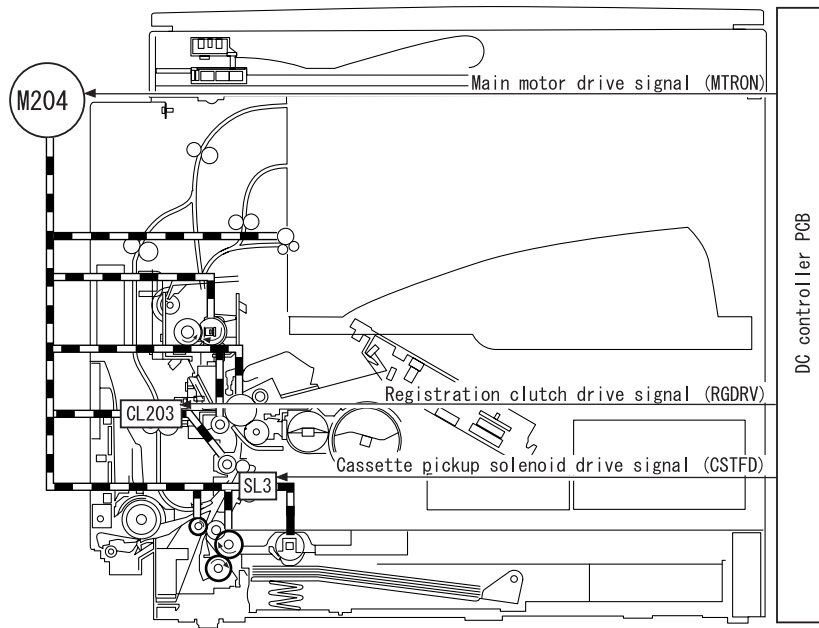
---

### 7.3.1 Overview

iR2016J / iR2016 / iR2020 / / iR2016i / iR2020i

The paper picked up from the cassette is fed to the registration roller using the vertical path roller driven by the main motor (M204). The registration roller is not rotating when paper reaches there, so an arch is formed at the leading of the paper to prevent skewing. The DC controller PCB turns on the registration clutch (CL203) at the prescribed timing to transfer the main motor rotation to the registration roller, thus feeding the paper to the delivery tray through the transfer, sepa-

ration, fixing, and delivery assemblies.



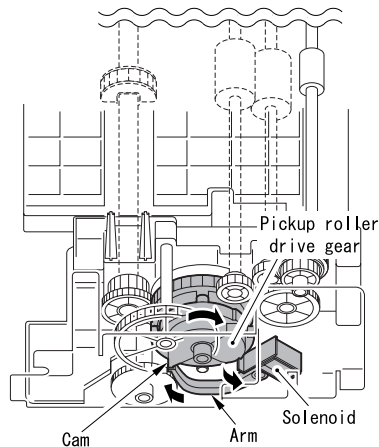
F-7-10

### 7.3.2 Cassette Pickup Operation

iR2016J / iR2016 / iR2020 / / iR2016i / iR2020i

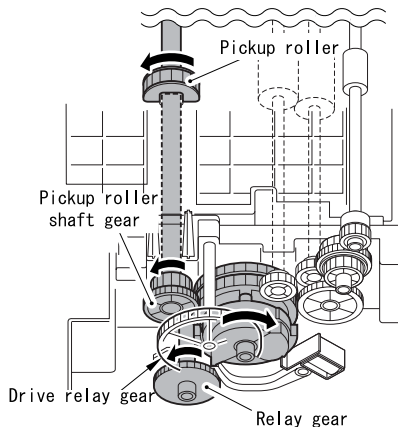
Rotation of the pickup roller is controlled by the pickup roller drive gear, which transfers the drive power of the main motor (M204) to the pickup roller drive shaft, and the cassette pickup solenoid (SL202). When the main motor starts rotating, the interlocked relay gear also starts rotating. At this time, the pickup roller drive gear is not driven because its toothless portion is positioned at the relay gear and therefore these gears are not engaged with each other.

1) The DC controller PCB issues a cassette pickup solenoid drive signal (CSTFD). When the solenoid is turned on, the control arm pushes the cam to rotate the pickup roller drive gear slightly.



F-7-11

2) When the pickup roller drive gear is engaged with the pickup roller shaft gear, drive power is transferred to the pickup roller shaft gear and consequently the pickup roller starts rotating.



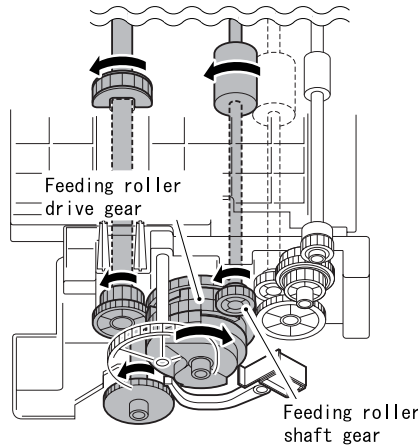
F-7-12

3) When the feed roller drive gear is engaged with the feed roller shaft gear, drive power is transferred to the feed roller shaft gear and consequently the feed roller

starts rotating.

4) When the pickup roller rotates once, the toothless portion of the pickup roller drive gear comes to the position of the relay gear and consequently drive power of the main motor is not transferred, stopping the rotation of pickup and feed rollers.

5) The picked up paper is fed to the registration roller through the vertical path roller.

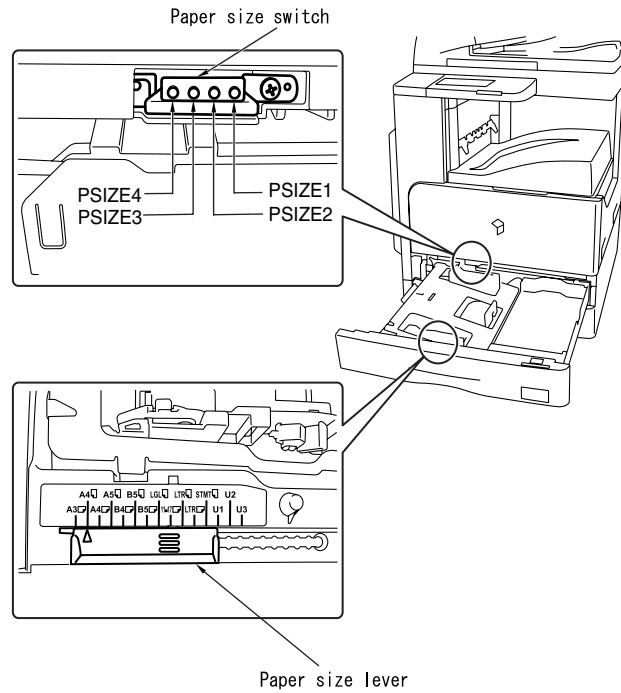


F-7-13

### 7.3.3 Cassette Paper Size Detection

iR2016J / iR2016 / iR2020 / / iR2016i / iR2020i

The size of the paper in the cassette is detected by the DC controller PCB when the user changes the position of the cassette paper size lever. When the cassette is inserted in the iR host machine, the paper size lever pushes the paper size switches provided in the iR host machine to allow the DC controller PCB to detect presence of the cassette and the size of paper. Paper size switches are arranged as shown below. Paper sizes are determined by the combinations of the switches pushed by the paper size lever.



F-7-14

T-7-8

	A3	A4	A4R	A5	B4	B5	B5R	LGL	11x17	LTR	LTRR	STM T	U1*	U2*	U3*
PSIZ E1	ON	OFF	ON	OFF	OFF	ON	ON	OFF	ON	ON	ON	ON	OFF	OFF	OFF
PSIZ E2	OFF	ON	OFF	ON	OFF	OFF	ON	ON	OFF	ON	ON	ON	ON	OFF	OFF
PSIZ E3	OFF	OFF	ON	OFF	ON	OFF	OFF	ON	ON	OFF	ON	ON	ON	ON	OFF
PSIZ E4	OFF	OFF	OFF	ON	OFF	ON	OFF	OFF	ON	ON	OFF	ON	ON	ON	ON

ON: The push switch is pushed.

OFF: The push switch is not pushed.

\*: Not used.

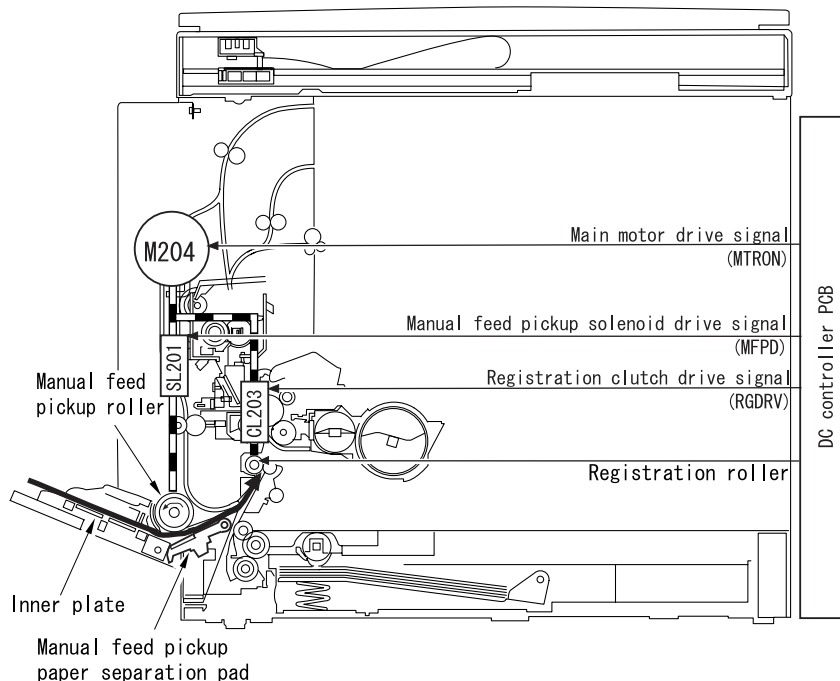
## 7.4 Manual Feed Pickup Unit

### 7.4.1 Overview

iR2016J / iR2016 / iR2020 / / iR2016i / iR2020i

#### a. Multi Manual feed Pickup Control

The manual feed pickup mechanism picks up sheets of paper in succession from the multi manual feed tray. The sheets of paper stacked in the tray are raised against the manual feed pickup roller by the inner plate. The manual feed pickup roller is driven by the main motor (M204) via the manual feed pickup solenoid (SL202) and gears. Only one sheet of paper is picked up by the combination of the manual feed pickup roller and manual feed pickup paper separation pad, and then fed to the registration roller. These operations are performed for each sheet to be picked. The user must set the size of the paper in the multi manual feed tray using the operation panel, or the user must register a fixed size in the user mode.



F-7-15

#### b. Inner Plate Lift Operation

During standby, the inner plate is at the down position with it held by the cams provided at the front and back of the manual feed pickup roller shaft. Rotation of the pickup roller rotates the interlocked cams to lift the inner plate, raising the sheets of paper (loaded in the manual feed tray) against the manual feed pickup roller. On the opposite side of the pickup roller is mounted a separation pad that separates only one sheet of paper from others and feeds it to the next section.

#### c. Manual feed Tray Pickup Drive Mechanism

pickup solenoid drive signal (MFPPD) sent from the DC controller PCB. Rotation of the main motor drives the pickup drive power transfer gear. The DC controller PCB issues a manual feed pickup solenoid drive signal (MFPPD). When the solenoid turns on, the stopper operates to rotate the pickup roller once. Next, the stopper operates again to stop rotation of the pickup roller.

### 7.4.2 Post-pickup Control after Multi Manual Feed Pickup

iR2016J / iR2016 / iR2020 / / iR2016i / iR2020i

Paper pickup operation ends when paper is pressed against the registration roller. After this, the registration roller starts rotating and the multi manual feed pickup clutch turns on. This clutch turns off after feeding the paper by the distance equivalent to the paper size - 126.7 mm (\*1) - 5 mm (\*2).

\*1 Distance that paper is fed from the multi pickup roller to the point where the registration sensor turns on.

\*2 Paper is post-fed to the point which is 5 mm to the training edge.

When the paper size is not specified, paper is post-fed by the distance equivalent to the multi paper feed enabled size (148 mm in longitudinal direction).  
Minimum post-feed distance: 148 mm - 126.7 mm - 5 mm = 16.3 mm

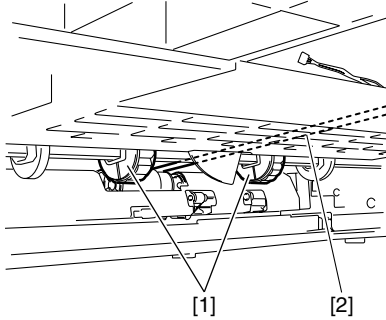
## 7.5 Parts Replacement Procedure

### 7.5.1 Pickup Roller

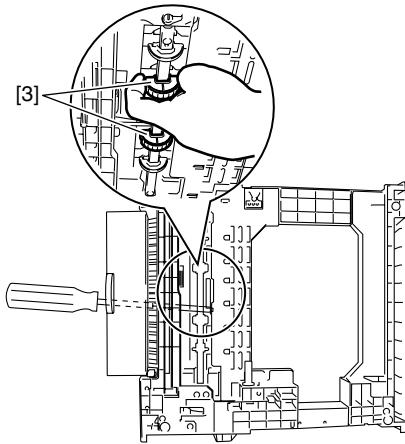
#### 7.5.1.1 Removing the Cassette Paper Pickup Roller

iR2016J / iR2016 / iR2020 / / iR2016i / iR2020i

- 1) Remove the cassette.
- 2) Open the lower-left cover.
- 3) With the pickup roller [1] down, insert a screwdriver [2] or the like from the left side of the host machine as shown below.
- 4) Remove the pickup roller [3] with your fingers as shown below.



F-7-16



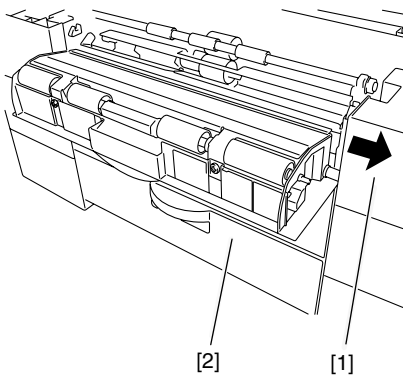
F-7-17

### 7.5.2 Cassette Pickup Assembly

#### 7.5.2.1 Removing the Lower-left Cover

iR2016J / iR2016 / iR2020 / / iR2016i / iR2020i

- 1) Detach the lower-left cover [2] by opening the rear support [1] with a slightly strong force applied in the direction of the arrow.



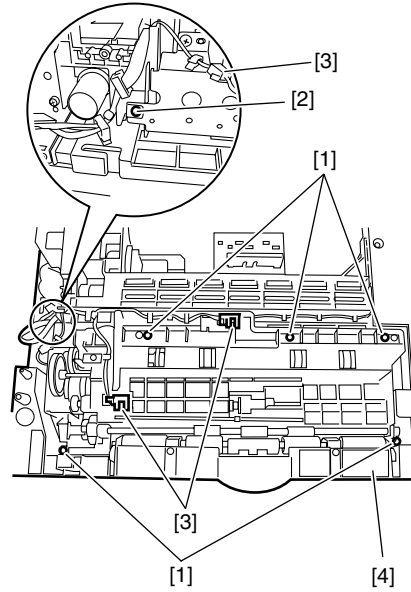
F-7-18

#### 7.5.2.2 Removing the Cassette Pickup Assembly

iR2016J / iR2016 / iR2020 / / iR2016i / iR2020i

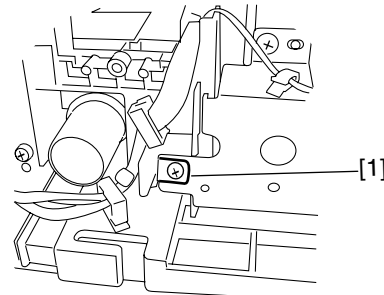
- 1) Detach the cassette rear cover. (2 screws)
- 2) Remove the five screws [1] and one screw with toothed washer [2].

- 3) Disconnect the three connectors [3], and then remove the cassette pickup assembly [4].



F-7-19

**!** Install the cassette pickup assembly with the ground plate [1] outside the side plate.



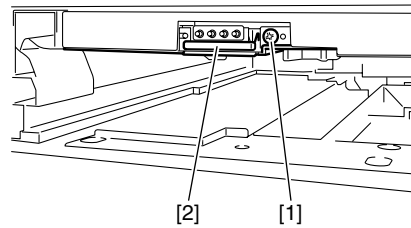
F-7-20

### 7.5.3 Cassette Size Sensor

#### 7.5.3.1 Removing the Paper Size Detection Switches

iR2016J / iR2016 / iR2020 / / iR2016i / iR2020i

- 1) Remove the screw [1], and then remove the paper size switches [2].



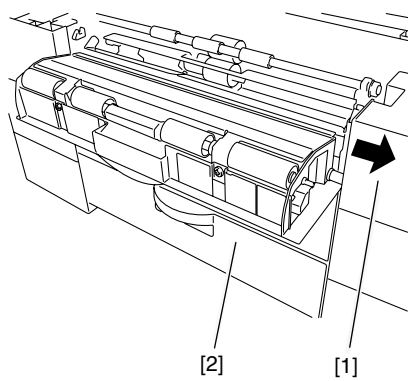
F-7-21

### 7.5.4 Cassette Retry Paper Sensor

#### 7.5.4.1 Removing the Lower-left Cover

iR2016J / iR2016 / iR2020 / / iR2016i / iR2020i

- 1) Detach the lower-left cover [2] by opening the rear support [1] with a slightly strong force applied in the direction of the arrow.

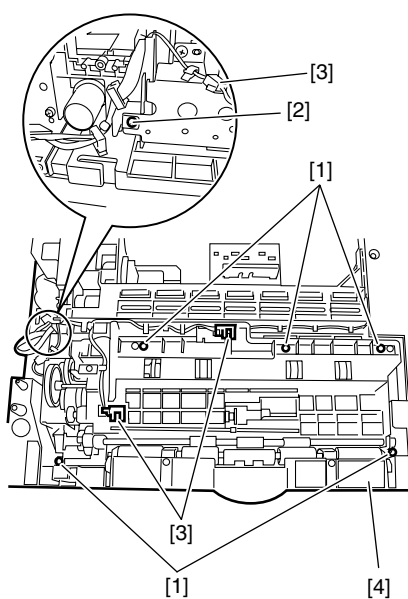


F-7-22

### 7.5.4.2 Removing the Cassette Pickup Assembly

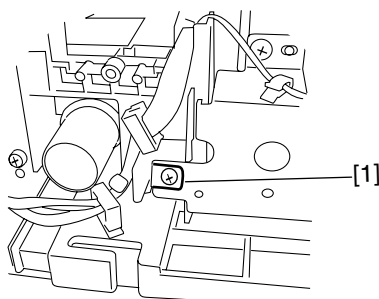
iR2016J / iR2016 / iR2020 / iR2016i / iR2020i

- 1) Detach the cassette rear cover. (2 screws)
- 2) Remove the five screws [1] and one screw with toothed washer [2].
- 3) Disconnect the three connectors [3], and then remove the cassette pickup assembly [4].



F-7-23

**⚠** Install the cassette pickup assembly with the ground plate [1] outside the side plate.

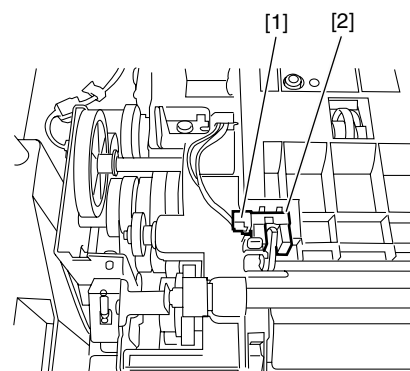


F-7-24

### 7.5.4.3 Removing the Retry Sensor

iR2016J / iR2016 / iR2020 / iR2016i / iR2020i

- 1) Disconnect the connector [1], and then remove the retry sensor [2].



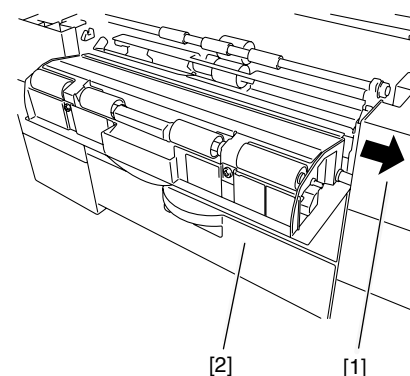
F-7-25

### 7.5.5 Cassette Paper Sensor

#### 7.5.5.1 Removing the Lower-left Cover

iR2016J / iR2016 / iR2020 / iR2016i / iR2020i

- 1) Detach the lower-left cover [2] by opening the rear support [1] with a slightly strong force applied in the direction of the arrow.

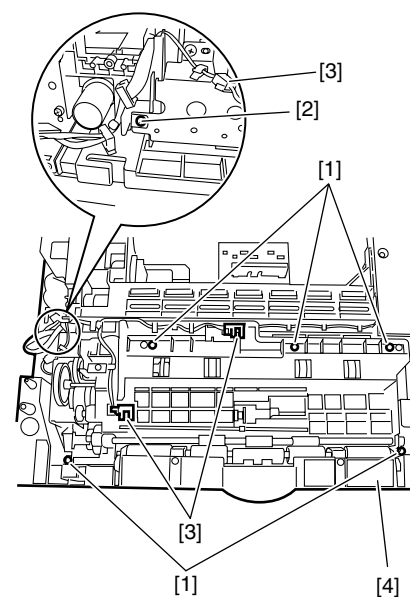


F-7-26

#### 7.5.5.2 Removing the Cassette Pickup Assembly

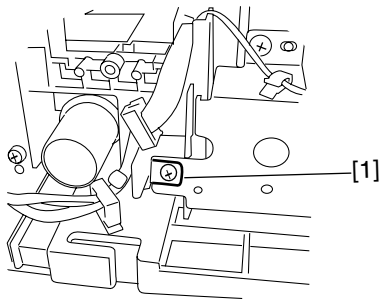
iR2016J / iR2016 / iR2020 / iR2016i / iR2020i

- 1) Detach the cassette rear cover. (2 screws)
- 2) Remove the five screws [1] and one screw with toothed washer [2].
- 3) Disconnect the three connectors [3], and then remove the cassette pickup assembly [4].



F-7-27

**⚠** Install the cassette pickup assembly with the ground plate [1] outside the side plate.

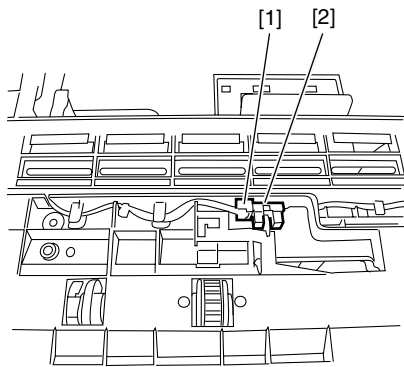


F-7-28

### 7.5.5.3 Removing the Cassette Paper Presence/Absence Sensor

iR2016J / iR2016 / iR2020 / / iR2016i / iR2020i

- 1) Disconnect the connector [1], and then remove the cassette paper presence/absence sensor [2].



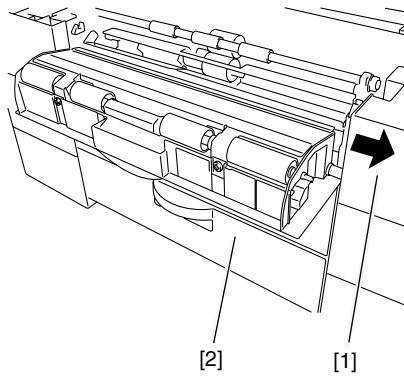
F-7-29

### 7.5.6 Cassette Pickup Solenoid

#### 7.5.6.1 Removing the Lower-left Cover

iR2016J / iR2016 / iR2020 / / iR2016i / iR2020i

- 1) Detach the lower-left cover [2] by opening the rear support [1] with a slightly strong force applied in the direction of the arrow.

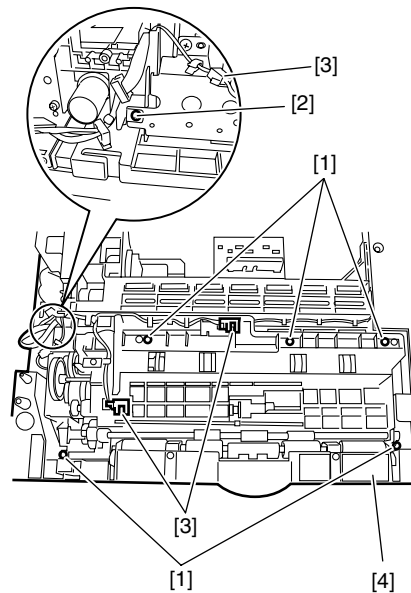


F-7-30

#### 7.5.6.2 Removing the Cassette Pickup Assembly

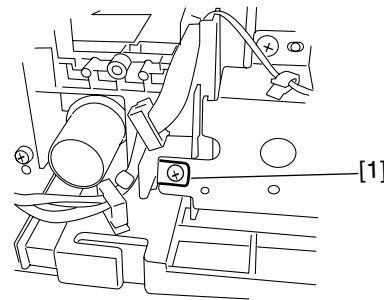
iR2016J / iR2016 / iR2020 / / iR2016i / iR2020i

- 1) Detach the cassette rear cover. (2 screws)
- 2) Remove the five screws [1] and one screw with toothed washer [2].
- 3) Disconnect the three connectors [3], and then remove the cassette pickup assembly [4].



F-7-31

**⚠** Install the cassette pickup assembly with the ground plate [1] outside the side plate.

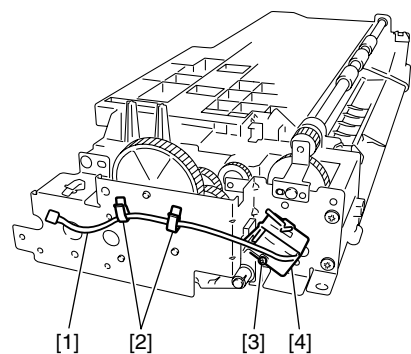


F-7-32

#### 7.5.6.3 Removing the Cassette Pickup Solenoid

iR2016J / iR2016 / iR2020 / / iR2016i / iR2020i

- 1) Remove the harness [1] from the two wire saddles [2].
- 2) Remove the screw [3], and then remove the cassette pickup solenoid [4].



F-7-33

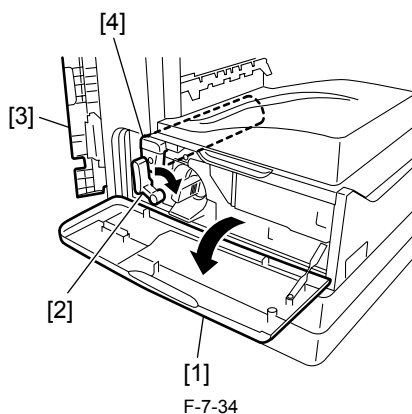
### 7.5.7 Manual Pickup Roller

#### 7.5.7.1 Removing the Drum Unit

iR2016J / iR2016 / iR2020 / / iR2016i / iR2020i

- 1) Open the front cover [1].
- 2) Turn the developer pressure release lever [2] clockwise, and then open the left door [3].
- 3) Draw out the drum unit [4].





F-7-34

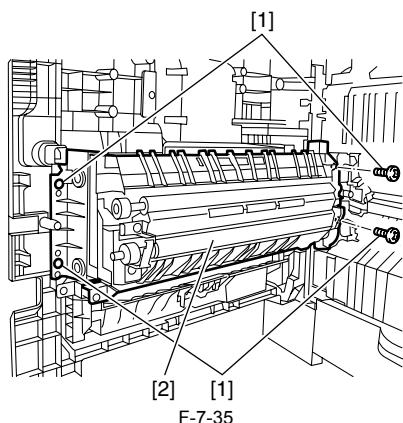
⚠ To prevent exposure to light, cover the drum with several sheets of copy paper and place it in a safe place.

⚠ Open the left door fully to prevent the damage to the drum unit

### 7.5.7.2 Removing the Transfer Registration Unit

iR2016J / iR2016 / iR2020 / iR2016i / iR2020i

1) Remove the four screws [1], and then remove the transfer registration unit [2].

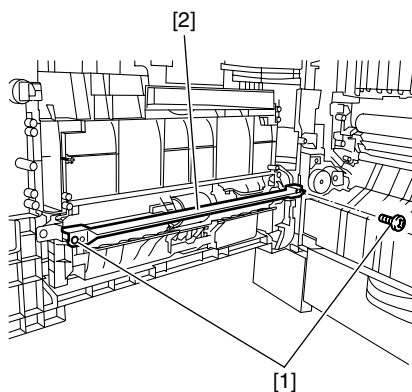


F-7-35

### 7.5.7.3 Removing the Feed Guide

iR2016J / iR2016 / iR2020 / iR2016i / iR2020i

1) Remove the two screws [1], and then remove the feed guide [2].

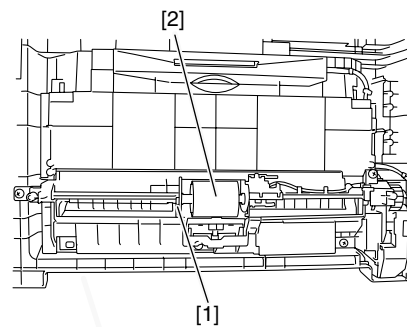


F-7-36

### 7.5.7.4 Removing the Multifeeper Pickup Roller

iR2016J / iR2016 / iR2020 / iR2016i / iR2020i

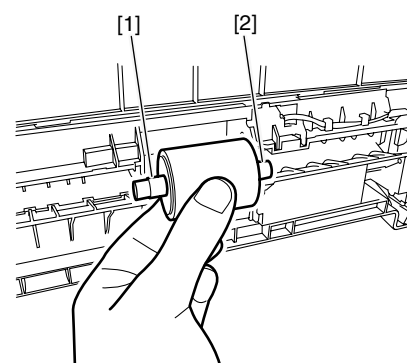
1) Remove the bearing [1], and then remove the multi-paper roller [2].



F-7-37

⚠ When installing the multifeeper pickup roller, pay attention to the orientation.

Left-side axis: [1] Long Right-side axis: Short [2]



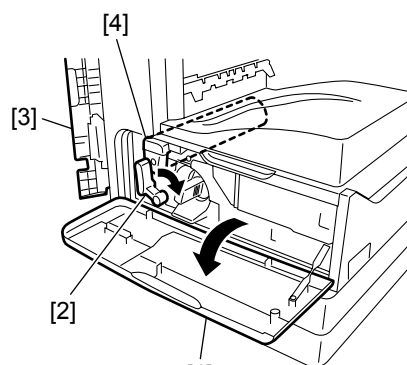
F-7-38

## 7.5.8 Manual Feed Tray paper sensor

### 7.5.8.1 Removing the Drum Unit

iR2016J / iR2016 / iR2020 / iR2016i / iR2020i

1) Open the front cover [1].  
2) Turn the developer pressure release lever [2] clockwise, and then open the left door [3].  
3) Draw out the drum unit [4].



F-7-39

⚠ To prevent exposure to light, cover the drum with several sheets of copy paper and place it in a safe place.

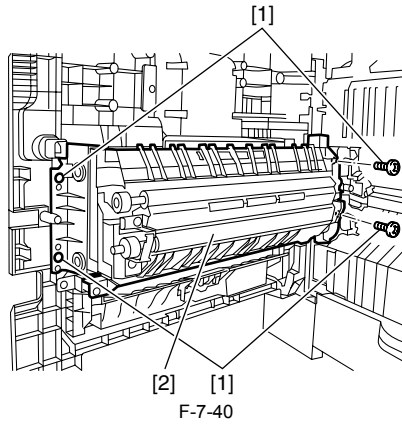
⚠ Open the left door fully to prevent the damage to the drum unit

### 7.5.8.2 Removing the Transfer Registration Unit

iR2016J / iR2016 / iR2020 / iR2016i / iR2020i

1) Remove the four screws [1], and then remove the transfer registration unit

[2].

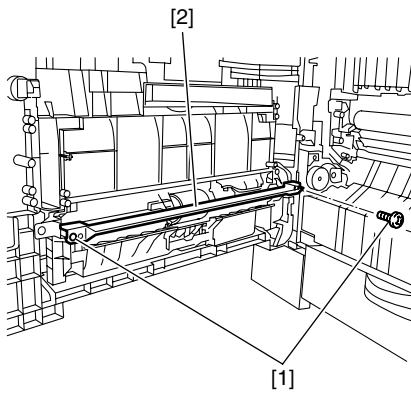


F-7-40

### 7.5.8.3 Removing the Feed Guide

iR2016J / iR2016 / iR2020 / / iR2016i / iR2020i

- 1) Remove the two screws [1], and then remove the feed guide [2].

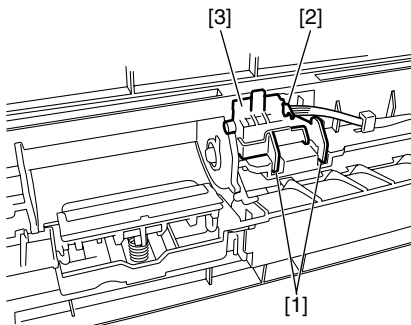


F-7-41

### 7.5.8.4 Removing the Multifeder Paper Presence/Absence Sensor

iR2016J / iR2016 / iR2020 / / iR2016i / iR2020i

- 1) Remove the two claws [1]. Remove the connector [2], and then remove the multifeder paper presence/absence sensor [3].



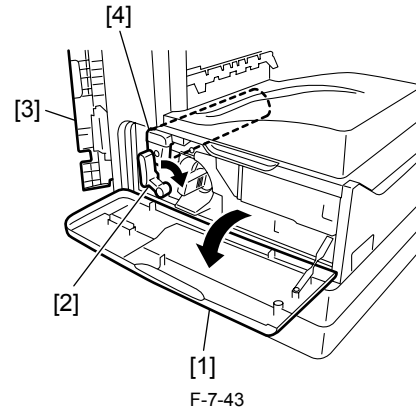
F-7-42

## 7.5.9 Manual Feed Pickup Solenoid

### 7.5.9.1 Removing the Drum Unit

iR2016J / iR2016 / iR2020 / / iR2016i / iR2020i

- 1) Open the front cover [1].
- 2) Turn the developer pressure release lever [2] clockwise, and then open the left door [3].
- 3) Draw out the drum unit [4].



F-7-43

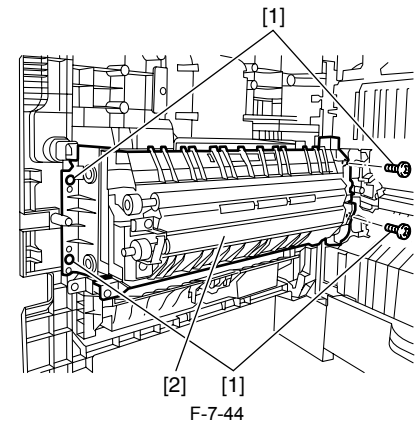
⚠ To prevent exposure to light, cover the drum with several sheets of copy paper and place it in a safe place.

⚠ Open the left door fully to prevent the damage to the drum unit

### 7.5.9.2 Removing the Transfer Registration Unit

iR2016J / iR2016 / iR2020 / / iR2016i / iR2020i

- 1) Remove the four screws [1], and then remove the transfer registration unit [2].

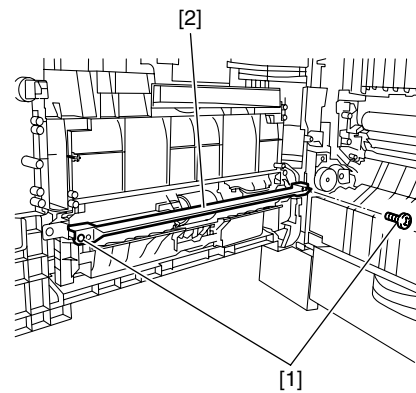


F-7-44

### 7.5.9.3 Removing the Feed Guide

iR2016J / iR2016 / iR2020 / / iR2016i / iR2020i

- 1) Remove the two screws [1], and then remove the feed guide [2].

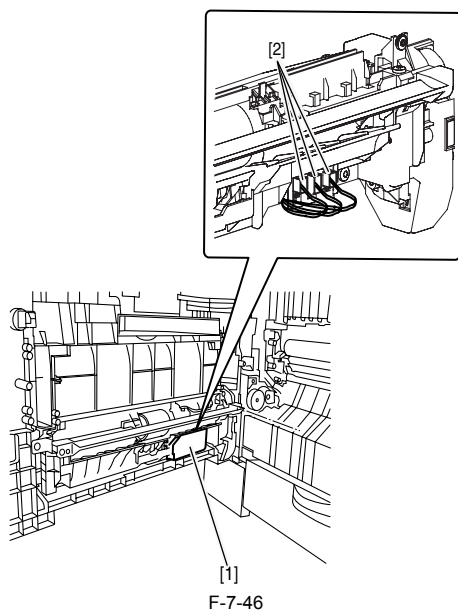


F-7-45

### 7.5.9.4 Removing the Multifeder Connector Cover

iR2016J / iR2016 / iR2020 / / iR2016i / iR2020i

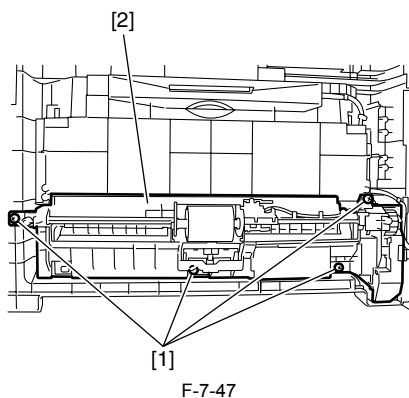
- 1) Detach the multifeder connector cover [1], and then disconnect the three connectors [2].



### 7.5.9.5 Removing the Multifeeder Unit

iR2016J / iR2016 / iR2020 / iR2016i / iR2020i

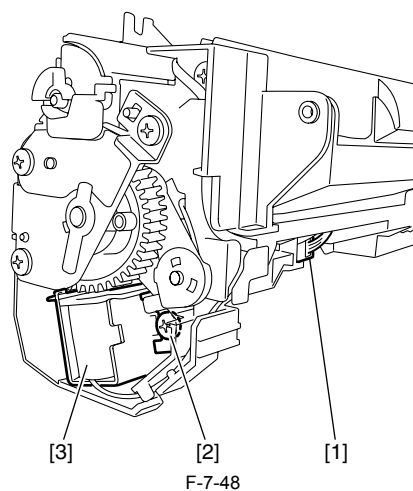
- 1) Remove the four screws [1], and then remove the multifeeder unit [2].



### 7.5.9.6 Removing the Multifeeder Pickup Solenoid

iR2016J / iR2016 / iR2020 / iR2016i / iR2020i

- 1) Disconnect the connector [1], and then remove the harness from the guide.
- 2) Remove the screw [2], and then remove the multifeeder pickup solenoid [3].

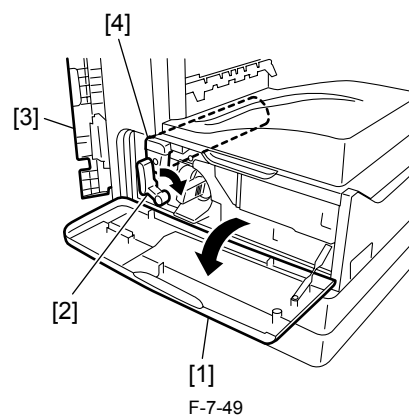


## 7.5.10 Registration Roller

### 7.5.10.1 Removing the Drum Unit

iR2016J / iR2016 / iR2020 / iR2016i / iR2020i

- 1) Open the front cover [1].
- 2) Turn the developer pressure release lever [2] clockwise, and then open the left door [3].
- 3) Draw out the drum unit [4].



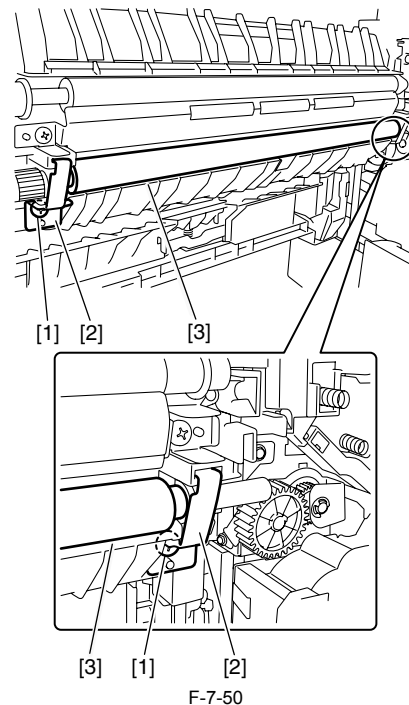
**⚠** To prevent exposure to light, cover the drum with several sheets of copy paper and place it in a safe place.

**⚠** Open the left door fully to prevent the damage to the drum unit

### 7.5.10.2 Removing the Registration Roller

iR2016J / iR2016 / iR2020 / iR2016i / iR2020i

- 1) Remove the two screws [1], remove the two metal plates [2], and remove the registration roller [3].

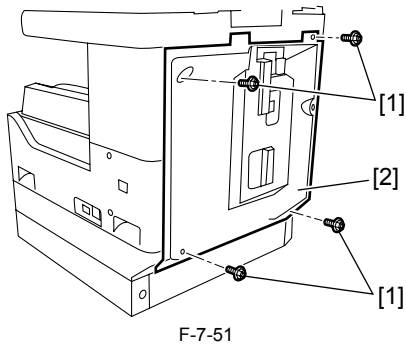


## 7.5.11 Registration Clutch

### 7.5.11.1 Removing the Rear Cover

iR2016J / iR2016 / iR2020 / iR2016i / iR2020i

- 1) Remove the four screws [1], and then detach the rear cover [2].

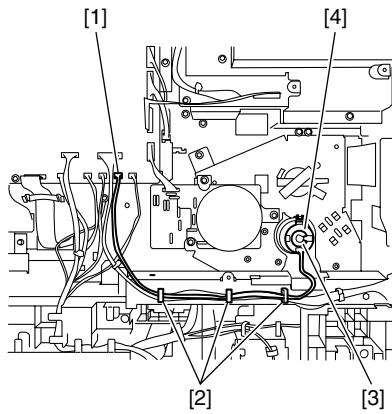


F-7-51

### 7.5.11.2 Removing the Registration Clutch

iR2016J / iR2016 / iR2020 / / iR2016i / iR2020i

- 1) Disconnect the connector [1], and then remove the harness from the three wire saddles [2].
- 2) Remove the resin ring [3], and then remove the registration clutch [4].



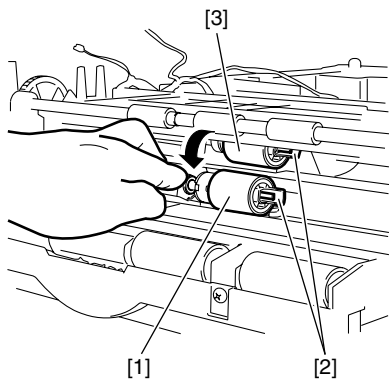
F-7-52

### 7.5.12 Separation Roller

#### 7.5.12.1 Removing the Feed and Separation Rollers

iR2016J / iR2016 / iR2020 / / iR2016i / iR2020i

- 1) Remove the cassette.
- 2) Open the lower-left cover.
- 3) Lower the separation roller [1] as shown below, and then remove the separation roller [1] and feed roller [3] by holding the claws [2] of the roller collars.



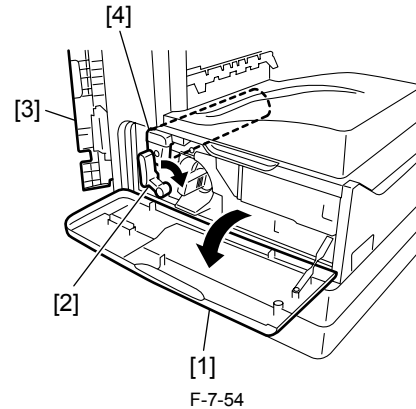
F-7-53

### 7.5.13 Separation Pad

#### 7.5.13.1 Removing the Drum Unit

iR2016J / iR2016 / iR2020 / / iR2016i / iR2020i

- 1) Open the front cover [1].
- 2) Turn the developer pressure release lever [2] clockwise, and then open the left door [3].
- 3) Draw out the drum unit [4].



F-7-54

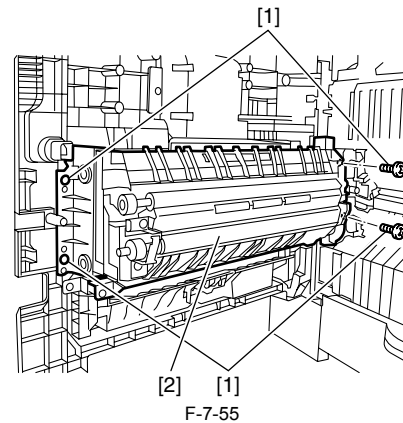
**⚠** To prevent exposure to light, cover the drum with several sheets of copy paper and place it in a safe place.

**⚠** Open the left door fully to prevent the damage to the drum unit

#### 7.5.13.2 Removing the Transfer Registration Unit

iR2016J / iR2016 / iR2020 / / iR2016i / iR2020i

- 1) Remove the four screws [1], and then remove the transfer registration unit [2].

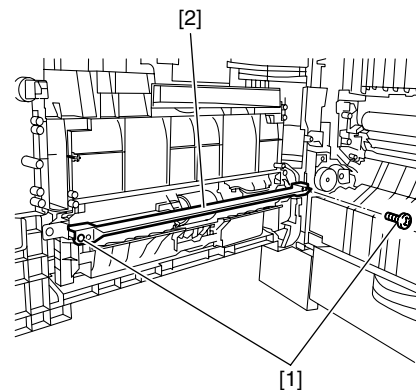


F-7-55

#### 7.5.13.3 Removing the Feed Guide

iR2016J / iR2016 / iR2020 / / iR2016i / iR2020i

- 1) Remove the two screws [1], and then remove the feed guide [2].

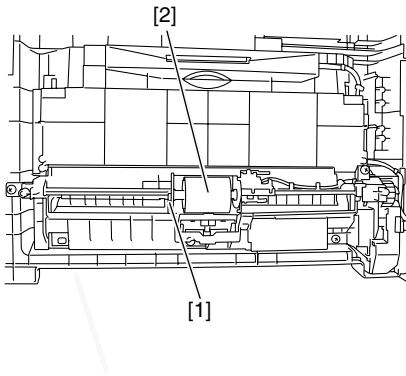


F-7-56

#### 7.5.13.4 Removing the Multifeder Pickup Roller

iR2016J / iR2016 / iR2020 / / iR2016i / iR2020i

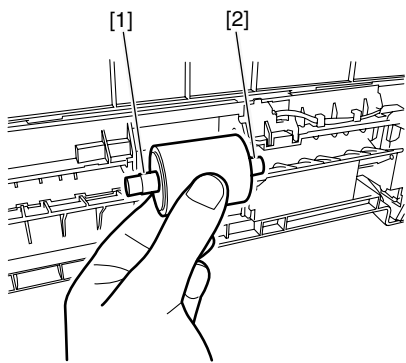
- 1) Remove the bearing [1], and then remove the multi-paper roller [2].



F-7-57

**⚠** When installing the multifeed pickup roller, pay attention to the orientation.

Left-side axis: [1] Long Right-side axis: Short [2]

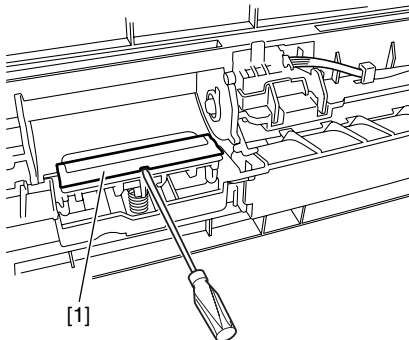


F-7-58

### 7.5.13.5 Removing the Separation Pad

iR2016J / iR2016 / iR2020 / / iR2016i / iR2020i

1) I use a minus screwdriver and remove separation pad [1].



F-7-59



---

## Chapter 8 Fixing System

---





---

# Contents

8.1 Construction .....	8-1
8.1.1 Specifications, Control Mechanisms, and Functions .....	8-1
8.1.2 Major Components .....	8-2
8.2 Various Control Mechanisms .....	8-3
8.2.1 Controlling the Speed of the Fixing Film .....	8-3
8.2.1.1 Controlling the Fixing Film Speed .....	8-3
8.2.2 Controlling the Fixing Film Temperature .....	8-3
8.2.2.1 Outline .....	8-3
8.2.2.2 Controlling the Fixing Film Temperature .....	8-3
8.2.2.3 Target Temperatures by Mode .....	8-4
8.2.3 Detecting the Passage of Paper .....	8-4
8.2.3.1 Detecting the Passage of Paper .....	8-4
8.3 Protective Functions .....	8-5
8.3.1 Protective Functions .....	8-5
8.4 Parts Replacement Procedure .....	8-7
8.4.1 Fixing Unit .....	8-7
8.4.1.1 Removing the Drum Unit .....	8-7
8.4.1.2 Removing the rear cover .....	8-7
8.4.1.3 Removing the Left Cover (Rear) .....	8-7
8.4.1.4 Removing the Left Door .....	8-7
8.4.1.5 Removing the Fixing Unit .....	8-8
8.4.2 Pressure Roller .....	8-9
8.4.2.1 Removing the Drum Unit .....	8-9
8.4.2.2 Removing the rear cover .....	8-9
8.4.2.3 Removing the Left Cover (Rear) .....	8-9
8.4.2.4 Removing the Left Door .....	8-9
8.4.2.5 Removing the Fixing Unit .....	8-10
8.4.2.6 Removing the Fixing Film Unit .....	8-10
8.4.2.7 Removing the Pressure Roller .....	8-12
8.4.3 Fixing Film .....	8-13
8.4.3.1 Removing the Drum Unit .....	8-13
8.4.3.2 Removing the rear cover .....	8-13
8.4.3.3 Removing the Left Cover (Rear) .....	8-13
8.4.3.4 Removing the Left Door .....	8-13
8.4.3.5 Removing the Fixing Unit .....	8-14
8.4.3.6 Removing the Fixing Film Unit .....	8-15
8.4.4 Fixing Delivery Sensor .....	8-17
8.4.4.1 Removing the Drum Unit .....	8-17
8.4.4.2 Removing the Rear Cover .....	8-17
8.4.4.3 Removing the Left Cover (Rear) .....	8-17
8.4.4.4 Removing the Left Door .....	8-17
8.4.4.5 Removing the Fixing Unit .....	8-18
8.4.4.6 Removing the Fixing Delivery Sensor .....	8-18
8.4.5 Fixing Film Sensor .....	8-19
8.4.5.1 Removing the Drum Unit .....	8-19
8.4.5.2 Removing the Rear Cover .....	8-19
8.4.5.3 Removing the Left Cover (Rear) .....	8-20
8.4.5.4 Removing the Left Door .....	8-20
8.4.5.5 Removing the Fixing Unit .....	8-20
8.4.5.6 Removing the Fixing Film Sensor .....	8-21



## 8.1 Construction

### 8.1.1 Specifications, Control Mechanisms, and Functions

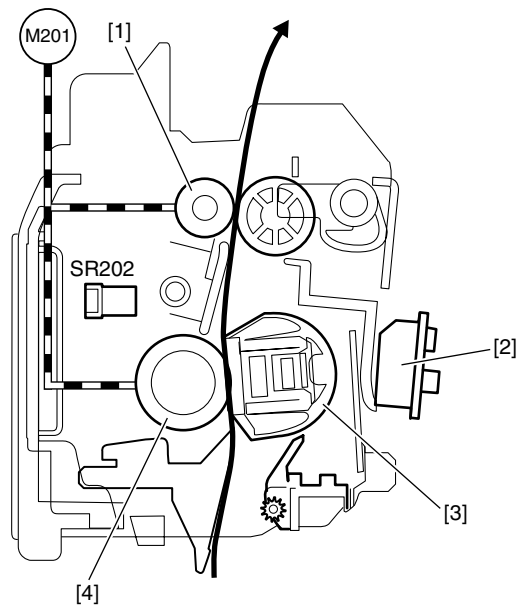
iR2016J / iR2016 / iR2020 / / iR2016i / iR2020i

T-8-1

Item	Function/Method
Fixing method	by fixing film + pressure roller
Fixing heater	Unitary flat heater incorporating both main heater and sub heater
Fixing temperature detection	[1] Main thermistor (TH1): Temperature control and fault detection [2] Sub thermistor (TH2): Fault detection [3] Thermo-switch (TP1): Fault detection
Fixing temperature control	[1] Warm-up temperature control [2] Normal temperature control [3] Sheet-to-sheet temperature control
Protection functions	[1] Detection of error in temperature control by thermistor [2] Detection of temperature rise by thermo-switch
Fixing drive control	Speed control by detecting fixing film rotation

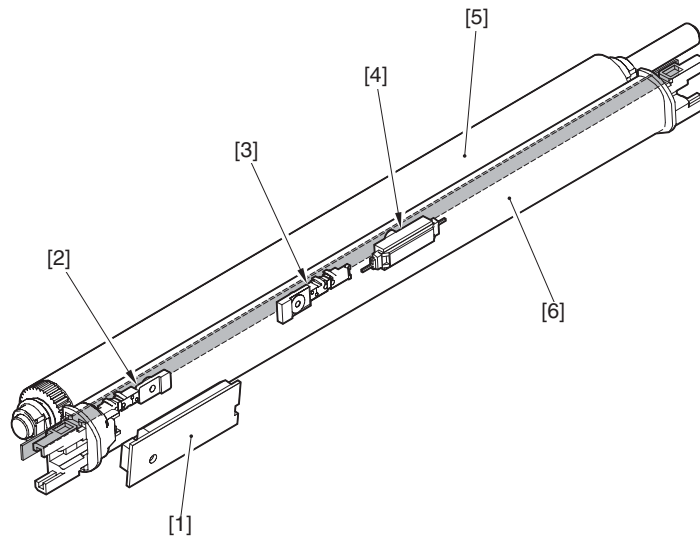
8.1.2 Major Components

iR2016J / iR2016 / iR2020 / / iR2016i / iR2020i



F-8-1

- |     |                          |       |                        |
|-----|--------------------------|-------|------------------------|
| [1] | Inner delivery roller    | [4]   | Pressure roller        |
| [2] | Fixing film speed sensor | SR202 | Fixing delivery sensor |
| [3] | Fixing film unit         | M201  | Fixing drive motor     |



F-8-2

- |     |                          |     |                     |
|-----|--------------------------|-----|---------------------|
| [1] | Fixing film speed sensor | [4] | Thermo-switch (TP1) |
| [2] | Sub thermistor (TH2)     | [5] | Pressure roller     |
| [3] | Main thermistor (TH1)    | [6] | Fixing film unit    |

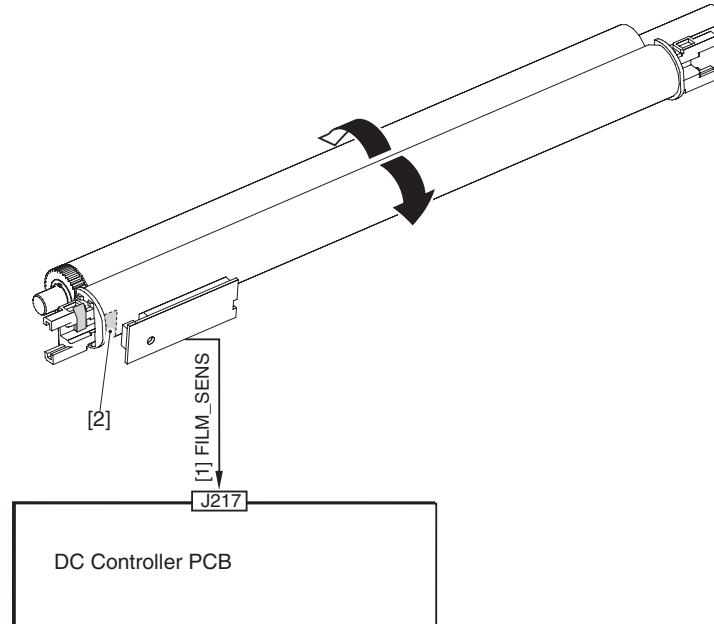
## 8.2 Various Control Mechanisms

### 8.2.1 Controlling the Speed of the Fixing Film

#### 8.2.1.1 Controlling the Fixing Film Speed

iR2016J / iR2016 / iR2020 / / iR2016i / iR2020i

The rotation cycle is measured with reference to the mark provided at the end of the fixing film to rotate the fixing drive motor at the optimum speed, thus keeping the paper feed speed constant. Measurement of the cycle of each rotation (excluding the initial rotation and post-rotation) of the fixing drive motor starts when 1 second lapses after the motor starts rotating and ends when the trailing edge of the last sheet has passed through the fixing nipper.



F-8-3

[1] Film rotation detection signal (FILM\_SENS): Set to 1 and 0 alternately when the fixing film is rotating.

[2] Rotation cycle measurement mark

### 8.2.2 Controlling the Fixing Film Temperature

#### 8.2.2.1 Outline

iR2016J / iR2016 / iR2020 / / iR2016i / iR2020i

The surface temperature of the fixing heater is detected to control the fixing heater drive signal so that the fixing heater temperature becomes the target temperature. The temperature of the fixing heater is detected by the thermistor (TH1/TH2) provided on the fixing heater. If the surface temperature rises, the resistance of the thermistor lowers and the voltage of the fixing heater temperature detection signal (M\_TH/S\_TH) also lowers.

The CPU on the DC controller monitors the voltage of the M\_TH/S\_TH signal to control the fixing heater 1 drive signal (H1DRV) and fixing heater 2 drive signal (H2DRV). These two voltages are generated based on the zero crossing detection signal which is output from the heater control circuit. The CPU controls these two signals to adjust the fixing heater temperature to the prescribed value.

#### 8.2.2.2 Controlling the Fixing Film Temperature

iR2016J / iR2016 / iR2020 / / iR2016i / iR2020i

This machine performs fixing temperature control according to the fixing heater temperature as mentioned below.

- 1) Warm-up temperature control  
Upon receipt of a print command from the DC controller, the fixing heater heats to the temperature below the target paper-present section temperature.
- 2) Paper-present section temperature control  
The fixing heater temperature is adjusted to the target paper-present section temperature according to the combination of the paper size, number of sheets fed, fixing mode, and temperature detected by the fixing main thermistor.
- 3) Sheet-to-sheet temperature control  
The fixing heater temperature is held relatively below the target paper-present section temperature to prevent the paper-absent section temperature from rising between sheets.
- 4) Down sequence  
The temperature may detect an abnormally high temperature during continuous printing. If the sub-thermistor detects a temperature equal to or higher than 275 deg C, the sheet-to-sheet distance is increased to prevent the paper-absent section temperature from rising. If the sub-thermistor detects a temperature equal to or lower than 220 deg C in the down sequence, normal control resumes.
- 5) Cooling mode  
If printing is performed using wider sheets (\*1) after printing is performed using narrower sheets in the continuous print mode, fixing offset may occur due to the difference in temperature between the edge and center. If the sub-thermistor detects a temperature equal to or higher than 130 deg C, paper feed and printing stop to prevent the temperature from rising at the edge. If the sub-thermistor detects a temperature equal to or lower than 130 deg C or two or more minutes lapse, normal control resumes.

\*1: The large size is a paper of which the width is 10 mm larger than the previous job.

### 8.2.2.3 Target Temperatures by Mode

iR2016J / iR2016 / iR2020 / / iR2016i / iR2020i

This machine controls the fixing temperature according to the "media type" selected in the user mode and the "target temperature" set in the "special mode." The correspondence between each mode and target temperature is as follows:

T-8-2

Fixing mode	Paper type	Target initial fixing temperature (*1)	Initial number of sheets (*2)	Condition
Normal	Plain paper (colored paper/recycled paper/ label sheet (64-80 g/m2))	190 deg C	1-9 (A4/LTR)	Special Mode P: OFF
		185 deg C	1-9 (A4/LTR)	Special Mode P: ON
Rough Paper Lo	Heavy paper 1 (81-90 g/m2) Heavy paper 2 (91-105g/m2)	195 deg C	1-9 (A4/LTR)	
Rough Paper	Heavy paper 3 (106-128g/m2)	220 deg C	1-9 (A4/LTR)	
Super rough paper	Bond paper	220 deg C	1-100 (A4/LTR)	Bond SP. FIX. Mode: OFF
Super rough paper Hi	Bond paper	220 deg C	1-100 (A4/LTR)	Bond SP. FIX. Mode: ON
Postcard	Postcard	220 deg C	1-2	Special Mode S: OFF
Postcard H	Postcard	220 deg C	1	Special Mode S: Speed Priority 1 or Speed Priority 2
Envelope	Envelope	220 deg C	1-2	
OHP	OHP	190 deg C	1-9 (A4/LTR)	

\*1: Target fixing temperature at startup. When the initial temperature of the fixing unit is high, the target temperature is lowered. In the continuous copy mode, the target temperature is lowered in 5 deg C steps.

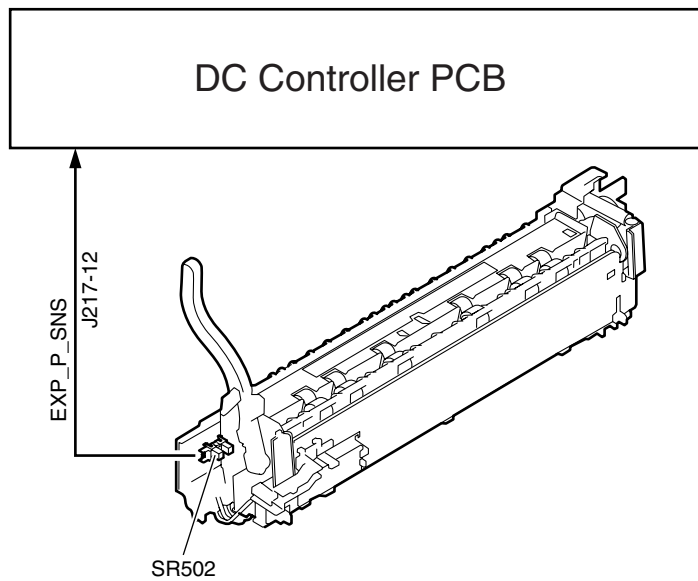
\*2: Number of sheets controlled at the initial target temperature. If it is exceeded, the target temperature is lowered. The prescribed number of sheets varies with the paper size.

### 8.2.3 Detecting the Passage of Paper

#### 8.2.3.1 Detecting the Passage of Paper

iR2016J / iR2016 / iR2020 / / iR2016i / iR2020i

The paper passage detection mechanism of the fixing unit is shown below.



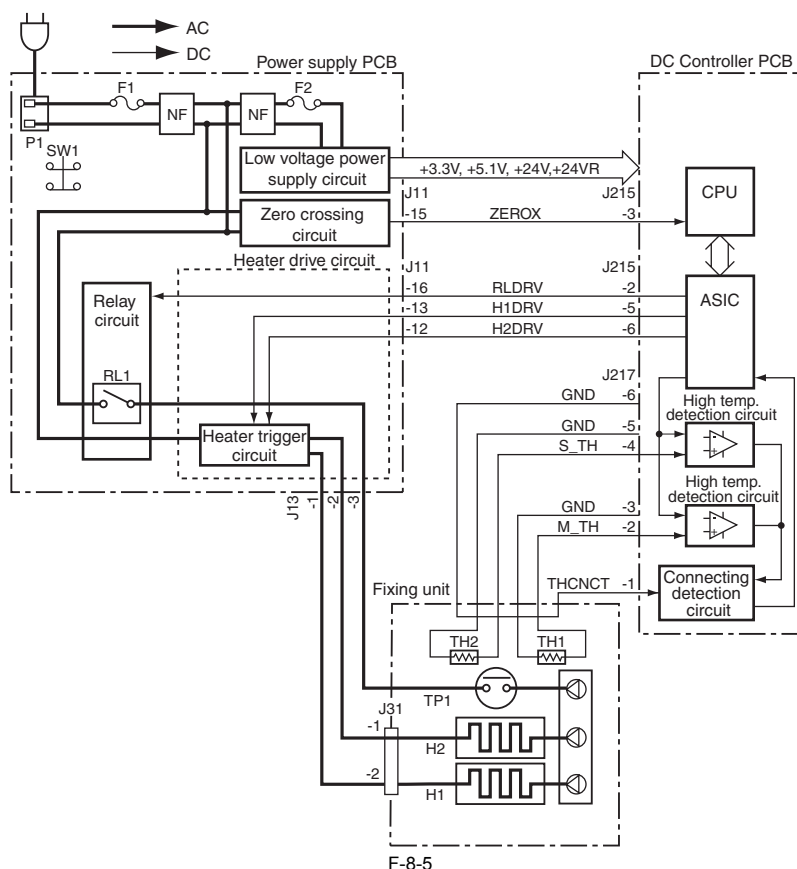
F-8-4

If a delay jam is detected by the fixing delivery sensor (SR202), the fixing motor is stopped immediately to prevent paper from winding around the fixing roller.

## 8.3 Protective Functions

### 8.3.1 Protective Functions

iR2016J / iR2016 / iR2020 / iR2016i / iR2020i



#### Protection Functions

This machine is provided with the following four protection functions to prevent the fixing heater from overheating:

- 1) The CPU monitors the thermistor (TH1) voltage. If the thermistor (TH1) voltage is abnormal, the CPU judges that the fixing heater is faulty and turns off the relay (RL1). At the same time, the CPU notifies the DC controller of occurrence of the fixing heater failure.
- 2) If the temperature of the fixing heater rises abnormally and the thermistor (TH1) detects a voltage lower than about 0.7 V (equivalent of 240 deg C), the fixing heater high temperature detection circuit cuts off the power supplied to the fixing heater.
- 3) If the temperature of the fixing heater rises abnormally and the thermo switch (TP1) detects a temperature higher than 244 deg C, the thermo switch turns off to cut off the power supplied to the fixing heater.

#### Failure Detection

The CPU performs error detection at intervals of 40 msec. If any one of the cases a to d occurs, the CPU stops the machine completely. To restart the machine, remove the cause of the failure and carry out initial rotation. If a failure is detected, an error code "EXXX" is displayed on the operation panel.

#### MEMO:

In case of iR2020i/iR2016i, the detail code of the error code of this machine can be confirmed in the following service mode.

Service mode>ERROR DISPLAY

#### a. Failure at startup

- 1) The main thermistor has detected temperatures lower than 30 deg C continuously for 400 or more msec since 1 second lapsed after energization of the fixing heater.
- 2) The main thermistor has detected temperatures lower than 70 deg C continuously for 400 or more msec since 2 seconds lapsed after energization of the fixing heater.
- 3) The sub-thermistor has detected temperatures lower than 75 deg C continuously for 400 or more msec since 5 seconds lapsed after energization of the fixing heater.
- 4) The temperature rise detected by the main thermistor is less than 5 deg C when energization of the fixing heater starts, when the temperature detected by the main thermistor is less than 100 deg C, or when 1 sec has lapsed since start of energization.
- 5) The main thermistor has detected temperatures less than 115 deg C continuously for 400 or more msec since 1 second has lapsed after detection of 100 deg C.
- 6) The main thermistor has detected temperatures less than 150 deg C continuously for 400 or more msec since 1 second has lapsed after detection of 140 deg C.
- 7) The main thermistor has detected temperatures less than 165 deg C continuously for 400 or more msec since 1 second has lapsed after detection of 160 deg C.
- 8) The target printing temperature is not reached when 30 seconds have lapsed since start of the initial rotation.

#### b. Low temperature detection during temperature control

During temperature control, the main or sub thermistor has detected low temperatures continuously for 400 or more msec after the target temperature was reached.

#### c. Abnormally high temperature detection

- 1) The main thermistor has detected 240 C deg irrespective of whether the fixing heater is of or off.
- 2) The sub thermistor has detected 295 deg C irrespective of whether the fixing heater is of or off.
- 3) An abnormally high temperature has been detected in the ASIC irrespective of whether the fixing heater is of or off.

#### d. Drive circuit failure

- 1) The zero crossing signal frequency of the power supply has not been detected during initial rotation.
- 2) During temperature control, no zero crossing signal has been input for 3 seconds.
- 3) A triac short circuit has been detected in the ASIC.

#### Fixing System Error Codes E000-0000 STARTUP ERROR

The temperature detected by the main and sub thermistors did not reach the prescribed temperature during startup control.

**E001-0000 ABNORMALLY HIGH TEMPERATURE (detected by main thermistor)**

The main thermistor detected an abnormally high temperature (250 deg C) during temperature control.

**E001-0001 ABNORMALLY HIGH TEMPERATURE (detected by sub thermistor)**

The sub thermistor detected an abnormally high temperature (295 deg C) during temperature control.

**E002-0000 LOW TEMPERATURE DETECTED DURING TEMPERATURE CONTROL**

The main and sub thermistors detected an abnormally low temperature (140 deg C) during temperature control.

**E003-0000 ABNORMALLY LOW TEMPERATURE (detected by main thermistor)**

The temperature detected by the main thermistor does not reach the target temperature during initial rotation after it has reached the target temperature.

**E003-0001 ABNORMALLY LOW TEMPERATURE (detected by sub thermistor)**

The temperature detected by the sub thermistor does not reach the target temperature during initial rotation after it has reached the target temperature.

**E007-0000 ABNORMALLY LOW TEMPERATURE (detected by sub thermistor)**

A fixing film sensor failure has been detected.

**E808-0000 DRIVE CIRCUIT FAILURE**

A zero crossing signal cannot be detected.

A fixing drive motor failure has been detected.

---



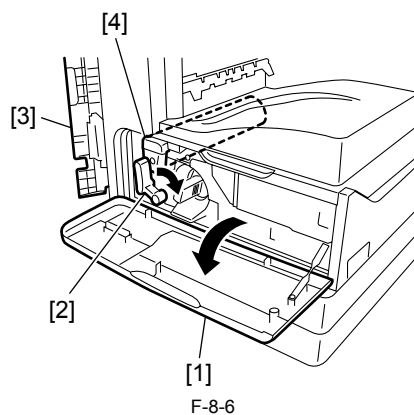
## 8.4 Parts Replacement Procedure

### 8.4.1 Fixing Unit

#### 8.4.1.1 Removing the Drum Unit

iR2016J / iR2016 / iR2020 / / iR2016i / iR2020i

- 1) Open the front cover [1].
- 2) Turn the developing assembly locking lever [2] clockwise to open the left door [3].
- 3) Draw out the drum unit [4].

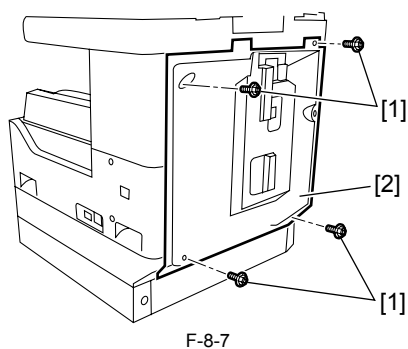


- When attaching or detaching the drum unit, open the left door fully to prevent the damage to the drum unit.
- To prevent exposure of the drum, cover the drum unit with a few sheets of paper and place it in a safe place.

#### 8.4.1.2 Removing the rear cover

iR2016J / iR2016 / iR2020 / / iR2016i / iR2020i

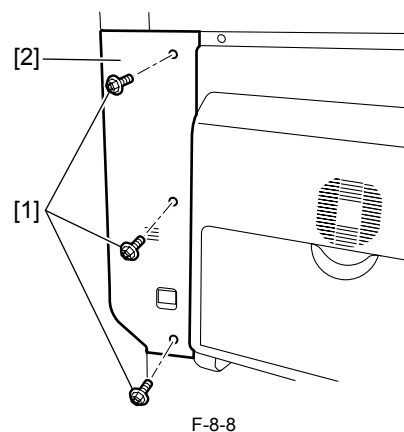
- 1) Remove the four screws [1], and then detach the rear cover [2].



#### 8.4.1.3 Removing the Left Cover (Rear)

iR2016J / iR2016 / iR2020 / / iR2016i / iR2020i

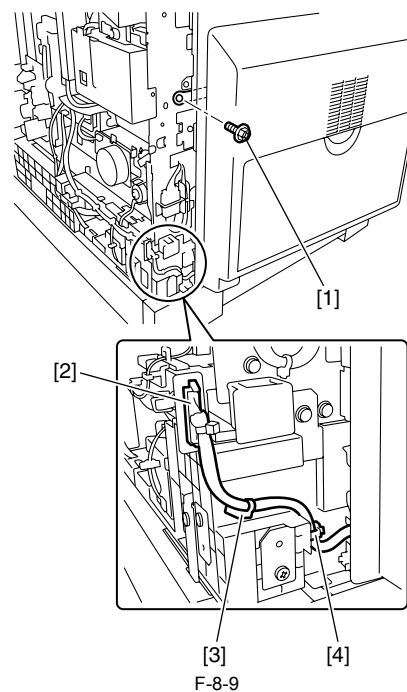
- 1) Remove the three screws [1], and then detach the left cover (rear).



#### 8.4.1.4 Removing the Left Door

iR2016J / iR2016 / iR2020 / / iR2016i / iR2020i

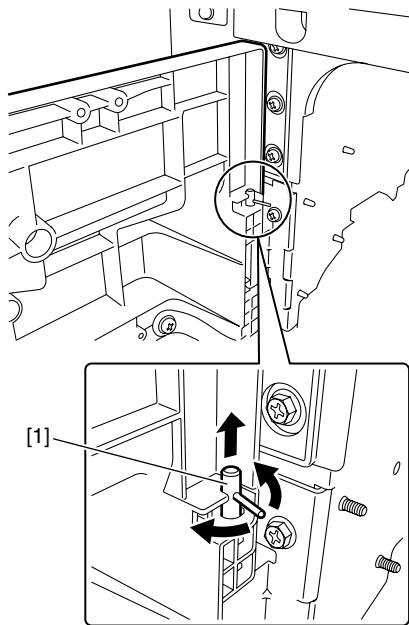
- 1) Remove the screw [1] securing the door support band. Remove the connector [2] and reusable band [3], and release the duplex unit harness from the wire saddle [4].



- 2) Open the left door until it stops and pull out the hinge shaft [1].

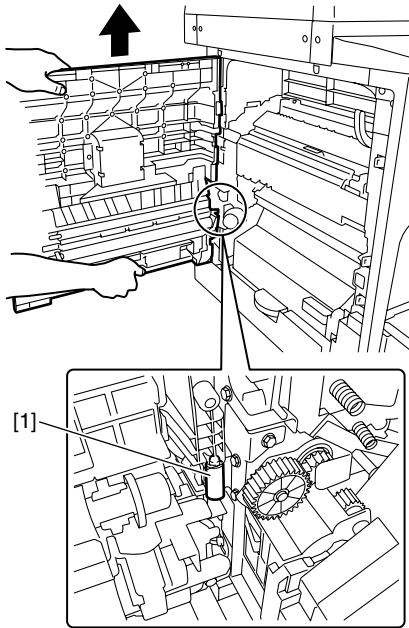
#### MEMO:

When a duplex unit (option) is installed, remove it before pulling out the hinge shaft for each access.



F-8-10

- 3) Lift the left door with both hands to release it from the door rotation shaft [1], and then remove the left door.

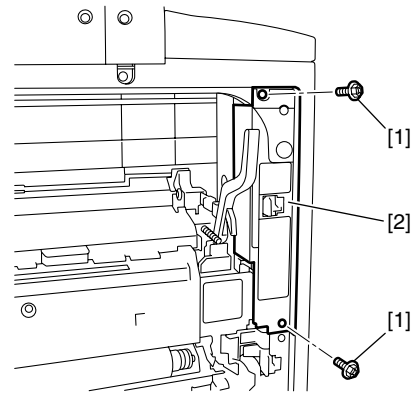


F-8-11

### 8.4.1.5 Removing the Fixing Unit

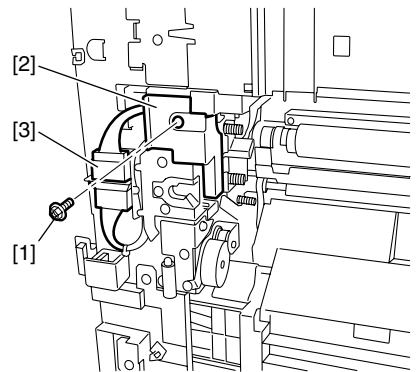
iR2016J / iR2016 / iR2020 / / iR2016i / iR2020i

- 1) Remove the two screws [1], and then detach the inner cover [2] at the upper front.



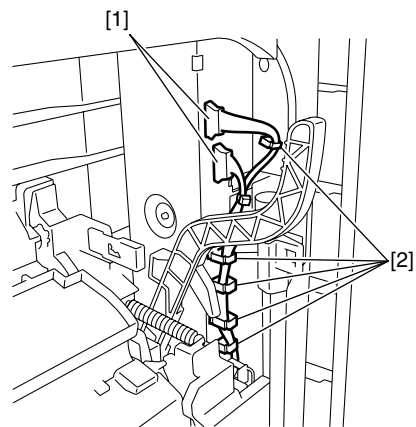
F-8-12

- 2) Remove the screw [1], and then detach the heater harness cover [2]. Disconnect the connector [3].



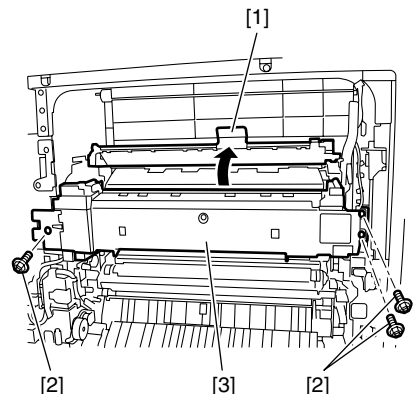
F-8-13

- 3) Disconnect the two connectors [1], and then release the fixing unit harness from the wire saddle [2].



F-8-14

- 4) Raise the delivery upper guide [1]. Remove the three screws [2], and then remove the fixing unit [3].



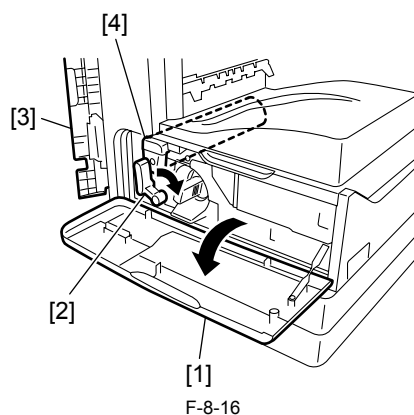
F-8-15

## 8.4.2 Pressure Roller

### 8.4.2.1 Removing the Drum Unit

iR2016J / iR2016 / iR2020 / / iR2016i / iR2020i

- 1) Open the front cover [1].
- 2) Turn the developing assembly locking lever [2] clockwise to open the left door [3].
- 3) Draw out the drum unit [4].

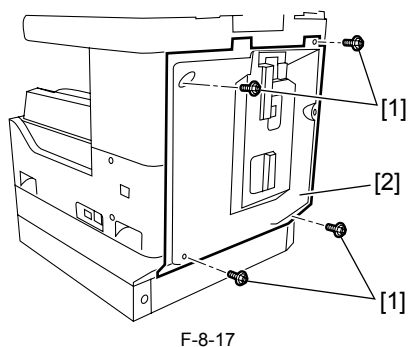


- When attaching or detaching the drum unit, open the left door fully to prevent the damage to the drum unit.
- To prevent exposure of the drum, cover the drum unit with a few sheets of paper and place it in a safe place.

### 8.4.2.2 Removing the rear cover

iR2016J / iR2016 / iR2020 / / iR2016i / iR2020i

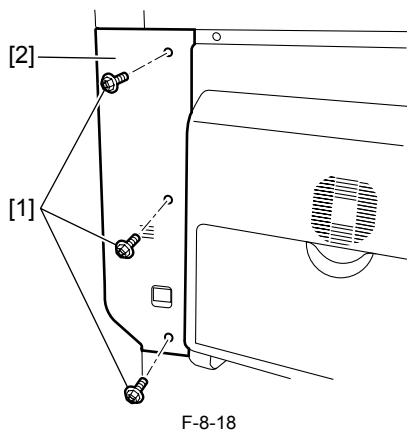
- 1) Remove the four screws [1], and then detach the rear cover [2].



### 8.4.2.3 Removing the Left Cover (Rear)

iR2016J / iR2016 / iR2020 / / iR2016i / iR2020i

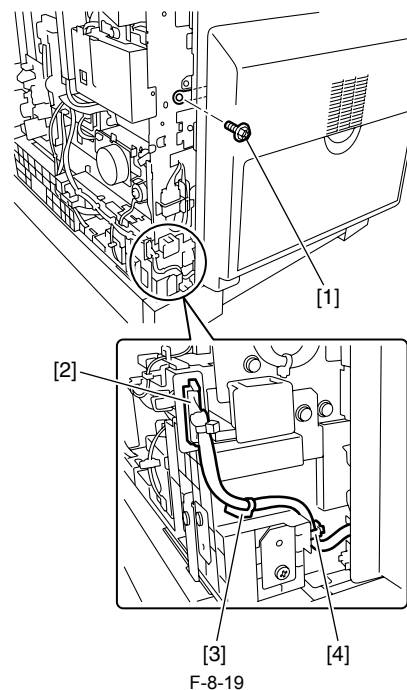
- 1) Remove the three screws [1], and then detach the left cover (rear).



### 8.4.2.4 Removing the Left Door

iR2016J / iR2016 / iR2020 / / iR2016i / iR2020i

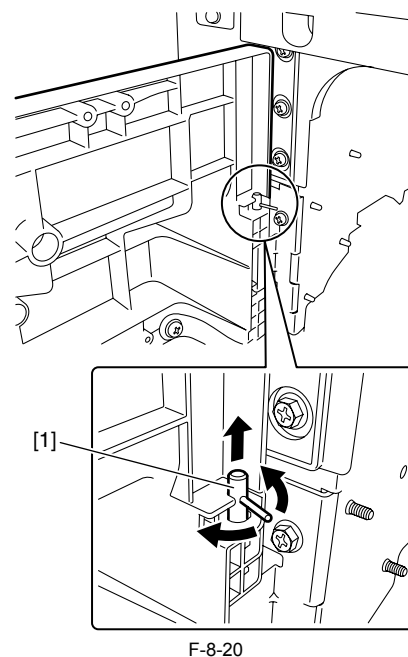
- 1) Remove the screw [1] securing the door support band. Remove the connector [2] and reusable band [3], and release the duplex unit harness from the wire saddle [4].



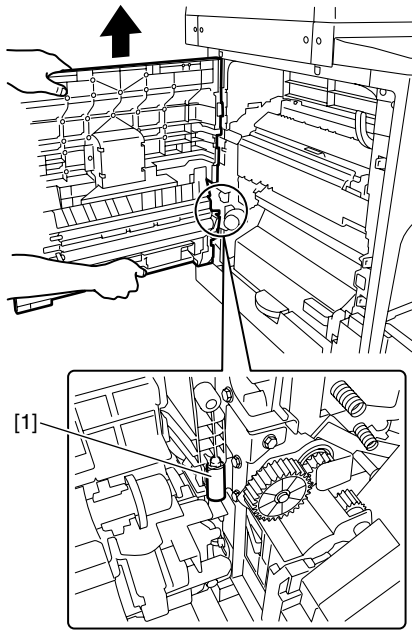
- 2) Open the left door until it sops and pull out the hinge shaft [1].

#### MEMO:

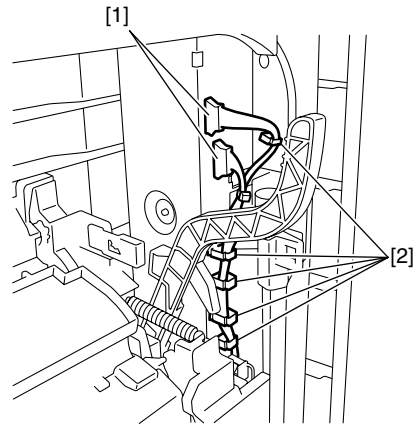
When a duplex unit (option) is installed, remove it before pulling out the hinge shaft for each access.



- 3) Lift the left door with both hands to release it from the door rotation shaft [1], and then remove the left door.



F-8-21



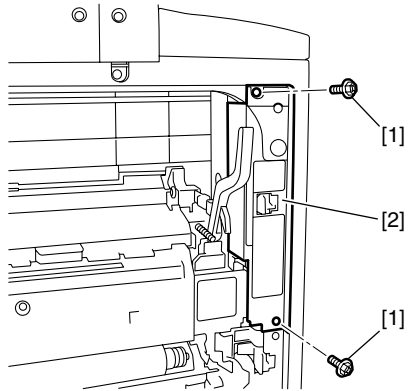
F-8-24

- 4) Raise the delivery upper guide [1]. Remove the three screws [2], and then remove the fixing unit [3].

### 8.4.2.5 Removing the Fixing Unit

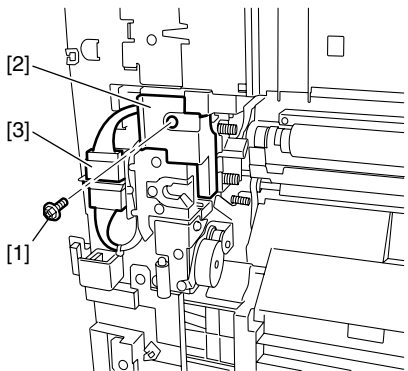
iR2016J / iR2016 / iR2020 / / iR2016i / iR2020i

- 1) Remove the two screws [1], and then detach the inner cover [2] at the upper front.



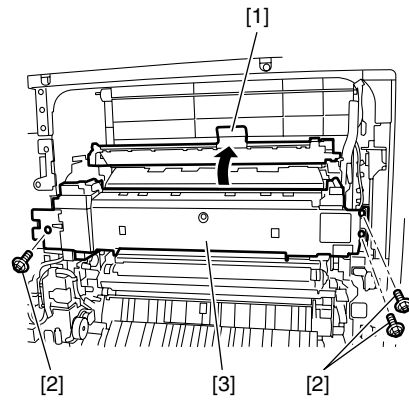
F-8-22

- 2) Remove the screw [1], and then detach the heater harness cover [2]. Disconnect the connector [3].



F-8-23

- 3) Disconnect the two connectors [1], and then release the fixing unit harness from the wire saddle [2].

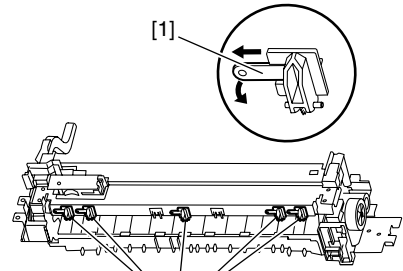


F-8-25

### 8.4.2.6 Removing the Fixing Film Unit

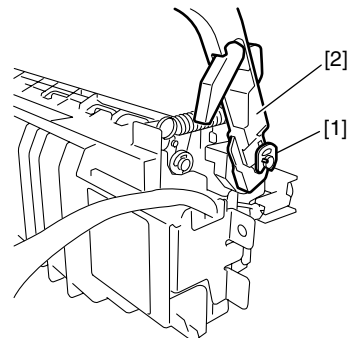
iR2016J / iR2016 / iR2020 / / iR2016i / iR2020i

- 1) Release the hooks [1], and then remove the spur unit [2] by sliding it.



F-8-26

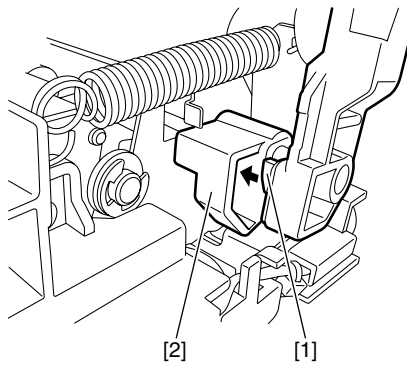
- 2) Remove the resin ring [1], and then remove the fixing pressure release lever [2].



F-8-27

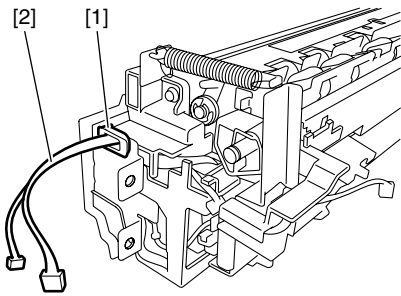


When installing the fixing pressure release lever, check that the rib [1] of the lever is inside the pressure block [2].



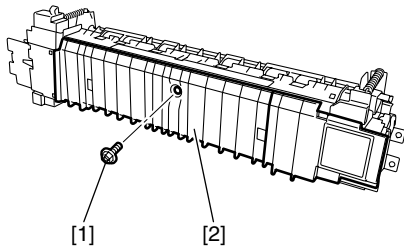
F-8-28

3) Release the fixing unit harness [2] from the wire saddle [1].



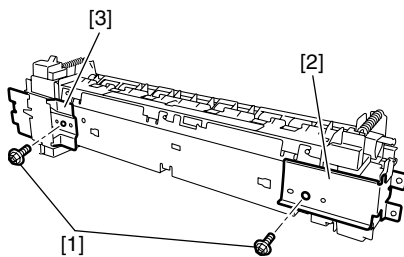
F-8-29

4) Remove the screw [1], and then remove the fixing paper guide [2].



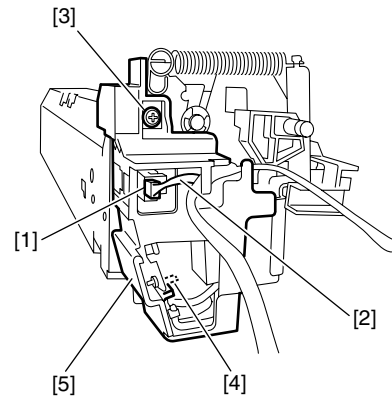
F-8-30

5) Remove the two screws [1], and then remove the right side stay [1] and left side stay [2].



F-8-31

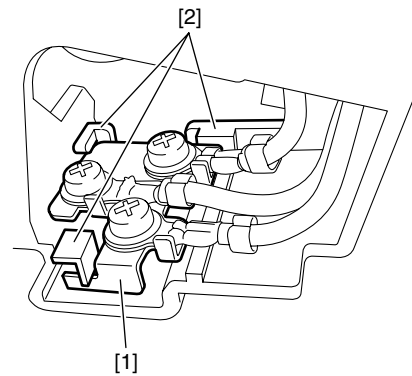
6) Disconnect the connector [1], and then disconnect the sensor harness [2]. Remove the screw [3], release the hook [4], and then remove the sensor holder [5].



F-8-32

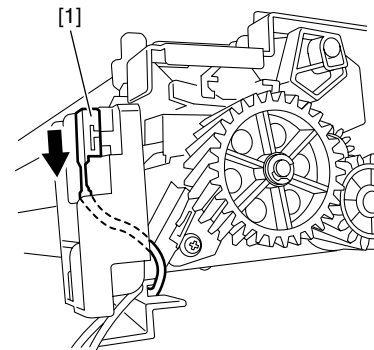


When installing the electrode plate [1], place it under the three claws [2] as shown below.



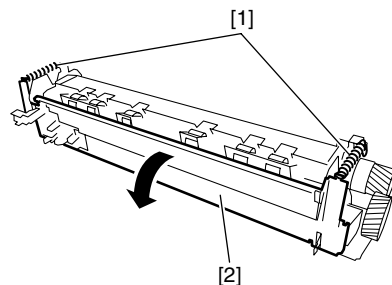
F-8-33

7) Remove the ground cable [1] from the holder, and then free the fixing unit AC harness.



F-8-34

8) Remove the two pressure springs [1], remove the pressure plate by turning it in the direction of the arrow.

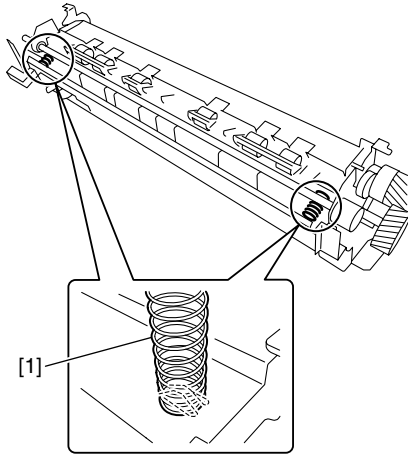


F-8-35

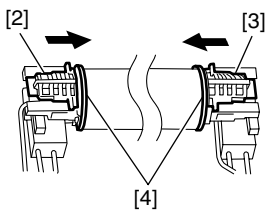


- When installing the pressure plate, check that the inner springs [1] are fit in place as shown below.  
 - When reinstalling the pressure plate, check that the spacer (F) [2] and

spacer (R) [3] are pressed against the rib [4] of the flange cap.

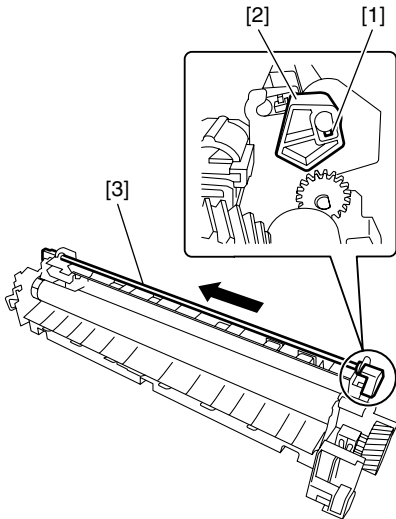


F-8-36



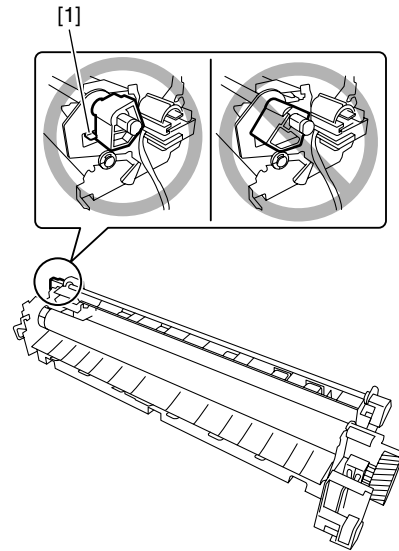
F-8-37

9) Release the claw [1] of the pressure cam, remove the pressure cam [2] from the pressure shaft, and then pull out the pressure shaft [3] in the direction of the arrow.



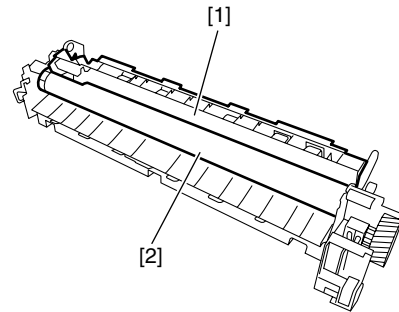
F-8-38

**⚠** When installing the pressure cam, position it inside the bent portion [1] of the side plate as shown below.



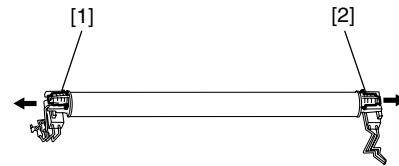
F-8-39

10) Remove the delivery roller unit [1], and then remove the fixing film unit [2].



F-8-40

11) Remove the spacer (F) [1] and spacer (R) [2] by sliding them.

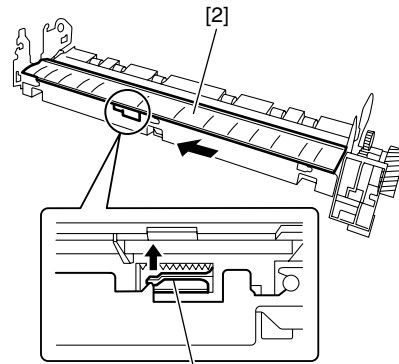


F-8-41

### 8.4.2.7 Removing the Pressure Roller

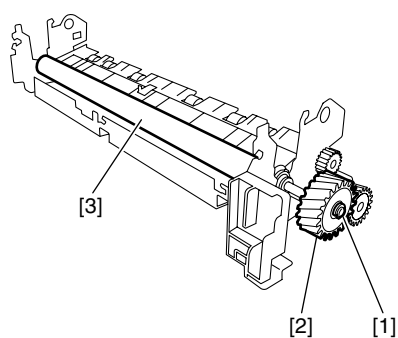
iR2016J / iR2016 / iR2020 / iR2016i / iR2020i

1) Raise the claw [1] of the fixing unit inlet guide, and remove the slide fixing unit inlet guide [2] by sliding it in the direction of the arrow.



F-8-42

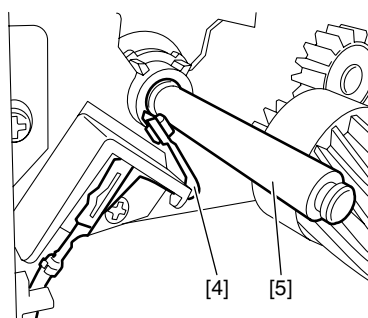
2) Remove the E-ring [1] and gear [2], and then remove the pressure roller [3].



F-8-43



When installing the pressure roller, bring the ground plate [4] into contact with the roller shaft [5].



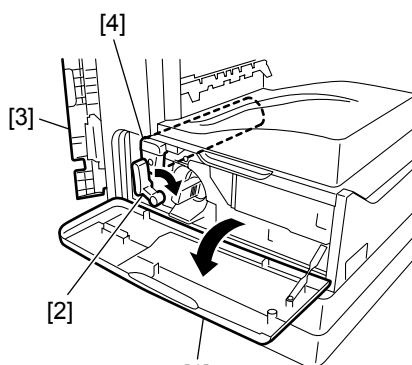
F-8-44

### 8.4.3 Fixing Film

#### 8.4.3.1 Removing the Drum Unit

iR2016J / iR2016 / iR2020 / / iR2016i / iR2020i

- 1) Open the front cover [1].
- 2) Turn the developing assembly locking lever [2] clockwise to open the left door [3].
- 3) Draw out the drum unit [4].



F-8-45

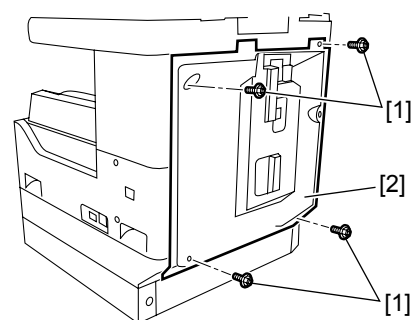


- When attaching or detaching the drum unit, open the left door fully to prevent the damage to the drum unit.  
 - To prevent exposure of the drum, cover the drum unit with a few sheets of paper and place it in a safe place.

#### 8.4.3.2 Removing the rear cover

iR2016J / iR2016 / iR2020 / / iR2016i / iR2020i

- 1) Remove the four screws [1], and then detach the rear cover [2].

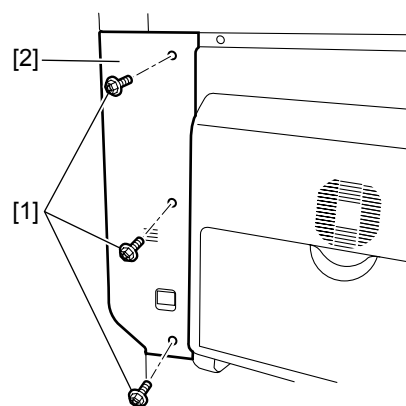


F-8-46

#### 8.4.3.3 Removing the Left Cover (Rear)

iR2016J / iR2016 / iR2020 / / iR2016i / iR2020i

- 1) Remove the three screws [1], and then detach the left cover (rear).

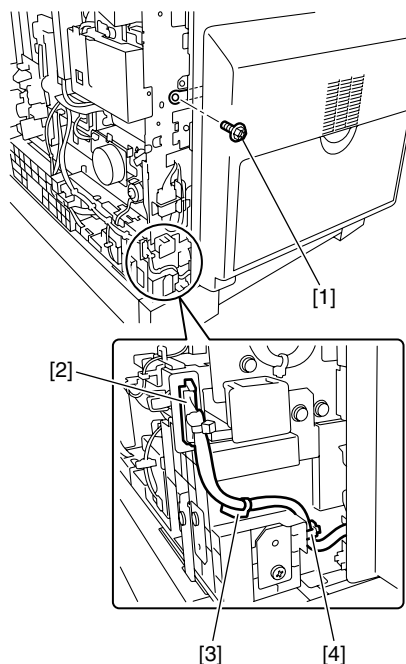


F-8-47

#### 8.4.3.4 Removing the Left Door

iR2016J / iR2016 / iR2020 / / iR2016i / iR2020i

- 1) Remove the screw [1] securing the door support band. Remove the connector [2] and reusable band [3], and release the duplex unit harness from the wire saddle [4].

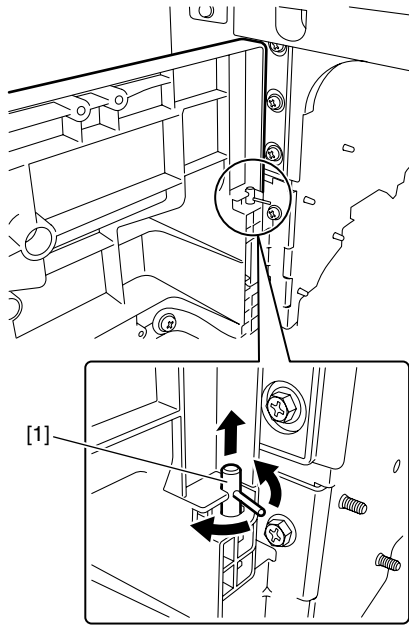


F-8-48

- 2) Open the left door until it sops and pull out the hinge shaft [1].

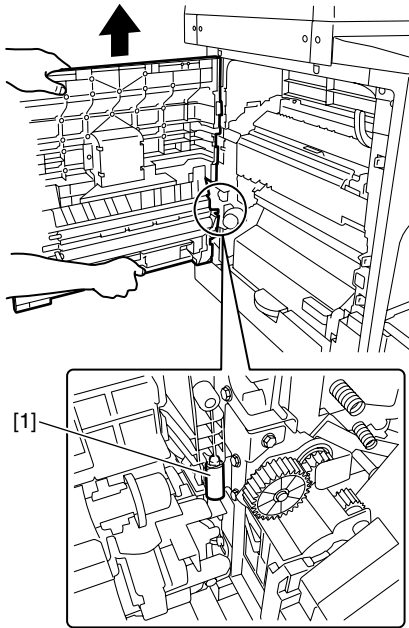
#### MEMO:

When a duplex unit (option) is installed, remove it before pulling out the hinge shaft for each access.



F-8-49

- 3) Lift the left door with both hands to release it from the door rotation shaft [1], and then remove the left door.

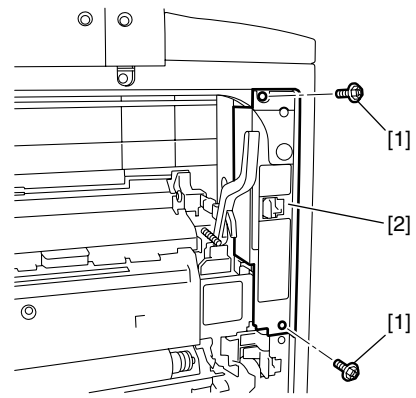


F-8-50

### 8.4.3.5 Removing the Fixing Unit

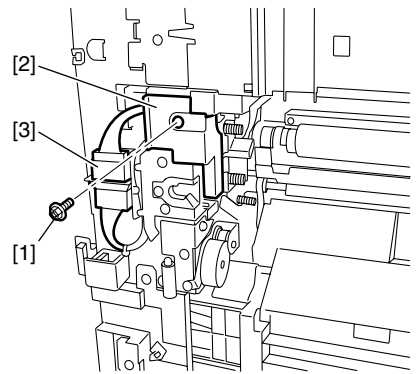
iR2016J / iR2016 / iR2020 / / iR2016i / iR2020i

- 1) Remove the two screws [1], and then detach the inner cover [2] at the upper front.



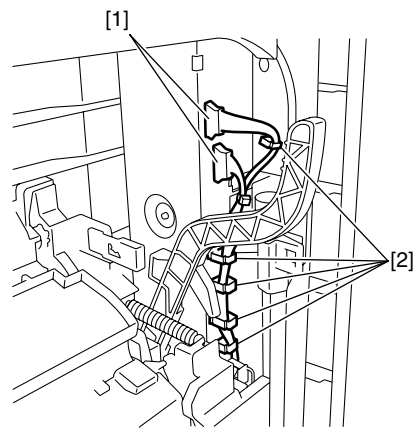
F-8-51

- 2) Remove the screw [1], and then detach the heater harness cover [2]. Disconnect the connector [3].



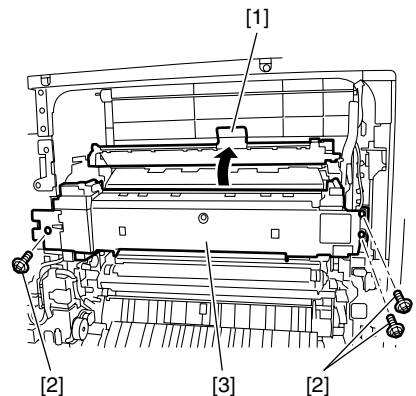
F-8-52

- 3) Disconnect the two connectors [1], and then release the fixing unit harness from the wire saddle [2].



F-8-53

- 4) Raise the delivery upper guide [1]. Remove the three screws [2], and then remove the fixing unit [3].



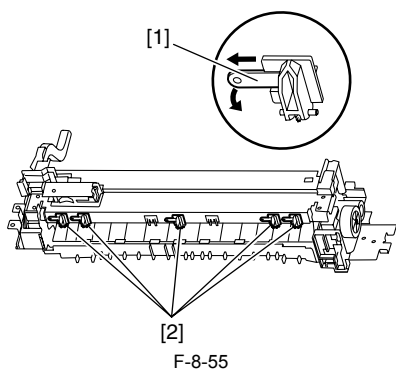
F-8-54



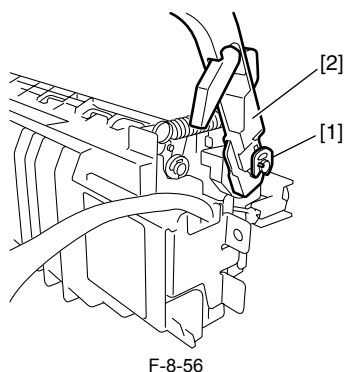
### 8.4.3.6 Removing the Fixing Film Unit

iR2016J / iR2016 / iR2020 / / iR2016i / iR2020i

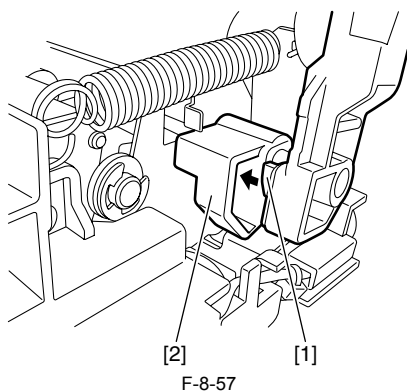
1) Release the hooks [1], and then remove the spur unit [2] by sliding it.



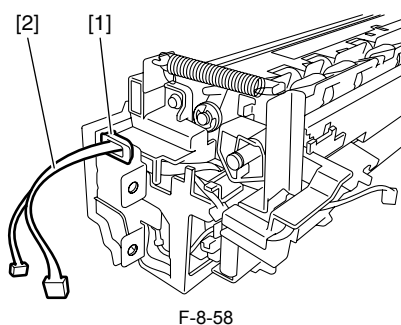
2) Remove the resin ring [1], and then remove the fixing pressure release lever [2].



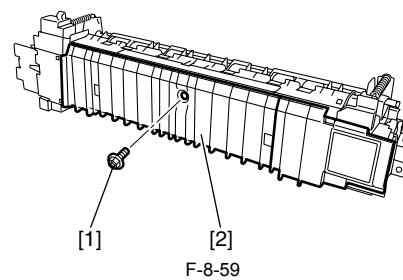
When installing the fixing pressure release lever, check that the rib [1] of the lever is inside the pressure block [2].



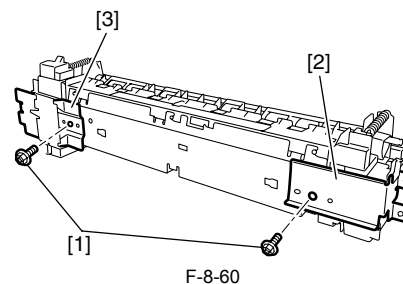
3) Release the fixing unit harness [2] from the wire saddle [1].



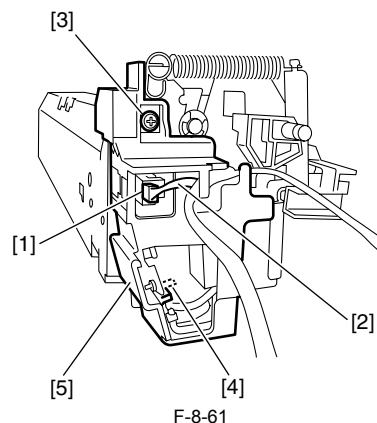
4) Remove the screw [1], and then remove the fixing paper guide [2].



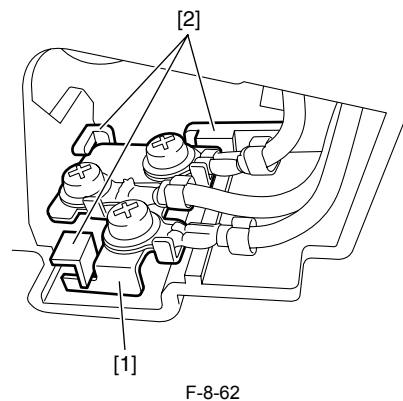
5) Remove the two screws [1], and then remove the right side stay [1] and left side stay [2].



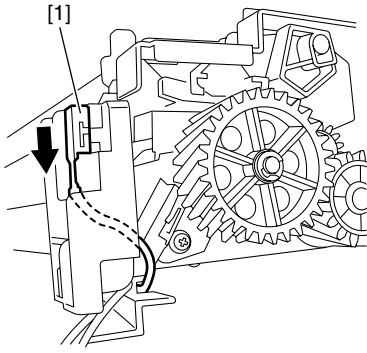
6) Disconnect the connector [1], and then disconnect the sensor harness [2]. Remove the screw [3], release the hook [4], and then remove the sensor holder [5].



When installing the electrode plate [1], place it under the three claws [2] as shown below.

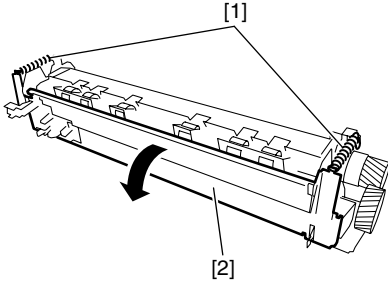


7) Remove the ground cable [1] from the holder, and then free the fixing unit AC harness.



F-8-63

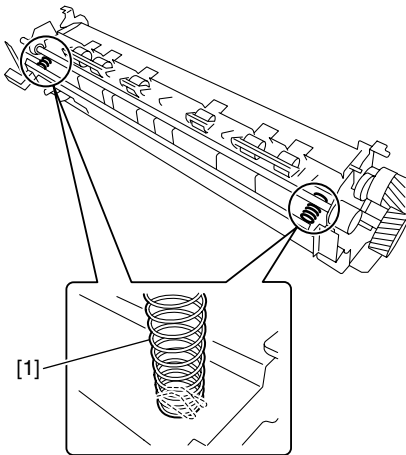
8) Remove the two pressure springs [1], remove the pressure plate by turning it in the direction of the arrow.



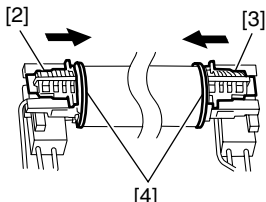
F-8-64



- When installing the pressure plate, check that the inner springs [1] are fit in place as shown below.
- When reinstalling the pressure plate, check that the spacer (F) [2] and spacer (R) [3] are pressed against the rib [4] of the flange cap.

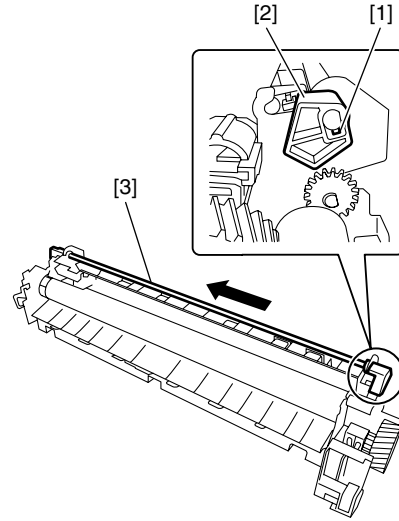


F-8-65



F-8-66

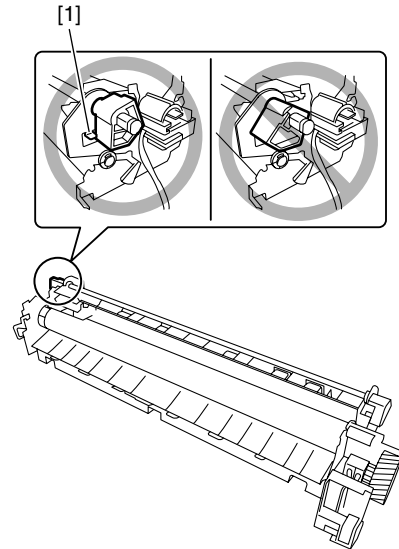
9) Release the claw [1] of the pressure cam, remove the pressure cam [2] from the pressure shaft, and then pull out the pressure shaft [3] in the direction of the arrow.



F-8-67

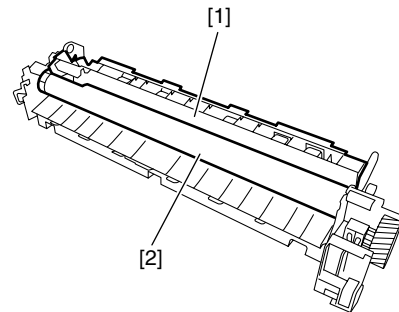


When installing the pressure cam, position it inside the bent portion [1] of the side plate as shown below.



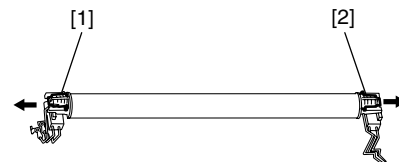
F-8-68

10) Remove the delivery roller unit [1], and then remove the fixing film unit [2].



F-8-69

11) Remove the spacer (F) [1] and spacer (R) [2] by sliding them.



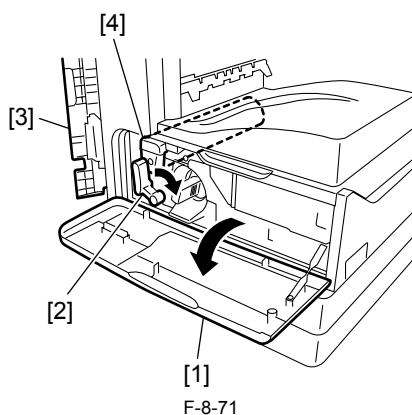
F-8-70

## 8.4.4 Fixing Delivery Sensor

### 8.4.4.1 Removing the Drum Unit

iR2016J / iR2016 / iR2020 / / iR2016i / iR2020i

- 1) Open the front cover [1].
- 2) Turn the developing assembly locking lever [2] clockwise to open the left door [3].
- 3) Draw out the drum unit [4].

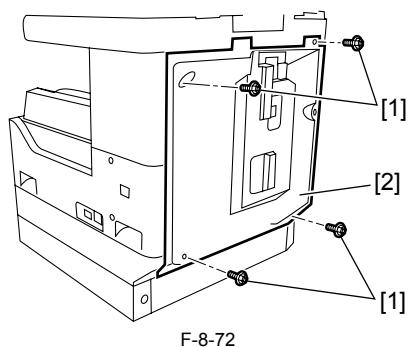


- When attaching or detaching the drum unit, open the left door fully to prevent the damage to the drum unit.
- To prevent exposure of the drum, cover the drum unit with a few sheets of paper and place it in a safe place.

### 8.4.4.2 Removing the Rear Cover

iR2016J / iR2016 / iR2020 / / iR2016i / iR2020i

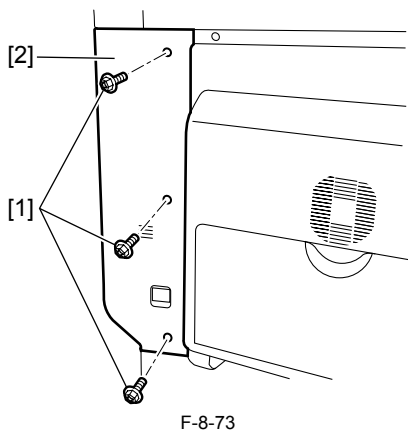
- 1) Remove the four screws [1], and then detach the rear cover [2].



### 8.4.4.3 Removing the Left Cover (Rear)

iR2016J / iR2016 / iR2020 / / iR2016i / iR2020i

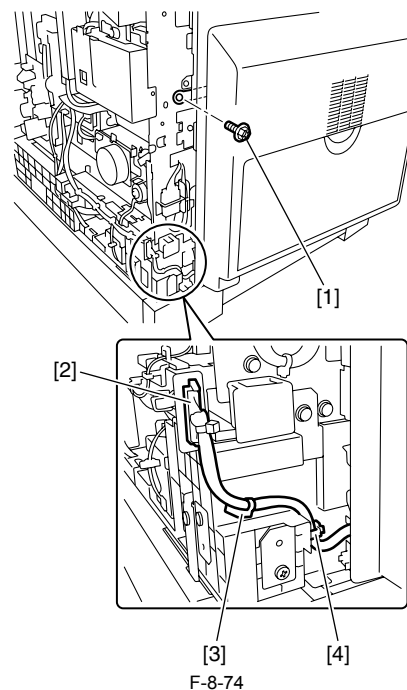
- 1) Remove the three screws [1], and then detach the left cover (rear).



### 8.4.4.4 Removing the Left Door

iR2016J / iR2016 / iR2020 / / iR2016i / iR2020i

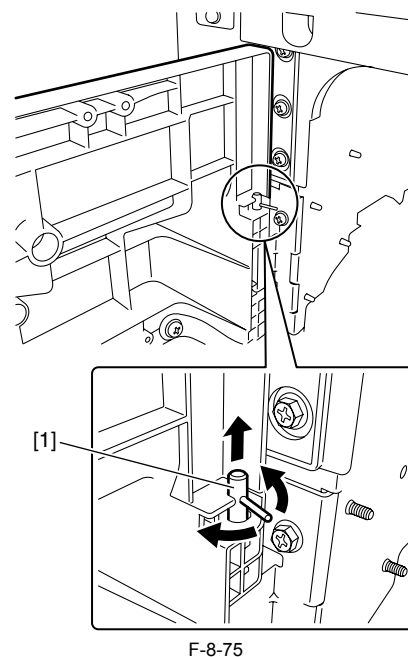
- 1) Remove the screw [1] securing the door support band. Remove the connector [2] and reusable band [3], and release the duplex unit harness from the wire saddle [4].



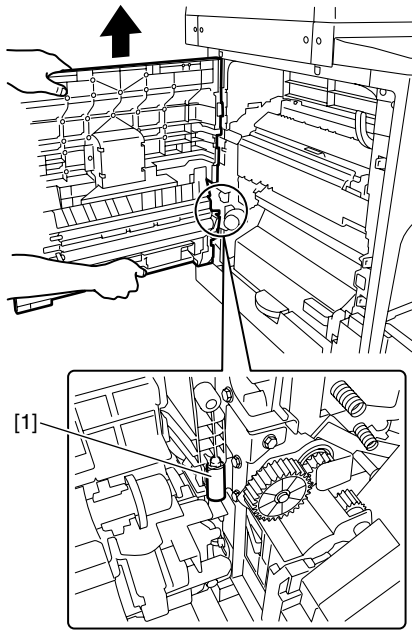
- 2) Open the left door until it stops and pull out the hinge shaft [1].

#### MEMO:

When a duplex unit (option) is installed, remove it before pulling out the hinge shaft for each access.



- 3) Lift the left door with both hands to release it from the door rotation shaft [1], and then remove the left door.

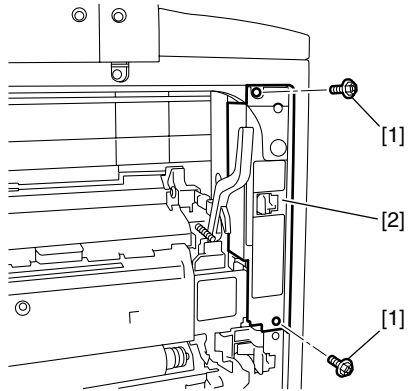


F-8-76

#### 8.4.4.5 Removing the Fixing Unit

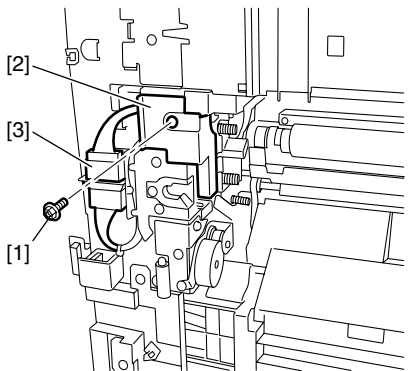
iR2016J / iR2016 / iR2020 / / iR2016i / iR2020i

- 1) Remove the two screws [1], and then detach the inner cover [2] at the upper front.



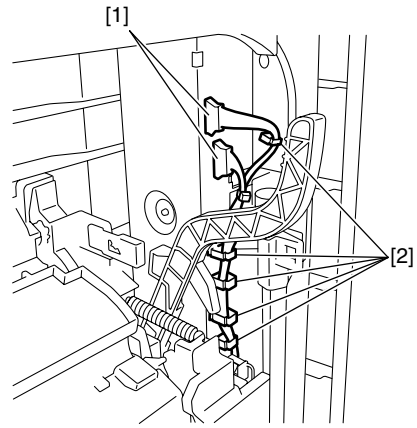
F-8-77

- 2) Remove the screw [1], and then detach the heater harness cover [2]. Disconnect the connector [3].



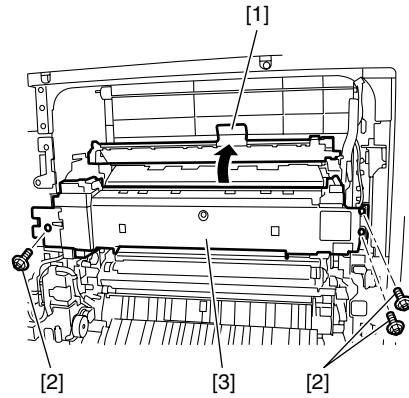
F-8-78

- 3) Disconnect the two connectors [1], and then release the fixing unit harness from the wire saddle [2].



F-8-79

- 4) Raise the delivery upper guide [1]. Remove the three screws [2], and then remove the fixing unit [3].

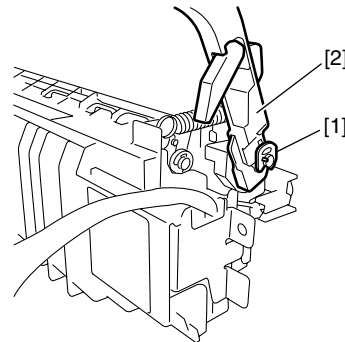


F-8-80

#### 8.4.4.6 Removing the Fixing Delivery Sensor

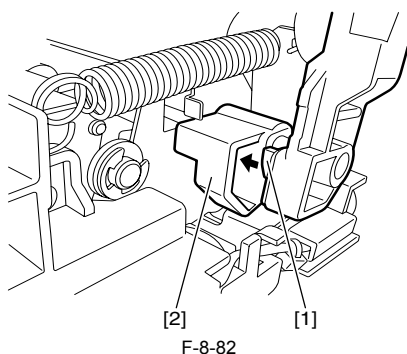
iR2016J / iR2016 / iR2020 / / iR2016i / iR2020i

- 1) Remove the resin ring [1], and then remove the fixing pressure release lever [2].



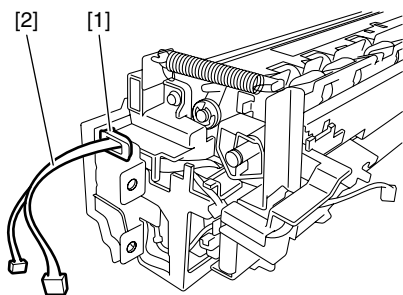
F-8-81

**!** When installing the fixing pressure release lever, check that the rib [1] of the lever is inside the pressure block [2].



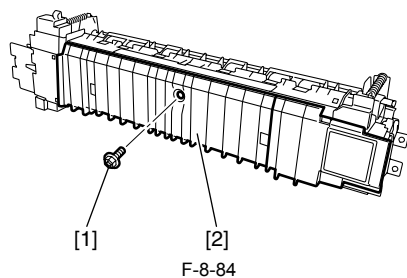
F-8-82

- 2) Remove the fixing unit harness [2] from the wire saddle [1] and harness guide.



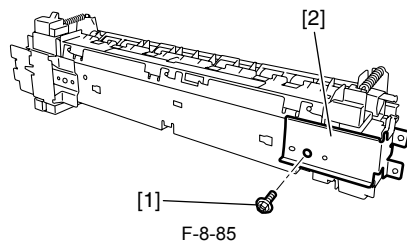
F-8-83

- 3) Remove the screw [1], and then remove the fixing paper guide [2].



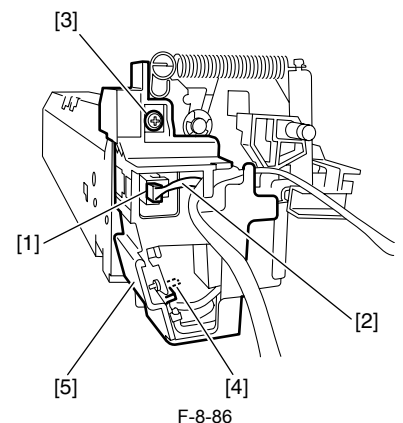
F-8-84

- 4) Remove the screw [1], and then remove the right side stay [2].



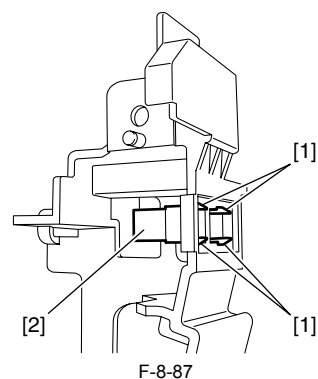
F-8-85

- 5) Remove the connector [1], and then remove the sensor harness [2]. Remove the screw [3], release the hook [4], and then remove the sensor holder [5].



F-8-86

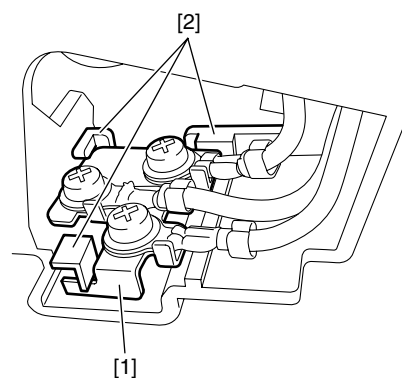
- 6) Release the four sensor claws [1], and then remove the fixing delivery sensor [2].



F-8-87



When installing the sensor holder, place the electrode plate [1] under the three claws.



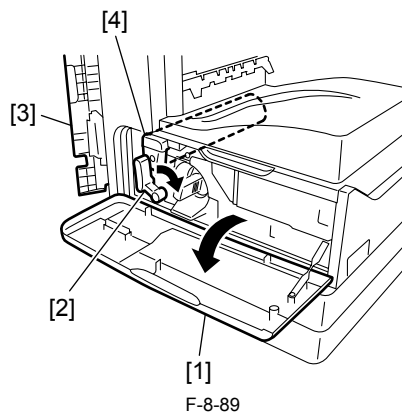
F-8-88

## 8.4.5 Fixing Film Sensor

### 8.4.5.1 Removing the Drum Unit

iR2016J / iR2016 / iR2020 / / iR2016i / iR2020i

- 1) Open the front cover [1].
- 2) Turn the developing assembly locking lever [2] clockwise to open the left door [3].
- 3) Draw out the drum unit [4].



F-8-89

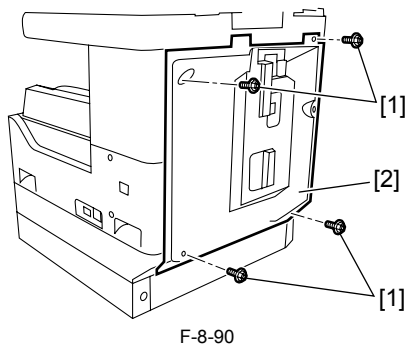


- When attaching or detaching the drum unit, open the left door fully to prevent the damage to the drum unit.  
- To prevent exposure of the drum, cover the drum unit with a few sheets of paper and place it in a safe place.

### 8.4.5.2 Removing the Rear Cover

iR2016J / iR2016 / iR2020 / / iR2016i / iR2020i

- 1) Remove the four screws [1], and then detach the rear cover [2].

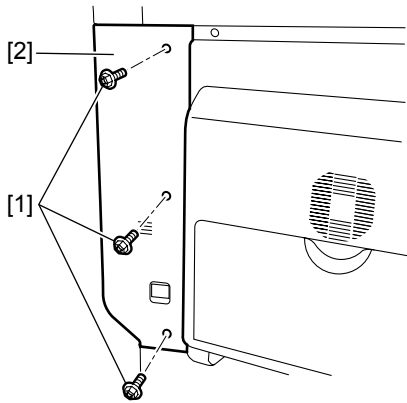


F-8-90

### 8.4.5.3 Removing the Left Cover (Rear)

iR2016J / iR2016 / iR2020 / / iR2016i / iR2020i

1) Remove the three screws [1], and then detach the left cover (rear).

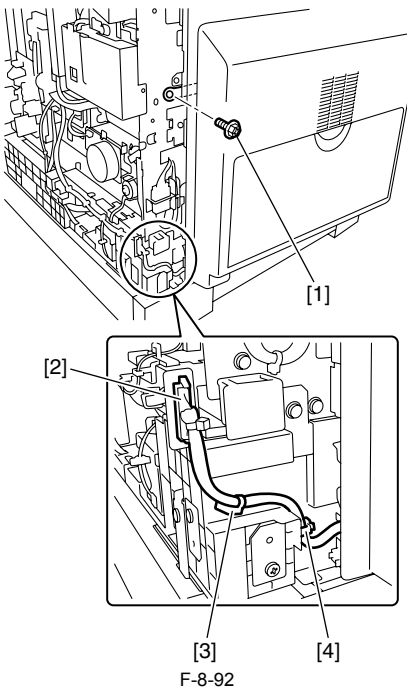


F-8-91

### 8.4.5.4 Removing the Left Door

iR2016J / iR2016 / iR2020 / / iR2016i / iR2020i

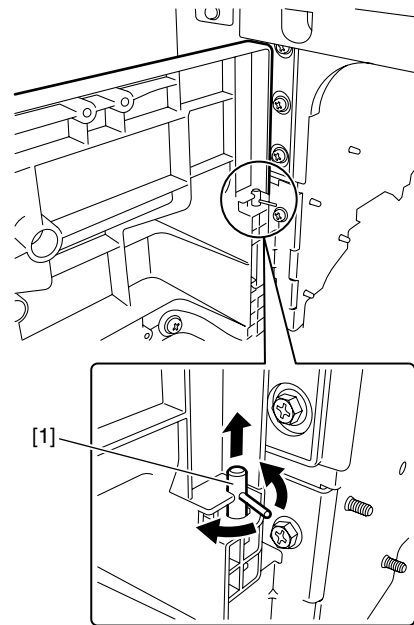
1) Remove the screw [1] securing the door support band. Remove the connector [2] and reusable band [3], and release the duplex unit harness from the wire saddle [4].



F-8-92

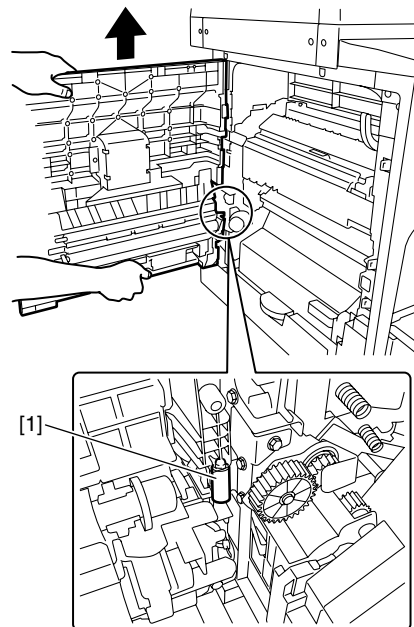
2) Open the left door until it sops and pull out the hinge shaft [1].

MEMO:  
When a duplex unit (option) is installed, remove it before pulling out the hinge shaft for each access.



F-8-93

3) Lift the left door with both hands to release it from the door rotation shaft [1], and then remove the left door.



F-8-94

### 8.4.5.5 Removing the Fixing Unit

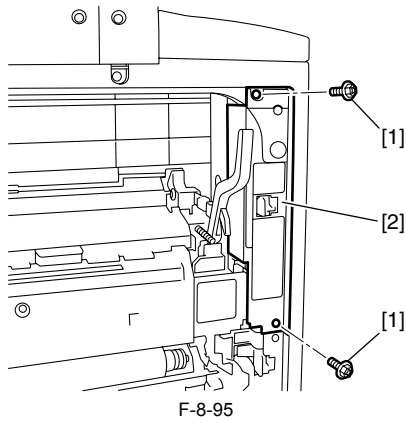
iR2016J / iR2016 / iR2020 / / iR2016i / iR2020i

1) Remove the two screws [1], and then detach the inner cover [2] at the upper front.

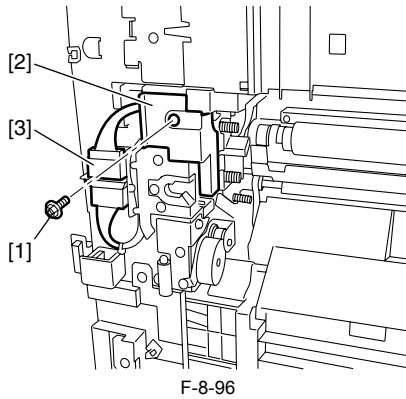
### 8.4.5.6 Removing the Fixing Film Sensor

iR2016J / iR2016 / iR2020 / / iR2016i / iR2020i

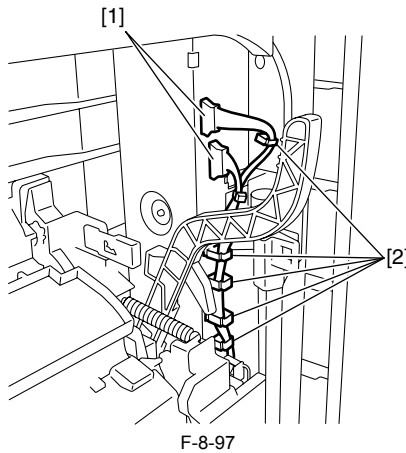
- 1) Disconnect the connector [1], release the two hooks [2], and then remove the film sensor [3].



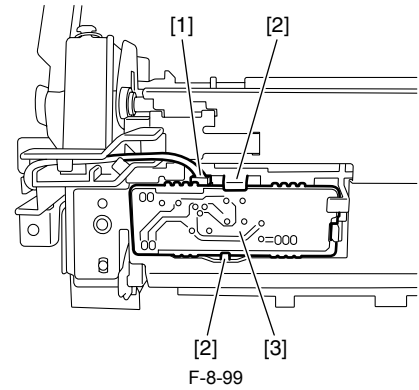
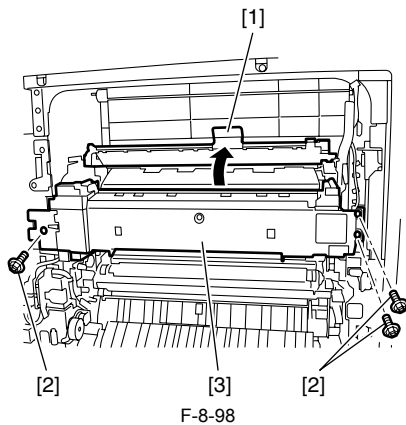
- 2) Remove the screw [1], and then detach the heater harness cover [2]. Disconnect the connector [3].



- 3) Disconnect the two connectors [1], and then release the fixing unit harness from the wire saddle [2].



- 4) Raise the delivery upper guide [1]. Remove the three screws [2], and then remove the fixing unit [3].







---

## Chapter 9 External and Controls

---



# Contents

9.1 Control Panel.....	9-1
9.1.1 Overview (iR2020/iR2020J/iR2016/iR2016J).....	9-1
9.1.2 Overview (iR2020i/iR2016i).....	9-1
9.2 Fans.....	9-1
9.2.1 Overview (iR2020/iR2020J/iR2016/iR2016J).....	9-1
9.2.2 Overview (iR2020i/iR2016i).....	9-2
9.2.3 Fan Control.....	9-2
9.3 Power Supply System.....	9-3
9.3.1 Power Supply.....	9-3
9.3.1.1 Outline (iR2020/iR2020J/iR2016/iR2016J).....	9-3
9.3.1.2 Outline (iR2020i/iR2016i).....	9-3
9.3.1.3 Rated Output of the Power Supply PCB.....	9-4
9.3.2 Protection Function.....	9-4
9.3.2.1 Protective Mechanisms.....	9-4
9.4 Parts Replacement Procedure.....	9-5
9.4.1 Main Drive Assembly.....	9-5
9.4.1.1 Removing the Drum Unit.....	9-5
9.4.1.2 Removing the Rear Cover.....	9-5
9.4.1.3 Removing the Left Cover (Rear).....	9-5
9.4.1.4 Removing the Main Motor.....	9-5
9.4.1.5 Removing the Registration Clutch.....	9-5
9.4.1.6 Removing the Main Drive Unit.....	9-5
9.4.2 Fixing Drive Assembly.....	9-6
9.4.2.1 Removing the Drum Unit.....	9-6
9.4.2.2 Removing the Rear Cover.....	9-7
9.4.2.3 Removing the Left Cover (Rear).....	9-7
9.4.2.4 Removing the Left Door.....	9-7
9.4.2.5 Removing the Fixing Unit.....	9-8
9.4.2.6 Removing the SDRAM.....	9-8
9.4.2.7 Removing the SDRAM.....	9-8
9.4.2.8 Removing the LAN Cover.....	9-9
9.4.2.9 Removing the IP Cover.....	9-9
9.4.2.10 Removing the IP Cover.....	9-10
9.4.2.11 Removing the Image Processor PCB Mount.....	9-10
9.4.2.12 Removing the Fixing Drive Unit.....	9-11
9.4.3 Power Supply Unit.....	9-12
9.4.3.1 Removing the Rear Cover.....	9-12
9.4.3.2 Removing the Right Cover (Lower).....	9-12
9.4.3.3 Removing the Delivery Tray.....	9-12
9.4.3.4 Removing the Main Power Supply PCB.....	9-12
9.4.4 Control Panel.....	9-12
9.4.4.1 Removing the Reader Front Cover.....	9-12
9.4.4.2 Removing the Operation Panel Unit (iR2020/iR2020J/iR2016/iR2016J).....	9-13
9.4.4.3 Removing the Operation Panel Unit (iR2020i/iR2016i).....	9-13
9.4.5 DC Controller PCB.....	9-13
9.4.5.1 Removing the Rear Cover.....	9-13
9.4.5.2 Removing the DC Controller PCB.....	9-13
9.4.6 Option Power Supply PCB.....	9-14
9.4.6.1 Removing the Rear Cover.....	9-14
9.4.6.2 Removing the Right Cover (Lower).....	9-14
9.4.6.3 Removing the Delivery Tray.....	9-14
9.4.6.4 Removing the Option Power Supply PCB.....	9-14
9.4.7 HVT PCB.....	9-14

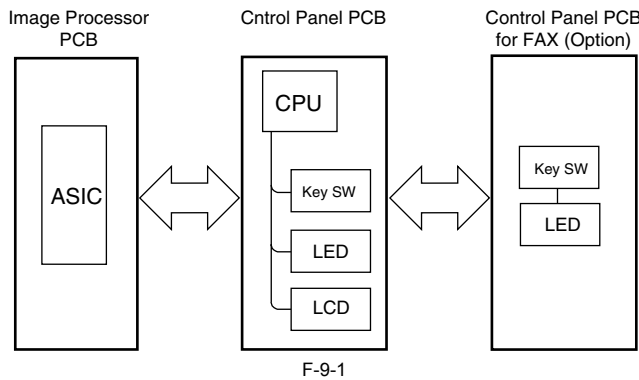
9.4.7.1 Removing the Rear Cover .....	9-14
9.4.7.2 Removing the Right Cover (Lower) .....	9-15
9.4.7.3 Removing the Delivery Tray .....	9-15
9.4.7.4 Removing the Main Power Supply PCB .....	9-15
9.4.7.5 Removing the HVT PCB .....	9-15
9.4.8 Fixing Heat Discharge Fan .....	9-15
9.4.8.1 Removing the Fixing Heat Discharge Fan .....	9-15
9.4.9 Fan Filter .....	9-16
9.4.9.1 Removing the Fan Filter .....	9-16
9.4.10 Motor of Main Drive Assembly .....	9-17
9.4.10.1 Removing the Rear Cover .....	9-17
9.4.10.2 Removing the Main Motor .....	9-17
9.4.11 Fixing Driver Motor .....	9-17
9.4.11.1 Removing the Rear Cover .....	9-17
9.4.11.2 Removing the Left Cover (Rear) .....	9-17
9.4.11.3 Removing the RAM Cover .....	9-17
9.4.11.4 Removing the SDRAM .....	9-18
9.4.11.5 Removing the LAN Cover .....	9-18
9.4.11.6 Removing the IP Cover .....	9-18
9.4.11.7 Removing the IP Cover .....	9-19
9.4.11.8 Removing the Image Processor PCB Mount .....	9-19
9.4.11.9 Removing the Fixing Unit Drive Motor .....	9-20
9.4.12 Left Door .....	9-20
9.4.12.1 Removing the Drum Unit .....	9-20
9.4.12.2 Removing the Rear Cover .....	9-21
9.4.12.3 Removing the Left Cover (Rear) .....	9-21
9.4.12.4 Removing the Left Door .....	9-21

## 9.1 Control Panel

### 9.1.1 Overview (iR2020/iR2020J/iR2016/iR2016J)

iR2016J / iR2016 / iR2020 /

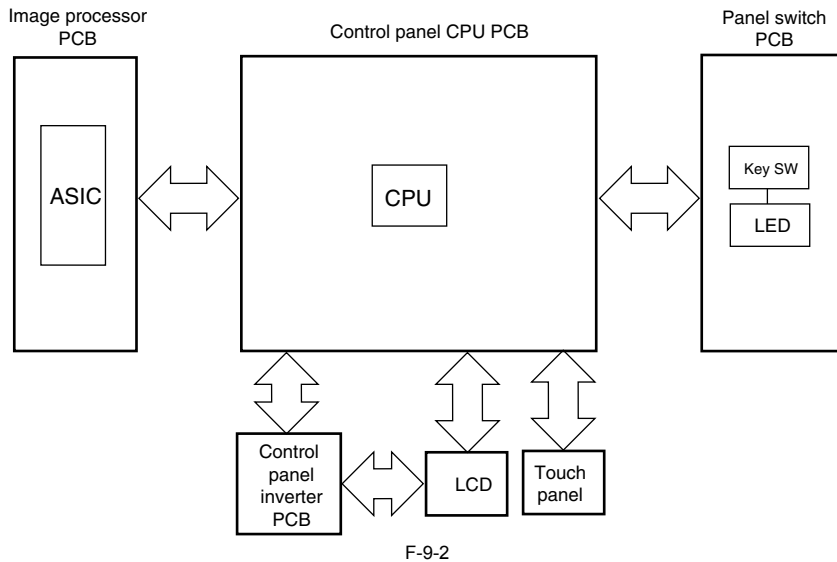
The machine's control panel consists of the following PCBs, and is controlled by the ASIC of the image processor PCB. The indication on the LCD is in 2 lines (120 x 24 dots).



### 9.1.2 Overview (iR2020i/iR2016i)

iR2016i / iR2020i

The machine's control panel consists of the following PCBs, and is controlled by the ASIC of the image processor PCB.

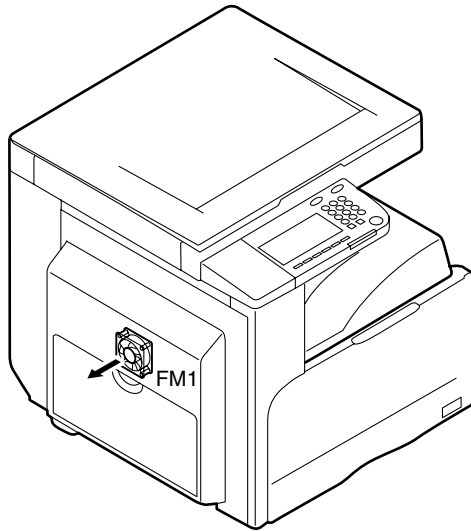


## 9.2 Fans

### 9.2.1 Overview (iR2020/iR2020J/iR2016/iR2016J)

iR2016J / iR2016 / iR2020 /

This machine is provided with a fan to cool the fixing unit.

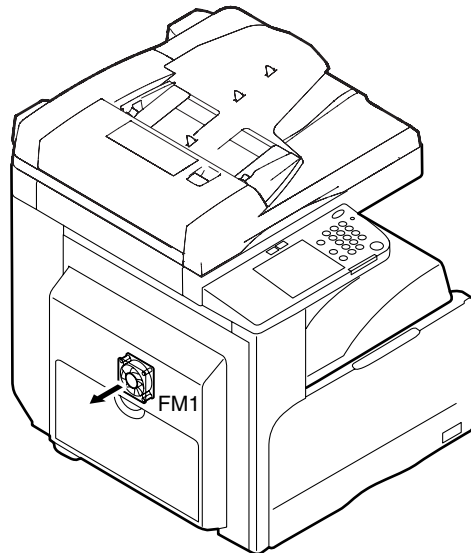


F-9-3

**9.2.2 Overview (iR2020i/iR2016i)**

iR2016i / iR2020i

This machine is provided with a fan to cool the fixing unit.

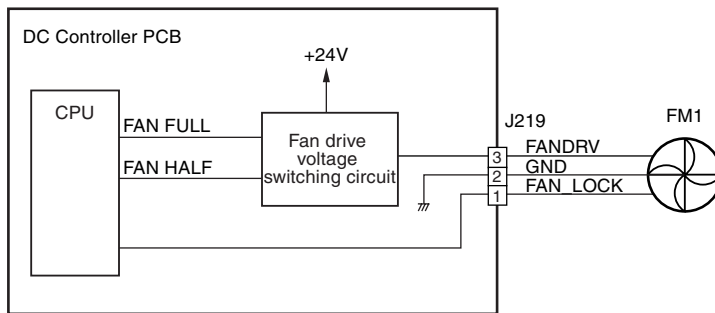


F-9-4

**9.2.3 Fan Control**

iR2016J / iR2016 / iR2020 / / iR2016i / iR2020i

The fan motor control circuit is shown below.



F-9-5

Switching between full-speed rotation and half-speed rotation is controlled as described below.

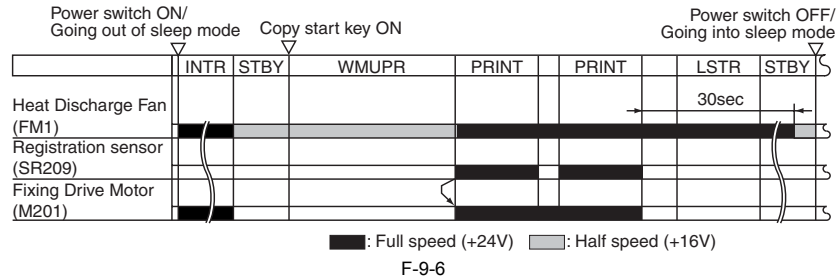
1) Full-speed control

When the CPU on the DC controller outputs a fan full speed signal (FAN\_FULL), the fan drive voltage switching circuit supplies a +24 V fan drive voltage to turn the heat exhaust fan at the full speed.

2) Half-speed control

When the CPU on the engine controller outputs a fan half speed signal (FAN\_HALF), the fan drive voltage switching circuit supplies a +16 V fan drive voltage to turn the heat exhaust fan at the half speed.

Fan Control Sequence



**E805-0000 (Main body fan error)**

When the cooling fan of the main body starts, the fan lock detection signal (FAN\_LOCK) has been held at the "H" level for longer than the prescribed time.

9.3 Power Supply System

9.3.1 Power Supply

9.3.1.1 Outline (iR2020/iR2020J/iR2016/iR2016J)

iR2016J / iR2016 / iR2020 /

When the main power switch (SW1) is turned on, AC power is supplied to the low-voltage power supply circuit in the power supply PCB.

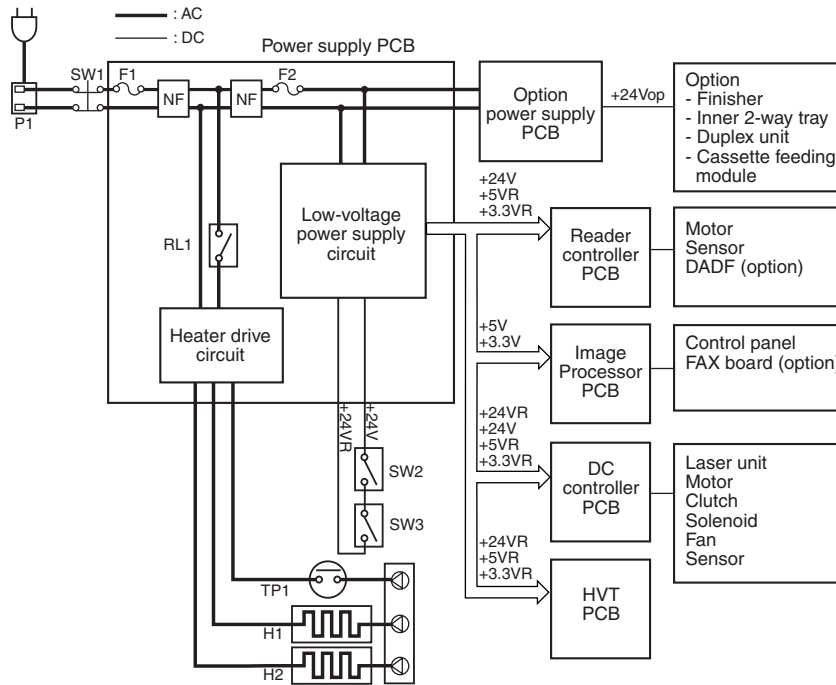
The low-voltage power supply circuit supplies +3.3 V, +5 V, and +24 V to operate the machine.

+24 V is supplied to the motors, fan, electromagnetic clutch, solenoid, etc. +5 V and +3.3 V are supplied to the sensor, etc.

There are two types of +24 V voltages: +24 V which is normally supplied from the low voltage power supply and +24 VR which is cut off when the front cover or the left door is opened. The +24 VR also plays the role of a door open detection signal (DOPEN). This signal allows the CPU to detect that the front cover or the left door has opened.

T-9-1

Part Name	Function
Power supply PCB	Generates DC power from AC power.
Option power supply PCB (option)	Generates DC power from AC power for the options.
Main power switch (SW1)	Supplies AC power to the power supply PCB.
Front cover switch (SW2)	Detects opening/closing of the front cover and cuts off +24 VR.
Left door switch (SW3)	Detects opening/closing of the left door and cuts off +24 VR.



9.3.1.2 Outline (iR2020i/iR2016i)

iR2016i / iR2020i

When the main power switch (SW1) is turned on, AC power is supplied to the low-voltage power supply circuit in the power supply PCB.

The low-voltage power supply circuit supplies +3.3 V, +5 V, and +24 V to operate the machine.

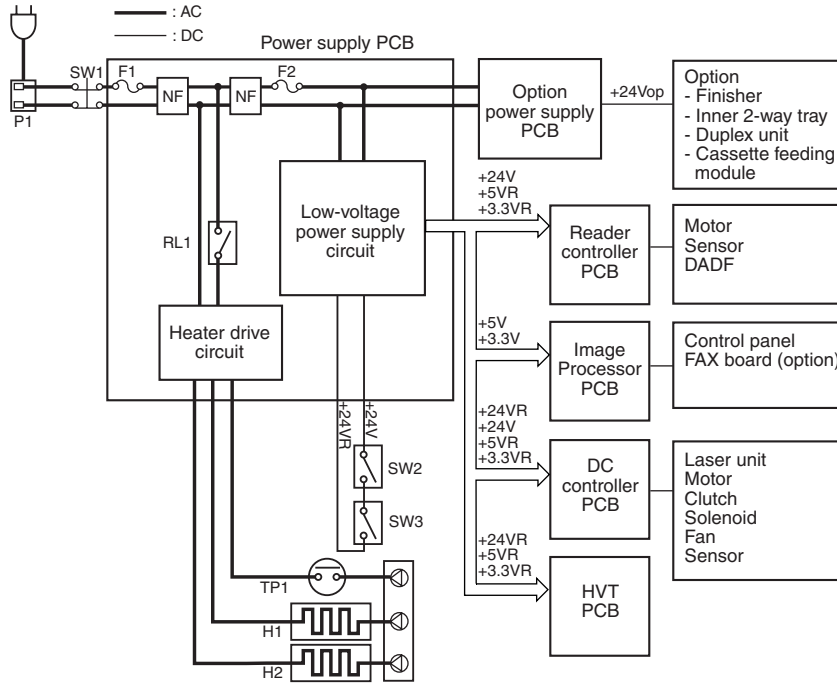
+24 V is supplied to the motors, fan, electromagnetic clutch, solenoid, etc. +5 V and +3.3 V are supplied to the sensor, etc.

There are two types of +24 V voltages: +24 V which is normally supplied from the low voltage power supply and +24 VR which is cut off when the front cover or the left door is opened. The +24 VR also plays the role of a door open detection signal (DOPEN). This signal allows the CPU to detect that the front cover or the left door has opened.

left door has opened.

T-9-2

Part Name	Function
Power supply PCB	Generates DC power from AC power.
Option power supply PCB (option)	Generates DC power from AC power for the options.
Main power switch (SW1)	Supplies AC power to the power supply PCB.
Front cover switch (SW2)	Detects opening/closing of the front cover and cuts off +24 VR.
Left door switch (SW3)	Detects opening/closing of the left door and cuts off +24 VR.



F-9-8

### 9.3.1.3 Rated Output of the Power Supply PCB

iR2016J / iR2016 / iR2020 / / iR2016i / iR2020i

T-9-3

Output	24V	5V	5VR	3.3V	3.3VR
Rated output voltage	24V	5.1V	5.1V	3.4V	3.4V
Output voltage tolerance	+10%ÅÅ-5%	+3%ÅÅ-4%	+3%ÅÅ-4%	+3%ÅÅ-3%	+3%ÅÅ-3%
Rated output current	5.5A	1.0A	2.0A	2.5A	1.0A
Overcurrent protection trigger current	8.0A	2.5A	4.0A	5.0A	2.0A
Overvoltage protection trigger voltage	32.5V	8.0V	8.0V	5.5V	5.5V

## 9.3.2 Protection Function

### 9.3.2.1 Protective Mechanisms

iR2016J / iR2016 / iR2020 / / iR2016i / iR2020i

The power supply PCB is provided with an overcurrent/overvoltage protection function to automatically cut off the output voltage when a trouble such as a short circuit occurs on in the load.

When the overcurrent/overvoltage protection function is activated, turn off the main power switch, solve the trouble with the load, and then turn on the main power switch.

Further, the power supply circuit has two fuses which blow to stop power supply when an excessive current flows in the AC line.



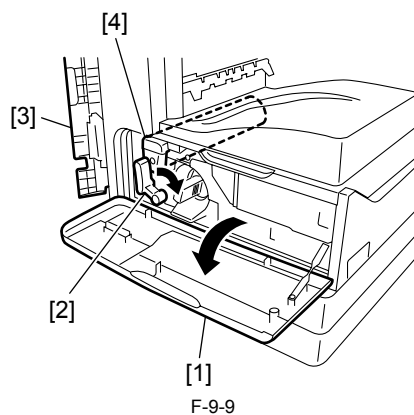
## 9.4 Parts Replacement Procedure

### 9.4.1 Main Drive Assembly

#### 9.4.1.1 Removing the Drum Unit

iR2016J / iR2016 / iR2020 / / iR2016i / iR2020i

- 1) Open the front cover [1].
- 2) Turn the developing assembly locking lever [2] clockwise to open the left door [3].
- 3) Draw out the drum unit [4].

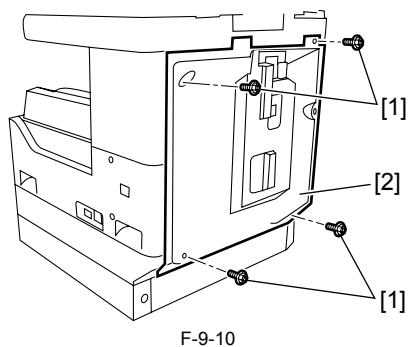


- When attaching or detaching the drum unit, open the left door fully to prevent the damage to the drum unit.
- To prevent exposure of the drum, cover the drum unit with a few sheets of paper and place it in a safe place.

#### 9.4.1.2 Removing the Rear Cover

iR2016J / iR2016 / iR2020 / / iR2016i / iR2020i

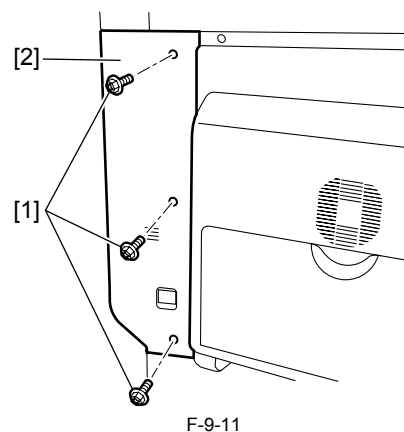
- 1) Remove the four screws [1], and then detach the rear cover [2].



#### 9.4.1.3 Removing the Left Cover (Rear)

iR2016J / iR2016 / iR2020 / / iR2016i / iR2020i

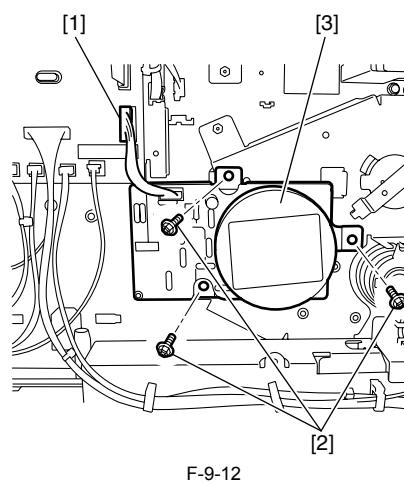
- 1) Remove the three screws [1], and then detach the left cover (rear).



#### 9.4.1.4 Removing the Main Motor

iR2016J / iR2016 / iR2020 / / iR2016i / iR2020i

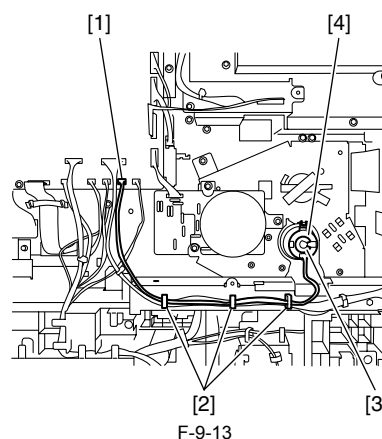
- 1) Disconnect the connector [1], remove three screws [2], and then remove the main motor [3].



#### 9.4.1.5 Removing the Registration Clutch

iR2016J / iR2016 / iR2020 / / iR2016i / iR2020i

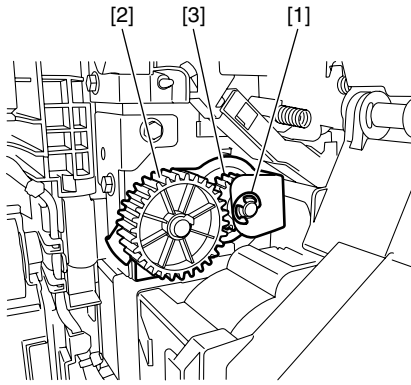
- 1) Disconnect the connector [1], and then remove the harness from the three wire saddles [2].
- 2) Remove the resin ring [3], and then remove the registration clutch [4].



#### 9.4.1.6 Removing the Main Drive Unit

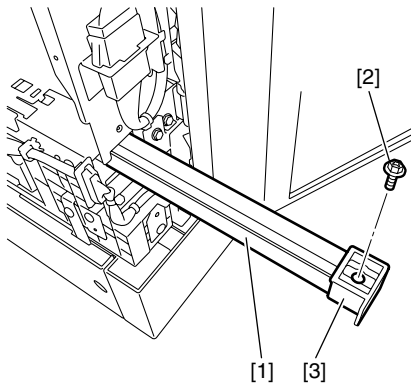
iR2016J / iR2016 / iR2020 / / iR2016i / iR2020i

- 1) Open the left door fully.
- 2) Remove the E-ring [1], and then remove the gear unit [2] and gear [3].



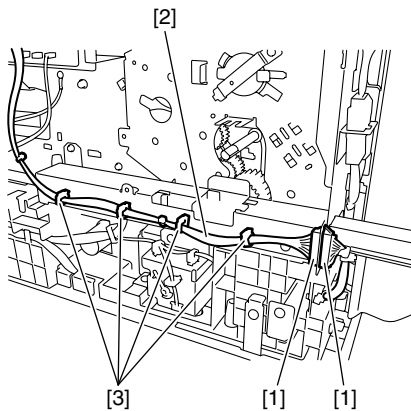
F-9-14

3) Pull out the handle [1] at the back of the machine, remove the screw [2], and then remove the stopper [3].



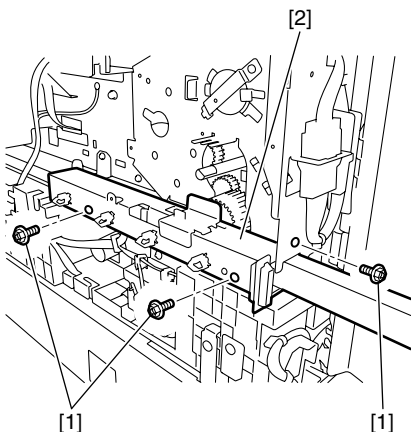
F-9-15

4) Disconnect the two connectors [1], and then remove the harness [2] from the wire saddle [3].



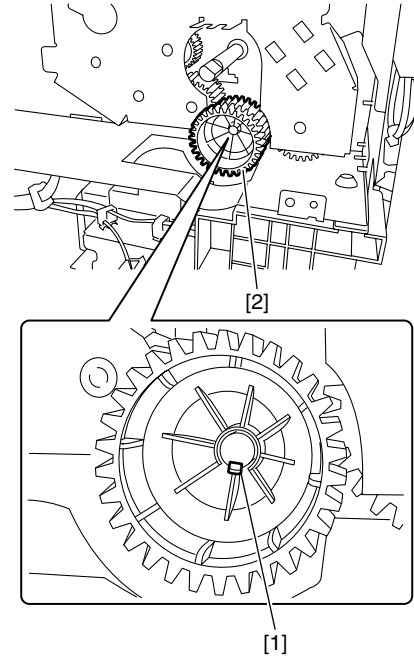
F-9-16

5) Remove the three screws [1], and then remove the handle unit [2].



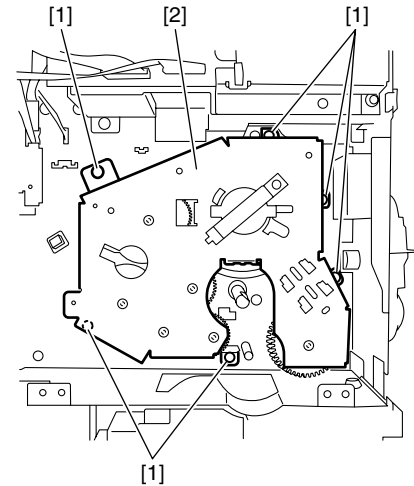
F-9-17

6) Release the gear stopper [1] from the shaft, and then remove the gear [2].



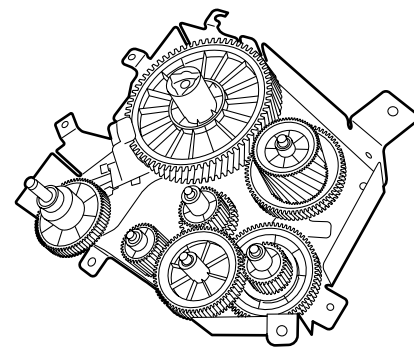
F-9-18

7) Remove the six screws [1], and then remove the main drive unit [2].



F-9-19

**!** Since the gears in the main drive unit are not secured, gears will fall if the main drive unit is inclined. If gears should fall, install them at the positions shown below.



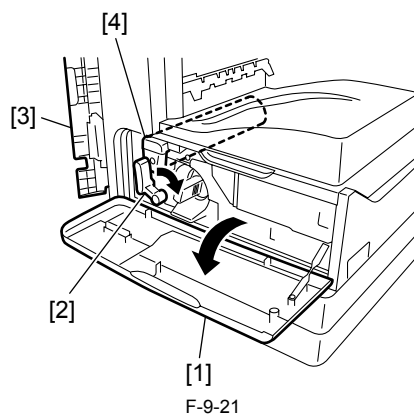
F-9-20

## 9.4.2 Fixing Drive Assembly

### 9.4.2.1 Removing the Drum Unit

iR2016J / iR2016 / iR2020 / iR2016i / iR2020i

- 1) Open the front cover [1].
- 2) Turn the developing assembly locking lever [2] clockwise to open the left door [3].
- 3) Draw out the drum unit [4].

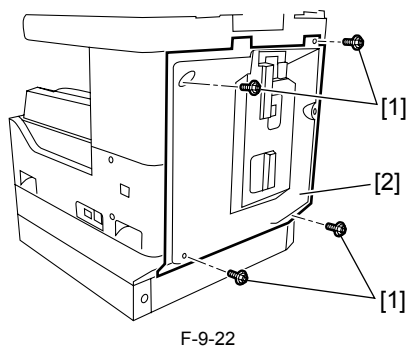


- When attaching or detaching the drum unit, open the left door fully to prevent the damage to the drum unit.
- To prevent exposure of the drum, cover the drum unit with a few sheets of paper and place it in a safe place.

#### 9.4.2.2 Removing the Rear Cover

iR2016J / iR2016 / iR2020 / / iR2016i / iR2020i

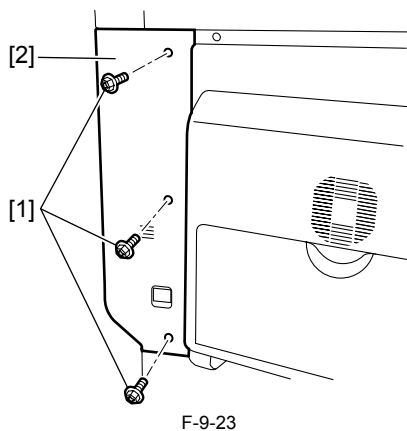
- 1) Remove the four screws [1], and then detach the rear cover [2].



#### 9.4.2.3 Removing the Left Cover (Rear)

iR2016J / iR2016 / iR2020 / / iR2016i / iR2020i

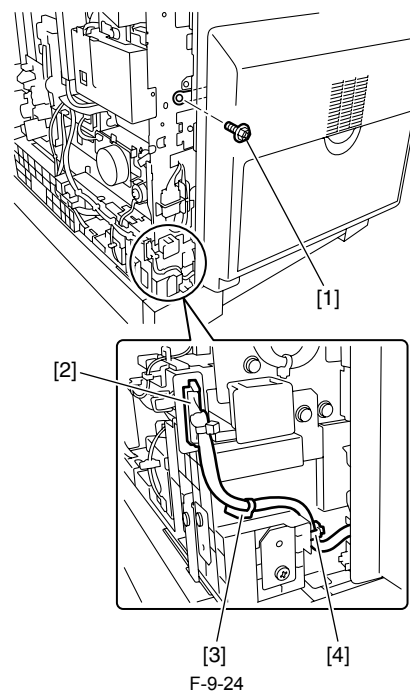
- 1) Remove the three screws [1], and then detach the left cover (rear).



#### 9.4.2.4 Removing the Left Door

iR2016J / iR2016 / iR2020 / / iR2016i / iR2020i

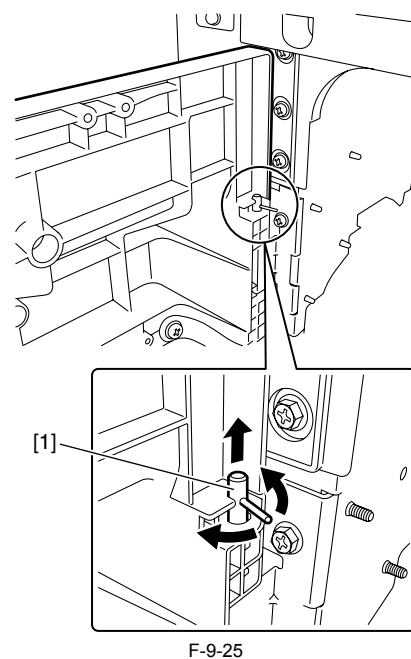
- 1) Remove the screw [1] securing the door support band. Remove the connector [2] and reusable band [3], and release the duplex unit harness from the wire saddle [4].



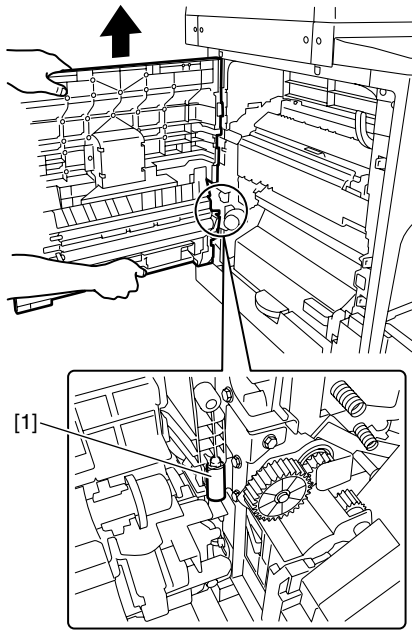
- 2) Open the left door until it sops and pull out the hinge shaft [1].

#### MEMO:

When a duplex unit (option) is installed, remove it before pulling out the hinge shaft for each access.



- 3) Lift the left door with both hands to release it from the door rotation shaft [1], and then remove the left door.

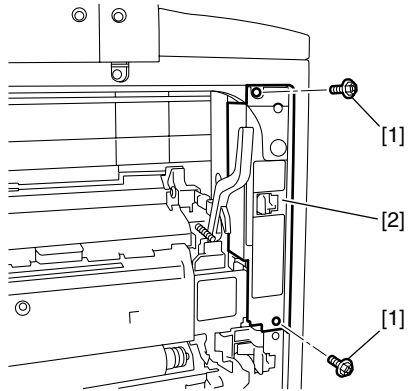


F-9-26

### 9.4.2.5 Removing the Fixing Unit

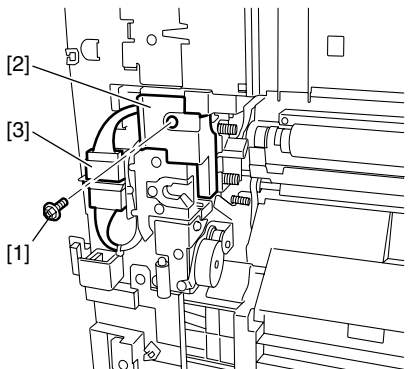
iR2016J / iR2016 / iR2020 / / iR2016i / iR2020i

- 1) Remove the two screws [1], and then detach the inner cover [2] at the upper front.



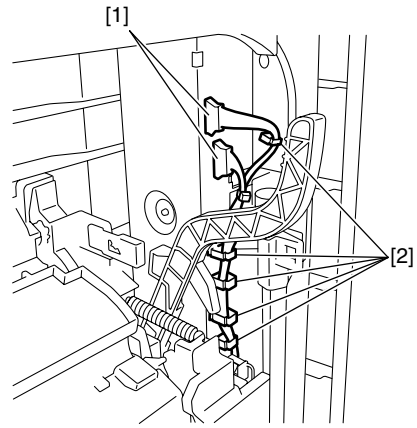
F-9-27

- 2) Remove the screw [1], and then detach the heater harness cover [2]. Disconnect the connector [3].



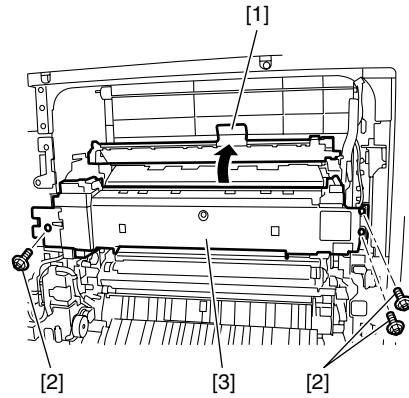
F-9-28

- 3) Disconnect the two connectors [1], and then release the fixing unit harness from the wire saddle [2].



F-9-29

- 4) Raise the delivery upper guide [1]. Remove the three screws [2], and then remove the fixing unit [3].

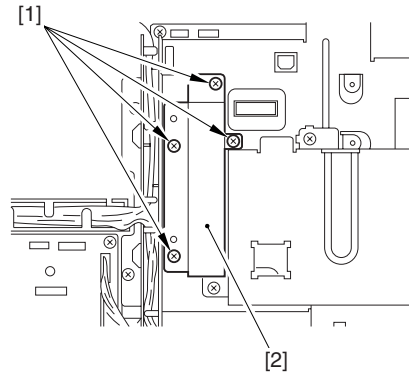


F-9-30

### 9.4.2.6 Removing the SDRAM

iR2016J / iR2016 / iR2020 / / iR2016i / iR2020i

- 1) Remove the four screws [1], and then detach the RAM cover [2].

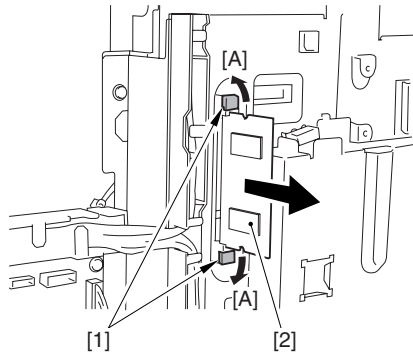


F-9-31

### 9.4.2.7 Removing the SDRAM

iR2016J / iR2016 / iR2020 / / iR2016i / iR2020i

- 1) Release two lock levers [1] in the direction of arrow [A] and remove SDRAM [2].

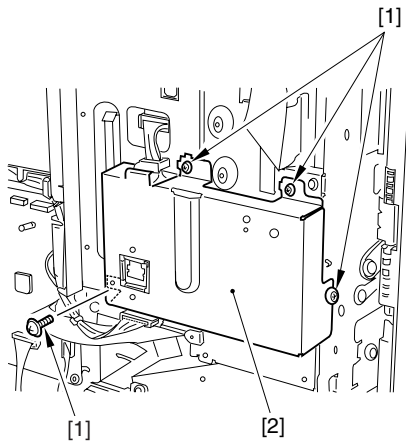


F-9-32

**9.4.2.8 Removing the LAN Cover**

iR2016 / iR2020 / iR2016i / iR2020i

1) Remove the four screws [1], and then detach the LAN cover [2].

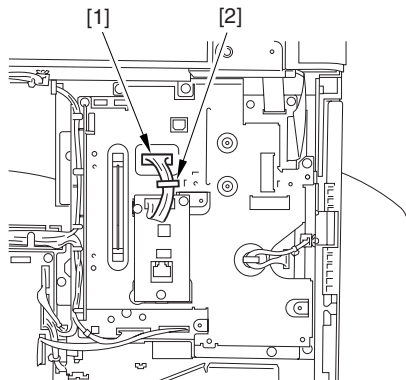


F-9-33

**9.4.2.9 Removing the IP Cover**

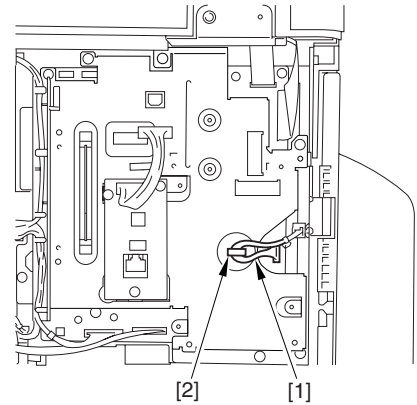
iR2016 / iR2020 / iR2016i / iR2020i

1) Remove a connector [1] of IP-LAN cable and a cable clamp [2].



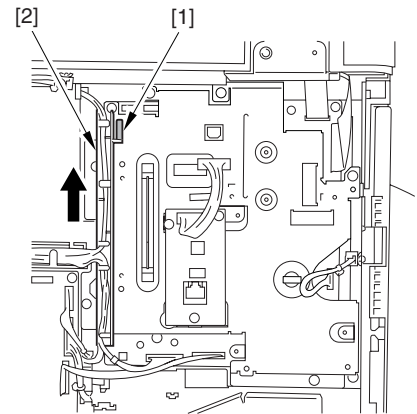
F-9-34

2) Release SOFT ID cable [1] from the cable clamp [2].



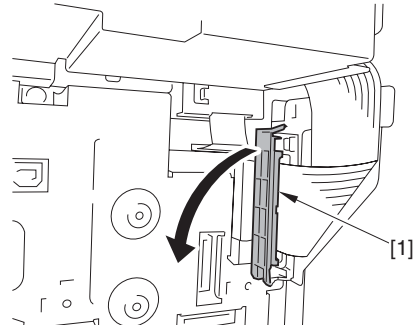
F-9-35

3) Release a claw [1] of cable guide and detach the cable guide [2] upward.



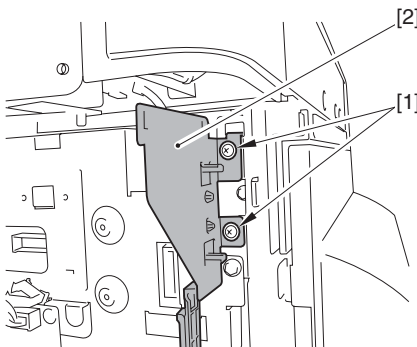
F-9-36

4) Open a core [1].



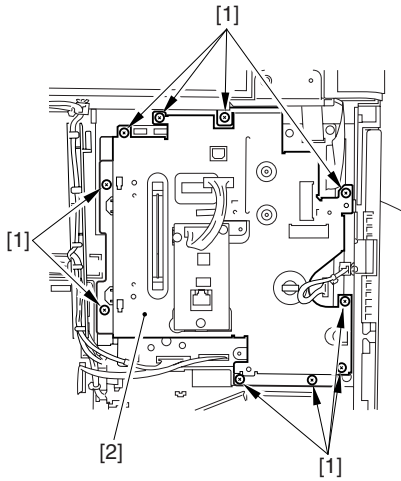
F-9-37

5) Remove the two screws [1], and then detach the flexible cable guide [2].



F-9-38

6) Remove the 10 screws [1], and then detach the IP cover [2].

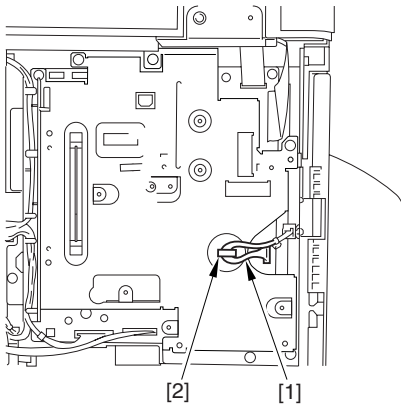


F-9-39

### 9.4.2.10 Removing the IP Cover

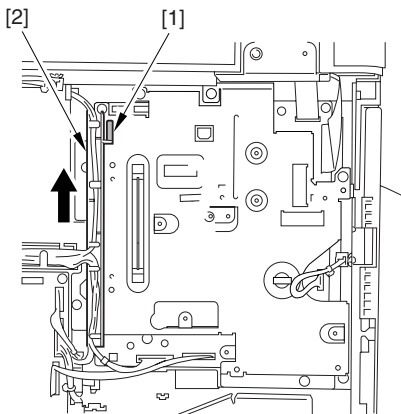
iR2016J /

- 1) Release SOFT ID cable [1] from the cable clamp [2].



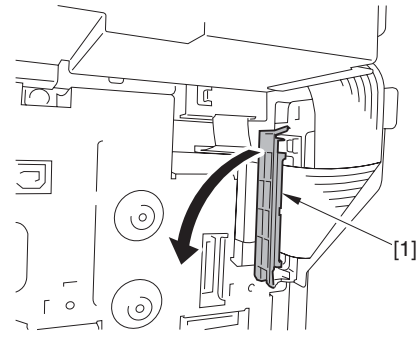
F-9-40

- 2) Release a claw [1] of cable guide and detach the cable guide [2] upward.



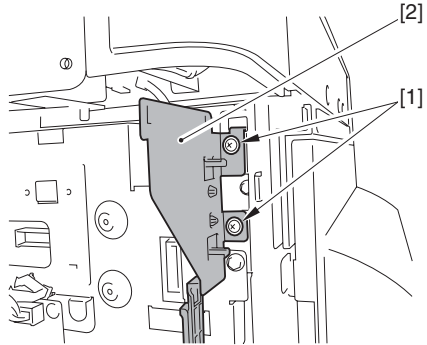
F-9-41

- 3) Open a core [1].



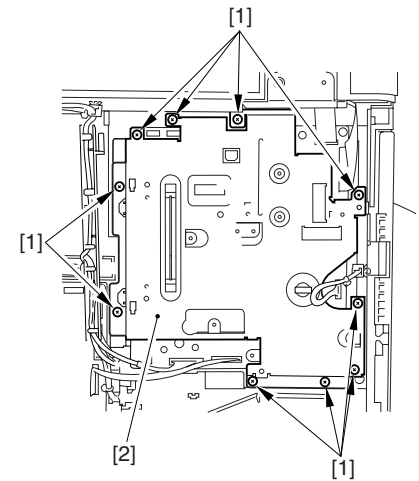
F-9-42

- 4) Remove the two screws [1], and then detach the flexible cable guide [2].



F-9-43

- 5) Remove the 10 screws [1], and then detach the IP cover [2].

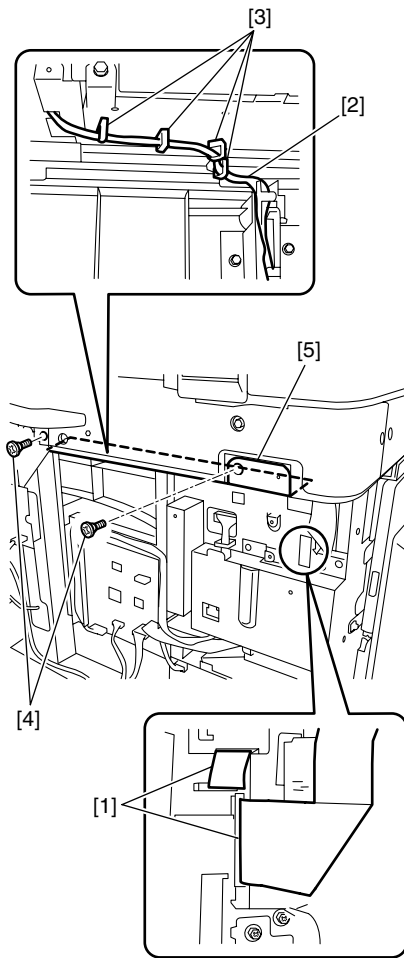


F-9-44

### 9.4.2.11 Removing the Image Processor PCB Mount

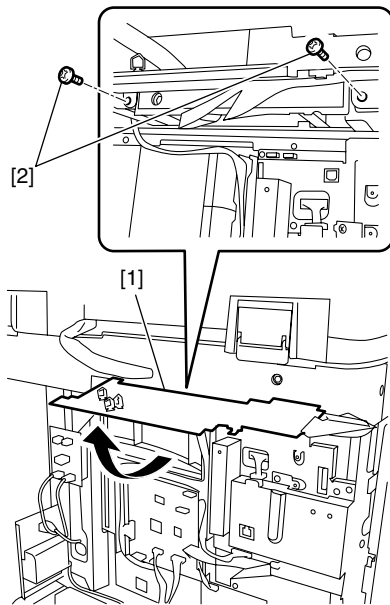
iR2016J / iR2016 / iR2020 / / iR2016i / iR2020i

- 1) Disconnect the two reader flexible cables [1]. Release the harness [2] from the wire saddles [3]. Remove the two screws [4], and then detach the flexible cable cover [5].



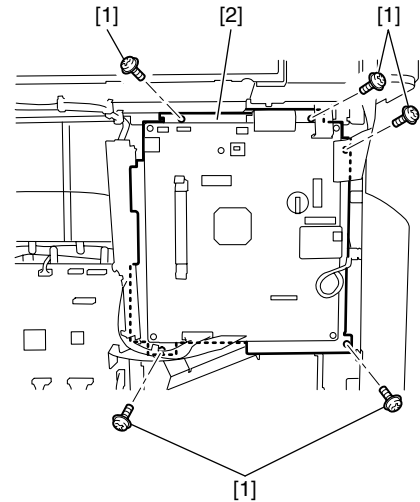
F-9-45

2) Turn over the reader flexible cable cover [1], and then secure to the back of the reader temporarily using a screw [2].



F-9-46

3) Disconnect all connectors and remove the five screws [2], then remove the image processor PCB with the PCB mount.

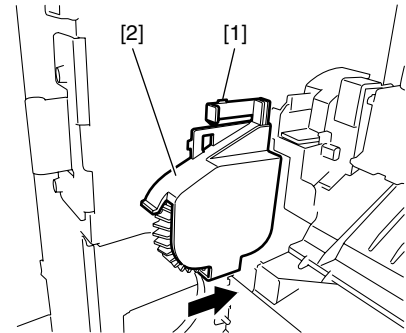


F-9-47

### 9.4.2.12 Removing the Fixing Drive Unit

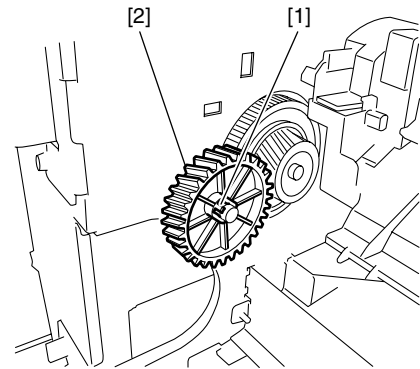
iR2016J / iR2016 / iR2020 / / iR2016i / iR2020i

1) Release the claw [1] on the gear cover, and then remove the gear cover [2] by sliding it in the direction of the arrow.



F-9-48

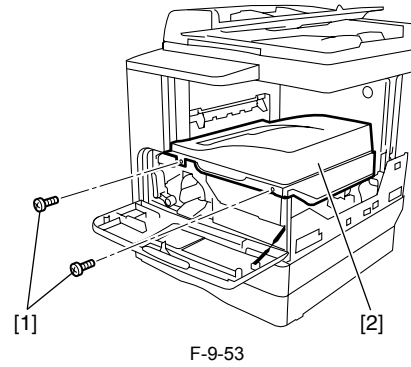
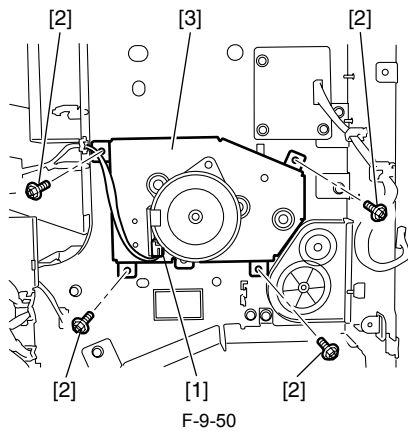
2) Release the gear stopper [1], and then remove the gear [2].



F-9-49

3) Remove the four screws [1], and then remove the fixing drive unit [2].





F-9-53

### 9.4.3.4 Removing the Main Power Supply PCB

iR2016J / iR2016 / iR2020 / / iR2016i / iR2020i

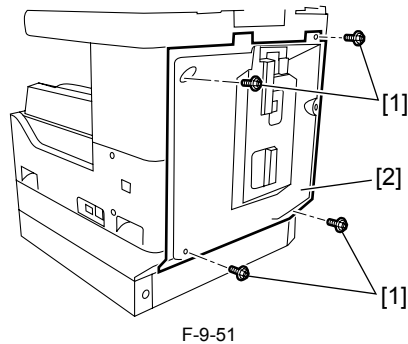
- 1) Remove the connector [1] and screw [2], and then remove the power supply PCB [3].

## 9.4.3 Power Supply Unit

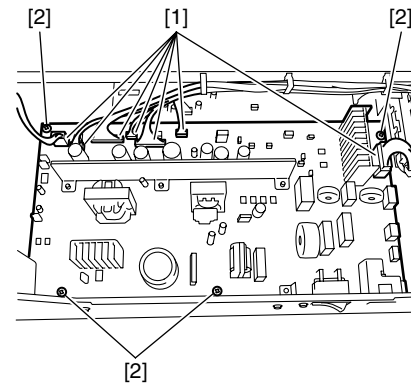
### 9.4.3.1 Removing the Rear Cover

iR2016J / iR2016 / iR2020 / / iR2016i / iR2020i

- 1) Remove the four screws [1], and then detach the rear cover [2].



F-9-51

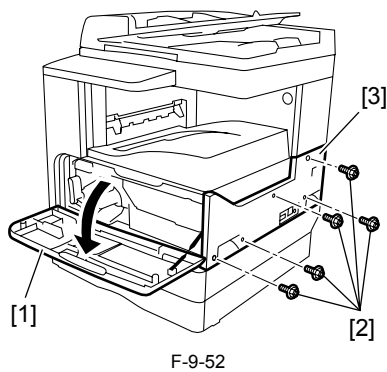


F-9-54

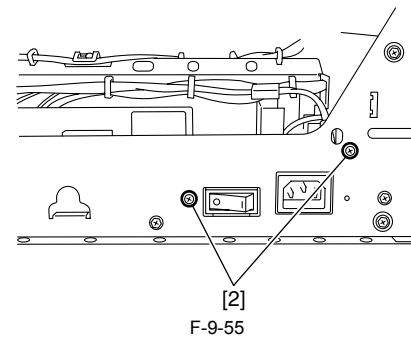
### 9.4.3.2 Removing the Right Cover (Lower)

iR2016J / iR2016 / iR2020 / / iR2016i / iR2020i

- 1) Open the front cover.
- 2) Remove the five screws [1]. Remove the two hooks [2], and then detach the right cover (lower) [3].



F-9-52



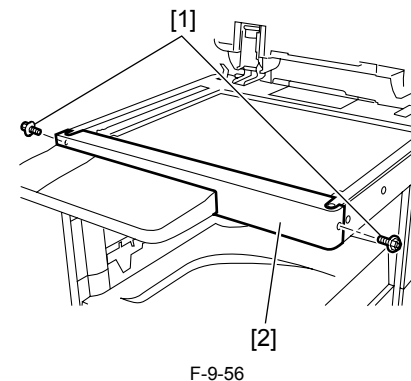
F-9-55

## 9.4.4 Control Panel

### 9.4.4.1 Removing the Reader Front Cover

iR2016J / iR2016 / iR2020 / / iR2016i / iR2020i

- 1) Open the copyboard cover (or ADF).
- 2) Remove the two screws [1], and then detach the reader front cover [2].



F-9-56

### 9.4.3.3 Removing the Delivery Tray

iR2016J / iR2016 / iR2020 / / iR2016i / iR2020i

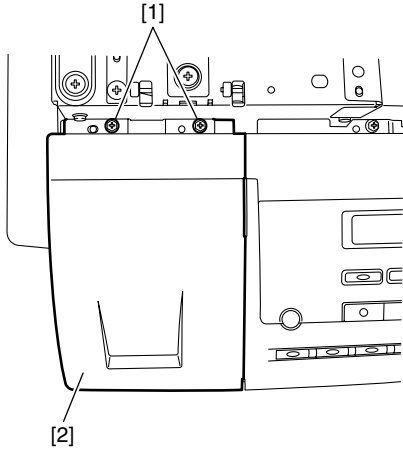
- 1) Remove the two screws [1], and then detach the delivery tray [2].



**9.4.4.2 Removing the Operation Panel Unit (iR2020/ iR2020J/iR2016/iR2016J)**

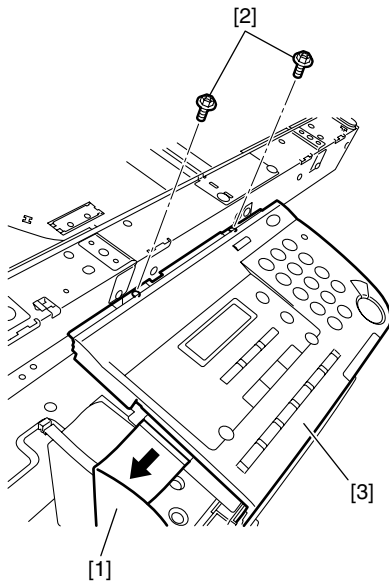
iR2016J / iR2016 / iR2020 /

- 1) Remove the two screw [1], and then detach the left cover [2] of the operation panel unit.



F-9-57

- 2) Remove the flat cable [1] and two screws [2], and then remove the operation panel unit [3].

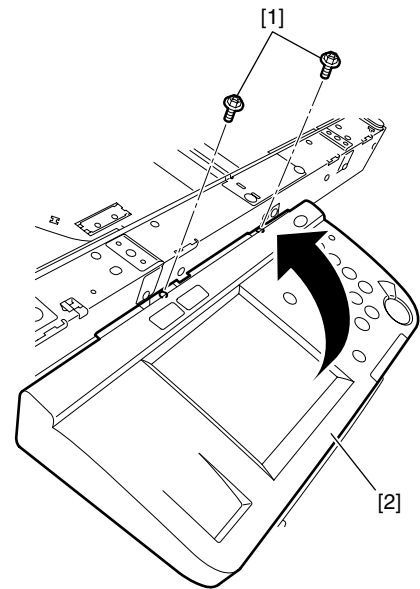


F-9-58

**9.4.4.3 Removing the Operation Panel Unit (iR2020i/ iR2016i)**

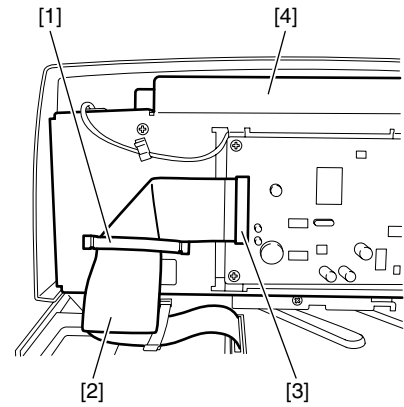
iR2016i / iR2020i

- 1) Remove the two screws [1], and then turn over the operation panel unit[2].



F-9-59

- 2) Disconnect the flexible cable holder [1] and disconnect the connector [3] of the flexible cable [2] to remove the operation panel unit [4].



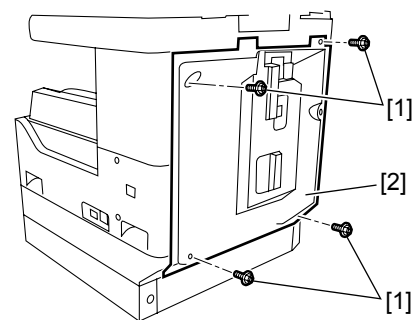
F-9-60

**9.4.5 DC Controller PCB**

**9.4.5.1 Removing the Rear Cover**

iR2016J / iR2016 / iR2020 / / iR2016i / iR2020i

- 1) Remove the four screws [1], and then detach the rear cover [2].

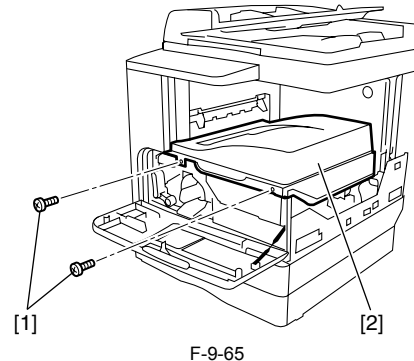
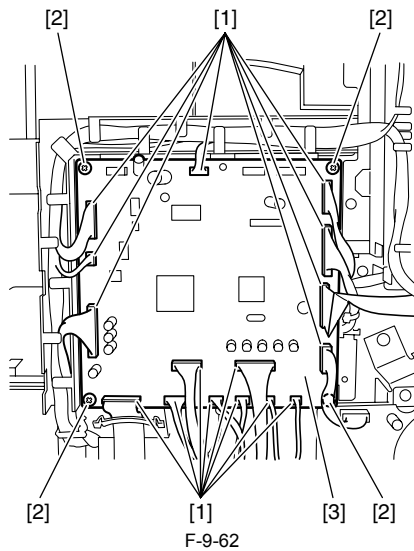


F-9-61

**9.4.5.2 Removing the DC Controller PCB**

iR2016J / iR2016 / iR2020 / / iR2016i / iR2020i

- 1) Disconnect all connectors [1]. Remove the four screws [2], and then remove the DC controller PCB [3].

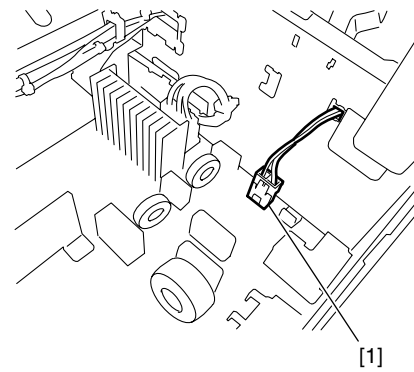


F-9-65

**9.4.6.4 Removing the Option Power Supply PCB**

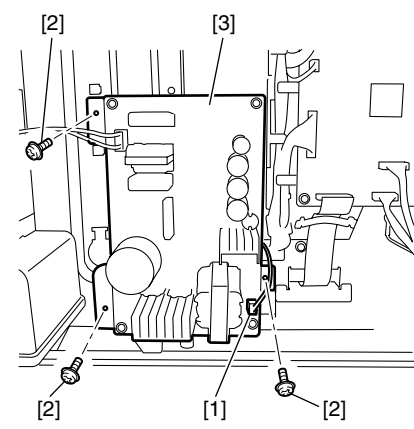
iR2016J / iR2016 / iR2020 / / iR2016i / iR2020i

- 1) Disconnect the connector (J16) [1] on the power supply PCB.



F-9-66

- 2) Disconnect the connector (J53) [1] on the power supply PCB. Remove the three screws [2], and then remove the option power supply PCB [3].



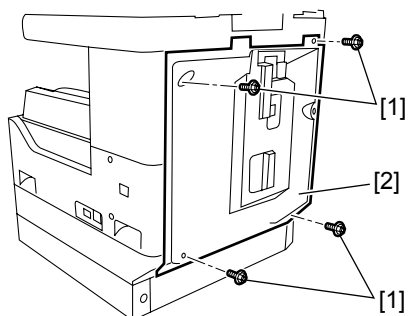
F-9-67

**9.4.6 Option Power Supply PCB**

**9.4.6.1 Removing the Rear Cover**

iR2016J / iR2016 / iR2020 / / iR2016i / iR2020i

- 1) Remove the four screws [1], and then detach the rear cover [2].

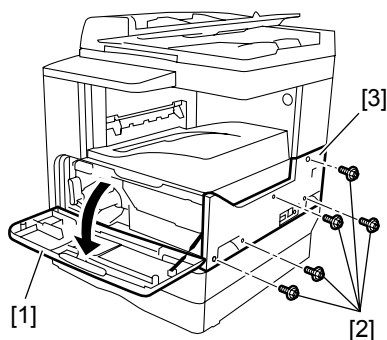


F-9-63

**9.4.6.2 Removing the Right Cover (Lower)**

iR2016J / iR2016 / iR2020 / / iR2016i / iR2020i

- 1) Open the front cover.
- 2) Remove the five screws [1]. Remove the two hooks [2], and then detach the right cover (lower) [3].



F-9-64

**9.4.6.3 Removing the Delivery Tray**

iR2016J / iR2016 / iR2020 / / iR2016i / iR2020i

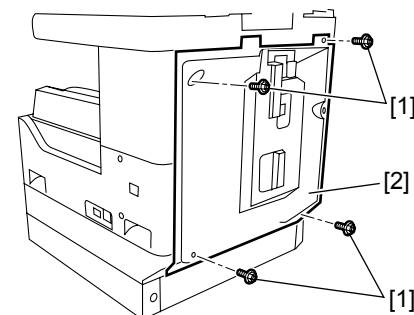
- 1) Remove the two screws [1], and then detach the delivery tray [2].

**9.4.7 HVT PCB**

**9.4.7.1 Removing the Rear Cover**

iR2016J / iR2016 / iR2020 / / iR2016i / iR2020i

- 1) Remove the four screws [1], and then detach the rear cover [2].

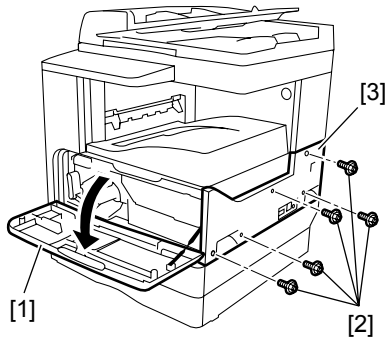


F-9-68

### 9.4.7.2 Removing the Right Cover (Lower)

iR2016J / iR2016 / iR2020 / / iR2016i / iR2020i

- 1) Open the front cover.
- 2) Remove the five screws [1]. Remove the two hooks [2], and then detach the right cover (lower) [3].

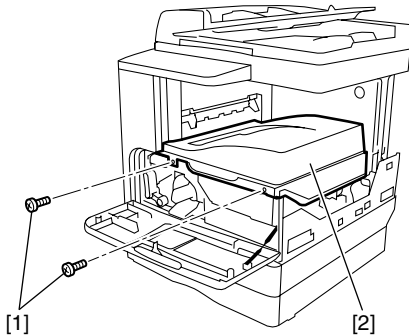


F-9-69

### 9.4.7.3 Removing the Delivery Tray

iR2016J / iR2016 / iR2020 / / iR2016i / iR2020i

- 1) Remove the two screws [1], and then detach the delivery tray [2].

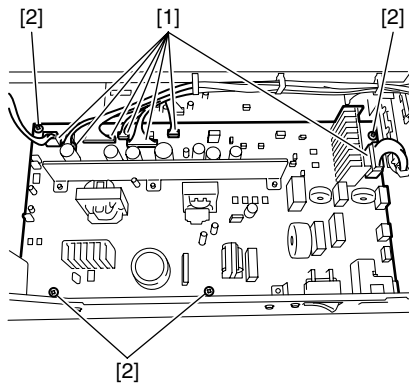


F-9-70

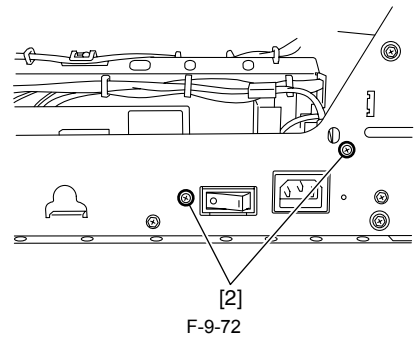
### 9.4.7.4 Removing the Main Power Supply PCB

iR2016J / iR2016 / iR2020 / / iR2016i / iR2020i

- 1) Remove the connector [1] and screw [2], and then remove the power supply PCB [3].



F-9-71

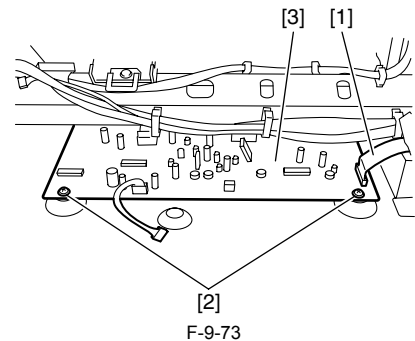


F-9-72

### 9.4.7.5 Removing the HVT PCB

iR2016J / iR2016 / iR2020 / / iR2016i / iR2020i

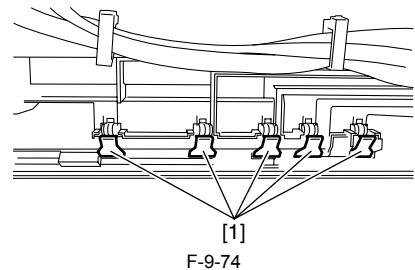
- 1) Remove the connector [1] and screw [2], and then remove the HVT PCB.



F-9-73



When installing the HVT PCB, check that the contacts on the high voltage electrode plate [1] touch the contacts on the PCB.



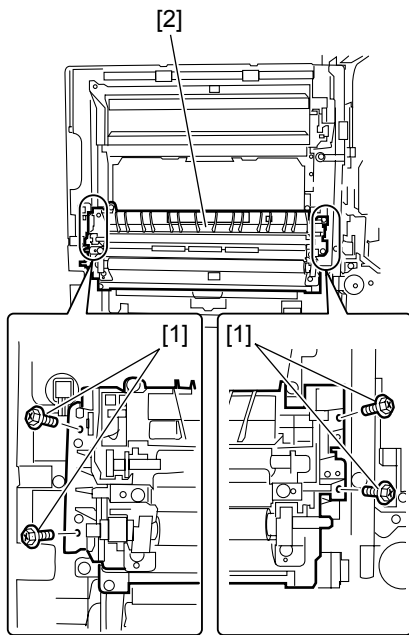
F-9-74

### 9.4.8 Fixing Heat Discharge Fan

#### 9.4.8.1 Removing the Fixing Heat Discharge Fan

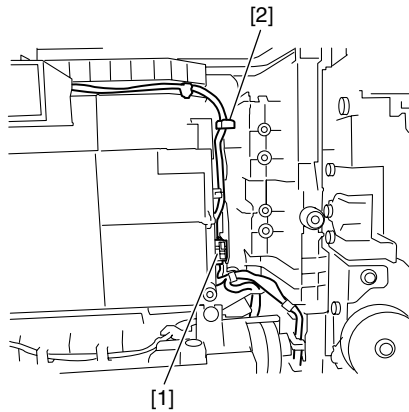
iR2016J / iR2016 / iR2020 / / iR2016i / iR2020i

- 1) Open the left door until it stops.
- 2) Remove the four screws [1], and then remove the transfer/registration unit [2].



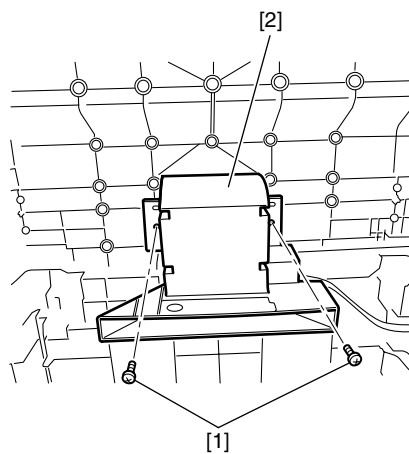
F-9-75

3) Disconnect the connector [1], and then release the harness from the wire saddle [2].



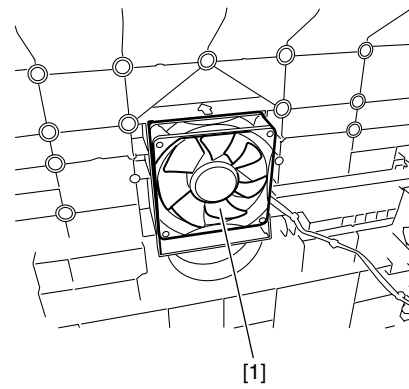
F-9-76

4) Remove the two screws [1], and then remove the duct [2].



F-9-77

5) Remove the fixing heart discharge fan [1].



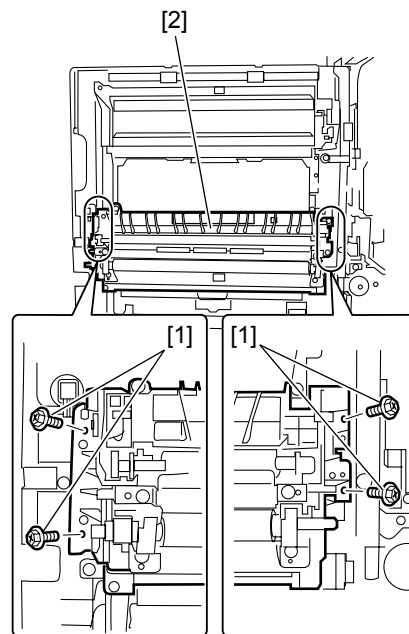
F-9-78

## 9.4.9 Fan Filter

### 9.4.9.1 Removing the Fan Filter

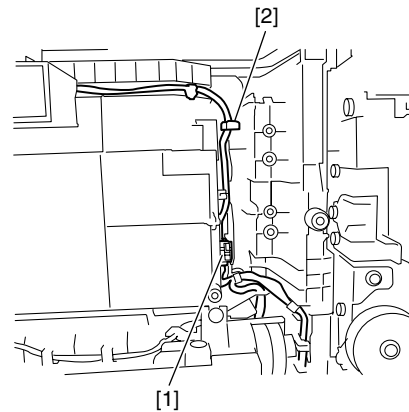
iR2016J / iR2016 / iR2020 / / iR2016i / iR2020i

- 1) Open the left door until it stops.
- 2) Remove the four screws [1], and then remove the transfer/registration unit [2].



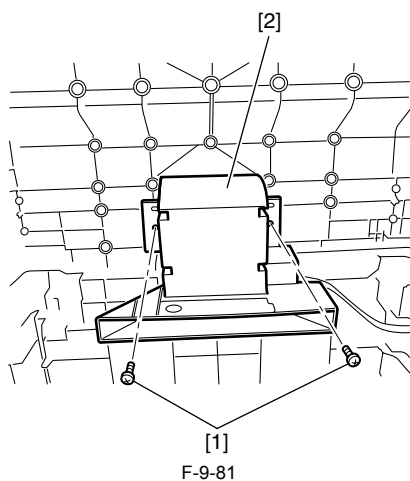
F-9-79

- 3) Disconnect the connector [1], and then release the harness from the wire saddle [2].



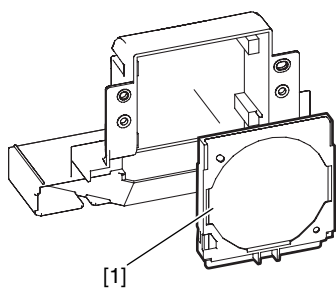
F-9-80

- 4) Remove the two screws [1], and then remove the duct [2].



F-9-81

5) Remove the fan filter [1] from the duct.



F-9-82

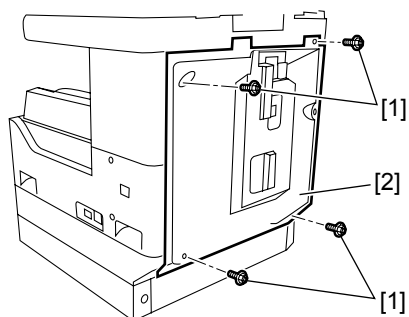
MEMO:  
When a duplex unit is used, first remove the duplex unit and next remove the fan filter from it.

#### 9.4.10 Motor of Main Drive Assembly

##### 9.4.10.1 Removing the Rear Cover

iR2016J / iR2016 / iR2020 / / iR2016i / iR2020i

1) Remove the four screws [1], and then detach the rear cover [2].

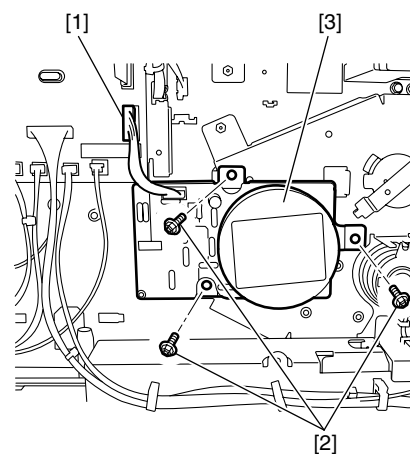


F-9-83

##### 9.4.10.2 Removing the Main Motor

iR2016J / iR2016 / iR2020 / / iR2016i / iR2020i

1) Disconnect the connector [1], remove three screws [2], and then remove the main motor [3].



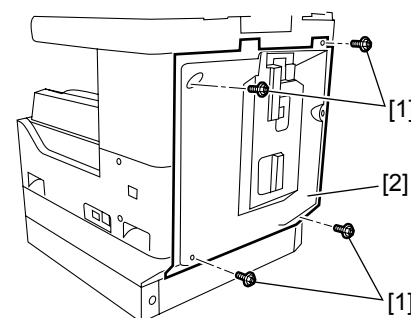
F-9-84

#### 9.4.11 Fixing Driver Motor

##### 9.4.11.1 Removing the Rear Cover

iR2016J / iR2016 / iR2020 / / iR2016i / iR2020i

1) Remove the four screws [1], and then detach the rear cover [2].

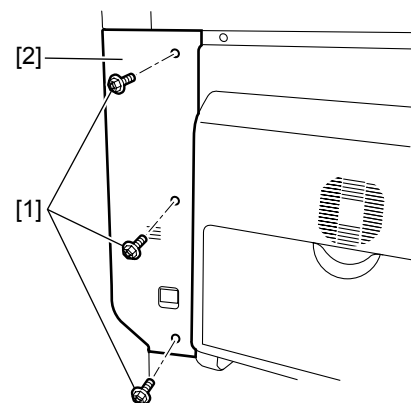


F-9-85

##### 9.4.11.2 Removing the Left Cover (Rear)

iR2016J / iR2016 / iR2020 / / iR2016i / iR2020i

1) Remove the three screws [1], and then detach the left cover (rear).

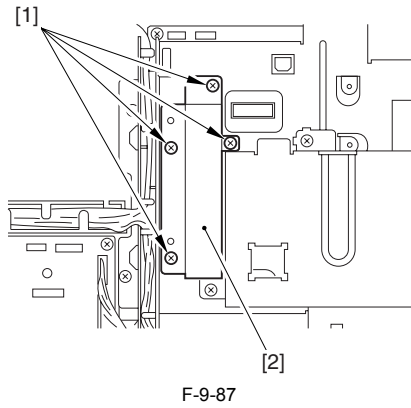


F-9-86

##### 9.4.11.3 Removing the RAM Cover

iR2016J / iR2016 / iR2020 / / iR2016i / iR2020i

1) Remove the four screws [1], and then detach the RAM cover [2].

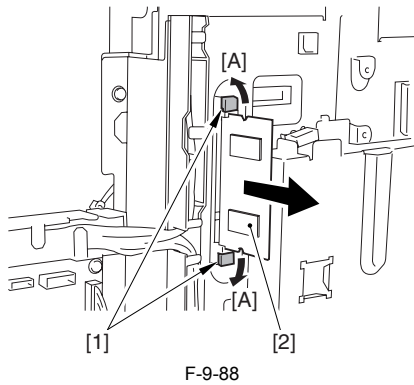


F-9-87

#### 9.4.11.4 Removing the SDRAM

iR2016J / iR2016 / iR2020 / iR2016i / iR2020i

1) Release two lock levers [1] in the direction of arrow [A] and remove SDRAM [2].

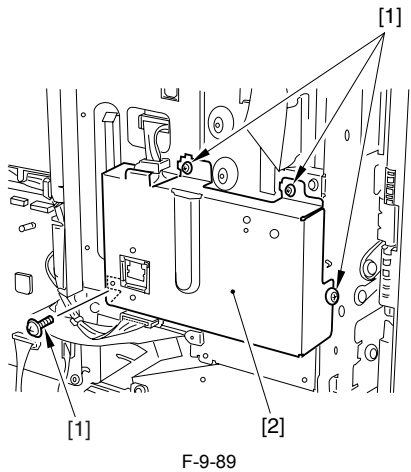


F-9-88

#### 9.4.11.5 Removing the LAN Cover

iR2016 / iR2020 / iR2016i / iR2020i

1) Remove the four screws [1], and then detach the LAN cover [2].

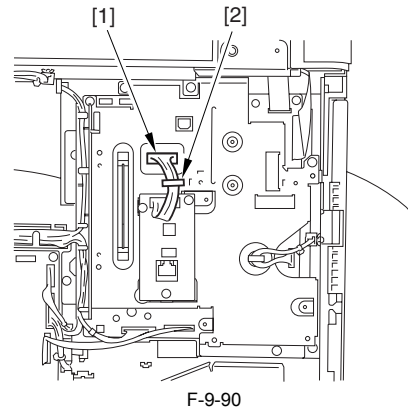


F-9-89

#### 9.4.11.6 Removing the IP Cover

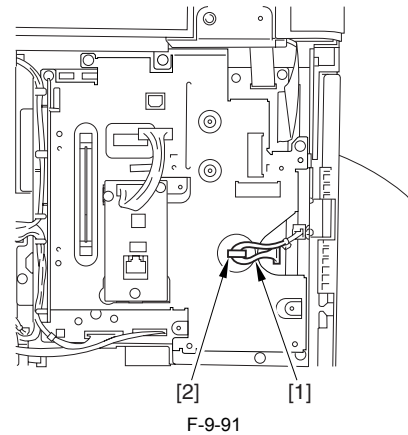
iR2016 / iR2020 / iR2016i / iR2020i

1) Remove a connector [1] of IP-LAN cable and a cable clamp [2].



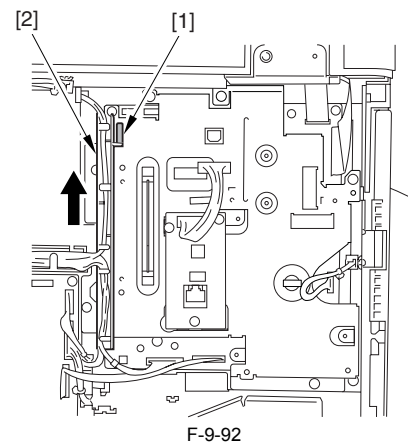
F-9-90

2) Release SOFT ID cable [1] from the cable clamp [2].



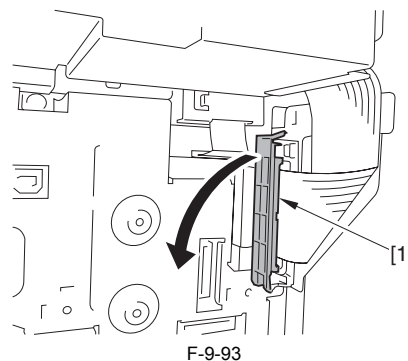
F-9-91

3) Release a claw [1] of cable guide and detach the cable guide [2] upward.



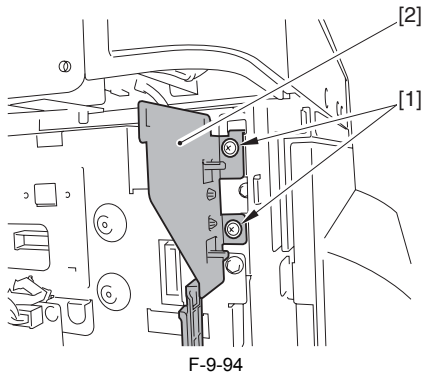
F-9-92

4) Open a core [1].

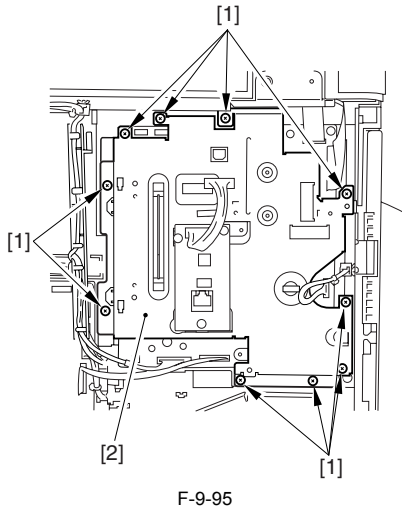


F-9-93

5) Remove the two screws [1], and then detach the flexible cable guide [2].



6) Remove the 10 screws [1], and then detach the IP cover [2].

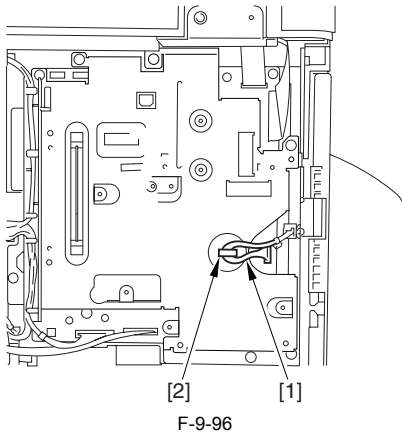


F-9-95

**9.4.11.7 Removing the IP Cover**

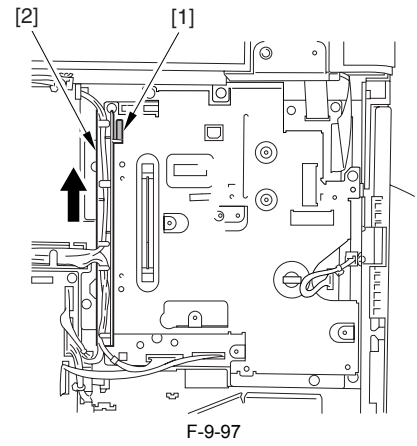
iR2016J /

1) Release SOFT ID cable [1] from the cable clamp [2].



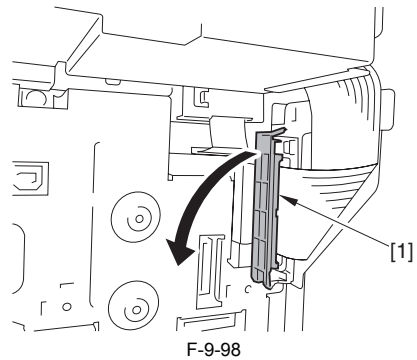
F-9-96

2) Release a claw [1] of cable guide and detach the cable guide [2] upward.



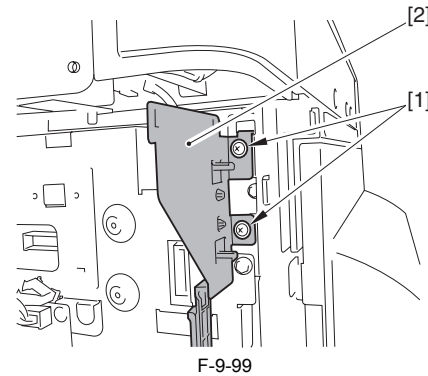
F-9-97

3) Open a core [1].



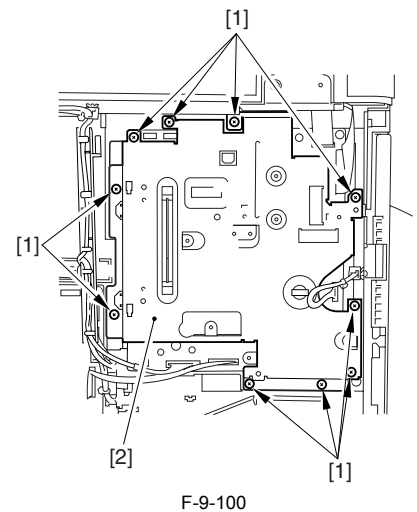
F-9-98

4) Remove the two screws [1], and then detach the flexible cable guide [2].



F-9-99

5) Remove the 10 screws [1], and then detach the IP cover [2].

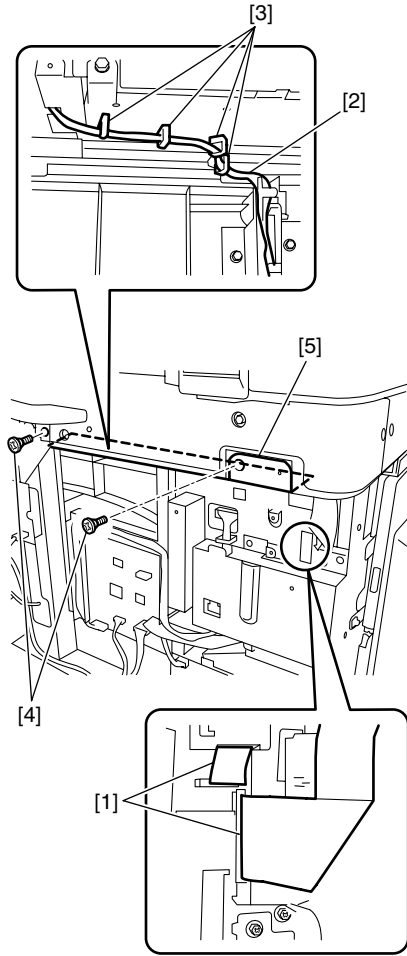


F-9-100

**9.4.11.8 Removing the Image Processor PCB Mount**

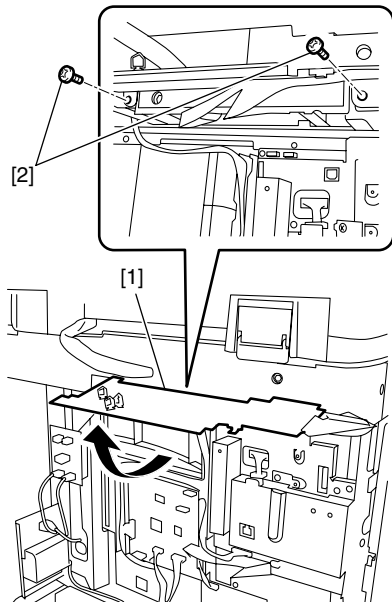
iR2016J / iR2016 / iR2020 / / iR2016i / iR2020i

- 1) Disconnect the two reader flexible cables [1]. Release the harness [2] from the wire saddles [3]. Remove the two screws [4], and then detach the flexible cable cover [5].



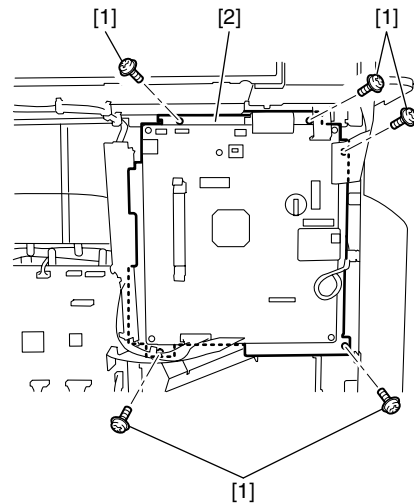
F-9-101

- 2) Turn over the reader flexible cable cover [1], and then secure to the back of the reader temporarily using a screw [2].



F-9-102

- 3) Disconnect all connectors and remove the five screws [2], then remove the image processor PCB with the PCB mount.

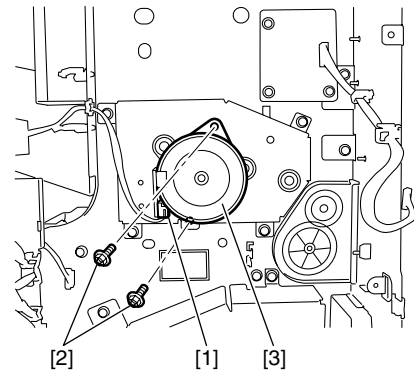


F-9-103

### 9.4.11.9 Removing the Fixing Unit Drive Motor

iR2016J / iR2016 / iR2020 / iR2016i / iR2020i

- 1) Disconnect the connector [1], remove the two screws [2], and then remove the fixing motor [3].



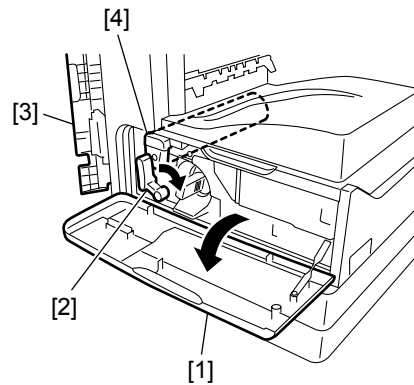
F-9-104

### 9.4.12 Left Door

#### 9.4.12.1 Removing the Drum Unit

iR2016J / iR2016 / iR2020 / iR2016i / iR2020i

- 1) Open the front cover [1].
- 2) Turn the developing assembly locking lever [2] clockwise to open the left door [3].
- 3) Draw out the drum unit [4].



F-9-105

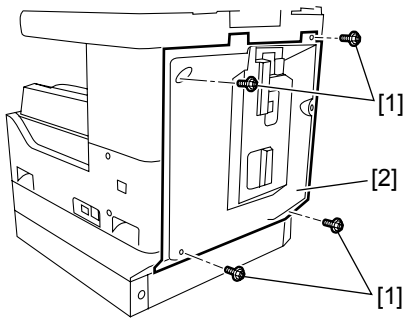
- ⚠ - When attaching or detaching the drum unit, open the left door fully to prevent the damage to the drum unit.
- To prevent exposure of the drum, cover the drum unit with a few sheets of paper and place it in a safe place.



### 9.4.12.2 Removing the Rear Cover

iR2016J / iR2016 / iR2020 / / iR2016i / iR2020i

- 1) Remove the four screws [1], and then detach the rear cover [2].

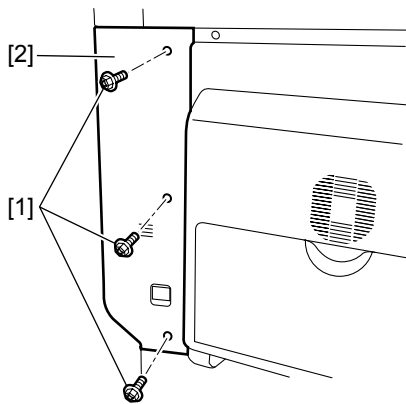


F-9-106

### 9.4.12.3 Removing the Left Cover (Rear)

iR2016J / iR2016 / iR2020 / / iR2016i / iR2020i

- 1) Remove the three screws [1], and then detach the left cover (rear).

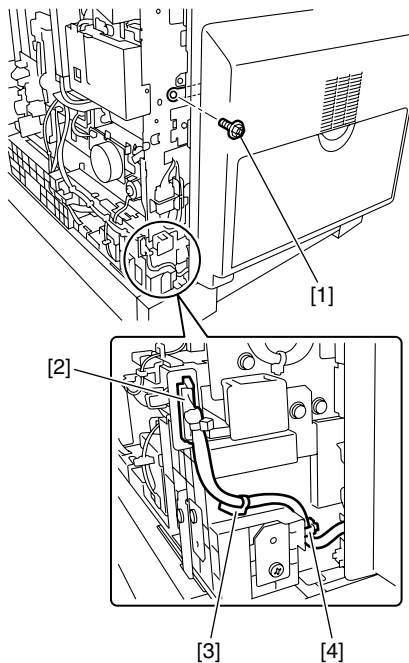


F-9-107

### 9.4.12.4 Removing the Left Door

iR2016J / iR2016 / iR2020 / / iR2016i / iR2020i

- 1) Remove the screw [1] securing the door support band. Remove the connector [2] and reusable band [3], and release the duplex unit harness from the wire saddle [4].

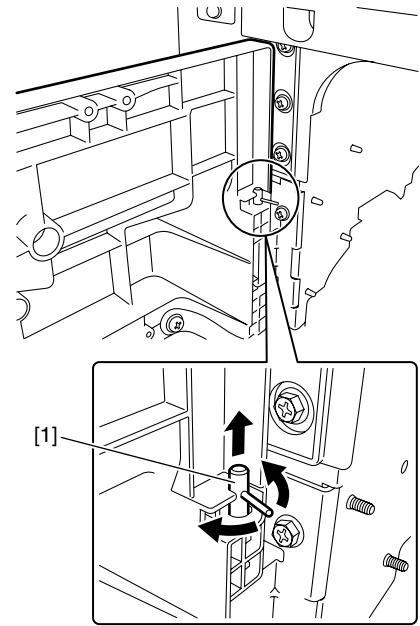


F-9-108

- 2) Open the left door until it sops and pull out the hinge shaft [1].

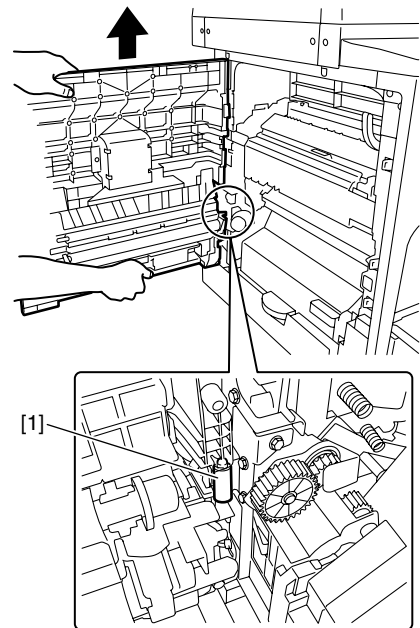
MEMO:

When a duplex unit (option) is installed, remove it before pulling out the hinge shaft for each access.



F-9-109

- 3) Lift the left door with both hands to release it from the door rotation shaft [1], and then remove the left door.



F-9-110



---

## Chapter 10 Maintenance and Inspection

---



# Contents

10.1 Periodically Replaced Parts .....	10-1
10.1.1 Overview .....	10-1
10.1.2 Reader Unit .....	10-1
10.1.3 Printer Unit .....	10-1
10.2 Durables and Consumables .....	10-1
10.2.1 Overview .....	10-1
10.2.2 Reader Unit .....	10-1
10.2.3 Printer Unit .....	10-1
10.3 Scheduled Servicing Basic Procedure.....	10-2
10.3.1 Scheduled Servicing.....	10-2



## 10.1 Periodically Replaced Parts

### 10.1.1 Overview

iR2016J / iR2016 / iR2020 / / iR2016i / iR2020i

The machine has parts that must be replaced on a periodical basis to ensure a specific level of functional performance. (The loss of the function of any of these parts will significantly affect the machine performance, regardless of the presence/absence of external changes or damage.)  
If possible, schedule the replacement so that it coincides with a scheduled service visit.



The timing of replacement may vary depending on the site environment or user habit.

### 10.1.2 Reader Unit

iR2016J / iR2016 / iR2020 / / iR2016i / iR2020i

The reader unit does not have parts that require periodical replacement.

### 10.1.3 Printer Unit

iR2016J / iR2016 / iR2020 / / iR2016i / iR2020i

The printer unit does not have parts that require periodical replacement.

## 10.2 Durables and Consumables

### 10.2.1 Overview

iR2016J / iR2016 / iR2020 / / iR2016i / iR2020i

The machine has parts that may require replacement once or more during the period of product warranty because of wear or damage. Replace them as needed by referring to their indicated estimated lives.

- Checking the Timing of Replacement

Use the following service mode item to check the timing of replacement:

#COUNTER > DRBL-1

- FX-UNIT: Fixing Unit

- TR-ROLL: Transfer roller

- DV-UNIT-C: Developing unit

- M-PU-RL: Manual feed pickup roller

- M-SP-PD: Manual feed separation pad

### 10.2.2 Reader Unit

iR2016J / iR2016 / iR2020 / / iR2016i / iR2020i

The reader unit does not have parts that are classified as durables.

### 10.2.3 Printer Unit

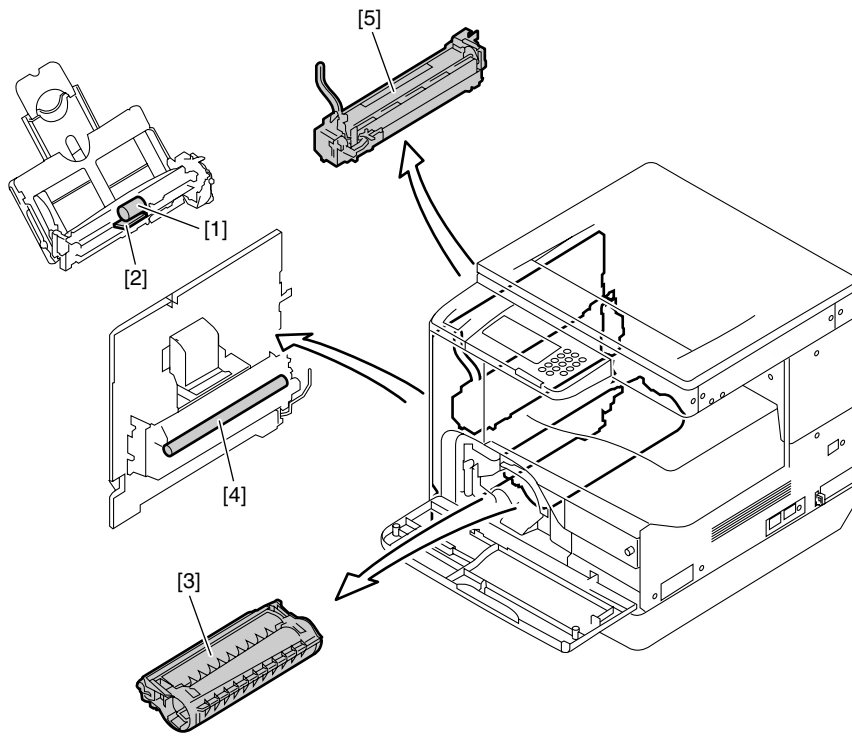
iR2016J / iR2016 / iR2020 / / iR2016i / iR2020i

T-10-1

Ref.	Parts name	Parts No.	Q'ty	Life	As of Aug. 2005
					Remarks
[1]	Manual feed pickup roller	FL2-3202-000	1	150K	
[2]	Manual feed separation pad	FL2-3201-000	1	150K	
[3]	Devloping unit	FM2-3286-000	1	150K	
[4]	Transfer roller	FC6-4313-000	1	150K	
[5]	Fixing unit (120V)	FM2-3345-000	1	150K	
	Fixing unit (230V)	FM2-3352-000	1	150K	



The value is the mean value collected from the results of evaluation. The parts number may change because of changes in design.



F-10-1

## 10.3 Scheduled Servicing Basic Procedure

### 10.3.1 Scheduled Servicing

iR2016J / iR2016 / iR2020 / / iR2016i / iR2020i

The reader and printer unit does not have items that require scheduled servicing.



Be sure to clean the copyboard glass and the ADF reading glass during every service visit.



---

## Chapter 11 Standards and Adjustments

---



---

# Contents

11.1 Scanning System .....	11-1
11.1.1 Procedure after Replacing the CIS (iR2020/iR2020J/iR2016/iR2016J) .....	11-1
11.1.2 Procedure after Replacing the CIS (iR2020i/iR2016i) .....	11-1
11.1.3 Procedure after Replacing the Copyboard Glass (iR2020i/iR2016i) .....	11-1
11.2 Image Formation System .....	11-1
11.2.1 Procedure after Replacing the Developing Assembly .....	11-1
11.3 Electrical Components .....	11-1
11.3.1 Procedure after Replacing the Image Processor PCB (iR2020/iR2020J/iR2016/iR2016J).....	11-1
11.3.2 Procedure after Replacing the Image Processor PCB (iR2020i/iR2016i) .....	11-1
11.3.3 Procedure after Replacing the USB Memory (iR2020i/iR2016i) .....	11-2
11.3.4 Actions to Take before All Clearing (Backing up the User Data) .....	11-2



## 11.1 Scanning System

### 11.1.1 Procedure after Replacing the CIS (iR2020/iR2020J/iR2016/iR2016J)

iR2016J / iR2016 / iR2020 /

After replacing the contact image sensor (CIS), go through the following steps to perform inter-channel output correction:

1) Enter the service mode.

Sequentially press the User Mode key " $\text{ⓧ}$ ", 2 key, 8 key, and User Mode key " $\text{ⓧ}$ " on the operation panel.

2) Using the arrow keys on the operation panel, display "TEST MODE".

3) Press the OK key.

4) Press the 2 key. "SCAN TEST" appears.

5) Press the 1 key.

After completion of the above steps, contact sensor output correction will be performed and parameters will be set automatically.

### 11.1.2 Procedure after Replacing the CIS (iR2020i/iR2016i)

iR2016i / iR2020i

After replacing the contact image sensor (CIS), go through the following steps to perform inter-channel output correction:

1) Enter the service mode.

Sequentially press the Additional functions key, 2 key, 8 key, and Additional functions key on the operation panel.

2) Press the arrow key on the touch panel to display "TEST MODE".

3) Press [OK].

4) Press the [2] key to display "SCAN TEST".

5) Press the [1] key to display "SHADING".

6) Press [OK].

After completion of the above procedure, the contact sensor output is compensated and parameters are set automatically.

After completion of automatic adjustment, "OK" is displayed.

### 11.1.3 Procedure after Replacing the Copyboard Glass (iR2020i/iR2016i)

iR2016i / iR2020i

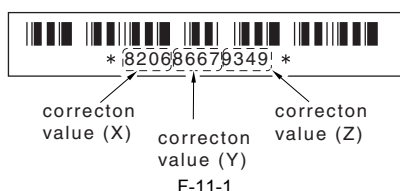
After replacing the copyboard glass, enter the correction values (X, Y, Z) of the standard white plate which are indicated on the back of the new copyboard glass in the service mode.

Correction value (X): Service mode>#SCAN>#SCAN NUMERIC>No.213

Correction value (Y): Service mode>#SCAN>#SCAN NUMERIC>No.214

Correction value (Z): Service mode>#SCAN>#SCAN NUMERIC>No.215

Also, rewrite the values on the service label.



F-11-1

## 11.2 Image Formation System

### 11.2.1 Procedure after Replacing the Developing Assembly

iR2016J / iR2016 / iR2020 / / iR2016i / iR2020i

<Going through the Developer Idling Mode>

⚠ After replacing the developing assembly, go through the following steps in the developing assembly idle rotation mode before installing the toner cartridge.

1) Plug the power cord into the outlet.

2) Open the front cover.

3) With the front cover open, turn on the main power switch.

4) When a message appears on the operation panel display, press the following keys to enter the service mode:

Additional Functions key > 2 key > 8 key > Additional Functions key

5) Select "#PRINT" using the + or - key, and then press the OK key.

6) Select "#PRINT SW" using the + or - key, and then press the OK key.

Confirm that the following message is displayed:

Message: #PRINT SW 001 00000000

7) Press the following keys and confirm the message:

# key > 1 key > 1 key

Message: #PRINT SW 011 00000000

8) Position the cursor to Bit-1 (second from right) using the + or - key, and press the 1 key, and then confirm the following message:

Message: #PRINT SW 011 00000010

9) Press the OK key. Confirm that "SW 011" changes to "SW 012".

Message: #PRINT SW 012 00000000

10) Press the Reset key to exit the service mode.

11) Close the front cover. The machine will run in the developer idling mode for about 1 minute.

12) When the machine stops, the idling mode ends.

Install the toner cartridge following the above-mentioned procedure.

## 11.3 Electrical Components

### 11.3.1 Procedure after Replacing the Image Processor PCB (iR2020/iR2020J/iR2016/iR2016J)

iR2016J / iR2016 / iR2020 /

If you have replaced the image processor PCB with a new one, perform the following operations:

- Using the service support tool, download the latest firmware (System/Boot).

- Input the all value printed on the service label affixed to the rear cover.

Make the following adjustments:

- Correction of output between CIS channels

1) Enter the service mode.

Sequentially press the User Mode key " $\text{ⓧ}$ ", 2 key, 8 key, and User Mode key " $\text{ⓧ}$ " on the operation panel.

2) Using the arrow keys on the operation panel, display "TEST MODE".

3) Press the OK key.

4) Press the 2 key. "SCAN TEST" appears.

5) Press the 1 key.

After completion of the above steps, contact sensor output correction will be performed and parameters will be set automatically.

- Read position adjustment (Stream reading: Only when the ADF is installed)

1) Enter the service mode.

Press the User Mode key " $\text{ⓧ}$ ", 2 key, 8 key, User Mode key " $\text{ⓧ}$ " on the operation panel of the host machine.

2) Using the arrow keys on the operation panel, display "TEST MODE".

3) Press the OK key.

4) Press the 2 key. "SCAN TEST" appears.

5) Press the 3 key. "SHEET POS ADJ" appears.

The optical system starts scanning. Several seconds later, automatic adjustment of the reading position finishes and "OK" appears.

⚠ If automatic adjustment fails, "NG" appears. Perform the following procedure:

Clean the white roller of the DADF and the document glass of the host machine, and then retry auto adjustment.

### 11.3.2 Procedure after Replacing the Image Processor PCB (iR2020i/iR2016i)

iR2016i / iR2020i

If you have replaced the image processor PCB with a new one, perform the following operations:

- Using the service support tool, download the latest firmware (System/Boot) and language files.

- Delete the languages not used at the destination (Service mode > CLEAR > FILE SYSTEM).

- Input the all value printed on the service label affixed to the rear cover.

Make the following adjustments:

- Correction of output between CIS channels

1) Enter the service mode.

Sequentially press the Additional functions key, 2 key, 8 key, and Additional functions key on the operation panel.

2) Press the arrow key on the touch panel to display "TEST MODE".

3) Press [OK].

4) Press the [2] key to display "SCAN TEST".

5) Press the [1] key to display "SHADING".

6) Press [OK].

After completion of the above procedure, the contact sensor output is compensated and parameters are set automatically.

After completion of automatic adjustment, "OK" is displayed.

- Read position adjustment (Stream reading: Only when the ADF is installed)

1) Enter the service mode.

Sequentially press the Additional functions key, 2 key, 8 key, and Additional functions key on the operation panel.

2) Press the arrow key on the touch panel to display "TEST MODE".

3) Press [OK].


4) Press the [2] key to display "SCAN TEST".

5) Press the [3] key to display "SHEET POS ADJ".

6) Press [OK].

The optical system starts scanning. Several seconds later, automatic adjust-

ment of the reading position finishes and "OK" appears.

 If automatic adjustment fails, "NG" appears. Perform the following procedure:

Clean the white roller of the DADF and the document glass of the host machine, and then retry auto adjustment.

### 11.3.3 Procedure after Replacing the USB Memory (iR2020i/iR2016i)

iR2016i / iR2020i

If you have replaced the USB with a new one, perform the following operations:

- Using the service support tool, download language files.
- Delete the languages not used at the destination (Service mode > CLEAR > FILE SYSTEM).

#### MEMO:

You also need to perform these operations after formatting the damaged USB memory.

### 11.3.4 Actions to Take before All Clearing (Backing up the User Data)

iR2016J / iR2016 / iR2020 / / iR2016i / iR2020i




- Performing the all-clear operation in the service mode (#CLEAR > ALL) erases/initializes the user data such as address data and user mode settings.

Be sure to back up the user data with the data export function before starting the all-clear operation, and then load the user data with the data import function.



- To export and import user data, a PC and a USB cable are required. Have them on hand.

#### a. Exporting user data

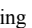

1) Output a user data list in the following user mode.

 > Report Setting > Print List > User Data List

2) Press the following keys to enter the service mode.

 > 2 key > 8 key > 



3) Select "#SYSTEM" using  or , and then press the OK.

4) Select "#SYSTEM SW" using  or , and then press the OK.

5) Press the following keys to display "SW003."

# > 0 key > 3 key

Message: #SYSTEM SW003 00001000

6) Position the cursor at Bit-6 (second from left) using  or , and then press the 1 key.

Message: #SYSTEM SW003 01001000

7) Press the OK key. Check that "SW003" changes to "SW004".

Message: #SYSTEM SW004 00000000

8) Press the Reset key to exit the service mode.

9) Turn off the main power switch, and then turn it on again.

10) Start the PC and connect it to this machine with a USB cable.

11) Open My Computer on the PC to check that the "Removable Disk" icon is displayed. If the "Removable Disk" icon is not displayed, repeat the above procedure starting with step 1.

12) Double-click the "Removable Disk" icon, and then copy the user data (address\_book.abk and user\_data.dat) onto the Desktop.

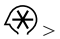

13) Close the window on the Desktop.

14) Turn off the main power switch of this machine.

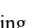

15) Disconnect the USB cable from this machine.

#### b. Importing user data

1) Press the following keys to enter the service mode.

 > 2 key > 8 key > 



2) Select "#SYSTEM" using  or , and then press the OK.

4) Select "#SYSTEM SW" using  or , and then press the OK.

5) Press the following keys to display "SW003".

# > 0 key > 3 key

Message: #SYSTEM SW003 00001000

5) Check that Bit-6 (second from left) is set to set to "1". If Bit-6 is not set to "1", position the cursor at this bit using  or  and then press the 1 key.

Message: #SYSTEM SW003 01001000

6) Press the OK key. Check that "SW003" changes to "SW004".

Message: #SYSTEM SW004 00000000

7) Press the Reset key to exit the service mode.

8) Turn off the main power switch, and then turn it on again.

9) Open My Computer on the PC to check that the "Removal Disk" icon is displayed.

11) Write the user data (address\_book.abk and user\_data.dat) copied onto the Desktop as described in "a. Exporting user data" over the removable disk.

12) Disconnect the USB cable from the machine.

13) Turn off the main power switch of the machine.

14) Perform steps 1) to 4) again to reset Bit-6 of "SW003" to "0".

15) Press the OK key. When "SW003" changes to "SW004", press the Reset key to exit the service mode.

16) Check the user data list output as described in "a. Exporting user data" to make sure that the user data has been loaded into the machine properly.







---

## Chapter 12 Correcting Faulty Images

---



---

# Contents

12.1 Making Initial Checks .....	12-1
12.1.1 Site Environment .....	12-1
12.1.2 Checking the Paper .....	12-1
12.1.3 Checking the Placement of Paper .....	12-1
12.1.4 Checking the Durables .....	12-1
12.1.5 Checking the Units and Functional Systems .....	12-1
12.1.6 Others .....	12-2
12.2 Outline of Electrical Components .....	12-2
12.2.1 Clutch/Solenoid .....	12-2
12.2.1.1 List of Clutches/Solenoids .....	12-2
12.2.2 Motor .....	12-2
12.2.2.1 List of Motors .....	12-2
12.2.3 Fan .....	12-3
12.2.3.1 List of Fans .....	12-3
12.2.4 Sensor .....	12-4
12.2.4.1 List of Sensors .....	12-4
12.2.5 Switch .....	12-6
12.2.5.1 List of Switches .....	12-6
12.2.6 Lamps, Heaters, and Others .....	12-6
12.2.6.1 List of Lamps, Heaters, and Others .....	12-6
12.2.7 PCBs .....	12-8
12.2.7.1 List of PCBs .....	12-8



## 12.1 Making Initial Checks

### 12.1.1 Site Environment

iR2016J / iR2016 / iR2020 / / iR2016i / iR2020i

- There must be a source of power whose voltage is as specified (+/-10%). The power plug must never be disconnected day and night.
- The machine must not be in an area subject to high humidity (near a water faucet, water boiler, humidifier). The site must not be too cold or subject to dust. The machine must not be near a source of fire.
- The site must not be subject to ammonium gas.
- The machine must not be exposed to the rays of the sun. As necessary, curtains must be provided.
- The area must be well ventilated. The machine must be on a level floor.
- Be sure that there is a source of power that can be used by the machine.

### 12.1.2 Checking the Paper

iR2016J / iR2016 / iR2020 / / iR2016i / iR2020i

- Be sure the paper being used is of a type recommended by Canon.
- Be sure that the paper is not moist. Try using paper fresh out of package.

### 12.1.3 Checking the Placement of Paper

iR2016J / iR2016 / iR2020 / / iR2016i / iR2020i

- There must be paper in the cassette or the tray deposited within a specific limit.
- If transparencies are used, be sure that they are placed in the manual feed tray in the correct orientation.

### 12.1.4 Checking the Durables

iR2016J / iR2016 / iR2020 / / iR2016i / iR2020i

Refer to the table of durables, and replace those that have reached the end of their lives.

### 12.1.5 Checking the Units and Functional Systems

iR2016J / iR2016 / iR2020 / / iR2016i / iR2020i

<Reader>

- Check whether the optical system (contact sensor/white panel/copyboard glass) is free from scratches, stain, foreign objects.
- Check whether the contact sensor unit moves smoothly. Check whether the rails are free from dirt.
- Check whether the contact sensor is not flickering.
- Check whether the optical system is free from dew condensation.

<Process>

- Check whether the drum unit and toner bottle are installed securely.
- Check whether the photoconductor drum is free from scratches and stain.

<Transfer>

- Check whether the transfer roller is free from scratches, stain, and deformation.

<Fixing>

- Check whether the fixing film and pressure roller are free from wear, scratches, dirt, and deformation.
- Check whether the fixing thermistor is broken.
- Check whether the thermo switch is conductive.

<Paper transport >

- Check whether the paper transport path is free from foreign objects such as paper chips.
- Check whether the paper pickup, feed, and separation rollers are free from paper dust. Also check whether these rollers are free from wear, scratches, dirt, and deformation.
- Check whether the registration roller and paper path are free from wear, scratches, dirt, and deformation.
- Check whether the transport guide is free from wear, scratches, dirt, and deformation.
- Check whether the leading edge of paper is not folded, curled, wavy, or damp.
- Check whether use of the Canon-recommended paper/transparency solves the problem.

<Machine>

- Check whether the drive system load is heavy.
- Check whether gears are worn or cracked?

<Cassette>

- Check whether the cassette is installed properly. Check whether the paper size is set properly. Check whether the same symptom occurs when the cassette is replaced with the cassette verified to be normal.
- Check whether the middle plate of the cassette moves smoothly. Check whether it is deformed.
- Check whether the side and rear alignment plates are adjusted properly.
- Check whether the cassette heater switch is turned on (when a cassette heater is installed).

<Service Mode>

- Check whether various adjustment values are the same as those printed on the service label.
- Check whether the output between CIS channels has been corrected.  
(Service mode>TEST MODE>"2"(SCANTEST)>"1")
- Check whether the read position has been adjusted properly. (Stream reading: Only when the ADF is installed)  
(Service mode>TEST MODE>"2"(SCANTEST)>"3"(SHEET POS ADJ))
- Check whether the error has been cleared.  
(Service mode>CLEAR>ERR)

<General>

- Check whether the power cord is plugged in the outlet securely.
- Check whether the specified AC voltage is applied to the outlet.
- Check whether sensors, clutches, motors, and solenoids are operating normally. Check whether connectors are connected properly. (Check the power supply and signal routes with reference to the general circuit diagram.)
- Check whether all cables are routed properly and all screws are not loose.
- Check whether all outer covers are attached.

- Check whether the main power switch and the power switch on the operation pane are turned on.
- Check the power cables and signal cables of options are connected properly.
- Check whether no fuse on PCBs is blown.
- Check whether the user uses the machine properly.

**12.1.6 Others**

iR2016J / iR2016 / iR2020 / / iR2016i / iR2020i

If a machine is brought from a cold to warm room, its inside can start to develop condensation, leading to various problems.

- condensation on the BD sensor is likely to cause problems associated with E100
- condensation on the dust-proof glass is likely to cause poor image density in sub scanning direction
- condensation on the contact sensor of the reader unit or on the copyboard glass can cause light images
- condensation on the pickup or feed guide can cause paper feed problems

If the problem given in d. above has occurred, dry wipe the units in the feed system. Do not open the package containing a toner cartridge, developing unit, or drum unit right after it has been brought in from a cold to warm place to avoid condensation. Be sure to leave it alone for a while (1 to 2 hr), opening it after it has become fully used to the temperature of the site.

**12.2 Outline of Electrical Components**

**12.2.1 Clutch/Solenoid**

**12.2.1.1 List of Clutches/Solenoids**

iR2016J / iR2016 / iR2020 / / iR2016i / iR2020i

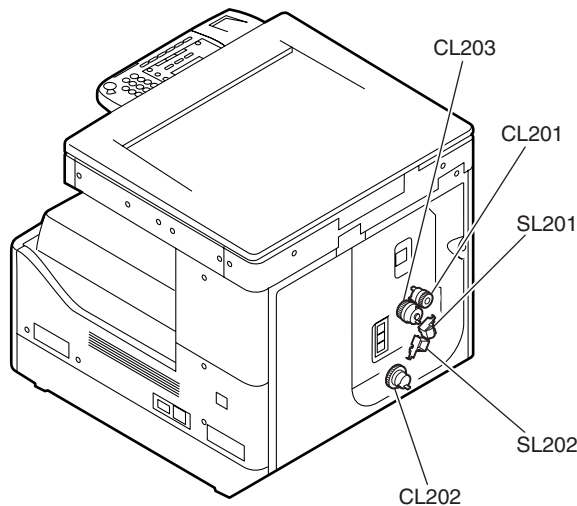
- <Reader Unit>  
The reader unit has no clutch/solenoid.
- <Printer Unit>

T-12-1

Symbol	Name	Function
CL201	Manual pickup clutch	Drives the manual pickup roller.
CL202	Cassette feed clutch	Drives the cassette feed roller.
CL203	Registration clutch	Drives the registration clutch.
SL201	Manual pickup solenoid	Drives the manual pickup roller.
SL202	Cassette 1 pickup solenoid	Drives the cassette 1 pickup roller.

T-12-2

Symbol	Part No.	DC controller PCB
CL201	FK2-1070	J219
CL202	FK2-1068	J211
CL203	FK2-1069	J210
SL201	FK2-1083	J219
SL202	FK2-1082	J209



F-12-1

**12.2.2 Motor**

**12.2.2.1 List of Motors**

iR2016J / iR2016 / iR2020 / / iR2016i / iR2020i

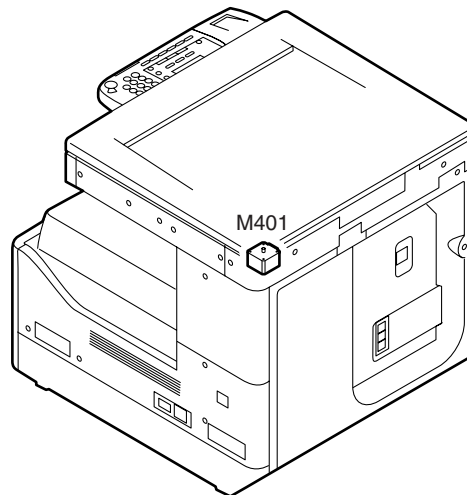
- <Reader Unit>

T-12-3

Symbol	Name	Function
M401	Reader motor	Drives the carriage.

T-12-4

Symbol	Part No.	Reader controller PCB	Error
M401	FK2-1066	J409	



F-12-2

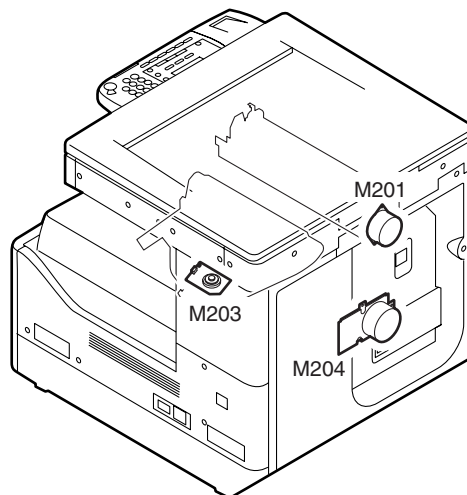
&lt;Printer Unit&gt;

T-12-5

Symbol	Name	Function
M201	Fixing motor	Drives the fixing unit.
M203	Polygon motor	Drives the laser scanner.
M204	Main motor	Drives the main parts of the printer.

T-12-6

Symbol	Part No.	DC controller PCB	Error
M201	FK2-1067	J202	E007, E808
M203	Scanner unit FM2-3383(iR2016J/2020J) FM2-3384(iR2016i/2016i/2020/2020i)	J205	
M204	FK2-1080	J208	E010



F-12-3

## 12.2.3 Fan

### 12.2.3.1 List of Fans

iR2016J / iR2016 / iR2020 / / iR2016i / iR2020i

&lt;Reader Unit&gt;

The reader unit has no fan.

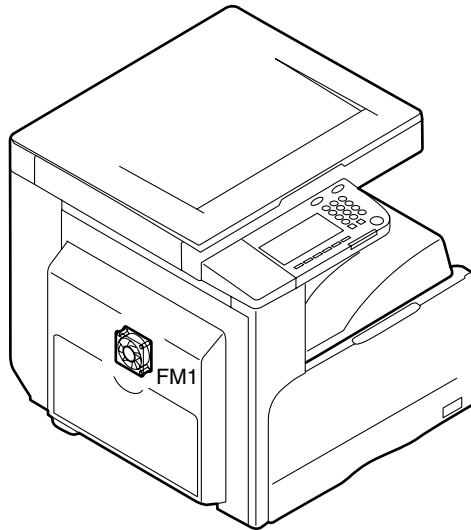
&lt;Printer Unit&gt;

T-12-7

Symbol	Name	Function
FM1	Heat discharge fan	Cools fixing unit.

T-12-8

Symbol	Part No.	DC controller PCB	Error
FM1	FK2-1073	J219	E805



F-12-4

## 12.2.4 Sensor

### 12.2.4.1 List of Sensors

iR2016J / iR2016 / iR2020 / / iR2016i / iR2020i

<Reader Unit>

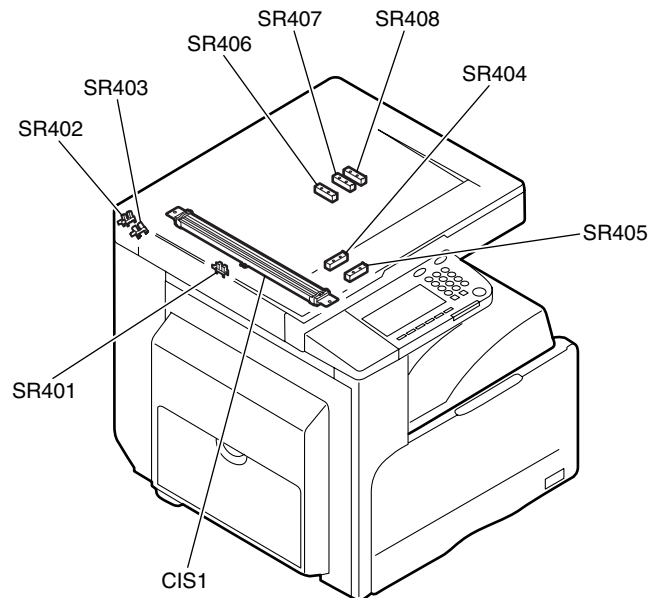
T-12-9

Symbol	Name	Function
SR401	CIS HP sensor	Detects the CIS home position.
SR402	Copyboard cover open/closed sensor (rear)	Detects opening/closing of the copyboard cover.
SR403	Copyboard cover open/closed sensor (front)	Detects opening/closing of the copyboard cover.
SR404	Original sensor 1	Detects the original size (AB, INCH/A, or INCH/AB).
SR405	Original sensor 2	Detects the original size (AB, A, or INCH/AB).
SR406	Original sensor 3	Detects the original size (all destinations).
SR407	Original sensor 4	Detects the original size (AB or INCH/AB).
SR408	Original sensor 5	Detects the original size (INCH/A).
CIS1	CIS	Reads the original.

T-12-10

Symbol	Part No.	Reader controller PCB	Jam code
SR401	WG8-5696	J406	
SR402	WG8-5696	J405	
SR403	WG8-5696	J405	000f
SR404	FH7-7569	J407	
SR405	FH7-7569	J407	
SR406	FH7-7569	J413	
SR407	FH7-7569	J413	
SR408	FH7-7569	J413	
CIS1	FM2-3369	J408	





F-12-5

&lt;Printer Unit&gt;

T-12-11

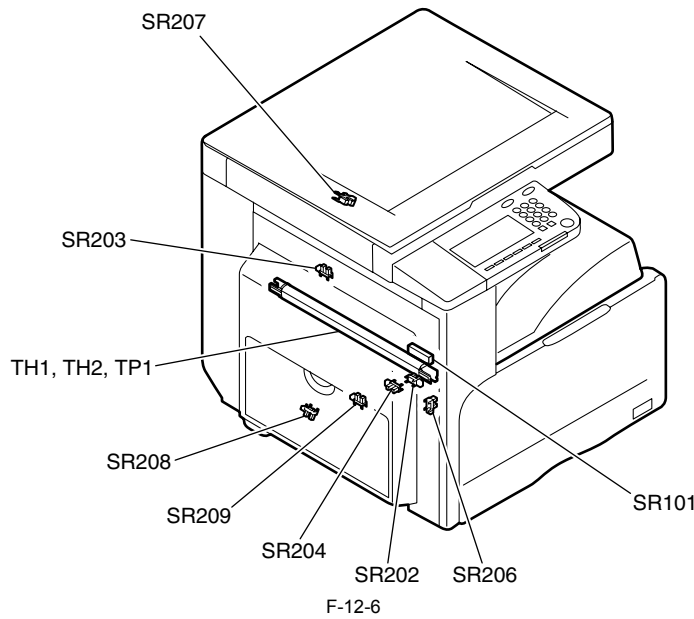
Symbol	Name	Function
SR101	Fixing film speed sensor	Detects the fixing film speed.
SR202	Fixing delivery sensor	Detects fixing delivery.
SR203	No.1 delivery sensor	Detects delivery.
SR204	Cassette 1 paper sensor	Detects presence/absence of cassette 1 paper.
SR206	Waste toner full detection sensor	Detects the waste toner full status.
SR207	No.1 paper full sensor	Detects the No.1 paper full status.
SR208	Manual paper sensor	Detects presence/absence of manually fed paper.
SR209	Registration sensor	Detects registration paper.
TH1	Fixing main thermistor	Detects the fixing heater temperature.
TH2	Fixing sub thermistor	Detects the fixing heater temperature.
TP1	Thermo switch	Cuts off the heater power supply line when an abnormal temperature is detected.

T-12-12

Symbol	Part No.	DC controller PCB	Jam code
SR201	FG3-3501	J217	
SR202	WG8-5696	J217	010c, 0210, 0214, 1118
SR203	WG8-5696	J221	010c, 0210, 0214, 1118
SR204	WG8-5696	J213	
SR206	WG8-5696	J216	
SR207	WG8-5696	J201	
SR208	WG8-5696	J219	
SR209	WG8-5696	J212	0104, 0208, 010c, 0214, 1118

T-12-13

Symbol	Part No.	DC controller PCB	Power supply PCB
TH1, TH2	Fixing film unit	J217	
TP1	FM2-3346(120V) FM2-3353(230V)		J13



**12.2.5 Switch**

**12.2.5.1 List of Switches**

iR2016J / iR2016 / iR2020 / / iR2016i / iR2020i

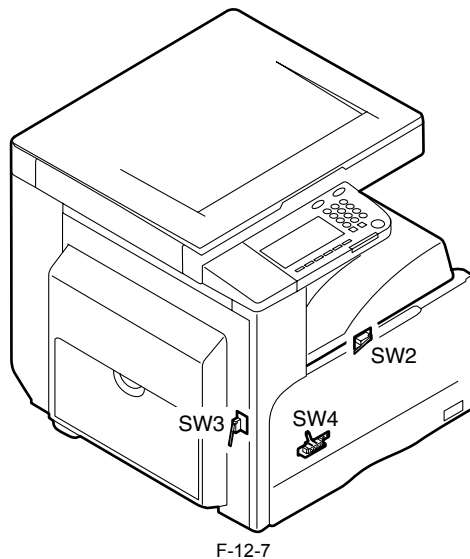
<Reader Unit>  
The reader unit has no switch.  
<Printer Unit>

T-12-14

Symbol	Name	Function
SW2	Front cover switch	Detects opening/closing of the front cover.
SW3	Left door switch	Detects opening/closing of the left door.
SW4	Cassette 1 size detection switch	Detects the cassette 1 paper size.

T-12-15

Symbol	Part No.	DC controller PCB	Power supply PCB
SW2	FM2-4433		J12
SW3	FM2-4433		J12
SW4	WC2-5332	J213	



**12.2.6 Lamps, Heaters, and Others**

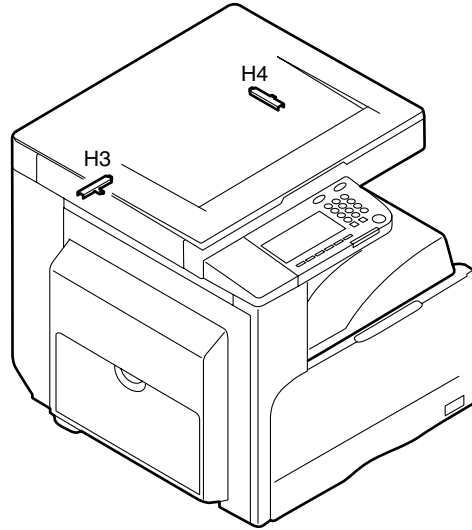
**12.2.6.1 List of Lamps, Heaters, and Others**

iR2016J / iR2016 / iR2020 / / iR2016i / iR2020i

<Reader Unit>

T-12-16

Symbol	Name	Part No.	Function
H3	Reader heater (left)	NPN	Prevents dew condensation on the ADF reading glass.
H4	Reader heater (right)	NPN	Prevents dew condensation on the copyboard glass.



F-12-8

<Printer unit>

T-12-17

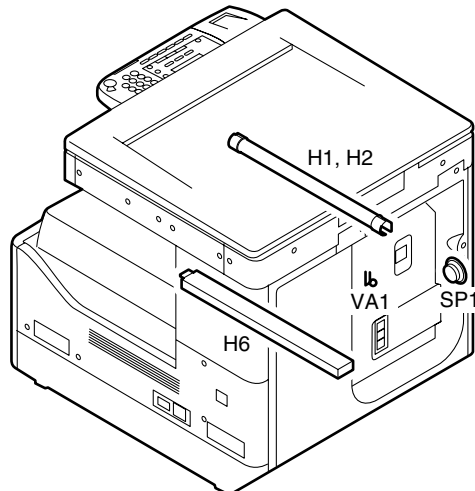
Symbol	Name	Function
H1	Fixing main heater	Used as the main heater for fixing.
H2	Fixing sub heater	Used as the sub heater for fixing.
H6	Cassette heater	Prevents paper in the cassette from absorbing moisture.
VA1	Varistor	Used as a varistor.
SP1	Speaker	Used as a speaker (for fax unit).

T-12-18

Symbol	Part No.
H1,H2	Fixing film unit FM2-3346(120V) FM2-3353(230V)
H6	FK2-1146(100V) FK2-1088(230V)

T-12-19

Symbol	Part No.	Modem PCB
VA1	FH5-3543	
SP1	FK2-1265	J1203



F-12-9

## 12.2.7 PCBs

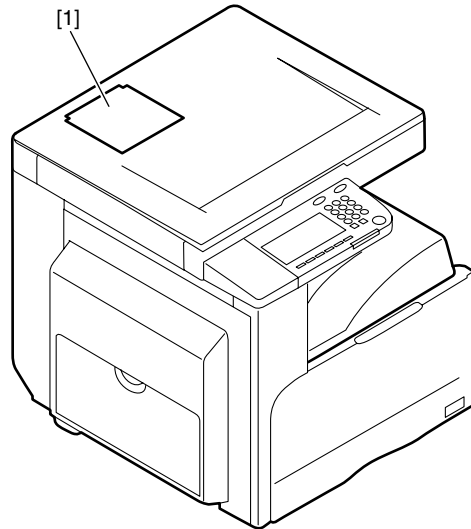
## 12.2.7.1 List of PCBs

iR2016J / iR2016 / iR2020 / / iR2016i / iR2020i

&lt;Reader Unit&gt;

T-12-20

Symbol	Name	Part No.	Function
[1]	Reader controller PCB	FM2-4019	controls the reader unit/ADF

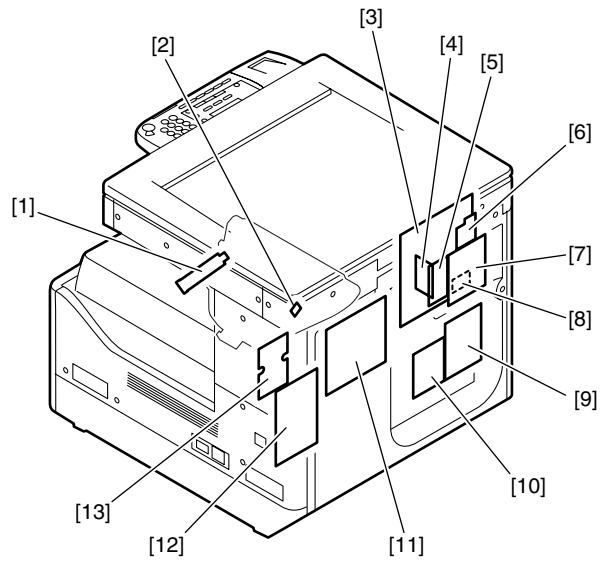


F-12-10

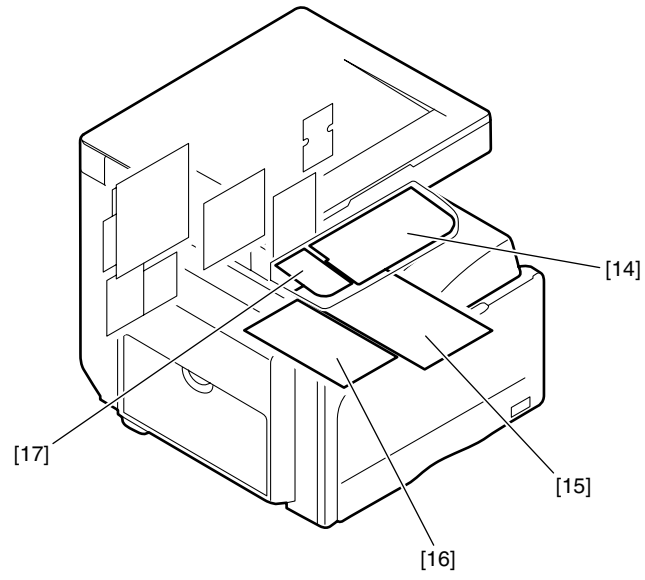
&lt;Printer unit&gt;

T-12-21

Symbol	Name	Part No.	Function
[1]	Laser driver PCB	Scanner unit	controls the laser unit drive
[2]	BD PCB	FM2-3383(iR2016J/2020J) FM2-3384(iR2016/2016i/2020/ 2020i)	generates the BD signal
[3]	Image processor PCB	FM2-4054	processes output image data for the printer unit
[4]	128MB RAM(standard)/ 256MB RAM(option)	FM2-4055(128MB RAM)/FM2- 4056(256MB RAM)	temporarily retains image data
[5]	LAN PCB	FM2-4058	network interface/printer function control
[6]	Serial interface PCB	FM2-4062	coin vendor interface
[7]	Modem PCB	FM2-4057	control the fax
[8]	PCL PCB	FM2-4061	PCL function control
[9]	NCU PCB	FM2-2790	controls the line switching operation
[10]	modular PCB	FM2-4777(120V) FM2-4772(230V)	fax line interface
[11]	DC controller PCB	FM2-4023(KQW) FM2-4024(KQY/KQX/KQZ) FM2-4014(KRE/KRL) FM2-4015(KRJ/KRC/KRK/KRE) FM2-4026(KRM/KRU) FM2-4016(KRR/KRU) FM2-4017(KRS/KRP/KRQ/KRT)	controls the printer unit/option
[12]	Option power supply PCB	FK2-1085(120V) FK2-1086(230V)	Option power supply
[13]	Heater PCB	FM2-4021	heater power switch
[14]	Operation panel PCB	Operation panel unit FK2-1141(KQW/KQY/KRM) FK2-1140(KQX) FK2-1604(KQZ/KRN) FK2-1137(KRE/KRJ/KRC/KRR/ KRS/KRQ) FK2-1056(KRE/KRP)FK2- 1601(KRK/KRT) FK2-1602(KRL/KRU)	controls the operation panel
[15]	Power supply PCB	FK2-1074(120V) FK2-1075(230V)	printer power supply
[16]	HVT PCB	FM2-4018	high-voltage power supply
[17]	FAX PANEL PCB	FM2-4398	control the fax panel



F-12-11



F-12-12



---

## Chapter 13 Self Diagnosis

---





---

# Contents

13.1 Error Code Table.....	13-1
13.1.1 List of Error Codes.....	13-1
13.2 Error Code Details .....	13-1
13.2.1 Error Code Details .....	13-1
13.3 Jam Code.....	13-3
13.3.1 Jam Codes (Related to Printer Unit).....	13-3
13.3.2 Jam Codes (Related to Finisher).....	13-3
13.3.3 Jam Codes (Related to ADF).....	13-4
13.3.4 Jam Codes (Related to Duplex Unit).....	13-4
13.3.5 Jam Codes (Related to Inner 2-way Tray).....	13-4
13.4 Finisher Error Codes .....	13-4
13.4.1 Error Code Details .....	13-4
13.5 FAX Error Codes .....	13-8
13.5.1 Outline.....	13-8
13.5.1.1 Error Code Outline.....	13-8
13.5.2 User Error Code .....	13-8
13.5.2.1 User Error Code .....	13-8
13.5.3 Service Error Code.....	13-8
13.5.3.1 Service Error Code.....	13-8



## 13.1 Error Code Table

### 13.1.1 List of Error Codes

iR2016J / iR2016 / iR2020 / / iR2016i / iR2020i

T-13-1

Error Code	Detail Code	Error Name/Explanation of Error
E000	0000	Fixing temperature abnormal rise
E001	0000	Fixing unit temperature rise detection (by main thermistor)
	0001	Fixing unit temperature rise detection (by sub thermistor)
E002	0000	Fixing unit temperature insufficient rise
E003	0000	Low fixing temperature detection after standby (by main thermistor)
	0001	Low fixing temperature detection after standby (by sub thermistor)
E007	0000	Fixing film rotation error
E010	0000	Main motor rotation error
E019	0001	Waste toner full detection
	0002	Waster toner full detection sensor failure
E052	0000	Duplex unit connection error
E100	0000	BD cycle out of range
E197	0000	Erroneous communication with printer engine
E500	0001	Finisher communication error
E520	0000	Offset error
E531	0000	Stapling error
E540	0001	Paper surface not detected (standard tray)
	0002	Not moved within the specified time (standard tray)
	0003	Sensor not reached within 3 seconds (standard tray)
	0005	Encoder clock failure (standard tray)
E542	0001	Paper surface not detected (optional tray)
	0002	Not moved within the specified time (optional tray)
	0003	Sensor not reached within 3 seconds (optional tray)
	0005	Encoder clock failure (optional tray)
E575	0000	Stack delivery error
E584	0000	Shutter failure
E716	0000	Erroneous communication with optional cassette
E719	0000	Erroneous communication with card reader (serial communication)
	0002	Erroneous communication with coin vender (serial communication)
E733	0000	Erroneous communication between controller and printer
E736	0000	CCU communication error
E739	0000	Erroneous communication between controller and network board
E744	0001	Language file/boot ROM/USB memory error
	0002	
	0003	
	0004	
E805	0000	Fan failure
E808	0000	Fixing drive circuit failure

## 13.2 Error Code Details

### 13.2.1 Error Code Details

iR2016J / iR2016 / iR2020 / / iR2016i / iR2020i

#### MEMO:

In case of iR2020i/iR2016i, the detail code of the error code of this machine can be confirmed in the following service mode.  
Service mode>ERROR DISPLAY

T-13-2

Display Code	Detail Code	Main Cause/Symptom	Countermeasure
E000	0000	Startup error	
		The temperature detected by the main or sub thermistor does not rise to the specified value during startup control.	<ul style="list-style-type: none"> <li>- Check the fixing film connector.</li> <li>- Replace the fixing film unit.</li> <li>- Replace the DC controller PCB.</li> </ul>

Display Code	Detail Code	Main Cause/Symptom	Countermeasure
E001	0000	Abnormally high temperature (detected by main thermistor)	
		The main thermistor detected an abnormally high temperature (240 deg C) during temperature control.	- Check the connector of the fixing film unit. - Replace the fixing film unit. - Replace the DC controller PCB.
	0001	Abnormally high temperature (detected by sub thermistor)	
		The sub thermistor detected an abnormally high temperature (295 deg C) during temperature control.	- Check the connector of the fixing film unit. - Replace the fixing film unit. - Replace the DC controller PCB.
E002	0000	Low temperature during temperature control.	
		The target temperature is not reached during temperature control.	- Check the connector of the fixing film unit. - Replace the fixing film unit. - Replace the DC controller PCB.
E003	0000	Abnormally low temperature (detected by main thermistor)	
		After the temperature detected by the main thermistor has reached the specified value, it does not reach the specified value during initial rotation.	- Check the connector of the fixing film unit. - Replace the fixing film unit. - Replace the DC controller PCB.
	0001	Abnormally low temperature (detected by sub thermistor)	
		After the temperature detected by the sub thermistor has reached the specified value, it does not reach the specified value during initial rotation.	- Check the connector of the fixing film unit. - Replace the fixing film unit. - Replace the DC controller PCB.
E007	0000	Fixing film sensor failure	
		The fixing film sensor is faulty.	- Check the connector of the fixing film sensor. - Replace the fixing film sensor. - Replace the DC controller PCB.
E010	0000	Main motor failure	
		The main motor is faulty.	- Check the connector of the main motor. - Replace the main motor. - Replace the DC controller PCB.
E019	0000	Waste toner full detection	
		The waste toner full state was detected.	Replace the drum unit.
	0001	Waster toner full detection sensor is faulty.	
		The waste toner full state was detected continuously for five or more seconds while the main motor was turning.	- Check the connector of the waster toner full sensor. - Replace the waste toner full sensor. - Replace the DC controller PCB.
E052	0000	Erroneous connection to duplex unit	
		Disconnection of the duplex unit was detected after power-on, detection of normal connection to the duplex unit, and start of communication.	- Check the connectors of the duplex unit and DC controller PCB. - Replace the duplex controller PCB. - Replace the DC controller PCB.
E100	0000	BD detection PCB failure	
		The BD detection PCB is faulty.	- Check the connector of the BD detection PCB. - Replace the laser scanner unit. - Replace the DC controller PCB.
E197	0000	Printer engine communication error	
		Erroneous communication between the DC controller PCB and image processor PCB was detected.	- Check the connectors of the DC controller PCB and image processor PCB. - Replace the DC controller PCB for normal connection. - Replace the image processor PCB.
E716	0000	Erroneous communication with optional cassette	
		Disconnection of the optional cassette was detected after power-on, detection of normal connection to the optional cassette, and start of communication.	- Check the connectors of the optional cassette PCB and DC controller PCB. - Replace the optional cassette PCB for normal connection. - Replace the DC controller PCB.
E719	0000	Erroneous communication with card reader (serial communication)	
		- Disconnection from the card reader has been detected since communication started after confirmation of normal connection to the card reader (after power-on). - A serial communication error has occurred. (The serial communication error cannot be recovered.)	- Check the connectors of the card reader and image processor PCB. - Replace the card reader for normal connection. - Replace the image processor PCB.
	0002	Erroneous communication with coin vendor (serial communication)	
		- Disconnection from the coin vendor has been detected since communication started after confirmation of normal connection to the coin vendor (after power-on). - A serial communication error has occurred. (The serial communication error cannot be recovered.)	- Check the connection between the image processor PCB and serial PCB. - Check the connectors of the serial PCB and coin vendor for normal connection. - Replace the serial PCB. - Check the coin vendor. - Replace the image processor PCB.

Display Code	Detail Code	Main Cause/Symptom	Countermeasure
E733	0000	Erroneous communication between controller and printer Cannot communicate with the printer at startup.	- Check the connectors of the DC controller PCB and image processor PCB for normal connection. - Check the power supply of the printer (Check whether initialization is performed at startup). - Replace the DC controller PCB or image processor PCB.
E736	0000	CCU communication error The installed modem PCB is incompatible.	- Check the connectors of the image processor PCB and modem. - Replace the modem PCB. - Replace the image processor PCB.
E739	0000	Erroneous communication between controller and network board The installed network board is incompatible.	- Check the connectors of the image processor PCB and LAN PCB for normal connection. - Replace the LAN PCB. - Replace the image processor PCB.
E744		Language file/boot ROM/USB memory error	
	0001	The language file version does not match Bootable.	Download a language file of the correct version.
	0002	The language file is longer than the permitted size.	Download a language file of the correct version.
	0003	The language file version does not match Bootable.	Download a language file of the correct version.
	0004	Language file read error	Download a language file of the correct version.
E805	0000	Fan failure The fan is faulty.	- Check the fan connector. - Replace the fan. - Replace the DC controller PCB.
E808	0000	Fixing drive circuit failure - The heater does not turn on. - A fixing drive motor failure was detected.	- Check the connector of the fixing film unit. - Replace the fixing film unit. - Replace the fixing drive motor. - Replace the DC controller PCB. - Replace the power supply PCB.

## 13.3 Jam Code

### 13.3.1 Jam Codes (Related to Printer Unit)

iR2016J / iR2016 / iR2020 / / iR2016i / iR2020i

T-13-3

Code	Name	Sensor No.	Description
0104	Delay jam in paper pickup section	SR209	The registration sensor cannot detect the leading edge of paper from the moment paper pickup starts to the moment the jam detection time is reached.
0208	Stationary jam in paper pickup section	SR209	The registration sensor cannot detect the no paper status specified time before the leading edge of the picked up paper reaches this sensor.
010c	Delay jam in deliver section	SR202, SR203, SR209	- The fixing delivery sensor cannot detect presence of paper within the specified time after turning on of the registration clutch. - The fixing delivery sensor detected absence of paper within the specified time after the sensor had detected presence of paper within the specified time after turning on of the registration clutch. - The No.1 delivery sensor cannot detect presence of paper within the specified time after turning on of the fixing delivery sensor.
0210	Stationary jam in delivery section	SR202, SR203	- The fixing delivery sensor cannot detect absence of paper within the specified time after turning off of the registration clutch. - The fixing delivery sensor cannot detect absence of paper within the specified time after the sensor detected the leading edge of paper. - The No.1 delivery sensor cannot detect absence of paper within the specified time after the sensor detected the leading edge of paper.
0214	Stationary jam in machine	SR202, SR203, SR209	Paper was detected in the paper transport path during initial rotation, during automatic delivery, at the end of cleaning, or at reception of an emergency stop command.
1118	Door open jam	SR202, SR203, SR209, SW2, SW3	The door was opened when there was printing paper in the transport path.

### 13.3.2 Jam Codes (Related to Finisher)

iR2016J / iR2016 / iR2020 / / iR2016i / iR2020i

T-13-4

Code	Name	Sensor No.	Description
0130	Delayed feed jam	PI5	The inlet sensor is not turned on within the specified time after reception of a paper ejection signal from the host machine.
0231	Staying paper jam	PI5	The inlet sensor is not turned off even if paper is fed by the specified distance after the leading edge of the paper from the host machine has passed through the sensor.
0033	Stack ejection jam	PI1	When a paper stack is ejected, the HP sensor is not turned off within the specified time.
0035	Staple jam	Stapler HP sensor (built in stapler)	The stapler HP sensor was turned off once after start of stapler operation, but the HP has not been reached within the specified time.
1036	Power-on jam	PI5	The inlet sensor detected paper at power-on.
1137	Door open jam	SW1	The front cover switch detected opening of the front cover during standby or copy operation.

### 13.3.3 Jam Codes (Related to ADF)

iR2016J / iR2016 / iR2020 / / iR2016i / iR2020i

T-13-5

Code	Name	Sensor No.	Description
0000	Unknown jam	-	Other errors
0007	Initial stationary	PI6,PI7,PI8	Paper is detected in the transport path before the DADF starts initial operation.
0008	Read sensor delay	PI7,PI8	The read sensor does not detect paper when the paper has been fed by the predetermined distance since reception of a pickup request.
0009	Read sensor stationary	PI7	The trailing edge of paper is not detected when the paper has been fed by the predetermined distance since detection of it by the read sensor.
000a	Paper absence (Pull out the document.)	PI11	The Document set sensor has been held off since start of pickup.
000c	Delivery reversal sensor delay	PI6,PI7	The delivery reversal sensor does not detect paper since the paper has been fed by the predetermined distance since the read sensor was turned on.
000d	Delivery reversal sensor stationary	PI6	The trailing edge of paper is not detected when the paper has been fed by the predetermined distance since the delivery reversal sensor detected the paper.
000e	ADF cover open	PI10	The feeder cover was opened during operation (of the drive system).
000f	User ADF open	sensor of the reader unit	The ADF was opened during operation (of the drive system).
0010	Pickup NG	-	The registration sensor has been held off since paper pickup started.

### 13.3.4 Jam Codes (Related to Duplex Unit)

iR2016J / iR2016 / iR2020 / / iR2016i / iR2020i

T-13-6

Code	Name	Sensor No.	Description
0120	Delay jam at duplex paper sensor 1	SR1002	The duplex paper sensor 1 does not turn on within the specified time after the delivery sensor on the main unit side turns on.
0124	Delay jam at duplex paper sensor 2	SR1003	The duplex paper sensor 2 does not turn on within the specified time after the duplex reverse motor starts.
0221	Stationary jam at duplex paper sensor 1	SR1002	- The duplex paper sensor 1 does not turn off when the specified time has lapsed since the duplex paper sensor 2 turned on. - The duplex paper sensor 1 does not turn off when the paper with a longitudinal length of 280 mm reaches the standby position (about 90 mm from the duplex paper sensor 2).
0228	Stationary jam at duplex paper sensor 2	SR1003	The duplex paper sensor 2 does not turn off when the specified time has lapsed since the feed motor started.

### 13.3.5 Jam Codes (Related to Inner 2-way Tray)

iR2016J / iR2016 / iR2020 / / iR2016i / iR2020i

T-13-7

Code	Name	Sensor No.	Description
010e	Delay jam at No.2 delivery section	SR1101	The No.2 delivery sensor does not detect presence of paper within the specified time after turning on of the fixing delivery sensor.
0212	Stationary jam at No.2 delivery section	SR1101	Absence of paper is not detected within the specified time after turning on of the No.2 delivery sensor.

## 13.4 Finisher Error Codes

### 13.4.1 Error Code Details

iR2016J / iR2016 / iR2020 / / iR2016i / iR2020i

T-13-8

Display code	Detail Code	Main Cause/Symptom	Countermeasure
E500	0001	Finisher communication error	
		Data communication could not be performed normally. It has been retried three times in vain.	<ul style="list-style-type: none"> <li>- Check the connectors of the finisher controller PCB and DC controller PCB for normal connection.</li> <li>- Replace the finisher controller PCB.</li> <li>- Replace the DC controller PCB.</li> </ul>
E520	0001	<ul style="list-style-type: none"> <li>- Offset motor or finisher controller PCB failure</li> <li>- Offset HP sensor failure</li> </ul>	
		<ul style="list-style-type: none"> <li>- The offset motor was driven for 1000 ms in the HP sensor approach direction, but the offset HP sensor did not turn on.</li> </ul>	<ul style="list-style-type: none"> <li>- Check the connector of the offset HP sensor.</li> <li>- Check the connector of the offset motor.</li> <li>- Replace the offset HP sensor.</li> <li>- Replace the offset motor.</li> <li>- Replace the finisher controller PCB.</li> </ul>
	0002	<ul style="list-style-type: none"> <li>- Offset motor or finisher controller PCB failure</li> <li>- Offset HP sensor failure</li> </ul>	
		<ul style="list-style-type: none"> <li>- The offset motor was driven for 1000 ms in the HP sensor escape direction, but the offset HP sensor did not turn off.</li> </ul>	<ul style="list-style-type: none"> <li>- Check the connector of the offset HP sensor.</li> <li>- Check the connector of the offset motor.</li> <li>- Replace the offset HP sensor.</li> <li>- Replace the offset motor.</li> <li>- Replace the finisher controller PCB.</li> </ul>
E531	0001	<ul style="list-style-type: none"> <li>- Staple unit failure</li> <li>- Staple HP sensor failure</li> <li>- Finisher controller PCB failure</li> </ul>	
		<ul style="list-style-type: none"> <li>- The staple home position was not left when 400 ms have lapsed since start of staple operation.</li> </ul>	<ul style="list-style-type: none"> <li>- Check the connector of the staple unit.</li> <li>- Replace the staple unit.</li> <li>- Replace the finisher controller PCB.</li> </ul>
	0002	<ul style="list-style-type: none"> <li>- Staple unit failure</li> <li>- Staple HP sensor failure</li> <li>- Finisher controller PCB failure</li> </ul>	
		<ul style="list-style-type: none"> <li>- The staple home position had been left once, but it was not reached again when 400 ms have lapsed since start of staple operation. In addition, the staple home position could not be reached by performing reverse operation for 400 ms.</li> </ul>	<ul style="list-style-type: none"> <li>- Check the connector of the staple unit.</li> <li>- Replace the staple unit.</li> <li>- Replace the finisher controller PCB.</li> </ul>

Display code	Detail Code	Main Cause/Symptom	Countermeasure
E540	0001	- Standard tray shift motor or finisher controller PCB failure - Standard tray HP sensor failure - Standard tray clock sensor failure - Standard tray shift motor load failure	
		The standard tray was moved but the paper surface was not detected.	- Check the connector of the standard tray HP sensor. - Check the connector of the standard tray clock sensor. - Check the connector of the standard tray shift motor. - Replace the standard tray HP sensor. - Replace the standard tray clock sensor. - Replace the standard tray shift motor. - Replace the finisher controller PCB.
	0002	- Standard tray shift motor or finisher controller PCB failure - Standard tray HP sensor failure - Standard tray clock sensor failure - Standard tray shift motor load failure	
		Cannot move (to the pickup position) within the specified time.	- Check the connector of the standard tray HP sensor. - Check the connector of the standard tray clock sensor. - Check the connector of the standard tray shift motor. - Replace the standard tray HP sensor. - Replace the standard tray clock sensor. - Replace the standard tray shift motor. - Replace the finisher controller PCB.
	0003	- Standard tray shift motor or finisher controller PCB failure - Standard tray HP sensor failure - Standard tray clock sensor failure - Standard tray shift motor load failure	
		The standard tray was operated, but it did not reach the sensor within 300 ms.	- Check the connector of the standard tray HP sensor. - Check the connector of the standard tray clock sensor. - Check the connector of the standard tray shift motor. - Replace the standard tray HP sensor. - Replace the standard tray clock sensor. - Replace the standard tray shift motor. - Replace the finisher controller PCB.
	0005	- Standard tray shift motor or finisher controller PCB failure - Standard tray HP sensor failure - Standard tray clock sensor failure - Standard tray shift motor load failure	
		The encoder clock signal was not detected two or more times when the standard tray was operated for 300 ms.	- Check the connector of the standard tray HP sensor. - Check the connector of the standard tray clock sensor. - Check the connector of the standard tray shift motor. - Replace the standard tray HP sensor. - Replace the standard tray clock sensor. - Replace the standard tray shift motor. - Replace the finisher controller PCB.



Display code	Detail Code	Main Cause/Symptom	Countermeasure	
E542	0001	- Optional tray motor or finisher controller PCB failure - Optional tray HP sensor failure - Optional tray clock sensor failure - Optional tray shift motor load failure		
		The optional tray was operated, but the paper surface was not detected.	- Check the connector of the optional tray HP sensor. - Check the connector of the optional tray clock sensor. - Check the connector of the optional tray shift motor. - Replace the optional tray HP sensor. - Replace the optional tray clock sensor. - Replace the optional tray shift motor. - Replace the finisher controller PCB.	
	0002	- Optional tray motor or finisher controller PCB failure - Optional tray HP sensor failure - Optional tray clock sensor failure - Optional tray shift motor load failure		
		Cannot move (to the pickup position) within the specified time.	- Check the connector of the optional tray HP sensor. - Check the connector of the optional tray clock sensor. - Check the connector of the optional tray shift motor. - Replace the optional tray HP sensor. - Replace the optional tray clock sensor. - Replace the optional tray shift motor. - Replace the finisher controller PCB.	
	0003	- Optional tray motor or finisher controller PCB failure - Optional tray HP sensor failure - Optional tray clock sensor failure - Optional tray shift motor load failure		
		- The optional tray was moved upward, but it did not reach the HP sensor within 3000 ms.	- Check the connector of the optional tray HP sensor. - Check the connector of the optional tray clock sensor. - Check the connector of the optional tray shift motor. - Replace the optional tray HP sensor. - Replace the optional tray clock sensor. - Replace the optional tray shift motor. - Replace the finisher controller PCB.	
	0005	- Optional tray motor or finisher controller PCB failure - Optional tray HP sensor failure - Optional tray clock sensor failure - Optional tray shift motor load failure		
		- The encoder clock signal was not detected two or more times when the optional tray was operated for 300 ms.	- Check the connector of the optional tray HP sensor. - Check the connector of the optional tray clock sensor. - Check the connector of the optional tray shift motor. - Replace the optional tray HP sensor. - Replace the optional tray clock sensor. - Replace the optional tray shift motor. - Replace the finisher controller PCB.	
	E575	0001	- Stack delivery motor or finisher controller PCB failure - Stack delivery HP sensor failure	
			- The stack delivery motor was driven for 2000 ms in the stack delivery direction (HP sensor approach direction), but the stack delivery HP sensor did not turn on.	- Check the connector of the stack delivery HP sensor. - Check the connector of the stack delivery motor. - Check the connector of the stack delivery HP sensor. - Replace the stack delivery motor. - Replace the finisher controller PCB.
		0002	- Stack delivery motor or finisher controller PCB failure - Stack delivery HP sensor failure	
			- The stack delivery motor was driven for 2000 ms in the HP sensor escape direction, but the stack delivery HP sensor did not turn off.	- Check the connector of the stack delivery HP sensor. - Check the connector of the stack delivery motor. - Check the connector of the stack delivery HP sensor. - Replace the stack delivery motor. - Replace the finisher controller PCB.

Display code	Detail Code	Main Cause/Symptom	Countermeasure
E584	0001	- Shutter drive motor or finisher controller PCB failure - Shutter open detection sensor failure - Shutter clutch failure	
		- The shutter open sensor did not turn on when 1000 ms have lapsed since the shutter unit had performed open operation, resulting in incomplete open operation.	- Check the connector of the shutter open sensor. - Check the connector of the shutter clutch. - Check the connector of the shutter motor. - Replace the shutter open sensor. - Replace the shutter clutch. - Replace the shutter drive motor. - Replace the finisher controller PCB.
	0002	- Shutter drive motor or finisher controller PCB failure - Shutter open detection sensor failure - Shutter clutch failure	
		- The shutter open sensor did not turn off when 1000 ms have lapsed since the shutter unit had performed close operation, resulting in incomplete close operation.	- Check the connector of the shutter open sensor. - Check the connector of the shutter clutch. - Check the connector of the shutter motor. - Replace the shutter open sensor. - Replace the shutter clutch. - Replace the shutter drive motor. - Replace the finisher controller PCB.

## 13.5 FAX Error Codes

### 13.5.1 Outline

#### 13.5.1.1 Error Code Outline

iR2016J / iR2016 / iR2020 / / iR2016i / iR2020i

An error code is used to indicate a fault in a machine, and is indicated in the machine's LCD or reports, showing the nature (symptoms) of the fault. Using the error code, the user or the service man can readily find out how to correct the fault by simply referring to the User's Manual or service manual.

An error code may be either of the following two types:

#### User Error Codes

A fault indicated as a user error code is one that can easily be corrected by the user, as by operating the machine. It takes the form of "#+number."

#### Service Error Codes

If a fault calls for a service man for correction, it is indicated as a service man error code in the form of "##+number" or "SYSTEM ERROR E+number."

#### Memo

A service error code expressed in the form of "##+number" will not appear on the LCD, Error Tx Report, or Activity Report while the machine remains in factory default state. To check a service error code, shift bit 0 of service soft switch #1 SSSW SW01 to '1'.

#### Memo

Display only the error codes which are newly incorporated in this machine as well as which require remedies unique to the product. For the causes and countermeasures of other error codes, refer to the separate G3/G4 Facsimile Error Code List (Rev. 2).

### 13.5.2 User Error Code

#### 13.5.2.1 User Error Code

iR2016J / iR2016 / iR2020 / / iR2016i / iR2020i

T-13-9

No.	Tx/Rx	Description
#0001	[Tx]	an original has jammed.
#0003	[Tx/Rx]	time-out for copying or sending/receiving a single page has occurred.
#0005	[Tx/Rx]	time-out for initial identification (T0/T1) has occurred.
#0009	[Rx]	recording paper has jammed or is absent.
#0012	[Tx]	recording paper is absent at the other party.
#0018	[Tx/Rx]	auto call initiation has failed.
#0037	[Rx]	image memory overflow at time of reception has occurred.
#0059	[Tx]	The number you dial and connected number (CSI) does not match.
#0995/0099	[Tx/Rx]	a memory communication reservation has been cancelled.

### 13.5.3 Service Error Code

#### 13.5.3.1 Service Error Code

iR2016J / iR2016 / iR2020 / / iR2016i / iR2020i

T-13-10

No.	Tx/Rx	Description
##0100	[Tx]	at time of transmission, the procedural signal has been transmitted more than specified.
##0101	[Tx/Rx]	the modem speed does not match that of the other party.
##0102	[Tx]	at time of transmission, fall-back cannot be used.
##0103	[Rx]	at time of reception, EOL cannot be detected for 5 sec (15 sec if CBT).
##0104	[Tx]	at time of transmission, RTN or PIN is received.

No.	Tx/Rx	Description
##0106	[Rx]	at time of reception, the procedural signal is received for 6 sec while in wait for the signal.
##0107	[Rx]	at time of reception, the transmitting party cannot use fall-back.
##0109	[Tx]	at time of transmission, a signal other than DIS, DTC, FTT, CFR, or CRP is received, and the procedural signal has been sent more than specified.
##0111	[Tx/Rx]	memory error has occurred.
##0114	[Rx]	at time of reception, RTN is transmitted.
##0200	[Rx]	at time of reception, no image carrier is detected for 5 sec.
##0201	[Tx/Rx]	DCN is received outside the normal parity procedure.
##0220	[Tx/Rx]	system error (main program out of control) has occurred.
##0232	[Tx]	encoding error has occurred.
##0237	[Rx]	decoding error has occurred.
##0261	[Tx/Rx]	system error has occurred.
##0280	[Tx]	at time of transmission, the procedural signal has been transmitted more than specified.
##0281	[Tx]	at time of transmission, the procedural signal has been transmitted more than specified.
##0282	[Tx]	at time of transmission, the procedural signal has been transmitted more than specified.
##0283	[Tx]	at time of transmission, the procedural signal has been transmitted more than specified.
##0284	[Tx]	at time of transmission, DCN is received after transmission of TCF.
##0285	[Tx]	at time of transmission, DCN is received after transmission of EOP.
##0286	[Tx]	at time of transmission, DCN is received after transmission of EOM.
##0287	[Tx]	at time of transmission DCN is received after transmission of MPS.
##0288	[Tx]	after transmission of EOP, a signal other than PIN, PIP, MCF, RTP, or RTN has been received.
##0289	[Tx]	after transmission of EOM, a signal other than PIN, PIP, MCF, RTP, or RTN has been received.
##0290	[Tx]	after transmission of MPS, a signal other than PIN, PIP, MCF, RTP, or RTN has been received.
##0670	[Tx]	at time of V.8 late start, the V.8 ability of DIS front the receiving party is expected to be detected, and the CI signal is expected to be transmitted in response; however, the procedure fails to advance, and the line is released because of T1 time-out.
##0671	[Rx]	at time of V.8 arrival, procedure fails to move to phase 2 after detection of CM signal from caller, causing T1 time-out and releasing line
##0672	[Tx]	at time of V.34 transmission, a shift in procedure from phase 2 to phase 3 and thereafter stops, causing the machine to release the line and suffer T1 timeout.
##0673	[Rx]	at time of V.34 reception, a shift in procedure from phase 2 to phase 3 and thereafter stops, causing the machine to release the line and suffer T1 timeout.
##0674	[Tx]	at time of V.34 transmission, a shift in procedure from phase 3 and phase 4 to the control channel and thereafter stops, causing the machine to release the line and suffer T1 timeout.
##0675	[Rx]	at time of V.34 reception, a shift in procedure from phase 3 and phase 4 to the control channel and thereafter stops, causing the machine to release the line and suffer T1 timeout.
##0750	[Tx]	at time of ECM transmission, no meaningful signal is received after transmission of PPS-NULL, causing the procedural signal to be transmitted more than specified.
##0752	[Tx]	at time of ECM transmission, DCN is received after transmission of PPS-NULL.
##0753	[Tx]	at time of ECM transmission, the procedural signal has been transmitted more than specified after transmission of PPS-NULL, or T5 time-out (60 sec) has occurred.
##0754	[Tx]	at time of ECM transmission, the procedural signal has been transmitted more than specified after transmission of PPS-NULL.
##0755	[Tx]	at time of ECM transmission, no meaningful signal is received after transmission of PPS-MPS, causing the procedural signal to be transmitted more than specified.
##0757	[Tx]	at time of ECM transmission, DCN is received after retransmission of PPS-MPS.
##0758	[Tx]	at time of ECM transmission, the procedural signal has been transmitted more than specified after transmission of PPS-MPS, or T5 time-out (60 sec) has occurred.
##0759	[Tx]	at time of ECM transmission, the procedural signal has been transmitted more than specified after transmission of PPS-MPS.
##0760	[Tx]	at time of ECM transmission, no meaningful signal is received after transmission of PPS-EOM, causing the procedural signal to be transmitted more than specified.
##0762	[Tx]	at time of ECM transmission, DCN is received after transmission of PPS-EOM.
##0763	[Tx]	at time of ECM transmission, the procedural signal has been transmitted more than specified after transmission of PPS-MPS, or T5 time-out (60 sec) has occurred.
##0764	[Tx]	at time of ECM transmission, the procedural signal has been transmitted more than specified after transmission of PPS-EOM.
##0765	[Tx]	at time of ECM transmission, no meaningful signal is received after transmission of PPS-EOP, causing the procedural signal to be transmitted more than specified.
##0767	[Tx]	at time of ECM transmission, DCN is received after transmission of PPS-EOP.
##0768	[Tx]	at time of ECM transmission, the procedural signal has been transmitted more than specified after transmission of PPS-EOP, or T5 time-out (60 sec) has occurred.
##0769	[Tx]	at time of ECM transmission, the procedural signal has been transmitted more than specified after transmission of PPS-EOP.

No.	Tx/Rx	Description
##0770	[Tx]	at time of ECM transmission, no meaningful signal is received after transmission of EOR-NULL, causing the procedural signal to be transmitted more than specified.
##0772	[Tx]	at time of ECM transmission, DCN is received after transmission of EOR-NULL.
##0773	[Tx]	at time of ECM transmission, the procedural signal has been transmitted more than specified after transmission of EOR-NULL, or T5 time-out (60 sec) has occurred.
##0774	[Tx]	at time of ECM transmission, ERR is received after transmission of EOR-NULL.
##0775	[Tx]	at time of ECM transmission, no meaningful signal is received after transmission of EOR-MPS, causing the procedural signal to be transmitted more than specified.
##0777	[Tx]	at time of ECM transmission, DCN is received after transmission of EOR-MPS.
##0778	[Tx]	at time of ECM transmission, the procedural signal has been transmitted more than specified after transmission EOR-MPS, or T5 time-out (60 sec) has occurred.
##0779	[Tx]	at time of ECM transmission, ERR is received after transmission of EOR-MPS.
##0780	[Tx]	at time of ECM transmission, no meaningful signal is received after transmission of EOR-EOM, causing the procedural signal to be transmitted more than specified.
##0782	[Tx]	at time of ECM transmission, DCN is received after transmission of EOR-EOM.
##0783	[Tx]	at time of ECM transmission, the procedural signal has been transmitted more than specified after transmission of EOR-EOM, or T5 time-out (60 sec) has occurred.
##0784	[Tx]	at time of ECM transmission, ERR is received after transmission of EOR-EOM.
##0785	[Tx]	at time of ECM transmission, no meaningful signal is received after transmission of EOR-EOP, causing the procedural signal to be transmitted more than specified.
##0787	[Tx]	at time of ECM transmission, DCN is received after transmission of EOR-EOP.
##0788	[Tx]	at time of ECM transmission, the procedural signal has been transmitted more than specified after transmission of EOR-EOP, or T5 time-out (60 sec) has occurred.
##0789	[Tx]	at time of ECM transmission, ERR is received after transmission of EOR-EOP.
##0790	[Rx]	at time of ECM reception, ERR is transmitted after transmission of EOR-Q.
##0791	[Tx/Rx]	while ECM mode procedure is under way, a signal other than a meaningful signal is received.
##0792	[Rx]	at time of ECM reception, PPS-NULL cannot be detected over partial page processing.
##0793	[Rx]	at time of ECM reception, no effective frame is received while high-speed signal reception is under way, thus causing time-out.
##0794	[Tx]	at time of ECM reception, PPR with all 0s is received.
##0795	[Tx/Rx]	a fault has occurred in code processing for communication.

---

## Chapter 14 Service Mode

---



# Contents

14.1 Outline.....	14-1
14.1.1 Outline of Service Mode (iR2020/iR2020J/iR2016/iR2016J).....	14-1
14.1.2 Outline of Service Mode (iR2020i/iR2016i).....	14-1
14.1.3 Using the Mode (iR2020/iR2020J/iR2016/iR2016J).....	14-2
14.1.4 Using the Mode (iR2020i/iR2016i).....	14-2
14.2 Default settings.....	14-3
14.2.1 Service Mode Menus.....	14-3
14.3 Setting of Bit Switch (SSSW).....	14-8
14.3.1 Outline.....	14-8
14.3.1.1 Bit Switch Composition.....	14-8
14.3.2 SSSW-SW01.....	14-8
14.3.2.1 List of Functions.....	14-8
14.3.2.2 Detailed Discussions of Bit 0.....	14-8
14.3.3 SSSW-SW03.....	14-8
14.3.3.1 List of Functions.....	14-8
14.3.3.2 Detailed Discussions of Bit 7.....	14-9
14.3.4 SSSW-SW04.....	14-9
14.3.4.1 List of Functions.....	14-9
14.3.4.2 Detailed Discussions of Bit 2.....	14-9
14.3.4.3 Detailed Discussions of Bit 3.....	14-9
14.3.4.4 Detailed Discussions of Bit 4.....	14-9
14.3.4.5 Detailed Discussions of Bit 6.....	14-9
14.3.4.6 Detailed Discussions of Bit 7.....	14-9
14.3.5 SSSW-SW05.....	14-10
14.3.5.1 List of Functions.....	14-10
14.3.5.2 Detailed Discussions of Bit 1.....	14-10
14.3.5.3 Detailed Discussions of Bit 2.....	14-10
14.3.6 SSSW-SW12.....	14-10
14.3.6.1 List of Functions.....	14-10
14.3.7 SSSW-SW13.....	14-11
14.3.7.1 List of Functions.....	14-11
14.3.7.2 Detailed Discussions of Bit 2.....	14-11
14.3.8 SSSW-SW14.....	14-11
14.3.8.1 List of Functions.....	14-11
14.3.8.2 Detailed Discussions of Bit 2.....	14-11
14.3.8.3 Detailed Discussions of Bit 4.....	14-11
14.3.9 SSSW-SW28.....	14-11
14.3.9.1 List of Functions.....	14-11
14.3.9.2 Detailed Discussions of Bit 0.....	14-11
14.3.9.3 Detailed Discussions of Bit 1.....	14-11
14.3.9.4 Detailed Discussions of Bit 2.....	14-12
14.3.9.5 Detailed Discussions of Bit 3.....	14-12
14.3.9.6 Detailed Discussions of Bit 4.....	14-12
14.3.9.7 Detailed Discussions of Bit 5.....	14-12
14.3.10 SSSW-SW30.....	14-12
14.3.10.1 List of Functions.....	14-12
14.3.10.2 Detailed Discussions of Bit 5.....	14-12
14.3.11 SSSW-SW33.....	14-12
14.3.11.1 List of Functions.....	14-12
14.3.11.2 Detailed Discussions of Bit 0.....	14-12
14.3.11.3 Detailed Discussions of Bit 1.....	14-12
14.3.11.4 Detailed Discussions of Bit 2.....	14-13
14.3.11.5 Detailed Discussions of Bit 3.....	14-13

14.3.12 SSSW-SW34.....	14-13
14.3.12.1 List of Functions .....	14-13
14.3.12.2 Detailed Discussions of Bit 0.....	14-13
14.3.12.3 Detailed Discussions of Bit 1.....	14-13
14.4 Setting of Menu Switch (Menu).....	14-13
14.4.1 Menu Switch Composition .....	14-13
14.4.2 <No.005 NL equalizer> .....	14-13
14.4.3 <No.006 telephone line monitor>.....	14-14
14.4.4 <No.007 ATT transmission level> .....	14-14
14.4.5 <No.008 V.34 modulation speed upper limit> .....	14-14
14.4.6 <No.009 V.34 data speed upper limit>.....	14-14
14.4.7 <No.010 Frequency of the pseudo CI signal> .....	14-14
14.5 Setting of Numeric Parameter (NUMERIC Param.).....	14-14
14.5.1 Numerical Parameter Composition.....	14-14
14.5.2 <002: RTN transmission condition (1)><003: RTN transmission condition (2)><004: RTN transmission condition (3)>.....	14-15
14.5.3 <005: NCC pause length (pre-ID code)>.....	14-15
14.5.4 <006: NCC pause length (post-ID code)> .....	14-15
14.5.5 <010: line connection identification length>.....	14-15
14.5.6 <011: T.30 T1 timer (for reception)> .....	14-15
14.5.7 <013: T.30 EOL timer> .....	14-15
14.5.8 <016: time length to first response at time of fax/tel switchover> .....	14-15
14.5.9 <017: pseudo RBT signal pattern ON time length><018: pseudo RBT signal pattern OFF time length (short)><019: pseudo RBT signal pattern OFF time length (long)>.....	14-15
14.5.10 <020: pseudo CI signal pattern ON time length><021: pseudo CI signal pattern OFF time length (short)><022: pseudo CI signal pattern OFF time length (long)>.....	14-15
14.5.11 <023: CNG detention level for fax/tel switchover> .....	14-15
14.5.12 <024: pseudo RBT transmission level at time of fax/tel switchover>.....	14-16
14.5.13 <025: Answering machine connection function signal detection time>.....	14-16
14.5.14 <027: V.21 low-speed flag preamble identification length> .....	14-16
14.5.15 <056 - 061: Count type select >.....	14-16
14.6 Setting of Scanner Functions (SCANNER) .....	14-19
14.6.1 Setting of Bit Switch.....	14-19
14.6.2 Numeric Parameter Functional configuration.....	14-19
14.6.3 <024:CIS scan position during ADF scanning>.....	14-20
14.6.4 <026:Distance from the standby position of CIS to the shading start point>.....	14-20
14.6.5 <031Vertical scan start position adjustment>.....	14-20
14.6.6 <032Horizontal scan start position adjustment> .....	14-20
14.6.7 <033Vertical scan magnification correction>.....	14-20
14.6.8 <035: - 036:Reader motor speed change> .....	14-20
14.6.9 <041: Vertical scan start position adjustment (when scanning on a document fed from ADF)>.....	14-20
14.6.10 <042: Horizontal scan start position adjustment (when scanning on a document fed from ADF)> .....	14-21
14.6.11 <043: Horizontal scan end position correction ((copy:scanning on ADF)>.....	14-21
14.6.12 <044: Horizontal scan end position correction (superfine:scanning on ADF)>.....	14-21
14.6.13 <045: Horizontal scan end position correction (fine:scanning on ADF)>.....	14-21
14.6.14 <046: Horizontal scan end position correction (standard:scanning on ADF)> .....	14-21
14.6.15 <047: Vertical scan magnification correction (when scanning on a document fed from ADF)> .....	14-21
14.6.16 <048: Horizontal scan magnification correction (when scanning on a document fed from ADF)> .....	14-21
14.6.17 <054: Pickup motor speed correction (when the ADF is used) >.....	14-21
14.6.18 <193: ADF special standard-sized paper: LGL misidentification-ready>.....	14-21
14.6.19 <194: ADF special standard-sized paper: LTR misidentification-ready>.....	14-21
14.6.20 <195: ADF special standard-sized paper: LTR_R misidentification-ready> .....	14-21
14.6.21 <196: Shading Target Value (Red)>.....	14-22
14.6.22 <197: Shading Target Value (Green)> .....	14-22
14.6.23 <198: Shading Target Value (Blue)>.....	14-22
14.6.24 <213: XYZ correction value (X) of standard white plate> (iR2020i/iR2016i) .....	14-22
14.6.25 <214: XYZ correction value (Y) of standard white plate> (iR2020i/iR2016i) .....	14-22



---

14.6.26 <215: XYZ correction value (Z) of standard white plate> (iR2020i/iR2016i).....	14-22
14.7 Setting of Printer Functions (PRINTER).....	14-22
14.7.1 Service Soft Switch Settings (PRINTER).....	14-22
14.7.1.1 SSSW-SW05.....	14-22
14.7.1.1.1 List of Functions.....	14-22
14.7.1.1.2 Detailed Discussions of Bit 7.....	14-23
14.7.1.2 SSSW-SW14.....	14-23
14.7.1.2.1 List of Functions.....	14-23
14.7.1.2.2 Detailed Discussions of Bit 0.....	14-23
14.7.1.2.3 Detailed Discussions of Bit 1.....	14-23
14.7.1.2.4 Detailed Discussions of Bit 2.....	14-23
14.7.1.2.5 Detailed Discussions of Bit 3.....	14-23
14.7.1.2.6 Detailed Discussions of Bit 4.....	14-23
14.7.1.2.7 Detailed Discussions of Bit 5.....	14-24
14.7.1.2.8 Detailed Discussions of Bit 6.....	14-24
14.7.1.3 SSSW-SW15.....	14-24
14.7.1.3.1 List of Functions.....	14-24
14.7.1.3.2 Detailed Discussions of Bit 0.....	14-24
14.7.1.3.3 Detailed Discussions of Bit 1.....	14-24
14.7.1.3.4 Detailed Discussions of Bit 2.....	14-24
14.7.2 Numerin Parameter Settings (Numeric Prama.).....	14-24
14.7.2.1 List of Functions.....	14-24
14.7.2.2 <031: Top registration adjustment (manual feed tray)>.....	14-25
14.7.2.3 <032: Top registration adjustment (cassette)>.....	14-25
14.7.2.4 <033: Top registration adjustment (duplex unit)>.....	14-25
14.7.2.5 <034: Left-end registration adjustment (manual feed tray)>.....	14-25
14.7.2.6 <035: Left-end registration adjustment (cassette 1)>.....	14-25
14.7.2.7 <036: Left-end registration adjustment (cassette 2)>.....	14-25
14.7.2.8 <037: Left-end registration adjustment (cassette 3)>.....	14-25
14.7.2.9 <038: Left-end registration adjustment (cassette 4)>.....	14-25
14.7.2.10 <039: Left-end registration adjustment (duplex unit)>.....	14-25
14.7.2.11 <040: Target fixing temperature adjustment (manual feed tray)>.....	14-25
14.7.2.12 <041: Target fixing temperature adjustment (cassette 1)>.....	14-25
14.7.2.13 <042: Target fixing temperature adjustment (cassette 2)>.....	14-25
14.7.2.14 <043: Target fixing temperature adjustment (cassette 3)>.....	14-25
14.7.2.15 <044: Target fixing temperature adjustment (cassette 4)>.....	14-26
14.7.2.16 <045: Fixing film speed change (manual feed tray)>.....	14-26
14.7.2.17 <046: Fixing film speed change (cassette)>.....	14-26
14.7.3 Setting of Cassette (CST).....	14-26
14.7.3.1 Special Standard-sized Paper Compatibility.....	14-26
14.8 Setting of System Functions (SYSTEM).....	14-26
14.8.1 Bit Switch Settings.....	14-26
14.9 Registration of Accessories (ACC).....	14-26
14.9.1 Accessory Registration.....	14-26
14.10 Display of Counter Information (COUNTER).....	14-27
14.10.1 Counters.....	14-27
14.10.2 Clearing Counters.....	14-27
14.11 Service Report (REPORT).....	14-28
14.11.1 Report Output.....	14-28
14.11.2 System Data List.....	14-28
14.11.3 System Dump List.....	14-28
14.11.4 Counter List.....	14-30
14.11.5 Error Log List.....	14-30
14.11.6 Spec List.....	14-32
14.11.7 Service Label.....	14-33
14.12 Download (DOWNLOAD).....	14-34
14.12.1 Download.....	14-34
14.13 Initialization of Set Value (CLEAR).....	14-34
14.13.1 Clear.....	14-34

14.14 Display of ROM Information (ROM) .....	14-35
14.14.1 ROM display .....	14-35
14.15 Test Mode (TEST).....	14-35
14.15.1 Outline.....	14-35
14.15.2 Test Mode Menu List (iR2020/iR2020J/iR2016/iR2016J).....	14-35
14.15.3 Test Mode Menu List (iR2020i/iR2016i) .....	14-37
14.15.4 D-RAM Test<(1) D-RAM TEST> .....	14-39
14.15.5 Scan Test ((2) SCAN TEST) .....	14-39
14.15.6 Print Test ((3) PRINT TEST) .....	14-40
14.15.7 MODEM Test ((4) MODEM TEST) .....	14-40
14.15.8 Function Test ((6) FUNCTION TEST) (iR2020/iR2020J) .....	14-42
14.15.9 Function Test ((6) FUNCTION TEST) (iR2016/iR2016J) .....	14-46
14.15.10 Function Test ((6) FUNCTION TEST) (iR2020i).....	14-50
14.15.11 Function Test ((6) FUNCTION TEST) (iR2016i).....	14-53
14.15.12 Roller cleaning mode ((0) ROLLER CLEAN).....	14-56

## 14.1 Outline

### 14.1.1 Outline of Service Mode (iR2020/iR2020J/iR2016/iR2016J)

iR2016J / iR2016 / iR2020 /

The items that follow may be checked/set using the machine's service mode, which is designed the way the service mode used in fax machines is designed in terms of contents and operation.

#### #SSSW

Use it to register/set basic fax functions (e.g., error control, echo remedy, communication error correction).  
Use it to make settings related counter functions.

#### #MENU

Use it to register/set items related to functions needed at time of installation (e.g., NL equalizer, transmission level).

#### #NUMERIC PARAMETER

These setting items are for inputting numeric parameters such as the various conditions for the RTN signal transmission.

#### #SPECIAL

These setting items are for telephone network control functions.

#### #NCU

These setting items are for telephone network control functions such as the selection signal transmission conditions and the detection conditions, for the control signals sent from the exchange.

#### #FAX

Do not use.

#### #SCAN

These setting items are for image adjustment in scanning.

#### #PRINT

These setting items are for image adjustment in printer assembly and for special mode for the field-related measures.

#### #NETWORK

Do not use.

#### #CODEC

Do not use.

#### #SYSTEM

These are used for the import/export of user information through USB.

#### #COUNTER

Use it to check estimates for maintenance/parts replacement.

#### #REPORT

Use it to generate reports on various service data.

#### #DOWNLOAD

Use it to download firmware to the ROM of a PCB in question.

#### #CLEAR

Use it to reset various data to initial settings.

#### #ROM

Displays ROM information, such as version numbers and checksums.

#### #TEST MODE

Makes various status checks, such as contact sensor, sensor and print status.

### 14.1.2 Outline of Service Mode (iR2020i/iR2016i)

iR2016i / iR2020i

The items that follow may be checked/set using the machine's service mode, which is designed the way the service mode used in fax machines is designed in terms of contents and operation.

#### #SSSW

Use it to register/set basic fax functions (e.g., error control, echo remedy, communication error correction).  
Use it to make settings related counter functions.

#### #MENU

Use it to register/set items related to functions needed at time of installation (e.g., NL equalizer, transmission level).

#### #NUMERIC

These setting items are for inputting numeric parameters such as the various conditions for the RTN signal transmission.

#### #SPECIAL

These setting items are for telephone network control functions.

#### #NCU

These setting items are for telephone network control functions such as the selection signal transmission conditions and the detection conditions, for the control signals sent from the exchange.

#### #FAX

Do not use.

#### #SCAN

These setting items are for image adjustment in scanning.

#### #PRINT

These setting items are for image adjustment in printer assembly and for special mode for the field-related measures.

**#NETWORK**

Do not use.

**#CODEC**

Do not use.

**#SYSTEM**

These are used for the import/export of user information through USB.

**#ACC**

Register the accessories.

**#COUNTER**

Use it to check estimates for maintenance/parts replacement.

**#LMS**

Do not use.

**#REPORT**

Use it to generate reports on various service data.

**#DOWNLOAD**

Use it to download firmware to the ROM of a PCB in question.

**#CLEAR**

Use it to reset various data to initial settings.

**#ERROR DISPLAY**

An error code is displayed when a service error has occurred.

**#ROM**

Displays ROM information, such as version numbers and checksums.

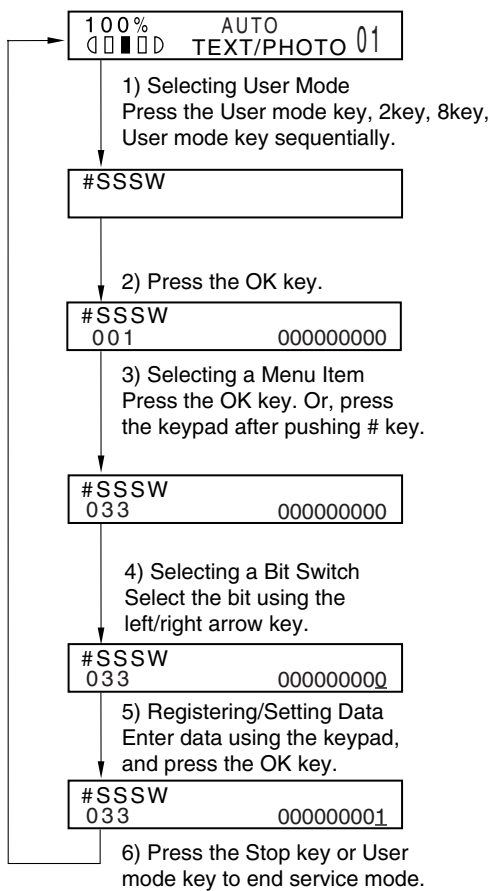
**#TEST MODE**

Makes various status checks, such as contact sensor, sensor and print status.

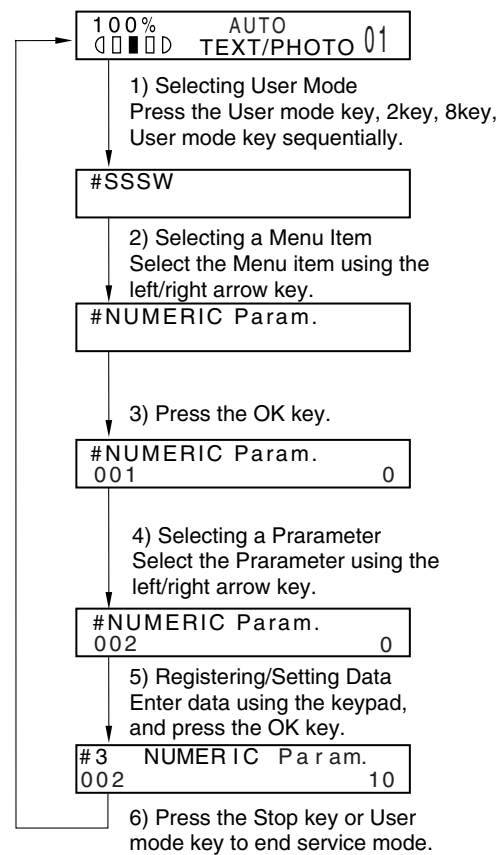
**14.1.3 Using the Mode (iR2020/iR2020J/iR2016/iR2016J)**

iR2016J / iR2016 / iR2020 /

<Operation at the time of Bit SW>



<Operation at the time of Parameter>

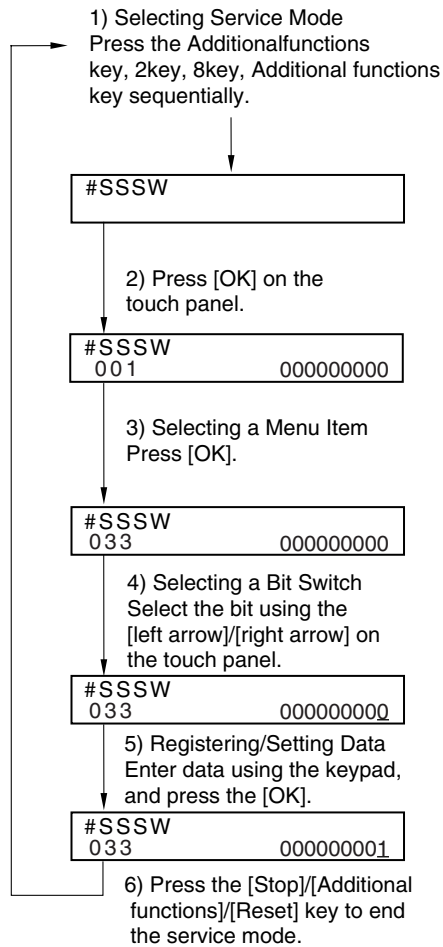


F-14-1

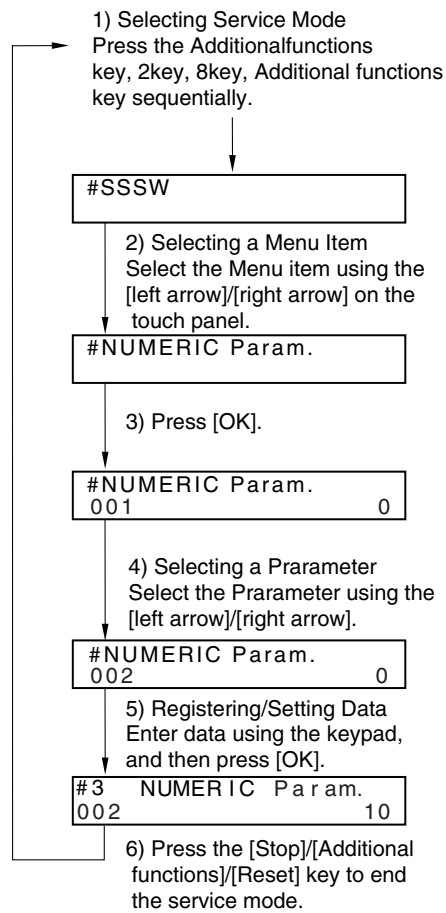
**14.1.4 Using the Mode (iR2020i/iR2016i)**

iR2016i / iR2020i

## &lt;Operation at the time of Bit SW&gt;



## &lt;Operation at the time of Parameter&gt;



F-14-2

## 14.2 Default settings

### 14.2.1 Service Mode Menus

iR2016J / iR2016 / iR2020 / / iR2016i / iR2020i

#SSSW		
No.	Initial setting	Function
SW01	0	error/copy control
SW02		not used
SW03	0	echo remedy setting
SW04	10000000	communication fault remedy setting
SW05	0	standard function (DIS signal) setting
SW06 - SW11		not used
SW12	10	page timer setting
SW13	0	meter/inch resolution setting
SW14	1	inch/meter resolution setting
SW15 - SW27		not used
SW28	0	V.8/V.34 protocol settings
SW29		not used
SW30	00000000(JPN)/ 00000011(EURO)/ 00000001(Other country/region)	Assigning a New Dial Tone Detection Method
SW31 - SW32		not used
SW33	0	counter function settings
SW34	1	waste toner full display setting
SW35 - SW50		not used

#MENU			
No.	Initial setting	Range of setting	Function
01: - 04:			not used
05:	0	ON/OFF	NL equalizer setting
06:	0	0: DIAL 1: SERVICEMAN [1] 2: SERVICEMAN [2] 3: OFF	line monitor setting
07:	10	0-15	transmission level setting
08:	0	0: 3429 1: 3200 2: 3000 3: 2800 4: 2743 5: 2400	V.34 baud rate
09:	0	0: 33.6kbs 1: 31.2kbs 2: 28.8kbs 3: 26.4kbs 4: 24.0kbs 5: 21.6kbs 6: 19.2kbs 7: 16.8kbs 8: 14.4kbs 9: 12.0kbs 10: 9.6kbs 11: 7.2kbs 12: 4.8kbs 13: 2.4kbs	V.34 transmission speed
10:	1	0: 50Hz 1: 25Hz 2: 17Hz	pseudo CI signal frequency setting
11: - 20:			not used

#NUMERIC Param.			
No.	Initial setting	Range of setting	Function
001:			not used
002:	10 (10%)	(1 - 99)	RTN signal transmission condition (1) setting
003:	15 (15lines)	(2 - 9)	RTN signal transmission condition (2) setting
004:	12 (12times)	(1 - 99)	RTN signal transmission condition (3) setting
005:	4 (4sec)	(1 - 60)	NCC pause time (pre-ID code) setting
006:	4 (4sec)	(1 - 60)	NCC pause time (post-ID code) setting
007: - 009:			not used
010:	5500 (55sec)	(0 - 9999)	line connection identification time length
011:	3500 (35sec)	(0 - 9999)	T.30 T1 timer (for reception)
012:			not used
013:	1300 (13sec)	(500 - 3000)	T30 EOL timer
014:			not used
015:	120 (1200ms)	(0 - 999)	hooking detection time setting
016:	4 (4sec)	(0 - 9)	fax/tel switch-over function: between line acquisition and pseudo RBTtransmission
017:	100 (1000ms)	(0 - 999)	pseudo RBT signal pattern: ON time setting
018:	0 (0ms)	(0 - 999)	pseudo RBT signal pattern: OFF time (short) setting
019:	200 (2000ms)	(0 - 999)	pseudo RBT signal pattern: OFF time (long) setting
020:	100 (1000ms)	(0 - 999)	pseudo CI signal pattern: ON time setting
021:	0 (0ms)	(0 - 999)	pseudo CI signal pattern: OFF time (short) setting
022:	200 (2000ms)	(0 - 999)	pseudo CI signal pattern: OFF time (long) setting
023:	4	(0 - 7)	fax/tel switch-over pseudo RBT transmission level
024:	20 (-20dBm)	(0 - 20)	fax/tel switch-over pseudo RBT transmission level
025:	60 (60sec)	(0 - 999)	pseudo RBT signal pattern: OFF time (long) setting
026:			not used
027:	0	(0 - 20)	V21 low-speed flag preamble detection time length
028: - 055:			not used
056:	101	(0 - 999)	count type select 1
057:	103	(0 - 999)	count type select 2
058:	201	(0 - 999)	count type select 3
059:	203	(0 - 999)	count type select 4
060:	0	(0 - 999)	count type select 5
061:	0	(0 - 999)	count type select 6
062: - 080:			not used

#SPECIAL	Do not change.
----------	----------------

#NCU	Do not change.			
#FAX	Not used.			

#SCAN				
	No.	Initial setting	Range setting	Explanation
#SCAN SW	SW1	00000000		Outputting an Image for ADF Squareness Adjustment
	SW2 - SW50			Not used
#SCAN NUMERIC	001: - 023:			Not used
	024:	385	300 to 450, one unit=0.1mm	CIS scan position during ADF scanning.
	026:	22	6 to 48, one unit=0.1mm	Distance from the standby position of CIS to the shading start point.
	027: - 030:			Not used
	031:	35	0 to 70, one unit=0.1mm	Vertical scan start position adjustment
	032:	115	50 to 150, one unit=0.1mm	Horizontal scan start position adjustment
	033:	16	0 to 32, one unit=0.1%	Vertical scan magnification correction
	034:			Not used
	035: - 036:	474		Reader motor speed adjustment
	037: - 040:			Not used
	041:	35	0 to 70, one unit=0.1mm	Vertical scan start position adjustment (scanning on ADF)
	042:	220	170 to 270, one unit=0.1mm	Horizontal scan start position adjustment (scanning on ADF)
	043:	24	0 to 200, one unit=0.1mm	Horizontal scan end position correction (copy)
	044:	36	0 to 200, one unit=0.1mm	Horizontal scan end position correction (superfine)
	045:	47	0 to 200, one unit=0.1mm	Horizontal scan end position correction (fine)
	046:	47	0 to 200, one unit=0.1mm	Horizontal scan end position correction (standard)
	047:	16	0 to 32, one unit=0.1%	Vertical scan magnification correction (scanning on ADF)
	048:	16	0 to 32, one unit=0.1%	Horizontal scan magnification correction (scanning on ADF)
	049: - 053:			Not used
	054:	16	0 to 32, one unit=0.1%	Pickup motor speed correction (when the ADF is used)
	055: - 192:			Not used
	193:	0	0: LEGAL 1: FOOLSCAP 2: M_OFFICIO 3: A_FOOLSCAP 4: FOLIO 5: G_LEGAL 6: A_OFFICIO 7: B_OFFICIO	ADF special paper, standardized size: LGL misidentification-ready
	194:	0	0: LTR 1: G_LTR 2: A_LTR	ADF special paper, standardized size: LTR misidentification-ready
	195:	0	0: LTR_R 1: FOOLSCAP 2: OFFICIO 3: E_OFFICIO 4: G_LTR_R 5: A_LTR_R	ADF special paper, standardized size: LTR_R misidentification-ready
	196:	272	0 to 511	shading target value (red)
	197:	272	0 to 511	shading target value (green)
198:	272	0 to 511	shading target value (blue)	
199: - 212:			Not used	
213:	8273	1 to 9999	XYZ correction value (X) of standard white plate	
214:	8737	1 to 9999	XYZ correction value (Y) of standard white plate	
215:	9427	1 to 9999	XYZ correction value (Z) of standard white plate	
216: - 350:			Not used	

#PRINT				
	No.	Initial setting	Range setting	Explanation
#PRINT SW	SW01 - SW04			Not used
	SW05	10000000		Horizontal scanning priority record
	SW06 - SW13			Not used
	SW14	00000000		Special mode setting
	SW15	00000000		Delivery setting
	SW16 - SW50			Not used
#PRINT NUMERIC	01: - 30:			Not used
	31:	50	0 to 100, one unit = 0.1 mm	Top registration adjustment (manual paper feed tray)
	32:	50	0 to 100, one unit = 0.1 mm	Top registration adjustment (cassette)
	33:	50	0 to 100, one unit = 0.1 mm	Top registration adjustment (duplex unit)
	34:	100	0 to 200, one unit = 0.1 mm	Left-end registration adjustment (manual paper feed tray)
	35:	100	0 to 200, one unit = 0.1 mm	Left-end registration adjustment (cassette 1)
	36:	100	0 to 200, one unit = 0.1 mm	Left-end registration adjustment (cassette 2)
	37:	100	0 to 200, one unit = 0.1 mm	Left-end registration adjustment (cassette 3)
	38:	100	0 to 200, one unit = 0.1 mm	Left-end registration adjustment (cassette 4)
	39:	100	0 to 200, one unit = 0.1 mm	Left-end registration adjustment (duplex unit)
	40:	6	-30 to 0, 1 unit = 5 deg C	Target fixing temperature adjustment (multi)
	41:	6	-30 to 0, 1 unit = 5 deg C	Target fixing temperature adjustment (cassette 1)
	42:	6	-30 to 0, 1 unit = 5 deg C	Target fixing temperature adjustment (cassette 2)
	43:	6	-30 to 0, 1 unit = 5 deg C	Target fixing temperature adjustment (cassette 3)
	44:	6	-30 to 0, 1 unit = 5 deg C	Target fixing temperature adjustment (cassette 4)
	45:	16	0 to 30, 1 unit = 0.4%	Fixing film speed adjustment (manual paper feed tray)
	46:	16	0 to 30, 1 unit = 0.4%	Fixing film speed adjustment (cassette)
	47: - 50:			Not used
	#PRINT CST	U1	0	0: G_LTR
29: A-LTR				
31: G-LTR				
40: 8K				
U2		0	0: FLSP	Paper size group U2 special, standard-size paper entry
			24: FLSP	
			26: OFI	
			27: E-OFI	
			28: B-OFI	
			36: A-OFI	
			37: M-OFI	
39: 16K				
U3		0	0: G-LGL	Paper size group U3 special, standard-size paper entry
			25: AFLS	
			32: GLTRR	
	30: ALTRR			
	35: FORIO			
			34: G-LGL	

#NETWORK	Not used.
#CODEC	Not used.

#SYSTEM				
	No.	Initial setting	Range of setting	Function
#SYSTEM SW	SW01- SW02			not used
	SW03	00001000		Import/export of the user information via USB
	SW04 - SW50			not used
#SYSTEM NUMERIC	001: -100:			not used



#ACC			
Item	Initial setting	Range of setting	Function
CARD	0	0 - 99999	Card reader installation setting
CC-SPSW	0	0 or 1	Control card I/F support setting
COIN	0	0 or 1	Coin vendor change setting
CONTROL	0	0 or 1	Pinter output control setting at the time of support of control card I/F

#COUNTER	
Item	Function
TOTAL	total counter
PICK_UP	pickup-related counter
FEEDER	feeder counter
JAM	jam-related counter
MISC	other counter
DRBL-1	durables counter

#LMS*1	
Item	Function
INACTIVE	Not used
ERACE	Not used

\*1 Only for the iR2020i/iR2016i model.

#REPORT		
	Setting	Function
#REPORT SW		Not used
#REPORT OUTPUT	SERVICE DATA LIST	Output of service data list
	SYSTEM DATA LIST	Output of system data list
	SYSTEM DUMP LIST	Output of system dump list
	COUNTER LIST	Output of counter list
	ERROR LOG LIST	Output of error log list
	SPEC LIST	Output of spec list
	SERVICE LABEL	Output of service label
#REPORT NUMERIC		Not used

#DOWNLOAD	Download mode

#CLEAR		
Item	Level2	Function
TEL & USER DATA		Use it to clear all areas under user registration/setting.
SERVICE DATA		Use it to clear the counters (numerator), date, and start data form the system dump list.
COUNTER		Use it to clear the maintenance/parts counter data and each mode counter data.
SOFT-CNT		Not used.
TYPE		Use it to clear the user data and the service data by specified settings.
HST	ACTIVITY	Use it to clear the contents of the communications control report.
	ACCOUNT	Use it to clear each print history.
	JAM	Use it to clear the contents of the jam history.
	ERR	Use it to clear the contents of the error (E code) history.
	ALARM	Use it to clear the contents of the alarm history.
CARD		Use it to clear the control cars error data.
ERR	E355	Not used.
	E719	Use it to clear the management information at the time of card reader removal.
PWD		Use it to clear the system administrator's password.
FILE SYSTEM*1		Delete unnecessary language files in the USB memory.
FORMAT*1	USB MEMORY	Format the USB memory. (This mode is used when the USB memory error is damaged and E744 occurs.)
	LICENSE DRIVE	Not used.
ALL		Use it to clear all settings/registration data except the counter (denominator, numerator).

\*1 Only for the iR2020i/iR2016i model.

#ERROR DISPLAY*1	Display the service error code.

\*1 Only for the iR2020i/iR2016 model.

#ROM	
Item	Function
MAIN	Use it to indicate the version of the ROM (SYSTEM) on the image processor PCB.
MAIN2	Use it to indicate the version of the ROM (BOOT) on the image processor PCB.
OPROM	Use it to indicate the version of option ROM.
ECONT	Use it to indicate the version of the ROM on the DC controller PCB.

#TEST MODE [1] - [9]	
Item	Function
(1) DRAM [1] - [2]	Data check in D-RAM
(2) SCAN TEST [1] - [8]	CS automatic correction and document scan position adjustment
(3) PRINT TEST [1] - [9]	Output of test prints
(4) MODEM TEST [1] - [9]	modem/NCU related tests
(5) AGING TEST	not used
(6) FACULTY TEST [1] - [9]	Various functional tests
(0) ROLLER CLEAN	Printer and ADF roller cleaning

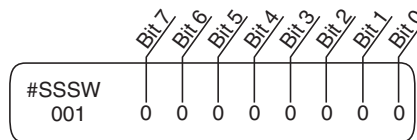
## 14.3 Setting of Bit Switch (SSSW)

### 14.3.1 Outline

#### 14.3.1.1 Bit Switch Composition

iR2016J / iR2016 / iR2020 / / iR2016i / iR2020i

The items registered and set by each of these switches comprise 8-bit switches. The figure below shows which numbers are assigned to which bits. Each bit has a value of either 0 or 1.



F-14-3

**⚠** Do not change service data identified as "not used"; they are set as initial settings.

### 14.3.2 SSSW-SW01

#### 14.3.2.1 List of Functions

iR2016J / iR2016 / iR2020 / / iR2016i / iR2020i

T-14-1

Bit	Function	1	0
0	service error code	output	not output
1	not used	-	-
2	not used	-	-
3	not used	-	-
4	not used	-	-
5	not used	-	-
6	not used	-	-
7	not used	-	-

#### 14.3.2.2 Detailed Discussions of Bit 0

iR2016J / iR2016 / iR2020 / / iR2016i / iR2020i

Selects whether or not service error codes are output. When output is selected, service error codes is report.

### 14.3.3 SSSW-SW03

#### 14.3.3.1 List of Functions

iR2016J / iR2016 / iR2020 / / iR2016i / iR2020i

T-14-2

Bit	Function	1	0
0	not used	-	-
1	not used	-	-

Bit	Function	1	0
2	not used	-	-
3	not used	-	-
4	not used	-	-
5	not used	-	-
6	not used	-	-
7	tonal signal before CED signal transmission	transmit	do not transmit

### 14.3.3.2 Detailed Discussions of Bit 7

iR2016J / iR2016 / iR2020 / / iR2016i / iR2020i

Use it to enable/disable transmission of a 1080-Hz tonal signal before transmission of the CED signal. Select 'transmit' if errors occur frequently because of an echo when reception is from overseas.

#### Memo:

Any of the following error code may be indicated because of an echo at time of reception  
##0005, ##0101, ##0106, ##0107, ##0114, ##0200, ##0201, ##0790

### 14.3.4 SSSW-SW04

#### 14.3.4.1 List of Functions

iR2016J / iR2016 / iR2020 / / iR2016i / iR2020i

T-14-3

Bit	Function	1	0
0	not used	-	-
1	not used	-	-
2	the number of final flag sequences of protocol signals	2	1
3	Reception mode after CFR signal transmission	high speed	high speed/low speed
4	the length of the period of ignoring low speed signals after CFR output	1500 ms	700 ms
5	not used	-	-
6	CNG signal for manual transmission	Not transmitted	Transmitted
7	CED signal for manual reception	Not transmitted	Transmitted

### 14.3.4.2 Detailed Discussions of Bit 2

iR2016J / iR2016 / iR2020 / / iR2016i / iR2020i

Use it to select the number of last flag sequences for a protocol signal (transmission speed at 300 bps). Select '2' if the other party fails to receive the protocol signal properly.

#### Memo:

Any of the following error codes may be indicated at time of transmission  
##0100, ##0280, ##0281, ##0750, ##0753, ##0754, ##0755, ##0758, ##0759, ##0760, ##0763, ##0764, ##0765, ##0768, ##0769, ##0770, ##0773, ##0775, ##0778, ##0780, ##0783, ##0785, ##0788

### 14.3.4.3 Detailed Discussions of Bit 3

iR2016J / iR2016 / iR2020 / / iR2016i / iR2020i

Use it to select an appropriate reception mode after transmission of the CFR signal.

If errors occur frequently at time of reception because of the condition of the line, select 'high speed' for reception mode and, at the same time, selects 'do not receive' for 'ECM reception.'

#### Memo:

Any of the following error codes may be indicated at time of reception because of line condition  
##0107, ##0114, ##0201

Be sure to change bit 4 before changing this bit; if errors still occur, change this bit.

When 'high speed' is selected, only high-speed signals (images) will be received after transmission of the CFR signal.

### 14.3.4.4 Detailed Discussions of Bit 4

iR2016J / iR2016 / iR2020 / / iR2016i / iR2020i

Use it to select the time length during which low-speed signals are ignored after transmission of the CFR signal. If the condition of the line is not good and, therefore, the reception of image signals is difficult, select '1500 ms.'

### 14.3.4.5 Detailed Discussions of Bit 6

iR2016J / iR2016 / iR2020 / / iR2016i / iR2020i

Selects whether or not to transmit CNG signal during manual transmission.

In manual transmitting to a fax with the FAX/TEL switching mode, if there are frequent errors due to failure to switch to fax mode, select "Transmitted" for the CNG signal.

### 14.3.4.6 Detailed Discussions of Bit 7

iR2016J / iR2016 / iR2020 / / iR2016i / iR2020i

Selects whether or not to transmit CED signals during manual reception. If the other fax does not transmit even when you start manual reception, select "Transmitted" for the CED signal.

## 14.3.5 SSSW-SW05

### 14.3.5.1 List of Functions

iR2016J / iR2016 / iR2020 / / iR2016i / iR2020i

T-14-4

Bit	Function	1	0
0	not used	-	-
1	Conversion from mm to inch (text mode)	convert	do not convert
2	Conversion from mm to inch (text/photo mode)	convert	do not convert
3	not used	-	-
4	not used	-	-
5	not used	-	-
6	not used	-	-
7	not used	-	-

### 14.3.5.2 Detailed Discussions of Bit 1

iR2016J / iR2016 / iR2020 / / iR2016i / iR2020i

Use it to enable/disable millimeter/inch conversion in sub scanning direction for images read in text mode. Scanning direction in conversion follows the Bit 2 setting of SW14.

### 14.3.5.3 Detailed Discussions of Bit 2

iR2016J / iR2016 / iR2020 / / iR2016i / iR2020i

Use it to enable/disable millimeter/inch conversion in sub scanning direction for images read in text/photo mode while bit 1 is set to '1'. Scanning direction in conversion follows the Bit 2 setting of SW14.

## 14.3.6 SSSW-SW12

### 14.3.6.1 List of Functions

iR2016J / iR2016 / iR2020 / / iR2016i / iR2020i

T-14-5

Bit	Function	1	0
0	Time-out period for one page upon transmission	1	0
1	Time-out period for one page upon transmission	1	0
2	not used	-	-
3	not used	-	-
4	Time-out period for one page upon reception	1	0
5	Time-out period for one page upon reception	1	0
6	not used	-	-
7	Respective page timer settings for transmission and for reception	enable	do not enable

The machine will stop the ongoing communication if the transmission/reception of a single original page takes 32 min or more. To use the timer for a purpose other than this function, refer to the tables that follow, and select an appropriate time length.

When 'do not enable' is selected using bit 7, the time-out length for a single page for all modes will depend on the setting of bit 0 and bit 1.

T-14-6

Time-Out Length for Transmission/Reception	Bit7	Bit6	Bit5	Bit4	Bit3	Bit2	Bit1	Bit0
8 min	0	*	*	*	*	*	0	0
16 min	0	*	*	*	*	*	0	1
32 min	0	*	*	*	*	*	1	0
64 min	0	*	*	*	*	*	1	1

T-14-7

Time-Out Length for Transmission (in text mode)	Bit7	Bit6	Bit5	Bit4	Bit3	Bit2	Bit1	Bit0
8 min	1	*	*	*	*	*	0	0
16 min	1	*	*	*	*	*	0	1
32 min	1	*	*	*	*	*	1	0
64 min	1	*	*	*	*	*	1	1

T-14-8

Time-Out Length for Reception	Bit7	Bit6	Bit5	Bit4	Bit3	Bit2	Bit1	Bit0
8 min	1	*	0	0	*	*	*	*
16 min	1	*	0	1	*	*	*	*
32 min	1	*	1	0	*	*	*	*
64 min	1	*	1	1	*	*	*	*

## 14.3.7 SSSW-SW13

### 14.3.7.1 List of Functions

iR2016J / iR2016 / iR2020 / / iR2016i / iR2020i

T-14-9

Bit	Function	1	0
0	not used	-	-
1	not used	-	-
2	Convert "inch" into "mm" when transmitting the received image data	convert	do not convert
3	not used	-	-
4	not used	-	-
5	not used	-	-
6	not used	-	-
7	not used	-	-

### 14.3.7.2 Detailed Discussions of Bit 2

iR2016J / iR2016 / iR2020 / / iR2016i / iR2020i

It converts "inch" into "mm" when transmitting the received image data. Scanning direction in conversion follows the Bit 2 setting of SW14.

## 14.3.8 SSSW-SW14

### 14.3.8.1 List of Functions

iR2016J / iR2016 / iR2020 / / iR2016i / iR2020i

T-14-10

Bit	Function	1	0
0	not used	-	-
1	not used	-	-
2	direction of scanning for inch/mm conversion	both main and sub scanning directions	sub scanning direction only
3	not used	-	-
4	inch-configuration resolution declaration	declare	do not declare
5	not used	-	-
6	not used	-	-
7	not used	-	-

### 14.3.8.2 Detailed Discussions of Bit 2

iR2016J / iR2016 / iR2020 / / iR2016i / iR2020i

Use it to specify whether to convert or not convert an inch-configuration resolution into a millimeter-configuration resolution for image read in G3 transmission: either in sub scanning direction only or in both main and sub scanning directions. The setting is valid only when bit 1 of SW05 of #SSSW is set to '1'.

### 14.3.8.3 Detailed Discussions of Bit 4

iR2016J / iR2016 / iR2020 / / iR2016i / iR2020i

Use it to specify whether to declare or not declare an inch-configuration resolution to the other machine for G3 communication: if 'declare' is selected, the machine will indicate that it reads and records at an inch-configuration resolution using the DIS, DCS, or DTC signal.

## 14.3.9 SSSW-SW28

### 14.3.9.1 List of Functions

iR2016J / iR2016 / iR2020 / / iR2016i / iR2020i

T-14-11

Bit	Function	1	0
0	Caller V.8 protocol	NO	YES
1	Called party V.8 protocol	NO	YES
2	Caller V.8 protocol late start	NO	YES
3	Called party V.8 protocol late start	NO	YES
4	V.34 reception fallback	Prohibited	Not prohibited
5	V.34 transmission fallback	Prohibited	Not prohibited
6	not used	-	-
7	not used	-	-

### 14.3.9.2 Detailed Discussions of Bit 0

iR2016J / iR2016 / iR2020 / / iR2016i / iR2020i

Select whether to use the V.8 protocol when calling. If NO is selected, the V.8 protocol is inhibited at calling and the V.21 protocol is used.

### 14.3.9.3 Detailed Discussions of Bit 1

iR2016J / iR2016 / iR2020 / / iR2016i / iR2020i

Select whether to use the V.8 protocol when called. If NO is selected, the V8 protocol is inhibited when called and the V.21 protocol is used.

#### 14.3.9.4 Detailed Discussions of Bit 2

iR2016J / iR2016 / iR2020 / / iR2016i / iR2020i

If ANSam signal is not received during transmission, select whether to use the V.8 protocol when the other fax machine declares the V.8 protocol in DIS signal. If NO is selected, the CI signal is not transmitted and the V.8 protocol is not used even if the DIS that specifies the V.8 protocol is received. The V.8 late start is not executed during manual transmission regardless of this setting.

#### 14.3.9.5 Detailed Discussions of Bit 3

iR2016J / iR2016 / iR2020 / / iR2016i / iR2020i

Select whether to declare the V.8 protocol in DIS signal for reception. If NO is selected, the V.8 protocol cannot be used because it is not declared in DIS signal. The V.8 late start is not executed during manual reception regardless of this setting.

#### 14.3.9.6 Detailed Discussions of Bit 4

iR2016J / iR2016 / iR2020 / / iR2016i / iR2020i

Select whether the receiver falls back during V.34 reception. If 'Prohibit' is selected, the receiver does not fall back.

#### 14.3.9.7 Detailed Discussions of Bit 5

iR2016J / iR2016 / iR2020 / / iR2016i / iR2020i

Select whether the transmitter falls back during V.34 transmission. If 'Prohibit' is selected, the transmitter does not fall back.

### 14.3.10 SSSW-SW30

#### 14.3.10.1 List of Functions

iR2016J / iR2016 / iR2020 / / iR2016i / iR2020i

T-14-12

Bit	Function	1	0
0	Not used	-	-
1	Not used	-	-
2	Not used	-	-
3	Not used	-	-
4	Not used	-	-
5	New dial tone detection method	Detect with the new method.	Detect with the existing method.
6	Not used	-	-
7	Not used	-	-

#### 14.3.10.2 Detailed Discussions of Bit 5

iR2016J / iR2016 / iR2020 / / iR2016i / iR2020i

When "Detect with the new method" is selected, tone is detected for 3.5 seconds before call origination in order to discriminate between dial tone and voice. If dial tone is detected and the time since line seizure is 3.5 seconds or longer, call origination takes place immediately. If the time since line seizure is less than 3.5 seconds, call origination takes place after waiting for 1 second. (If the time since line seizure reaches 3.5 seconds during the 1-second waiting period, call origination takes place immediately. By default, "Detect with a new method" is assigned for this SW.

### 14.3.11 SSSW-SW33

#### 14.3.11.1 List of Functions

iR2016J / iR2016 / iR2020 / / iR2016i / iR2020i

T-14-13

Bit	Function	1	0
0	count B4 (Print) as large size	Yes	No
1	indicate serial No. on counter check screen	Yes	No
2	count B4 (Scan) as large size	Yes	No
3	the counter display type change in Japan	Yes	No
4	not used	-	-
5	not used	-	-
6	not used	-	-
7	not used	-	-

#### 14.3.11.2 Detailed Discussions of Bit 0

iR2016J / iR2016 / iR2020 / / iR2016i / iR2020i

Use it to specify whether B4 paper (Print) should be counted as large-size paper. If 'yes' is selected, B4 paper will be counted as large-size paper. If 'no' is selected, on the other hand, B4 paper will be counted as small-size paper.

#### 14.3.11.3 Detailed Discussions of Bit 1

iR2016J / iR2016 / iR2020 / / iR2016i / iR2020i

Use it to specify whether to indicate the machine serial No. on the Counter Check screen, appearing when the Counter key is pressed.

If 'yes' is selected, the serial No. will be indicated.  
If 'no' is selected, on the other hand, the serial No. will not be indicated.

#### 14.3.11.4 Detailed Discussions of Bit 2

iR2016J / iR2016 / iR2020 / / iR2016i / iR2020i

Use it to specify whether B4 paper (Scan) should be counted as large-size paper.  
If 'yes' is selected, B4 paper will be counted as large-size paper.  
If 'no' is selected, on the other hand, B4 paper will be counted as small-size paper.

#### 14.3.11.5 Detailed Discussions of Bit 3

iR2016J / iR2016 / iR2020 / / iR2016i / iR2020i

Select whether to switch the counter display type in effect in Japan to the conventional or new type. Select "Yes" to display counters in the new type. Select "No" to display counters in the conventional type.

### 14.3.12 SSSW-SW34

#### 14.3.12.1 List of Functions

iR2016J / iR2016 / iR2020 / / iR2016i / iR2020i

T-14-14				
Bit	Function	1	0	
0	Display the waste toner full warning	YES	NO	
1	Switch the waste toner full warning	Drum replacement required message displayed on an operator call	E019 displayed on an service call	
2	Not used	-	-	
3	Not used	-	-	
4	Not used	-	-	
5	Not used	-	-	
6	Not used	-	-	
7	Not used	-	-	

The default setting of this SSSW varies depending on the destination of the product.  
Product for Japan: 00000000  
Product for countries in Euro zone: 00000011  
Products for other countries/regions: 00000001

#### 14.3.12.2 Detailed Discussions of Bit 0

iR2016J / iR2016 / iR2020 / / iR2016i / iR2020i

You can select whether a waste toner full warning is to be displayed.  
When "1" is selected, a waste toner full warning is displayed.  
When "0" is selected, a waste toner full warning is not displayed.

#### 14.3.12.3 Detailed Discussions of Bit 1

iR2016J / iR2016 / iR2020 / / iR2016i / iR2020i

Select whether to display the waste toner full warning as a drum replacement required message or as E019 displayed on an operator call. Select 1 to display a rum replacement required message on an operator call. Select 0 to display E019 on an service call.

## 14.4 Setting of Menu Switch (Menu)

### 14.4.1 Menu Switch Composition

iR2016J / iR2016 / iR2020 / / iR2016i / iR2020i

T-14-15		
No.	Function	Range of settings
005	NL equalizer	1: ON, 0: OFF
006	telephone line monitor	0:DIAL, 1:SERVICEMAN1, 2:SERVICEMAN2, 3:OFF
007	transmission level (ATT)	from 0 to 15 (ex: 15= -15 dBm)
008	V.34 modulation speed upper limit	0:3429, 1:3200, 2:3000, 3:2800, 4:2743, 5:2400
009	V34 data speed upper limit	0:33.6 kbps, 1:31.2 kbps, 2:28.8 kbps, 3:26.4 kbps, 4:24.0 kbps, 5:21.6 kbps, 6:19.2 kbps, 7:16.8 kbps, 8:14.4 kbps, 9:12.0 kbps, 10:9.6 kbps, 11:7.2 kbps, 12:4.8 kbps, 13:2.4 kbps
010	Frequency of pseudoring signal	0:50 Hz, 1:25 Hz, 2:17 Hz

#### 14.4.2 <No.005 NL equalizer>

iR2016J / iR2016 / iR2020 / / iR2016i / iR2020i

Use it to enable-disable the NL equalizer.  
If errors occur often during communication because of the condition of the line, enable (ON) the NL equalizer.

Any of the following error codes may be indicated at time of transmission because of the line condition:  
##100, ##101, ##102, ##104, ##201, ##281, ##282, ##283, ##750, ##755, ##765, ##774, ##779, ##784, ##789  
Any of the following error codes may be indicated at time of transmission because of the line condition:

---

 ##103, ##107, ##114, ##201, ##790, ##793
 

---

#### 14.4.3 <No.006 telephone line monitor>

iR2016J / iR2016 / iR2020 / / iR2016i / iR2020i

Use it to set the telephone line monitor function:

DIAL: generate the monitor sound of the telephone line using the speaker from the start of transmission to DIS.

SERVICEMAN [1]: generate the monitor sound of the telephone line using the speaker from the start of communication to the end of it.

SERVICEMAN [2]: generate the monitor sound of the telephone line2 (Option).

OFF: do not generate the monitor sound of the telephone line using the speaker.

#### 14.4.4 <No.007 ATT transmission level>

iR2016J / iR2016 / iR2020 / / iR2016i / iR2020i

Use it to set the transmission level (ATT).

Raise the transmission level if errors occur frequently at time of communication because of the condition of the line. (It means close to 8)

Any of the following error codes may be indicated at time of transmission because of the line condition:

##100, ##101, ##102, ##104, ##201, ##280, ##281, ##282, ##283, ##284, ##750, ##752, ##754, ##755, ##757, ##759, ##760, ##762, ##764, ##765, ##767, ##769, ##770, ##772, ##774, ##775, ##777, ##779, ##780, ##782, ##784, ##785, ##787, ##789

Any of the following error codes may be indicated at time of reception because of the line condition:

##103, ##106, ##107, ##201, ##793

#### 14.4.5 <No.008 V.34 modulation speed upper limit>

iR2016J / iR2016 / iR2020 / / iR2016i / iR2020i

Use it to set an upper limit to the modulation speed (baud rate) for the V.34 primary channel.

#### 14.4.6 <No.009 V.34 data speed upper limit>

iR2016J / iR2016 / iR2020 / / iR2016i / iR2020i

Use it to set an upper limit to the data transmission speed for the V.34 primary channel between 2.4K and 33.6K bps in increments of 2400 bps. (0: 2.4K to 13: 33.6K bps).

#### 14.4.7 <No.010 Frequency of the pseudo CI signal>

iR2016J / iR2016 / iR2020 / / iR2016i / iR2020i

You may select a frequency for the pseudo CI signal.

Some types of external telephones do not ring when the fax/tel switch-over function is ON. To sound the ring, change the pseudo CI signal.

### 14.5 Setting of Numeric Parameter (NUMERIC Param.)

---

#### 14.5.1 Numerical Parameter Composition

iR2016J / iR2016 / iR2020 / / iR2016i / iR2020i

T-14-16

No.	Item	Range of settings
002	RTN transmission condition(1)	1% to 99%
003	RTN transmission condition (2)	2 to 99 item
004	RTN transmission condition (3)	1 to 99 lines
005	NCC pause time length (pre-ID code)	1 to 60 sec
006	NCC pause time length (post-ID code)	1 to 60 sec
010	line condition identification time length	0 to 9999 (10 msec)
011	T.30T1 timer (for reception)	0 to 9999 (10 msec)
013	T.30 EOL timer	500 to 3000 (10 msec)
015	hooking detection time length	0 to 999
016	time length to first response at time of fax/tel switchover	0 to 9
017	pseudo RBT signal pattern ON time length	0 to 999
018	pseudo RBT signal pattern OFF time length (short)	0 to 999
019	pseudo RBT signal pattern OFF time length (long)	0 to 999
020	pseudo CI signal pattern ON time length	0 to 999
021	pseudo CI signal pattern OFF time length (short)	0 to 999
022	pseudo CI signal pattern OFF time length (long)	0 to 999
023	CNG detection level at time of fax/tel switchover	0 to 7
024	pseudo RBT transmission level at time of fax/tel switchover	0 to 20 (120/230V)
025	Answering machine connection function signal detection time	0 to 999
027	preamble detection time length for V21 low-speed flag	20 (x 10ms)
056	display the type of soft counter 1	101 (Fixed)



No.	Item	Range of settings
057	Display the type of soft counter 2	0 to 999
058	Display the type of soft counter 3	0 to 999
059	Display the type of soft counter 4	0 to 999
060	Display the type of soft counter 5	0 to 999
061	Display the type of soft counter 6	0 to 999

#### 14.5.2 <002: RTN transmission condition (1)><003: RTN transmission condition (2)><004: RTN transmission condition (3)>

iR2016J / iR2016 / iR2020 / / iR2016i / iR2020i

Use it to set RTN signal transmission conditions. Raise these parameters for more lenient conditions if errors occur frequently at time of reception because of transmission of the RTN signal.

##### Memo:

Any of the following error codes may be indicated at time of reception because of RTN signal transmission  
##0104, ##0107, ##0114, ##0201

RTN signal transmission condition (1) affects the ratio of error lines to the total number of lines per single page of received images.

RTN signal transmission condition (2) affects the standard value (\*2) of burst errors (\*1).

RTN signal condition (3) affects the number of errors not reaching the standard value of burst errors.

\*1: transmission error occurring cover several lines.

\*2: for instance, if '15' is set, a single burst error will represent an error occurring continuously cover 15 lines.

If any of these lines is detected while an image signal is being received, the RTN signal will be transmitted after receiving the protocol signal of the transmitting party. Higher parameters restrict the transmission of the RTN signal.

#### 14.5.3 <005: NCC pause length (pre-ID code)>

iR2016J / iR2016 / iR2020 / / iR2016i / iR2020i

Use it to set the length of the pause automatically entered between access code and ID code when the NCC (New Common Carrier) line is used for dialing.

#### 14.5.4 <006: NCC pause length (post-ID code)>

iR2016J / iR2016 / iR2020 / / iR2016i / iR2020i

Use it to set the length of the pause automatically entered between ID code and telephone number of the other party when the NCC (New Common Carrier) line is used for dialing.

#### 14.5.5 <010: line connection identification length>

iR2016J / iR2016 / iR2020 / / iR2016i / iR2020i

Use it to set the time for identifying the line connection. Raise this parameter if errors occur frequently at time of communication because of the condition of the line.

##### Memo:

Any of the following error codes may be indicated because of the condition of the line

##0005, ##0018

The line condition identification time is between when the dial signal is transmitted and when the line condition is cut for the transmitting party, while it is between when the DIS signal is transmitted and when the line is cut for the receiving party.

#### 14.5.6 <011: T.30 T1 timer (for reception)>

iR2016J / iR2016 / iR2020 / / iR2016i / iR2020i

Set the T1 timer for the receiver (wait time after DIS transmission starts until a significant signal is received).

#### 14.5.7 <013: T.30 EOL timer>

iR2016J / iR2016 / iR2020 / / iR2016i / iR2020i

Set it so that the 1-line transmission time is longer for reception to prevent reception errors caused by a long data length per line (e.g., computer FAX).

#### 14.5.8 <016: time length to first response at time of fax/tel switchover>

iR2016J / iR2016 / iR2020 / / iR2016i / iR2020i

Allows setting of the time from seizing the line till pseudo RBT is sent, when the Fax/ Tel switching function is operating.

#### 14.5.9 <017: pseudo RBT signal pattern ON time length><018: pseudo RBT signal pattern OFF time length (short)><019: pseudo RBT signal pattern OFF time length (long)>

iR2016J / iR2016 / iR2020 / / iR2016i / iR2020i

Use it to set the pattern of the pseudo RBT signal transmitted at time of a fax/tel switchover.

#### 14.5.10 <020: pseudo CI signal pattern ON time length><021: pseudo CI signal pattern OFF time length (short)><022: pseudo CI signal pattern OFF time length (long)>

iR2016J / iR2016 / iR2020 / / iR2016i / iR2020i

Use it to set the pseudo CI signal pattern transmitted at time of a fax/tel switchover.

#### 14.5.11 <023: CNG detention level for fax/tel switchover>

iR2016J / iR2016 / iR2020 / / iR2016i / iR2020i

Use it to set the CNG detention level for a fax/tel switchover.

#### 14.5.12 <024: pseudo RBT transmission level at time of fax/tel switchover>

iR2016J / iR2016 / iR2020 / / iR2016i / iR2020i

Use it to set the pseudo transmission level for a fax/tel switchover.

#### 14.5.13 <025: Answering machine connection function signal detection time>

iR2016J / iR2016 / iR2020 / / iR2016i / iR2020i

Sets the signal detection time for the answering machine connection function operation. When the answering machine connection function is operating, if the function does not operate normally because the fax does not detect CNG signal sent from the line, raise this parameter to increase the signal detection time.

#### 14.5.14 <027: V.21 low-speed flag preamble identification length>

iR2016J / iR2016 / iR2020 / / iR2016i / iR2020i

Use it to detect the time of detection after which command analysis is started after detecting V.21 low-speed command preambles continuously for a specific period of time.

#### 14.5.15 <056 - 061: Count type select >

iR2016J / iR2016 / iR2020 / / iR2016i / iR2020i

Use it to confirm the count type indicated on the Counter Check screen, which appears in response to a press on the Counter key.

When '0' is selected, count type will not be indicated.

No.56: Use it to indicate the type of software counter 1 of the control panel. The type of soft counter 1 cannot be changed.

No.57: Use it to change the type of soft counter 2\* of the control panel to suit the needs of the user.

No.58: Use it to change the type of soft counter 3\* of the control panel to suit the needs of the user.

No.59: Use it to change the type of soft counter 4\* of the control panel to suit the needs of the user.

No.60: Use it to change the type of soft counter 5\* of the control panel to suit the needs of the user.

No.61: Use it to change the type of soft counter 6\* of the control panel to suit the needs of the user.

\*:The default type settings of soft counter is different from models.

<Soft Counter Specifications>

The soft counters are classified as follows in terms of input numbers:

100s: total

200s: copy

300s: print

400s: copy + print

500s: scan

700s: received file print

800s: report print

900s: transmitted scan

Guide to the Table

- 1:Count sheets of all sizes by one.
- 2:Count sheets of the large size by two.
- C:full color
- Bk:black mono
- L:large size (larger than A4/LTR)
- S:small size (A4/LTR or smaller)

#### MEMO:

To make a change so that B4 papers (for print) will be counted as large-size, use service mode: make the following selections, and change bit 0 to '1': #SSSW>SW33.

To make a change so that B4 papers (for scan) will be counted as large-size, use service mode: make the following selections, and change bit 2 to '1': #SSSW>SW33.

Serial No. on counter check screen	Counter type	Print system															
		Bk 1-sided L				Bk 1-sided S				Bk 2-sided L				Bk 2-sided S			
		Local copy	PDL print	FAX print	Report print	Local copy	PDL print	FAX print	Report print	Local copy	PDL print	FAX print	Report print	Local copy	PDL print	FAX print	Report print
101	Total1	1	1	1	1	1	1	1	1								
102	Total2	2	2	2	2	1	1	1	1								
103	Total (L)	1	1	1	1												
104	Total (S)					1	1	1	1								
108	Total (Bk1)	1	1	1	1	1	1	1	1								
109	Total (Bk2)	2	2	2	2	1	1	1	1								
112	Total (Bk/L)	1	1	1	1												
113	Total (Bk/S)					1	1	1	1								
114	Total1 (2-sided)									1	1	1	1	1	1	1	1
115	Total2 (2-sided)									2	2	2	2	1	1	1	1
116	L (2-sided)									1	1	1	1				
117	S (2-sided)													1	1	1	1
126	TotalA1		1	1	1		1	1	1								
127	TotalA2		2	2	2		1	1	1								
128	TotalA (L)		1	1	1												
129	TotalA (S)						1	1	1								
132	TotalA (Bk1)		1	1	1		1	1	1								

Serial No. on counter check screen	Counter type	Print system															
		Bk 1-sided L				Bk 1-sided S				Bk 2-sided L				Bk 2-sided S			
		Local copy	PDL print	FAX print	Report print	Local copy	PDL print	FAX print	Report print	Local copy	PDL print	FAX print	Report print	Local copy	PDL print	FAX print	Report print
133	TotalA (Bk2)		2	2	2		1	1	1								
136	TotalA (Bk/L)		1	1	1												
137	TotalA (Bk/S)						1	1	1								
138	TotalA1 (2-sided)										1	1	1		1	1	1
139	TotalA2 (2-sided)										2	2	2		1	1	1
140	L A (2-sided)										1	1	1				
141	S A (2-sided)														1	1	1
150	TotalB1		1	1	1		1	1	1								
151	TotalB2		2	2	2		1	1	1								
152	TotalB (L)		1	1	1												
153	TotalB (S)						1	1	1								
156	TotalB (Bk1)		1	1	1		1	1	1								
157	TotalB (Bk2)		2	2	2		1	1	1								
160	TotalB (Bk/L)		1	1	1												
161	TotalB (Bk/S)						1	1	1								
162	TotalB1 (2-sided)										1	1	1		1	1	1
163	TotalB2 (2-sided)										2	2	2		1	1	1
164	LB (2-sided)										1	1	1				
165	SB (2-sided)														1	1	1
201	Copy(Total1)	1					1										
202	Copy(Total2)	2					1										
203	Copy(L)	1															
204	Copy(S)						1										
205	CopyA (Total1)	1					1										
206	CopyA (Total2)	2					1										
207	CopyA (L)	1															
208	CopyA (S)						1										
209	Local copy(Total1)	1					1										
210	Local copy(Total2)	2					1										
211	Local copy(L)	1															
212	Local copy(S)						1										
221	Copy(Bk1)	1					1										
222	Copy(Bk2)	2					1										
227	Copy(Bk/L)	1															
228	Copy(Bk/S)						1										
237	Copy(Bk/L/2-sided)									1							
238	Copy(Bk/S/2-sided)													1			
249	CopyA (Bk1)	1					1										
250	CopyA (Bk2)	2					1										
255	CopyA (Bk/L)	1															
256	CopyA (Bk/S)						1										
265	CopyA (Bk/L/2-sided)									1							
266	CopyA (Bk/S/2-sided)													1			
277	Local copy(Bk1)	1					1										
278	Local copy(Bk2)	2					1										
283	Local copy(Bk/L)	1															
284	Local copy(Bk/S)						1										
293	Local copy(Bk/L/2-sided)									1							
294	Local copy(Bk/S/2-sided)													1			
301	Print (Total1)		1		1		1		1								
302	Print (Total2)		2		2		1		1								
303	Print (L)		1		1												
304	Print (S)						1		1								
305	PrintA (Total1)		1		1		1		1								
306	PrintA (Total2)		2		2		1		1								
307	PrintA (L)		1		1												
308	PrintA (S)						1		1								
313	Print (Bk1)		1		1		1		1								
314	Print (Bk2)		2		2		1		1								

Serial No. on counter check screen	Counter type	Print system															
		Bk 1-sided L				Bk 1-sided S				Bk 2-sided L				Bk 2-sided S			
		Local copy	PDL print	FAX print	Report print	Local copy	PDL print	FAX print	Report print	Local copy	PDL print	FAX print	Report print	Local copy	PDL print	FAX print	Report print
319	Print (Bk/L)		1		1												
320	Print (Bk/S)					1		1									
329	Print (Bk/L)									1		1					
330	Print (Bk/S/2-sided)													1			1
331	PDL print (Total1)		1			1											
332	PDL print (Total2)		2			1											
333	PDL print (L)		1														
334	PDL print (S)					1											
339	PDL print (Bk1)		1			1											
340	PDL print (Bk2)		2			1											
345	PDL print (Bk/L)		1														
346	PDL print (Bk/S)					1											
355	PDL print (Bk/L/2-sided)									1							
356	PDL print (Bk/S)													1			
403	Copy+Print (Bk/L)	1	1		1												
404	Copy+Print (Bk/S)				1	1		1									
405	Copy+Print (Bk2)	2	2		2	1	1	1									
406	Copy+Print (Bk1)	1	1		1	1	1	1									
411	Copy+Print (L)	1	1		1												
412	Copy+Print (S)				1	1		1									
413	Copy+Print (2)	2	2		2	1	1	1									
414	Copy+Print (1)	1	1		1	1	1	1									
421	Copy+Print (Bk/L)								1	1		1					
422	Copy+Print (Bk/S)												1	1		1	
701	Recieved print (Total1)																
702	Recieved print (Total2)																
703	Recieved print (L)																
704	Recieved print (S)																
709	Recieved print (Bk1)																
710	Recieved print (Bk2)																
715	Recieved print (Bk/L)																
716	Recieved print (Bk/S)																
725	Recieved print (Bk/L/2-sided)										1						
726	Recieved print (Bk/S/2-sided)														1		
801	Report print (Total1)																
802	Report print (Total2)																
803	Report print (L)																
804	Report print (S)																
809	Report print (Bk1)																
810	Report print (Bk2)																
815	Report print (Bk/L)																
816	Report print (Bk/S)																
825	Report print (Bk/L)											1					
826	Report print (Bk/S)																1

Serial No. on counter check screen	Counter type	Scan system															
		Bk 1-sided L				Bk 1-sided S				Bk 2-sided L				Bk 2-sided S			
		Total scan	E-mail scan	FileS hare DBscan	E-mail FileS hare DB scan	FileS hare DB BoxF scan	E-mail FileS hare DB Box	Total scan	Total scan	E-mail scan	FileS hare DB scan	E-mail FileS hare DB scan	FileS hare DB scan	E-mail FileS hare DB BOX scan	Total scan		
501	Scan (Total1)	1								1							
505	Bk scan (Total1)	1								1							
506	Bk scan (Total2)	2								1							
507	Bk scan (L)	1															
508	Bk scan (S)									1							

Serial No. on counter check screen	Counter type	Scan system													
		Bk 1-sided L				Bk 1-sided S				Bk 2-sided L				Bk 2-sided S	
		Total scan	E-mail scan	FileShare DBscan	E-mail FileShare DB scan	FileShare DB Box scan	E-mail FileShare DB Box	Total scan	Total scan	E-mail scan	FileShare DB scan	E-mail FileShare DB scan	FileShare DB scan	E-mail FileShare DB BOX scan	Total scan
509	C scanTotal (1)								1						1
510	C scanTotal (2)							2							1
511	C scan (L)							1							
512	C scan (S)														1
915	Transmission scan total2 (C)														1
916	Transmission scan total2 (Bk)						1								
917	Transmission scan total3 (C)											1			
918	Transmission scanTotal3 (Bk)				1										
921	Transmission scanTotal5 (C)										1				
922	Transmission scanTotal5 (Bk)			1											
929	Transmission scanTotal6 (C)												1		
930	Transmission scanTotal6 (Bk)					1									
945	Transmission scan/E-mail (C)									1					
946	Transmission scan/E-mail (Bk)		1												

## 14.6 Setting of Scanner Functions (SCANNER)

### 14.6.1 Setting of Bit Switch

iR2016J / iR2016 / iR2020 / / iR2016i / iR2020i

<SCAN SW SSSW01>

T-14-17

Bit	Function	1	0
0	Not used	-	-
1	Not used	-	-
2	Not used	-	-
3	Not used	-	-
4	Outputting an Image for ADF Perpendicularity Adjustment	output	not output
5	Not used	-	-
6	Not used	-	-
7	Not used	-	-


Specify whether to output an image for ADF perpendicularity adjustment.

### 14.6.2 Numeric Parameter Functional configuration

iR2016J / iR2016 / iR2020 / / iR2016i / iR2020i

No.	Function	Default	Setting range	Unit
001: - 023:	Not used			
024:	CIS scan position during ADF scanning.	385	300-450	one unit=0.1mm
025:	Not used			
026:	Distance from the standby position of CIS to the shading start point.	22	6-48	one unit=0.1mm
027: - 030:	Not used			
031:	Vertical scan start position adjustment	35	0-70	one unit=0.1mm
032:	Horizontal scan start position adjustment	115	50-150	one unit=0.1mm
033:	Vertical scan magnification correction	16	0-32	one unit=0.1%
034:	Not used			
035: - 036:	Reader motor speed adjustment	474		
037: - 040:	Not used			
041:	Vertical scan start position adjustment (scanning on ADF)	35	0-70	one unit=0.1mm
042:	Horizontal scan start position adjustment (scanning on ADF)	220	170-270	one unit=0.1mm
043:	Horizontal scan end position correction (copy:scanning on ADF)	24	0-200	one unit=0.1mm
044:	Horizontal scan end position correction (superfine:scanning on ADF)	36	0-200	one unit=0.1mm
045:	Horizontal scan end position correction (fine:scanning on ADF)	47	0-200	one unit=0.1mm
046:	Horizontal scan end position correction (standard:scanning on ADF)	47	0-200	one unit=0.1mm

No.	Function	Default	Setting range	Unit
047:	Vertical scan magnification correction (scanning on ADF)	16	0-32	one unit=0.1%
048:	Horizontal scan magnification correction (scanning on ADF)	16	0-32	one unit=0.1%
049: - 053:	Not used			
054:	Pickup motor speed correction (when the ADF is used)	16	0-32	one unit=0.1%
055: - 192:	Not used			
193:	ADF special paper, standardized size: LGL misidentification-ready	0	0 : LEGAL 1 : FOOLSCAP 2 : M_OFFICIO 3 : A_FOOLSCAP 4 : FOLIO 5 : G_LEGAL 6 : A_OFFICIO 7 : B_OFFICIO	
194:	ADF special paper, standardized size: LTR misidentification-ready	0	0 : LTR 1 : G_LTR 2 : A_LTR	
195:	ADF special paper, standardized size: LTR_R misidentification-ready	0	0 : LTR_R 1 : FOOLSCAP 2 : OFFICIO 3 : E_OFFICIO 4 : G_LTR_R 5 : A_LTR_R	
196:	shading target value (red)	272	0-511	
197:	shading target value (green)	272	0-511	
198:	shading target value (blue)	272	0-511	
199: - 212:	Not used			
213:	XYZ correction value (X) of standard white plate	8273	1-9999	
214:	XYZ correction value (Y) of standard white plate	8737	1-9999	
215:	XYZ correction value (Z) of standard white plate	9427	1-9999	
216: - 350:	Not used			

 If any operation error occurs after changing the setting value, change the setting value to the original one.

#### 14.6.3 <024:CIS scan position during ADF scanning>


iR2016J / iR2016 / iR2020 / / iR2016i / iR2020i

This value is used when automatic scan position adjustment (TESTMODE>"2"SCAN TEST>"3"SHEET POS ADJ) fails.

#### 14.6.4 <026:Distance from the standby position of CIS to the shading start point>

iR2016J / iR2016 / iR2020 / / iR2016i / iR2020i

White shading can be adjusted finely.

 Normally, do not change the setting value. If any operation error occurs after changing the setting value, change the setting value to the original one.

#### 14.6.5 <031Vertical scan start position adjustment>

iR2016J / iR2016 / iR2020 / / iR2016i / iR2020i

Adjust the position at which vertical scanning of a book starts. The larger the adjustment value, the narrower the left-side margin of the image becomes.

#### 14.6.6 <032Horizontal scan start position adjustment>

iR2016J / iR2016 / iR2020 / / iR2016i / iR2020i

Adjust the position at which horizontal scanning of a book starts. The larger the adjustment value, the narrower the top margin in the image becomes.

#### 14.6.7 <033Vertical scan magnification correction>

iR2016J / iR2016 / iR2020 / / iR2016i / iR2020i

Correct the magnification of vertical scanning of a book. The larger the adjustment value, the more the image stretches in the vertical scanning direction.

#### 14.6.8 <035: - 036:Reader motor speed change>

iR2016J / iR2016 / iR2020 / / iR2016i / iR2020i

Though no market adjustment work needs to be carried out, enter factory defaults at image processor PCB replacement.

#### 14.6.9 <041: Vertical scan start position adjustment (when scanning on a document fed from ADF)>

iR2016J / iR2016 / iR2020 / / iR2016i / iR2020i

Adjust the position at which vertical scanning of a document fed from the ADF starts. The larger the adjustment value, the narrower the left-side margin of the image becomes.

**14.6.10 <042: Horizontal scan start position adjustment (when scanning on a document fed from ADF)>**

iR2016J / iR2016 / iR2020 / / iR2016i / iR2020i

Adjust the position at which horizontal scanning of a document fed from the ADF starts. The larger the adjustment value, the narrower the top margin of the image becomes.

**14.6.11 <043: Horizontal scan end position correction ((copy:scanning on ADF)>**

iR2016J / iR2016 / iR2020 / / iR2016i / iR2020i

Adjust the position at which horizontal scanning of a document being copied ends (when scanning on a document fed from ADF). The larger the adjustment value, the narrower the bottom margin of the image becomes.

**14.6.12 <044: Horizontal scan end position correction (superfine:scanning on ADF)>**

iR2016J / iR2016 / iR2020 / / iR2016i / iR2020i

Adjust the position at which horizontal scanning of a FAX document scanned in superfine mode ends. The larger the adjustment value, the narrower the bottom margin of the image becomes.

**14.6.13 <045: Horizontal scan end position correction (fine:scanning on ADF)>**

iR2016J / iR2016 / iR2020 / / iR2016i / iR2020i

Adjust the position at which horizontal scanning of a FAX document scanned in fine mode ends. The larger the adjustment value, the narrower the bottom margin of the image becomes.

**14.6.14 <046: Horizontal scan end position correction (standard:scanning on ADF)>**

iR2016J / iR2016 / iR2020 / / iR2016i / iR2020i

Adjust the position at which horizontal scanning of a FAX document set to the standard scan resolution ends. The larger the adjustment value, the narrower the bottom margin of the image becomes.

**14.6.15 <047: Vertical scan magnification correction (when scanning on a document fed from ADF)>**

iR2016J / iR2016 / iR2020 / / iR2016i / iR2020i


Correct the magnification of vertical scanning of a document fed from the ADF. The larger the adjustment value, the more the image stretches in the vertical scanning direction.

**14.6.16 <048: Horizontal scan magnification correction (when scanning on a document fed from ADF)>**

iR2016J / iR2016 / iR2020 / / iR2016i / iR2020i

Correct the magnification of horizontal scanning of a document fed from the ADF. The smaller the adjustment value, the more the image stretches in the horizontal scanning direction.


This menu is used to adjust the ADF feed motor speed. If you changed the adjustment value in this mode, the adjustment value selected for SCAN NUMERIC>54 must also be incremented/decremented by the same amount.

 Do not change the adjustment value extremely.

**14.6.17 <054: Pickup motor speed correction (when the ADF is used) >**

iR2016J / iR2016 / iR2020 / / iR2016i / iR2020i

This menu is used to adjust the ADF pickup motor speed. If you have adjusted the ADF feed motor speed by selecting SCAN NUMERIC>48, the ADF pickup motor speed must also be incremented/decremented by the same amount.

 Do not change the adjustment value extremely.

**14.6.18 <193: ADF special standard-sized paper: LGL misidentification-ready>**

iR2016J / iR2016 / iR2020 / / iR2016i / iR2020i

Set to use special standard-sized paper that is not otherwise identifiable to the ADF (because it is misidentified as "LEGAL").

0: LEGAL  
 1: FOOLSCAP  
 2: M\_OFFICIO  
 3: A\_FOOLSCAP  
 4: FOLIO  
 5: G\_LEGAL  
 6: A\_OFFICIO  
 7: B\_OFFICIO

**14.6.19 <194: ADF special standard-sized paper: LTR misidentification-ready>**

iR2016J / iR2016 / iR2020 / / iR2016i / iR2020i

Set to use special standard-sized paper that is not otherwise identifiable to the ADF (because it is misidentified as "LTR").

0: LTR  
 1: G\_LTR  
 2: A\_LTR

**14.6.20 <195: ADF special standard-sized paper: LTR\_R misidentification-ready>**

iR2016J / iR2016 / iR2020 / / iR2016i / iR2020i

Set to use special standard-sized paper that is not otherwise identifiable to the ADF (because it is misidentified as "LTRR").

0: LTR\_R

- 1: FOOLSCAP
- 2: OFFICIO
- 3: E\_OFFICIO
- 4: G\_LTR\_R
- 5: A\_LTR\_R

**14.6.21 <196: Shading Target Value (Red)>**

iR2016J / iR2016 / iR2020 / / iR2016i / iR2020i

This is market-related measures taken to improve shadow images generated by a thick original such as a book or a folded or wrinkled original. When taking the measures, assign the same values for R, G, and B. After changing the values, be sure to turn off the power and turn it on again.

**14.6.22 <197: Shading Target Value (Green)>**

iR2016J / iR2016 / iR2020 / / iR2016i / iR2020i

This is market-related measures taken to improve shadow images generated by a thick original such as a book or a folded or wrinkled original. When taking the measures, assign the same values for R, G, and B. After changing the values, be sure to turn off the power and turn it on again.

**14.6.23 <198: Shading Target Value (Blue)>**

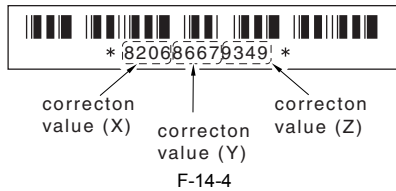
iR2016J / iR2016 / iR2020 / / iR2016i / iR2020i

This is market-related measures taken to improve shadow images generated by a thick original such as a book or a folded or wrinkled original. When taking the measures, assign the same values for R, G, and B. After changing the values, be sure to turn off the power and turn it on again.

**14.6.24 <213: XYZ correction value (X) of standard white plate> (iR2020i/iR2016i)**

iR2016i / iR2020i

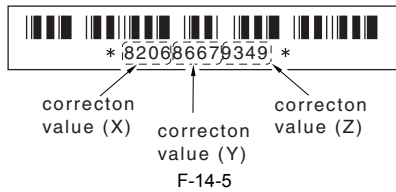
If you replaced the image processor PCB, enter values indicated on the service label. If you have replaced the document glass, enter values indicated on the new document glass and write the values on the service label.



**14.6.25 <214: XYZ correction value (Y) of standard white plate> (iR2020i/iR2016i)**

iR2016i / iR2020i

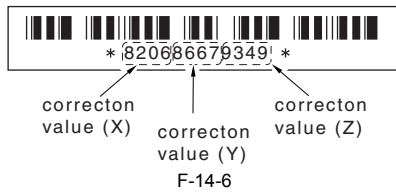
If you replaced the image processor PCB, enter values indicated on the service label. If you have replaced the document glass, enter values indicated on the new document glass and write the values on the service label.



**14.6.26 <215: XYZ correction value (Z) of standard white plate> (iR2020i/iR2016i)**

iR2016i / iR2020i

If you replaced the image processor PCB, enter values indicated on the service label. If you have replaced the document glass, enter values indicated on the new document glass and write the values on the service label.



**14.7 Setting of Printer Functions (PRINTER)**

**14.7.1 Service Soft Switch Settings (PRINTER)**

**14.7.1.1 SSSW-SW05**

**14.7.1.1.1 List of Functions**

iR2016J / iR2016 / iR2020 / / iR2016i / iR2020i



T-14-18

Bit	Function	1	0
0	not used	-	-
1	not used	-	-
2	not used	-	-
3	not used	-	-
4	not used	-	-
5	not used	-	-
6	not used	-	-
7	priority on recording in sub scanning direction	place	do not place

#### 14.7.1.1.2 Detailed Discussions of Bit 7

iR2016J / iR2016 / iR2020 / / iR2016i / iR2020i

0011-1862

Use it to enable/disable placement of priority on recording in sub scanning direction.

T-14-19

place:	if B4 recording paper and A4 recording paper are set and an A4 extra-long image (*) is received, printing will be on the B4 recording paper.
do not place:	if B5 horizontal recording paper and A4 recording paper are set and a B4 image is received, printing will be by division and on B5 horizontal recording paper.

\*: Image B4 or shorter and that cannot be printed by division and on A4 recording paper.

### 14.7.1.2 SSSW-SW14

#### 14.7.1.2.1 List of Functions

iR2016J / iR2016 / iR2020 / / iR2016i / iR2020i

0011-1884

T-14-20

Bit	Function	1	0
0	Transfer bias pressure reduction mode	Enable	Disable
1	Developing assembly idling mode	Enable	Disable
2	Black belt addition mode	Enable	Disable
3	Post-rotation reduction mode	Enable	Disable
4	Flicker reduction mode	Enable	Disable
5	Silent mode	Enable	Disable
6	Terminal temperature rise noise reduction mode	Enable	Disable
7	Not used	-	-

#### 14.7.1.2.2 Detailed Discussions of Bit 0

iR2016J / iR2016 / iR2020 / / iR2016i / iR2020i

0011-1885

Select whether to enable or disable transfer bias pressure reduction mode.

Select "Enable" to avoid image defects (black spots) produced by transfer bias leaks occurring in a low-pressure region, such as one at a high altitude. This setting regulates the transfer bias to keep it from exceeding a predetermined level during printing.

#### 14.7.1.2.3 Detailed Discussions of Bit 1

iR2016J / iR2016 / iR2020 / / iR2016i / iR2020i

0011-1888


Select whether to enable or disable developing assembly idling mode. Select "Enable" to drive the main motor for a specified period of time to apply idling and developing bias (AC + DC) to prevent the thinning of the image density when the unit is installed or the developing unit is replaced in a low-temperature, low-humidity region. This mode works only on a new developing assembly and before a toner cartridge is loaded.

#### 14.7.1.2.4 Detailed Discussions of Bit 2

iR2016J / iR2016 / iR2020 / / iR2016i / iR2020i

0011-1889

Select whether to enable or disable black belt addition mode. If the user uses paper that causes fixed toner on paper to be fused and adhered to drum, selecting "Yes" will clean the drum by forming a black band on the drum surface during the reverse rotation which is performed after printing on 50 sheets.

 Implementation of this mode could result in a drum life falling short of its life expectancy.

#### 14.7.1.2.5 Detailed Discussions of Bit 3

iR2016J / iR2016 / iR2020 / / iR2016i / iR2020i

0011-1890


Select whether to enable or disable post-rotation reduction mode. Selecting "Enable" will reduce the noise caused by the polygon motor by stopping the motor immediately after post-rotation.

#### 14.7.1.2.6 Detailed Discussions of Bit 4

iR2016J / iR2016 / iR2020 / / iR2016i / iR2020i

0011-1891

Select whether to enable or disable flicker reduction mode. Select "Enable" and enter a count to modify fusing temperature control to cancel fluorescent flicking during printing.

 Implementation of this mode would degrade the throughput.

#### 14.7.1.2.7 Detailed Discussions of Bit 5

0011-1892

iR2016J / iR2016 / iR2020 / / iR2016i / iR2020i

Select whether to enable or disable silent mode. Select "Enable" to modify the registration loop amount and thus reduce noises or squeaks the registration rollers produce after picking paper from the individual paper inlets.

#### 14.7.1.2.8 Detailed Discussions of Bit 6

0011-1894

iR2016J / iR2016 / iR2020 / / iR2016i / iR2020i

Select whether to enable or disable noise reduction mode during terminal temperature rises. Select "Enable" to start slowdown at a temperature lower than normal when printing on smaller-sized paper than B4. Slowdown control thus enabled prevents the thermal degradation of the fusing film grease, assuring smooth sliding among the fixing film, heater and film guide to cut squeaks.

#### 14.7.1.3 SSSW-SW15

##### 14.7.1.3.1 List of Functions

0011-1895

iR2016J / iR2016 / iR2020 / / iR2016i / iR2020i

T-14-21

Bit	Function	1	0
0	Inhibit automatic delivery tray replacement while running jobs	Enable	Disable
1	Halt stapling job when out of staples	Enable	Disable
2	Inhibit tray full indication while the stapled document count is exceeded	Enable	Disable
3	Not used	-	-
4	Not used	-	-
5	Not used	-	-
6	Not used	-	-
7	Not used	-	-

##### 14.7.1.3.2 Detailed Discussions of Bit 0

0011-1896

iR2016J / iR2016 / iR2020 / / iR2016i / iR2020i

Select whether to inhibit automatic delivery tray replacement while running jobs with an inner two-way tray mounted in position. Select "Enable" to inhibit automatic tray replacement.

##### 14.7.1.3.3 Detailed Discussions of Bit 1

0011-1897

iR2016J / iR2016 / iR2020 / / iR2016i / iR2020i

Select whether to halt stapling job when a finisher installed has run out of staples. Select "Enable" to halt staple jobs when the finisher has run out of staples.

##### 14.7.1.3.4 Detailed Discussions of Bit 2

0011-1898

iR2016J / iR2016 / iR2020 / / iR2016i / iR2020i

Select whether to display a tray full message when the maximum allowable stapled document count is exceeded with a finisher installed. Select "Enable" not to display the message.

#### 14.7.2 Numerin Parameter Settings (Numeric Prama.)

##### 14.7.2.1 List of Functions

iR2016J / iR2016 / iR2020 / / iR2016i / iR2020i

No.	Function	Default	Setting range
01: - 30:	Not used		
31:	Top registration adjustment (manual feed tray)	50	0 to 100, one unit = 0.1 mm
32:	Top registration adjustment (cassette)	50	0 to 100, one unit = 0.1 mm
33:	Top registration adjustment (duplex unit)	50	0 to 200, one unit = 0.1 mm
34:	Left-end registration adjustment (manual feed tray)	100	0 to 200, one unit = 0.1 mm
35:	Left-end registration adjustment (cassette 1)	100	0 to 200, one unit = 0.1 mm
36:	Left-end registration adjustment (cassette 2)	100	0 to 200, one unit = 0.1 mm
37:	Left-end registration adjustment (cassette 3)	100	0 to 200, one unit = 0.1 mm
38:	Left-end registration adjustment (cassette 4)	100	0 to 200, one unit = 0.1 mm
39:	Left-end registration adjustment (duplex unit)	100	0 to 200, one unit = 0.1 mm

No.	Function	Default	Setting range
40:	Target fixing temperature adjustment (multi)	6	-30 to 0, one unit = 5 deg C
41:	Target fixing temperature adjustment (cassette 1)	6	-30 to 0, one unit = 5 deg C
42:	Target fixing temperature adjustment (cassette 2)	6	-30 to 0, one unit = 5 deg C
43:	Target fixing temperature adjustment (cassette 3)	6	-30 to 0, one unit = 5 deg C
44:	Target fixing temperature adjustment (cassette 4)	6	-30 to 0, one unit = 5 deg C
45:	Fixing film speed change (manual feed tray)	16	0 to 30, 1 unit = 0.4%
46:	Fixing film speed change (cassette)	16	0 to 30, 1 unit = 0.4%
47: - 50:	Not used		

#### 14.7.2.2 <031: Top registration adjustment (manual feed tray)>

iR2016J / iR2016 / iR2020 / / iR2016i / iR2020i

Adjust the top registration margin of paper picked from a manual feed tray. The larger the adjustment value, the wider the top margin of the image becomes.

#### 14.7.2.3 <032: Top registration adjustment (cassette)>

iR2016J / iR2016 / iR2020 / / iR2016i / iR2020i

Adjust the top registration margin of paper picked from cassettes. The larger the adjustment value, the wider the top margin of the image becomes.

#### 14.7.2.4 <033: Top registration adjustment (duplex unit)>

iR2016J / iR2016 / iR2020 / / iR2016i / iR2020i

Adjust the top registration margin of paper picked from a duplex unit. The larger the adjustment value, the wider the top margin of the image becomes.

#### 14.7.2.5 <034: Left-end registration adjustment (manual feed tray)>

iR2016J / iR2016 / iR2020 / / iR2016i / iR2020i

Adjust the left-end registration margin of paper picked from a manual feed tray. The larger the adjustment value, the wider the left-end margin of the image becomes.

#### 14.7.2.6 <035: Left-end registration adjustment (cassette 1)>

iR2016J / iR2016 / iR2020 / / iR2016i / iR2020i

Adjust the left-end registration margin of paper picked from cassette 1. The larger the adjustment value, the wider the left-end margin of the image becomes.

#### 14.7.2.7 <036: Left-end registration adjustment (cassette 2)>

iR2016J / iR2016 / iR2020 / / iR2016i / iR2020i

Adjust the left-end registration margin of paper picked from cassette 2. The larger the adjustment value, the wider the left-end margin of the image becomes.

#### 14.7.2.8 <037: Left-end registration adjustment (cassette 3)>

iR2016J / iR2016 / iR2020 / / iR2016i / iR2020i

Adjust the left-end registration margin of paper picked from cassette 3. The larger the adjustment value, the wider the left-end margin of the image becomes.

#### 14.7.2.9 <038: Left-end registration adjustment (cassette 4)>

iR2016J / iR2016 / iR2020 / / iR2016i / iR2020i

Adjust the left-end registration margin of paper picked from cassette 4. The larger the adjustment value, the wider the left-end margin of the image becomes.

#### 14.7.2.10 <039: Left-end registration adjustment (duplex unit)>

iR2016J / iR2016 / iR2020 / / iR2016i / iR2020i

Adjust the left-end registration margin of paper picked from a duplex unit. The larger the adjustment value, the wider the left-end margin of the image becomes.

#### 14.7.2.11 <040: Target fixing temperature adjustment (manual feed tray)>

iR2016J / iR2016 / iR2020 / / iR2016i / iR2020i

Lower the fixing temperature from the target temperature setting to reduce the chances of fixing offsets and curled or stuck delivered sheets occurring with paper picked from a manual feed tray.

#### 14.7.2.12 <041: Target fixing temperature adjustment (cassette 1)>

iR2016J / iR2016 / iR2020 / / iR2016i / iR2020i

Lower the fixing temperature from the target temperature setting to reduce the chances of fixing offsets and curled or stuck delivered sheets occurring with paper picked from cassette 1.

#### 14.7.2.13 <042: Target fixing temperature adjustment (cassette 2)>

iR2016J / iR2016 / iR2020 / / iR2016i / iR2020i

Lower the fixing temperature from the target temperature setting to reduce the chances of fixing offsets and curled or stuck delivered sheets occurring with paper picked from cassette 2.

#### 14.7.2.14 <043: Target fixing temperature adjustment (cassette 3)>

iR2016J / iR2016 / iR2020 / / iR2016i / iR2020i

Lower the fixing temperature from the target temperature setting to reduce the chances of fixing offsets and curled or stuck delivered sheets occurring with paper picked from cassette 3.

### 14.7.2.15 <044: Target fixing temperature adjustment (cassette 4)>

iR2016J / iR2016 / iR2020 / / iR2016i / iR2020i

Lower the fixing temperature from the target temperature setting to reduce the chances of fixing offsets and curled or stuck delivered sheets occurring with paper picked from cassette 4.

### 14.7.2.16 <045: Fixing film speed change (manual feed tray)>

iR2016J / iR2016 / iR2020 / / iR2016i / iR2020i

Change the fixing film speed to reduce the chances of streaks appearing in the trailing edge of images caused by shocks from the fixing roller out of position while picking paper from a manual feed tray.

### 14.7.2.17 <046: Fixing film speed change (cassette)>

iR2016J / iR2016 / iR2020 / / iR2016i / iR2020i

Change the fixing film speed to reduce the chances of streaks appearing in the trailing edge of images caused by shocks from the fixing roller out of position while picking paper from a cassette.

## 14.7.3 Setting of Cassette (CST)

### 14.7.3.1 Special Standard-sized Paper Compatibility

iR2016J / iR2016 / iR2020 / / iR2016i / iR2020i

With a special paper compatibility kit (cassette size adjuster) installed, set the cassette paper size lever to paper size groups U1 to U3 to set the paper sizes listed below.

Paper size group	Setting (*default)	Paper name	Marking
U1	0*	Government LETTER	G-LTR
	29	Argentine LETTER	A-LTR
	31	Government LETTER	G-LTR
	40	8K	8K
U2	0*	FOOLSCAP	FLSP
	24	FOOLSCAP	FLSP
	26	OFFICIO	OFI
	27	Ecuadorian OFFICIO	E-OFI
	28	Bolivian OFFICIO	B-OFI
	36	Argentine Offico	A-OFI
	37	Mexican OFFICIO	M-OFI
	39	16K	16K
U3	0*	Government LEGAL	G-LGL
	25	Australian FOOLSCAP	AFLS
	30	Argentine LETTERR	ALTRR
	32	Government LETTERR	FLTRR
	34	Government LEGAL	G-LGL
	35	FORIO	FORIO

## 14.8 Setting of System Functions (SYSTEM)

### 14.8.1 Bit Switch Settings

iR2016J / iR2016 / iR2020 / / iR2016i / iR2020i

#### SSSW-SW03 functional configuration

T-14-22

Bit	Function	1	0
0	Not used	-	-
1	Not used	-	-
2	Not used	-	-
3	Not used	-	-
4	Not used	-	-
5	Not used	-	-
6	Imports and exports user information via USB.	Enable	Disable
7	Not used	-	-

#### Bit 6 details

Select whether to enable the host machine to work as a USB storage device or not. If the host machine is plugged into a PC with this setting enabled, it allows user registration data (user data and telephone registration data) to be imported and exported to and from the PC, except for the data embedded in the department management information and user management IDs in the system management information.

## 14.9 Registration of Accessories (ACC)

### 14.9.1 Accessory Registration

iR2016J / iR2016 / iR2020 / / iR2016i / iR2020i

The table below gives summary description of the accessories available.

Item		Explanation
#ACC	CARD	Card reader installation setting Enter a card number to use. (0 to 9999. One hundred cards are registered with the department ID beginning from the input card number in sequence.) *1: 1,000 cards if option ROM is mounted. When a card number is entered, the following kinds of management information are initialized: - Card name (department ID), beginning from the input card number. - Password associated with the card
	CC-SPSW	Control card I/F support setting Set whether to support the control card I/F (CC-V) or not. 0: Do not support. 1: Support.
	COIN	Coin vendor change Set the control card set display appearing on the operator station for vendor use. 0: Control card use 1: Coin vendor use
	CONTROL	Set the PDL printer output control where the control card I/F (CC-V) is supported. 0: Enable printing without a card mounted. 1: Enable printing with a card mounted in position.

## 14.10 Display of Counter Information (COUNTER)

### 14.10.1 Counters

iR2016J / iR2016 / iR2020 / / iR2016i / iR2020i

This copier is furnished with a maintenance/supplies counter set (DRBL-1), which can be used to gain rough measures of when to replace supplies. The counter set increments by one on counting each sheet of small-sized paper (up to A4/LTR) and by two on counting each sheet of large-sized paper (larger than A4/LTR).

T-14-23

Maintenance counter list		
Item	Counter	Explanation
TOTAL (Total counter)	SERVICE1	Service total counter 1
	SERVICE2	Service total counter 2
	TTL	Total counter
	COPY	Total copy counter
	PDL-PRT	PDL print counter
	FAX-PRT	Fax print counter
	REP-PRT	Report print counter
	2-SIDE	Double-sided copy/print counter
PICK-UP (Paper pickup counter)	SCAN	Scan counter
	C1	Cassette 1 jam counter
	C2	Cassette 2 jam counter
	C3	Cassette 3 jam counter
	C4	Cassette 4 jam counter
	MF	Manual feed tray pickup total counter
FEEDER (Feeder related counters)	2-SIDE	Double-sided paper pickup total counter
	FEED	Feeder pickup total counter
JAM (Jam counters)	DFOP-CNT	ADF open/close hinge counter
	TTL	Unit total jam count
	FEEDER	Feeder total jam count
	SORTER	Finisher total jam count
	2-SIDE	Duplex unit jam counter
	MF	Manual feed tray jam counter
	C1	Cassette 1 jam counter
	C2	Cassette 2 jam counter
	C3	Cassette 3 jam counter
	C4	Cassette 4 jam counter
MISC (Other required counter)	WST-TNR	Waste toner counter

T-14-24

Parts counter list			
Item	Counter	Explanation	Service life
DRBL-1 (Unit supplies)	FX-UNIT	Fixing unit paper pass count	150,000
	TR-ROLL	Transfer charger roller high-voltage ON count	150,000
	DV-UNT-C	Developing unit rotation count	150,000
	M-PU-RL	Manual feed tray pickup roller paper pass count	150,000
	M-SP-PD	Manual feed tray separation pad paper pass count	150,000

### 14.10.2 Clearing Counters

iR2016J / iR2016 / iR2020 / / iR2016i / iR2020i

- Maintenance/parts counter all clear  
Execute service mode > CLEAR > COUNTER to clear all maintenance/parts counters.

- Counter clear on parts replacement
- Press the numeric keypad key 0 after displaying the counter for a part just replaced, and the counter will be cleared individually.

## 14.11 Service Report (REPORT)

### 14.11.1 Report Output

iR2016J / iR2016 / iR2020 / / iR2016i / iR2020i

The table below lists the kinds of reports that are supported.

Item	Explanation
SERVICE DATA LIST	Service mode service soft switch output (SSSW, MENU, NUMERIC Param., SPECIAL, NCU, SCAN, PRINT, SYSTEM, ROM, start date)
SYSTEM DATA LIST	Service mode service soft switch output (SSSW, MENU, NUMERIC Param., SPECIAL, NCU, SCAN, PRINT, SYSTEM, ROM, start date) System dump list output
SYSTEM DUMP LIST	Transmission count, reception count, record chart count, error count and other outputs
COUNTER REPORT	Counter output
ERROR LOG LIST	Jam and error history output
SPEC LIST	Type setting, print speed, memory size, ROM indication, adjustment data and other outputs
SERVICE LABEL	Output of an entry format for the service label affixed to the rear cover as shipped

### 14.11.2 System Data List

iR2016J / iR2016 / iR2020 / / iR2016i / iR2020i

Use it to check the settings associated with the service soft switch and service parameters.

```

06/30/2005 12:00 FAX
*****
*** SYSTEM DATA LIST ***
*****

#SSSW
SW01 ..... 00000000
SW02 ..... 10000000
SW03 ..... 00000000
SW04 ..... 10000000
SW05 ..... 00000000
SW06 ..... 10000000
SW07 ..... 00000000
SW08 ..... 00000000
SW09 ..... 00000000
SW10 ..... 00000000
SW11 ..... 00000000
SW12 ..... 00000011
SW13 ..... 00000000
SW14 ..... 00000000
SW15 ..... 00000000
SW16 ..... 00000000
SW17 ..... 00000000
SW18 ..... 00000000
SW19 ..... 00011000
SW20 ..... 00000000
SW21 ..... 00000000
SW22 ..... 00000000
SW23 ..... 00000000
SW24 ..... 00000000
SW25 ..... 00000000
SW26 ..... 00100000
SW27 ..... 00000000
SW28 ..... 00000000
SW29 ..... 00000000
SW30 ..... 00000000
SW31 ..... 00000000
SW32 ..... 00000000
SW33 ..... 00000000
SW34 ..... 00000000
SW35 ..... 00000000
SW36 ..... 00000000
SW37 ..... 00000000
SW38 ..... 00000000
SW39 ..... 00000000
SW40 ..... 00000000
SW41 ..... 00000000
SW42 ..... 00000000
SW43 ..... 00000000
SW44 ..... 00000000
SW45 ..... 00000000
SW46 ..... 00000000
SW47 ..... 00000000
SW48 ..... 00000000
SW49 ..... 00000000
SW50 ..... 00000000

#MENU
01: ..... 0
02: ..... 0
03: ..... 0
04: ..... 0
05: ..... 0

```

F-14-7

### 14.11.3 System Dump List

iR2016J / iR2016 / iR2020 / / iR2016i / iR2020i

- System Dump List

Use it to check the history of communications, both successful and error.

06/30 2005 19:18		06/18 2005						001	
CLEAR DATE									
[1]	TX	=	7						
[3]	A4	=	0	B4	=	0	A3	=	0
[2]	RX	=	0						
[3]	A4	=	7	B4	=	0	A3	=	0
	33600	=	0	31200	=	0	28800	=	0
	21600	=	0	19200	=	0	16800	=	0
	9600	=	0	7200	=	0	4800	=	0
[4]	14400	=	0	12000	=	0	TC9600	=	0
	14400	=	0	12000	=	0			
[5]	9600	=	7	7200	=	0	4800	=	0
	STD	=	2	FINE	=	5	SUPER	=	0
[6]	MH	=	0	MR	=	0	MMR	=	7
	G3	=	0	ECM	=	7	JBIG	=	0
							JPEG	=	0
[7]	PRINT	TTL	=	63	/	63			
		C-S-TTL	=	0	/	0			
[8]	READ	K-S-TTL	=	51	/	51			
		SCAN	=	43	/	43			
[9]	#000		0	0	0	0	0	0	0
			0	0	0	0	0	0	0
			0	0	0	0	0	0	0
			0	0	0	0	0	0	0
			0	0	0	0	0	0	0
			0	0	0	0	0	0	0
			0	0	0	0	0	0	0
			0	0	0	0	0	0	0
			0	0	0	0	0	0	0
			0	0	0	0	0	0	0

F-14-8

- \*1: TX, number of total pages transmission.
- \*2: Total number of pages transmitted/received according to original size.
- \*3: RX, number of total pages reception.
- \*4: Total number of pages transmitted and received for each modem speed
- \*5: Total number of pages transmitted/received in connection with different modem speeds (Standard, Fine, Super Fine, Ultra Fine).
- \*6: Total number of pages transmitted and received for each coding method
- \*7: Total number of pages transmitted and received in each mode
- \*8: Total number of pages printed/scanned
- \*9: Total number of occurrences for error code

T-14-25

Indication sample	1	7	3	0	0
##280	##280	##281	##282		
	number of errors	number of errors	number of errors		

It provides error information on the 3 most recent communications.

```

2003 09/02 TUE 12:00 FAX                                0001
*1 ----- #1 LATEST                                     #000
*2 ----- START TIME                                   09/02 10:00
*3 ----- OTHER PARTY                                  12345678
*4 ----- MAKER CODE                                   10001000
*5 ----- MACHINE CODE                                 0100001 00000000
      RCV V.S FRAME                                     E0 81 85 D4 90 7E 00 00
      SYMBOL RATE                                       3429 baud
      DATA RATE                                         28800 bps [V.34]
      TX LVL REDUCTION                                   0
      ERR ABCODE                                         00
      ERR SECTXB                                        00
      ERR SECRXB                                        00
*6 ----- Rx : (bit 1) 00000100 01110111 01011111 00100011 00000001 10101001 00000001 (bit 56)
      (bit 57) 00000001 00000001 00000100 00000000 00000000 00000000 (bit 96)
*7 ----- Tx : (bit 1) 00000000 01000010 00011111 00100001 00000001 00000001 00000001 (bit 56)
      (bit 57) 00000001 00000001 00000100 00000000 00000000 (bit 96)

*8 -----
      Rx : NSF CSI DIS          CFR          MCF          MCF
*8 ----- Tx :          NSS TSI DCS      PIX-288 PPS-NUL  PIX-288 PPS-NUL  PIX-288 PPS-NUL
      Rx : MCF          MCF          MCF
      Tx :          PIX-288 PPS-NUL  PIX-288 PPS-EOP  DCN

#2 ----- #000
      START TIME                                   09/02 09:30
      OTHER PARTY                                  12345678
      MAKER CODE                                   10001000
      MACHINE CODE                                 0100001 00000000
      RCV V.S FRAME                                     E0 81 85 D4 90 7E 00 00
      SYMBOL RATE                                       3429 baud
      DATA RATE                                         28800 bps [V.34]
      TX LVL REDUCTION                                   0
      ERR ABCODE                                         00
      ERR SECTXB                                        00
      ERR SECRXB                                        00
      Rx : (bit 1) 00000100 01110111 01011111 00100011 00000001 10101001 00000001 (bit 56)
      (bit 57) 00000001 00000001 00000100 00000000 00000000 (bit 96)
      Tx : (bit 1) 00000000 01000010 00011111 00100001 00000001 00000001 00000001 (bit 56)
      (bit 57) 00000001 00000001 00000100 00000000 00000000 (bit 96)

      Rx : NSF CSI DIS          CFR          MCF          MCF
      Tx :          NSS TSI DCS      PIX-288 PPS-NUL  PIX-288 PPS-NUL  PIX-288 PPS-NUL
      Rx : MCF          MCF          MCF
      Tx :          PIX-288 PPS-NUL  PIX-288 PPS-EOP  DCN

#3 OLDEST #000
      START TIME                                   09/02 09:00
      OTHER PARTY                                  12345678
      MAKER CODE                                   10001000
      MACHINE CODE                                 0100001 00000000
      RCV V.S FRAME                                     E0 81 85 D4 90 7E 00 00
      SYMBOL RATE                                       3429 baud
      DATA RATE                                         28800 bps [V.34]
      TX LVL REDUCTION                                   0
      ERR ABCODE                                         00
      ERR SECTXB                                        00
      ERR SECRXB                                        00

```

F-14-9

- \*1: service error code.
- \*2: START TIME, date and time (in 24-hr notation).
- \*3: OTHER PARTY, telephone number sent by the other party.
- \*4: MAKER CODE, manufacturer code.
- \*5: MACHINE CODE, model code.
- \*6: bit 1 through bit 96 of DIS, DCS, or DTC that has been received.
- \*7: bit 1 through bit 96 of DIS, DCS, or DTC that has been transmitted.
- \*8: RX, procedural signal received; TX, procedural signal transmitted.

14.11.4 Counter List

iR2016J / iR2016 / iR2020 / / iR2016i / iR2020i

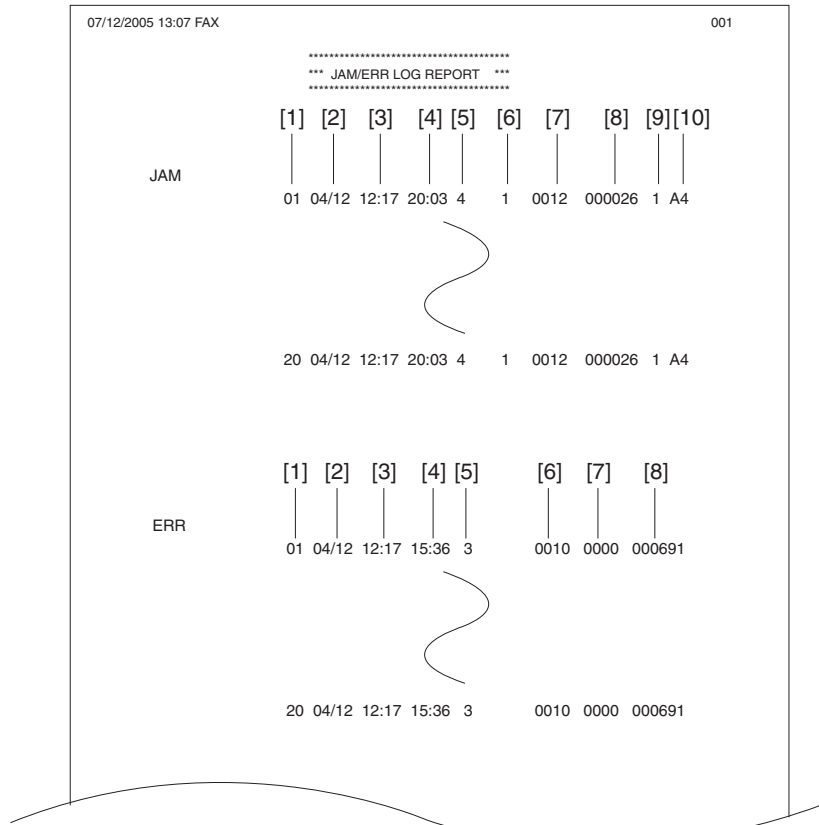
Explanation: Maintenance/supplies counter output.

(For more detailed information about the maintenance/supplies counter output, execute service mode > Display counter information > Counters.)

14.11.5 Error Log List

iR2016J / iR2016 / iR2020 / / iR2016i / iR2020i





F-14-10

Jam history description (JAM)		
	Item	Explanation
[1]	Number	The larger the number of a jam, the more recently it has occurred.
[2]	Jam date	Date of jam occurrence
[3]	Jam time	
[4]	Jam recovery time	
[5]	Location	3: Host machine, 4: ADF, 5: Finisher
[6]	Occurrence category	0: Host machine, 1: ADF, 2: Finisher

Jam history description (JAM)				
	Item	Explanation		
[7]	Jam code	Code	Jam cause	
	Host machine	0104	Pickup assembly delay jam	
		0208	Pickup assembly stationary jam	
		010c	Delivery assembly jam	
		010e	Second delivery assembly delivery delay jam	
		0210	Delivery stationary jam	
		0212	Second delivery assembly stationary jam	
		0214	Host machine retention paper jam	
		1118	Door open jam	
		0120	Duplexing paper sensor 1 delay jam	
		0221	Duplexing paper sensor 1 stationary jam	
		0124	Duplexing paper sensor 2 delay jam	
		0228	Duplexing paper sensor 2 stationary jam	
		ADF	0000	Unknown jam
			0007	Initial stationary
	0008		Read sensor delay jam	
	0009		Read sensor stationary jam	
	000a		Paper absence (Pull out the document.)	
	000c		Delivery reversal sensor delay jam	
	000d		Delivery reversal sensor stationary jam	
	000e		ADF cover open error	
	000f		User ADF open error	
	0010		Pickup NG	
	Finisher	0130	Inlet sensor delivery delay jam	
		0231	Inlet sensor delivery stationary jam	
		0033	Bundle delivery jam	
		0035	Stapler jam	
		1036	Power-on jam	
		1137	Door open jam	
[8]	Total counter display			
[9]	Pickup stage position	0: Manual feed tray, 1: Cassette 1, 2: Cassette 2, 3: Cassette 3, 4: Cassette 4		
[10]	Paper size			

Error history description (ERR)		
	Item	Explanation
[1]	Number	The larger the number of an error, the more recently it has occurred.
[2]	Error date	Date of error occurrence
[3]	Error time	
[4]	Location	3: Main unit, 5: Finisher
[5]	Error code	Error code (4-digit code; for a definition of the code, see the "Error Code" Chapter.)
[6]	Detail code	Detail code of the error code (4-digit code; for a definition of the code, see the "Error Code" Chapter.)
[7]	Total counter display	

#### 14.11.6 Spec List

iR2016J / iR2016 / iR2020 / / iR2016i / iR2020i

07/12/2005 13:07 FAX		001	
[1]	TYPE	-----	U. S. A
[2]	LBP SPEED	-----	20cpm
[3]	TOTAL MEMORY	-----	256MB
[4]	MAIN	-----	WLaa-07-05
	OPTION	-----	WLaa-07-05
	BOOT	-----	WLaa-07-05
	ECONT	-----	0210
	OPT-CAS 1	-----	0003
	OPT-CAS 2	-----	0000
	OPT-CAS 3	-----	0000
	OPT-DUP	-----	0003
	OPT-FIN	-----	0000
[5]	ACTIBAT FUNCTION		
	BDL-IMAGE (1200)	-----	ON
	FAX	-----	ON
	NETWORK	-----	ON
	PCL	-----	ON
	PC-SCAN	-----	OFF
	BW-SEND	-----	OFF
	CL-SEND	-----	OFF
	PAF	-----	OFF
	BDL-IMAGE (600)	-----	ON
[6]	SOFT-ID PRM		
	TYPE	-----	2 : US
	OPTION/ENABLE SW		
	BIT 00: BDL-IMAGE (1200)	-----	ON / ON
	BIT 01: FAX	-----	ON / ON
	BIT 02: NETWORK	-----	ON / ON
	BIT 03: PCL	-----	ON / ON
	BIT 04: PC-SCAN	-----	OFF / OFF
	BIT 05: BW-SEND	-----	OFF / OFF
	BIT 06: CL-SEND	-----	OFF / OFF
	BIT 07: PAF	-----	OFF / OFF
	BIT 08: BDSS	-----	ON / ON
	BIT 09: BDL-IMAGE (600)	-----	ON / ON
	BIT 10: COUNTER	-----	ON / ON
	BODY No.	-----	BFDxxxx
	ENGINE CODE	-----	20000013
	SIZE TYPE	-----	4 : AB/INCH
[7]	TOTAL		
	TTL	-----	000688
	COPY	-----	000685
	FAX-PRT	-----	000000
	PDL-PRT	-----	000000
	PRT-PRT	-----	000003
[8]	READ ADJ PRM		
	026:	-----	0022
	031:	-----	0035
	032:	-----	0115
	033:	-----	0016
	034:	-----	0016
	041:	-----	0035
	042:	-----	0220
	043:	-----	0024
	044:	-----	0036
	045:	-----	0047
	046:	-----	0047
	047:	-----	0016
	048:	-----	0016
	054:	-----	0016
	213:	-----	8273
	214:	-----	8737
	215:	-----	9427
	WRITE ADJ PRM		
	031:	-----	0050
	032:	-----	0050
	033:	-----	0050
	034:	-----	0100
	035:	-----	0100
	036:	-----	0100
	037:	-----	0100
	038:	-----	0100
	039:	-----	0100
[9]	OPTION ROM	-----	32MB
[10]	USB MEMORY	-----	OFF
[11]	DELIVERY FULL SENSOR 1	-----	ON
[12]	DELIVERY FULL SENSOR 2	-----	ON
[12]	USB SERIAL No.	-----	0051J9AE904
[13]	MAC ADDRESS	-----	00 00 85 51 60 1C

F-14-11

- [1] Type setting
- [2] Print speed
- [3] Memory size
- [4] ROM version (MAIN/BOOT/ECONT/option cassette/duplex unit/finisher)
- [5] Activation function ON/OFF
- [6] Soft ID information
- [7] Total counter (TOTAL/COPY/FAX/PDL/REPORT record counts)
- [8] Adjustment data (factory scan/record adjustment values)
- [9] Option ROM availability
- [10] USB memory availability
- [11] No. 1/No. 2 paper full sensor sensor availability
- [12] USB serial number
- [13] MAC address

### 14.11.7 Service Label

iR2016J / iR2016 / iR2020 // iR2016i / iR2020i

Enter the value given in the service label affixed to the rear cover when it has been replaced with a new one.

#PRINT>#PRINT NUMERIC				#SCAN>#SCAN NUMERIC					
	FACTORY	1	2	3		FACTORY	1	2	3
031	50				026				
032	50				031				
033	50				032				
034	100				033				
035	100				034				
036	100				041				
037	100				042				
038	100				043				
039	100				044				
					045				
					046				
					047				
					048				
					054				
					213				
					214				
body No: BFDxxxxx					215				

F-14-12

## 14.12 Download (DOWNLOAD)

### 14.12.1 Download

iR2016J / iR2016 / iR2020 / / iR2016i / iR2020i

The following parts of this unit can be upgraded by executing download mode using the service support tool (SST) (for more information, see the "Upgrading" section):

- Main unit  
 - Flash ROM (system + boot) mounted on the image processor PCB  
 Accessory  
 - ROM mounted on the finisher controller PCB  
 - ROM mounted on the PCL board

## 14.13 Initialization of Set Value (CLEAR)

### 14.13.1 Clear

iR2016J / iR2016 / iR2020 / / iR2016i / iR2020i

Group	Item	Explanation
TEL & USER DATA		Clears all user-registered and -set areas of telephone registration data and user data. (Telephone registration refers to the registration of codes on one-touch dialing, abbreviated dialing, and group dialing.)
SERVICE DATA		Clears the system dump list, except for counters and clear dates.
COUNTER		Clears the maintenance counter, parts counter and mode-specific counters. Initializes the counter (numerator) in the system dump list.
TYPE		Initializes user data and service data to suit specified destination settings.
SOFT-CNT		Not used
HST	ACTIVITY	Initializes the activity report
	ACCOUNT	Clears print histories.
	JAM	Clears the jam history.
	ERR	Clear the error (error code) history.
	ALARM	Clears the alarm history.
CARD		Clears department management information held in the controller before the card reader is demounted.
ERR	E355	Not used
	E719	Clears card reader errors.
PWD		Clears the system administrator's password.
FILE SYSTEM*1		Delete unnecessary language files in the USB memory.
FORMAT*1	USB MEMORY	Format the USB memory. (This mode is used when the USB memory error is damaged and E744 occurs.)
	LICENSE DRIVE	Not used
ALL		Clears user and service data (except for some scan parameters and print parameters), and the counter setting/registration data in the system dump list, except for the print count.

\*1 Only for the iR2020i/iR2016i model.

## 14.14 Display of ROM Information (ROM)

### 14.14.1 ROM display

iR2016J / iR2016 / iR2020 / / iR2016i / iR2020i

The table below lists the items of ROM display mode that are supported.

T-14-26

Item	Explanation
MAIN	Displays the version number of the ROM (SYSTEM) mounted on the image processor PCB.
MAIN2	Displays the version of the ROM (BOOT) mounted on the image processor PCB.
ECONT	Displays the version number of the ROM mounted on the DC controller PCB.
OPROM	Displays the version number of the option ROM.

## 14.15 Test Mode (TEST)

### 14.15.1 Outline

iR2016J / iR2016 / iR2020 / / iR2016i / iR2020i

Test mode must be executed by keeping track the flow of menu items appearing on the LCD. Menu items in test mode are organized into seven blocks as described below. Numerals enclosed in parentheses denote a numeric keypad key to be pressed each.

#### 1. D-RAM test ((1) D-RAM)

Checks to see if data can be correctly written to and read from D-RAM.

#### 2. Scan test ((2) SCAN TEST)

Used to adjust contact sensor output and the position at which a document fed from the ADF is scanned.

#### 3. Print test ((3) PRINT TEST)

Used to generate service test patterns.

#### 4. Modem test ((4) MODEM TEST)

Performs relay actuation, modem DTMF and tonal signal transmission/reception tests.

#### 5. Aging test ((5) AGING TEST)

Not used.

#### 6. Function test ((6) FUNCTION TEST)

Used to verify the operations of microswitches, sensors, speakers and ADF functions.

#### 7. Roller cleaning mode ((0) ROLLER CLEAN)

Used to clean the delivery roller or ADF pickup roller by idling them.

### 14.15.2 Test Mode Menu List (iR2020/iR2020J/iR2016/iR2016J)

iR2016J / iR2016 / iR2020 /

#### Test mode menu list

To invoke test mode, follow these steps:

- 1) Enter service mode.  
Press the operation panel user mode key, 2 key, 8 key and user mode key in this order.
  - 2) Press the operation panel arrow keys to show "TEST MODE."
  - 3) Press the OK key.
- To exit test mode, press the user mode key to return to standby mode.

T-14-27

Numerals enclosed in parentheses denote a numeric keypad key to be pressed each.					
Group	Subgroup	Item 1	Item 2	Item 3	Explanation
TEST MODE [1] - [9], [#]					
(1) DRAM [1] - [2]					
	(1) D-RAM TEST				Write/read check
	(2) D-RAM TEST				Read check
(2) SCAN TEST [1] - [8]					
	(1) SHADING				Automatic gain adjustment
	(3) SHEET POS ADJ				CS position adjustment
	(4) TRASH DETECT				Dust detection
	(5), (6), (9), (*)				Not used
(3) PRINT TEST [1] - [9]					
	(1)				Not used
	(2)				All-black output
	(3)				Not used
	(4)				Back belt output
	(5), (6), (7), (8), (9), (*)				Not used
(4) MODEM TEST [1] - [9]					

Numerals enclosed in parentheses denote a numeric keypad key to be pressed each.					
Group	Subgroup	Item 1	Item 2	Item 3	Explanation
	(1) RELAY TEST [1] - [2]				
		(1) RELAY TEST 1			NCU relay (and switch) ON/OFF test
		(2) RELAY TEST 2			230 V common NCU test
	(2) FREQ TEST [0] - [6]				Frequency test
		(0) FREQ TEST 462Hz			
		(1) FREQ TEST 1100Hz			
		(2) FREQ TEST 1300Hz			
		(3) FREQ TEST 1500Hz			
		(4) FREQ TSST 1650Hz			
		(5) FREQ TEST 1850Hz			
		(6) FREQ TEST 2100Hz			
	(4) G3 SIGNAL TX TEST [0] - [8]				G3 signal transmission test
		(0) G3 SIGNAL TX TEST 300bps			
		(1) G3 SIGNAL TX TEST 2400bps			
		(2) G3 SIGNAL TX TEST 4800bps			
		(3) G3 SIGNAL TX TEST 7200bps			
		(4) G3 SIGNAL TX TEST 9600bps			
		(5) G3 SIGNAL TX TEST TC7200bps			
		(6) G3 SIGNAL TX TEST TC9600bps			
		(7) G3 SIGNAL TX TEST 12000bps			
		(8) G3 SIGNAL TX TEST 14400bps			
	(5) DTMF TEST [0] - [9], *, #				DTMF transmission test
		(0) G3 SIGNAL TX TEST 300bps			
		(1) G3 SIGNAL TX TEST 2400bps			
		(2) G3 SIGNAL TX TEST 4800bps			
		(3) G3 SIGNAL TX TEST 7200bps			
		(4) G3 SIGNAL TX TEST 9600bps			
		(5) G3 SIGNAL TX TEST TC7200bps			
		(6) G3 SIGNAL TX TEST TC9600bps			
		(7) G3 SIGNAL TX TEST 12000bps			
		(8) G3 SIGNAL TX TEST 14400bps			
		(9) G3 SIGNAL TX TEST TC9600bps			
		(*) G3 SIGNAL TX TEST 12000bps			
		(#) G3 SIGNAL TX TEST 14400bps			
	(6) MODEM TEST				Tonal sign reception test
	(8) G3 V.34 Tx TEST				V34 G3 signal transmission test
	(9)				Not used
(5) AGING TEST					Not used
(6) FUNCTION TEST [1] - [9]					

Numerals enclosed in parentheses denote a numeric keypad key to be pressed each.					
Group	Subgroup	Item 1	Item 2	Item 3	Explanation
		(1) FUNCTION TEST G3 4800bps			G3 4800 bps signal transmission test
		(3) 6-3 SENSOR [1] - [6]			Sensor checks
		(1) SENSOR CHECK 0:NORMAL 1:LATCH			
			(0) SENSOR NORMAL [0] - [2]		
			(0) CAS 0 REG 0 DEL 0 MULTI 0		
			(1) TONER 0 FULL 0 2ND-DEL 0000		
			(2) OP1 0000 OP2 0000 OP3 0000 PATH 0000		
		(1) SENSOR LATCH [0] - [2]			
			(0) CAS 0 REG 0 DEL 0 MULTI 0		
			(1) TONER 0 FULL 0 2ND-DEL 0000		
			(2) OP1 0000 OP2 0000 OP3 0000 PATH 0000		
		(2) SWITCH CHECK [0] - [1]			
			(0) CAS 0000 LOCK 0000		
			(1) OP1 0000 OP2 0000 OP3 0000		
		(3) DS ON DES of HPS ON BCVS of			
		(4) REF xxx ANT xxx  ANT-REF  xxx			
		(5) BSCT on BDAC[ A3] BDSS3-0 [ of of of of ]			
		(6) NCR Sts: NCR xxxxx DPT MGN OK RDY 0101			
		(4) ADF FEED TEST			ADF delivery operation test
		(5) BOOK FEED TEST			Book copy operation test
		(6) 6-6 SPEAKER FREQ:[1] VOL:[2]			Speaker volume and buzzer frequency test
		(7) Operation Panel			Operation panel key, LCD and LED test
		(8) FUNCTION TEST LAMP TEST ALL			Lamp test
		(9) LINE TEST [1] - [3]			Line signal reception test
		(0) ROLLER CLEAN 0:PRT 1:ADF			Printer and ADF roller cleaning
		(0) PRT ROL CLEAN Press start key			
		(1) ADF ROL CLEAN Press start key			

### 14.15.3 Test Mode Menu List (iR2020i/iR2016i)

iR2016i / iR2020i

#### Test mode menu list

To invoke test mode, follow these steps:

- 1) Enter service mode.  
Sequentially press the Additional functions key, 2 key, 8 key, and Additional functions key on the operation panel.
- 2) Press the arrow key on the touch panel to display "TEST MODE".
- 3) Press [OK].

T-14-28

Numerals enclosed in parentheses denote a numeric keypad key to be pressed each.					
Group	Subgroup	Item 1	Item 2	Item 3	Explanation
		TEST MODE [1] - [9], [#]			
		(1) DRAM [1] - [2]			D-RAM data check
		(1) D-RAM TEST			Write/read check
		(2) D-RAM TEST			Read check
		(2) SCAN TEST [1] - [8]			
		(1) SHADING			Automatic gain adjustment
		(3) SHEET POS ADJ			CS position adjustment
		(4) TRASH DETECT			Dust detection
		(5), (6), (9), (*)			Not used
		(3) PRINT TEST [1] - [9]			
		(1)			Not used
		(2)			All-black output
		(3)			Not used
		(4)			Back belt output
		(5), (6), (7), (8), (9), (*)			Not used
		(4) MODEM TEST [1] - [9]			

Numerals enclosed in parentheses denote a numeric keypad key to be pressed each.					
Group	Subgroup	Item 1	Item 2	Item 3	Explanation
	(1) RELAY TEST [1] - [2]				
		(1) RELAY TEST 1			NCU relay (and switch) ON/OFF test
		(2) RELAY TEST 2			230 V common NCU test
	(2) FREQ TEST [0] - [6]				Frequency test
		(0) FREQ TEST 462Hz			
		(1) FREQ TEST 1100Hz			
		(2) FREQ TEST 1300Hz			
		(3) FREQ TEST 1500Hz			
		(4) FREQ TSST 1650Hz			
		(5) FREQ TEST 1850Hz			
		(6) FREQ TEST 2100Hz			
	(4) G3 SIGNAL TX TEST [0] - [8]				G3 signal transmission test
		(0) G3 SIGNAL TX TEST 300bps			
		(1) G3 SIGNAL TX TEST 2400bps			
		(2) G3 SIGNAL TX TEST 4800bps			
		(3) G3 SIGNAL TX TEST 7200bps			
		(4) G3 SIGNAL TX TEST 9600bps			
		(5) G3 SIGNAL TX TEST TC7200bps			
		(6) G3 SIGNAL TX TEST TC9600bps			
		(7) G3 SIGNAL TX TEST 12000bps			
		(8) G3 SIGNAL TX TEST 14400bps			
	(5) DTMF TEST [0] - [9], *, #				DTMF transmission test
		(0) G3 SIGNAL TX TEST 300bps			
		(1) G3 SIGNAL TX TEST 2400bps			
		(2) G3 SIGNAL TX TEST 4800bps			
		(3) G3 SIGNAL TX TEST 7200bps			
		(4) G3 SIGNAL TX TEST 9600bps			
		(5) G3 SIGNAL TX TEST TC7200bps			
		(6) G3 SIGNAL TX TEST TC9600bps			
		(7) G3 SIGNAL TX TEST 12000bps			
		(8) G3 SIGNAL TX TEST 14400bps			
		(9) G3 SIGNAL TX TEST TC9600bps			
		(*) G3 SIGNAL TX TEST 12000bps			
		(#) G3 SIGNAL TX TEST 14400bps			
	(6) MODEM TEST				Tonal sign reception test
	(8) G3 V.34 Tx TEST				V34 G3 signal transmission test
	(9)				Not used
(5) AGING TEST					Not used
(6) FUNCTION TEST [1] - [9]					



Numerals enclosed in parentheses denote a numeric keypad key to be pressed each.					
Group	Subgroup	Item 1	Item 2	Item 3	Explanation
	(1)	FUNCTION TEST G3 4800bps			G3 4800 bps signal transmission test
	(3)	6-3 SENSOR [1] - [6]			Sensor checks
	(1)	SENSOR CHECK 0:NORMAL 1:LATCH			
	(0)	SENSOR NORMAL [0] - [2]			
	(0)	CAS 0 REG 0 DEL 0 MULTI 0			
	(1)	TONER 0 FULL 0 2ND-DEL 0000			
	(2)	OP1 0000 OP2 0000 OP3 0000 PATH 0000			
	(1)	SENSOR LATCH [0] - [2]			
	(0)	CAS 0 REG 0 DEL 0 MULTI 0			
	(1)	TONER 0 FULL 0 2ND-DEL 0000			
	(2)	OP1 0000 OP2 0000 OP3 0000 PATH 0000			
	(2)	SWITCH CHECK [0] - [1]			
	(0)	CAS 0000 LOCK 0000			
	(1)	OP1 0000 OP2 0000 OP3 0000			
	(3)	DS ON DES of HPS ON BCVS of			
	(4)	REF xxx ANT xxx  ANT-REF  xxx			
	(5)	BSCT on BDAC[ A3] BDSS3-0 [ of of of of ]			
	(6)	NCR Sts: NCR xxxxx DPT MGN OK RDY 0101			
	(4)	ADF FEED TEST			ADF delivery operation test
	(5)	BOOK FEED TEST			Book copy operation test
	(6)	6-6 SPEAKER FREQ:[1] VOL:[2]			Speaker volume and buzzer frequency test
	(7)	Not used			
	(8)	FUNCTION TEST LAMP TEST ALL			Lamp test
	(9)	LINE TEST [1] - [3]			Line signal reception test
	(0)	ROLLER CLEAN 0:PRT 1:ADF			Printer and ADF roller cleaning
	(0)	PRT ROL CLEAN Press start key			
	(1)	ADF ROL CLEAN Press start key			

**14.15.4 D-RAM Test<(1) D-RAM TEST>**

iR2016J / iR2016 / iR2020 / / iR2016i / iR2020i

**D-RAM Test((1) D-RAM)**

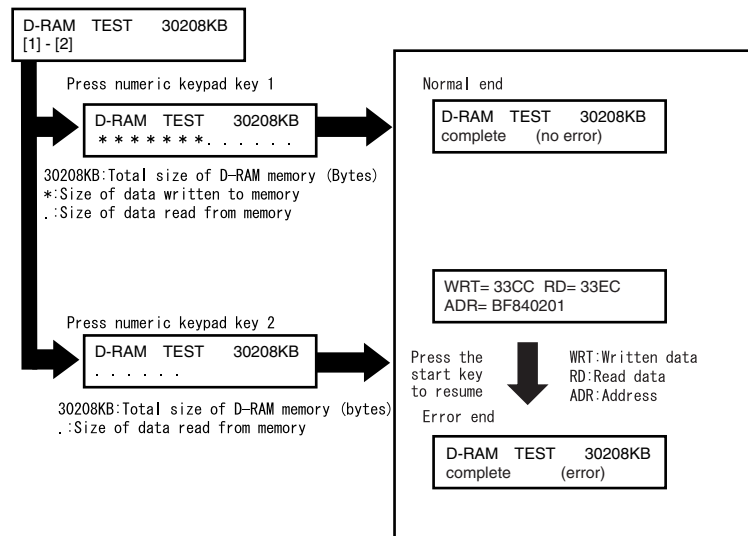
Press the numeric keypad key 1 on the test mode menu to select the D-DRAM test. Press numeric keypad keys 1 and 2 during the D-DRAM test to carry out the individual tests described below.

**Numeric keypad key 1**

Checks to see if data can be correctly written to and read from all areas of D-RAM (SDRAM). If an error occurs making this check, the test is aborted, with an error appearing on the touch panel (LCD).

**Numeric keypad key 2**

Checks to see if data can be correctly read from all areas of D-RAM (SDRAM). If an error occurs making this check, the test is aborted, with an error appearing on the touch panel (LCD).



F-14-13

**14.15.5 Scan Test ((2) SCAN TEST)**

iR2016J / iR2016 / iR2020 / / iR2016i / iR2020i

**Scan test ((2) SCAN TEST)**

Press the numeric keypad key 2 on the test mode menu to select the CCD test.  
Press numeric keypad keys 1, 3 and 4 during the CCD test to carry out the individual tests described below.

Numeric keypad key 1

Corrects the LED output of the contact sensor and sets its parameters automatically. (AGC adjustment)

Numeric keypad key 3

Adjusts the document scan position (only on models with the ADF feature installed). Adjusts the position of the contact sensor for scanning documents fed from the ADF automatically.

Numeric keypad key 4

Detects trash at reader scan positions A/B/C.

Pos A: Reference read position

Pos B: About 0.5 mm inside of the roller from the reference position

Pos C: About 1.0 mm inside of the roller from the reference position

**14.15.6 Print Test ((3) PRINT TEST)**

iR2016J / iR2016 / iR2020 / / iR2016i / iR2020i

**Print test ((3) PRINT TEST)**

Press the numeric keypad key 3 on the test mode menu to select the print test.

Press numeric keypad keys 2 and 4 during the print test to generate test patterns as described below. Two kinds of service test patterns are available. Other test patterns are reserved for factory/development purposes.

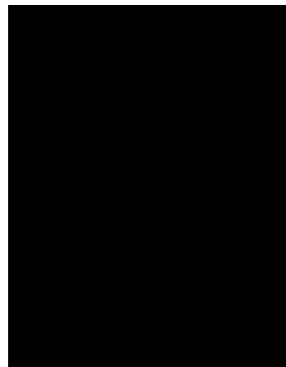
Numeric keypad key 2

(2) BLACK: All-black output

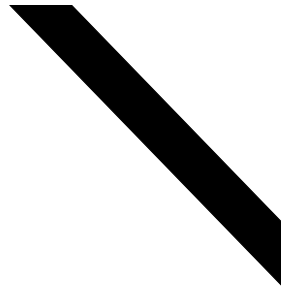
Numeric keypad key 4

(4) ENDURANCE: Black belt output

To cancel test printing, press the stop key.



Use it to make sure that the print pattern does not have white lines or uneven image.



Use it to make sure that the print pattern does not have contraction/elongation of an image or dirt/black lines.

F-14-14

**14.15.7 MODEM Test ((4) MODEM TEST)**

iR2016J / iR2016 / iR2020 / / iR2016i / iR2020i

**MODEM test((4) MODEM TEST)**

These tests test modem and NCU transmission and reception. The modem tests check whether signals are sent correctly from the modem by comparing the sound of the signals from the speaker with the sounds from a normal modem.

End this test by pressing the Stop key.

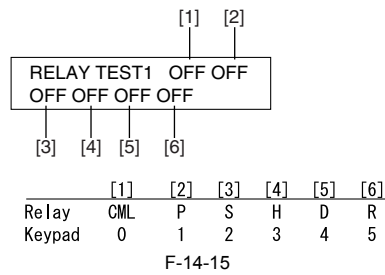
Keypad	Type	Description
1	Relay test	Use it to turn on/off a selected relay to execute a switch-over test
2	Frequency test	The modem sends tonal signals from the modular jack and the speaker.
4	G3 signal transmission test	The modem sends G3 signals from the modular jack and the speaker.
5	DTMF signal reception test	Use it to generate the DTMF signal coming from the modem using the telephone line terminal and the speaker.
6	Tonal signal reception test	Use it to monitor a specific frequency and the DTMF signal received from the telephone line terminal by causing them to be indicated on the LCD (i.e., the presence/absence as detected). The reception signal is generated by the speaker.
8	V.34 G3 signal transmission test	The modem sends V.34 G3 signals from the modular jack and the speaker.

**Relay Test**

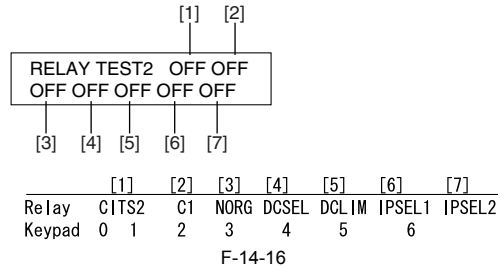
Press '1' or '2' on the keypad on the Modem test menu to select relay test mode. Use the keypad to operate the various relays of the NCU. '2' on the keypad is used for 230V machine.

Numeric keypad key 1

The input key and relay are shown below:



Numeric keypad key 2  
The input key and relay are shown below:



The touch panel (LCD) is turned on or off in relation to the transmission of the relay operation signal as is operated on the keypad; for this reason, you cannot use the touch panel (LCD) to check a fault on a single relay.

#### Frequency Test

A press on '2' on the keypad from the MODEM test menu selects the frequency test. In this test, signals of the following frequencies from the modem are transmitted using the telephone line terminal and the speaker. To select a different frequency, use the keypad.

Keypad	Frequency
1	462Hz
2	1100Hz
3	1300Hz
4	1500Hz
5	1650Hz
6	1850Hz
7	2100Hz

#### MEMO:

The frequency and the output level of individual frequencies are in keeping with the output level set in service mode.

#### G3 Signal Transmission Test

A press on '4' on the keypad from the MODEM test menu selects the G3 signal transmission test. In this test, the following G3 signals from the modem are transmitted using the telephone line terminal and the speaker. To select a different transmission speed, use the keypad.

Keypad	Transmission speed
0	300bps
1	2400bps
2	4800bps
3	7200bps
4	9600bps
5	TC7200bps
6	TC9600bps
7	12000bps
8	14400bps

#### MEMO:

The output level of individual signals is in keeping with the setting made in service mode.

#### DTMF Signal Transmission Test

A press on '5' on the MODEM test menu selects the DTMF signal transmission test. In the test, the following DTMF signals from the modem are transmitted using the telephone line terminal and the speaker. The number pressed on the keypad selects a specific DTMF signal.

#### MEMO:

The output level of individual signals is in keeping with the setting made in service mode.

#### Tonal/DTMF Signal Reception Test

A press on '6' on the keypad from the MODEM test menu selects the tonal signal/DTMF signal reception 0 test. In this signal, the tonal signal/DTMF signal received from the telephone line terminal can be checked to find out if it was detected by the modem.

## Tonal signal reception test

MODEM TEST OFF OFF OFF
---------------------------

OFF OFF OFF

- changes from '0' to '1' in response to detection of a signal of  $462 \pm 25$  Hz.
- changes from '0' to '1' in response to detection of a signal of  $1100 \pm 30$  Hz.
- changes from '0' to '1' in response to detection of a signal of  $2100 \pm 25$  Hz.

## DTMF signal reception test

MODEM TEST OFF OFF OFF 5
-----------------------------

The received DTMF signals are indicated starting from the right using the 2nd character of the display.

F-14-17

**V.34 G3 Signal Transmission Test**

A press on '8' on the keypad from the MODEM test menu selects the V.34 G3 signal transmission test. The V.34 G3 signals below are sent from the modem using the modular jack and the speaker by pressing the start key. The Baud rate can be changed with the keypad, and the Speed can be changed with the left/right arrow key.

Keypad	Baud rate
0	3429baud
1	3200baud
2	3000baud
3	2800baud
4	2743baud
5	2400baud

Left/right arrow key	Transmission speed
	2400bps
	4800bps
	7200bps
	9600bps
<	12000bps
	14400bps
	16800bps
	19200bps
	21600bps
>	24000bps
	26400bps
	28800bps
	31200bps
	33600bps

**14.15.8 Function Test ((6) FUNCTION TEST) (iR2020/iR2020J)**

iR2020 /

**Function test ((6) FUNCTION TEST)**

Press the numeric keypad key 6 on the test mode menu to select the function test.  
Press numeric keypad keys 1 and 3 to 9 during the function test to enter the menus listed below.

T-14-29

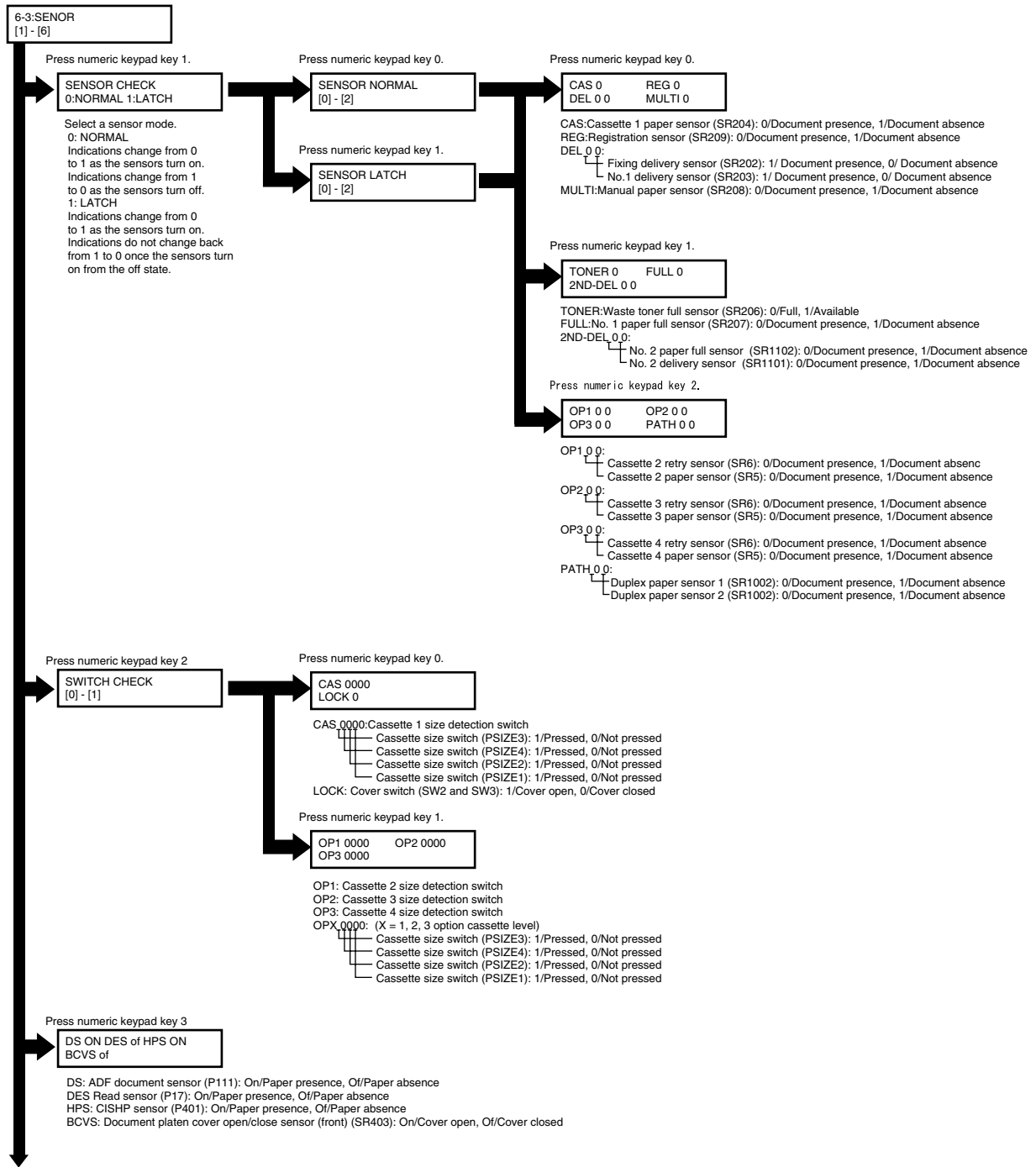
Keypad	Item	Explanation
1	G3 signal transmission test	Transmits 4800-bps G3 signals to a telephone line and speaker.
2	Not used	
3	Sensor test	Sensor actuation test
4	ADF test	ADF operation test
5	Book test	Host machine operation test
6	Speaker test	Speaker operation test
7	Operation panel test	LCD, LED and control key operation test
8	Lamp test	Contact sensor illumination test
9	Line signal reception test	NCU board signal sensor and frequency counter operation test

**G3 signal transmission test (6-1: G3 480 bps Tx)**

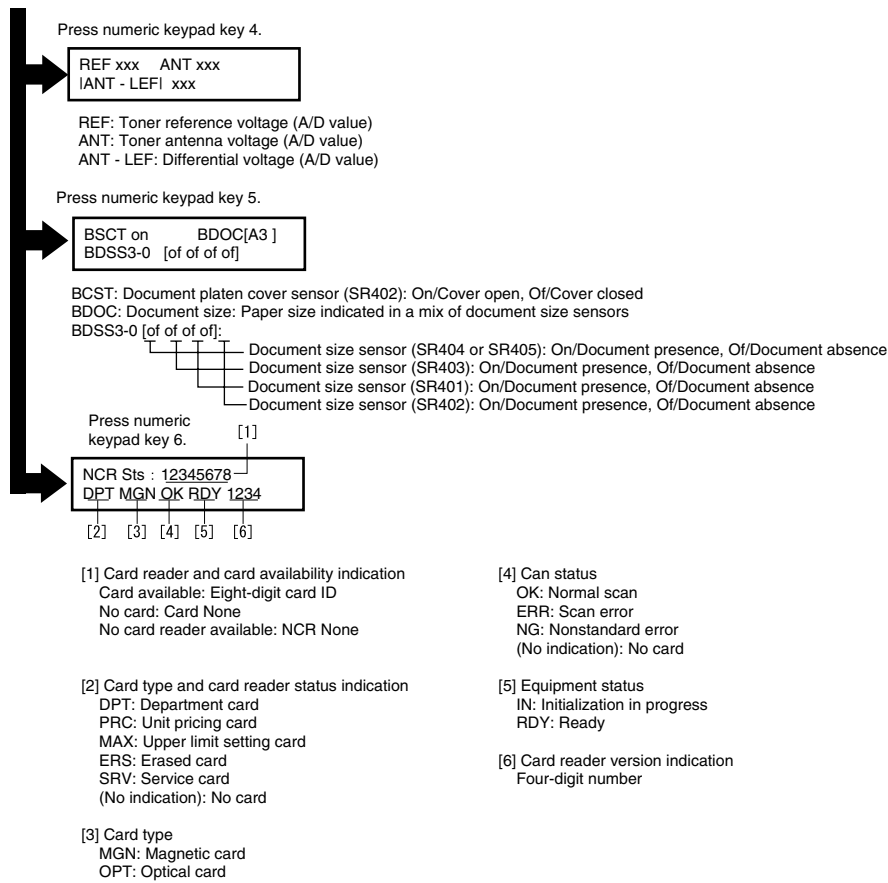
Press numeric keypad key 1 on the FUNCTION TEST menu to select the G3 signal transmission test. This test transmits 4800-bps G3 signals from the telephone line connection terminal and speaker.

**Sensor test (6-3: SENSOR)**

This mode is used to verify the status of the unit sensors from LCD indications. Press numeric keypad key 3 on the FUNCTION TEST menu to select the sensor test. LCD indications change as the associated sensors turn on and off.



F-14-18



F-14-19

**ADF feed test (6-4: ADF FEED TEST)**

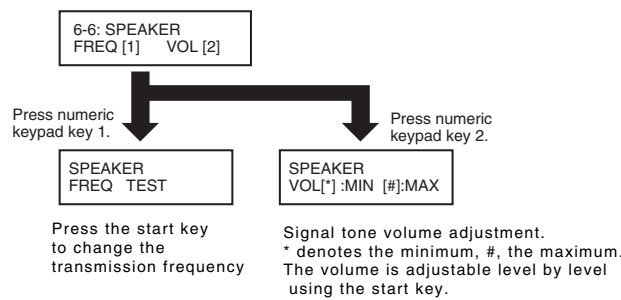
ADF operation verification mode. Press numeric keypad key 4 on the FUNCTION TEST menu to select the ADF feed test. Place a document on the document platen and press the start key to transfer the document at the speed matched to the scan resolution setting. In this test, enter a transfer speed between 500 and 2000 (mm/s) from the numeric keypad and verify the transfer speed. Select between the ON and OFF states with the left and right cursor keys to select between single-sided document feed (OFF) and double-sided document feed (ON).

**Book feed test (6-5: BOOK FEED TEST)**

Performs a book feed operation with a specified magnification and in a specified size.

**Speaker test (6-6: SPEAKER)**

Speaker operation verification mode. Press numeric keypad key 6 on the FUNCTION TEST menu to select the speaker test. In this test, the speaker generates tonal signals at 100 Hz intervals, from 200 Hz to 5 kHz, in varying sound volumes. Signal output from the speaker is thus verified.



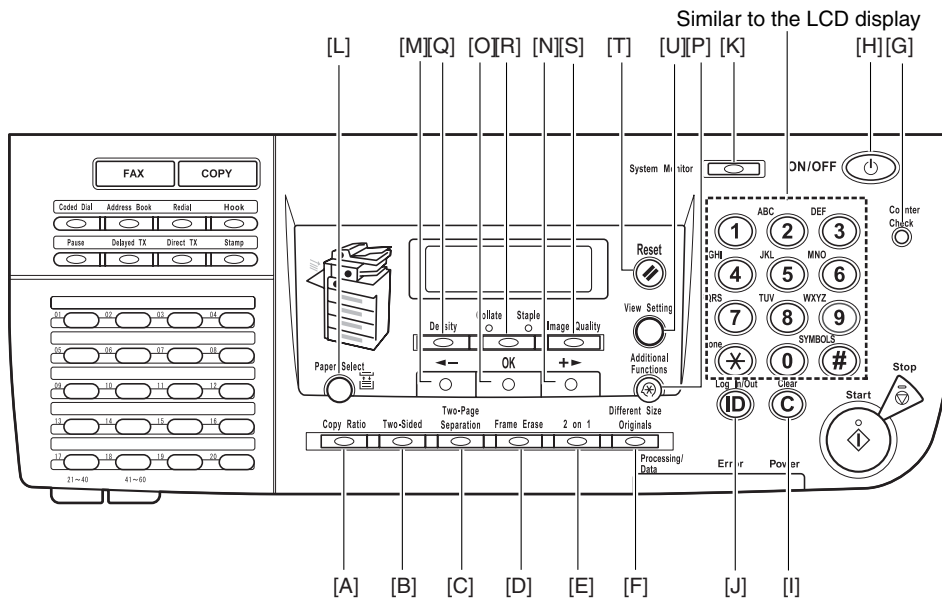
F-14-20

**Operation panel test (6-7: OPERATION PANEL)**

Operation panel operation verification mode. Press numeric keypad key 7 on the FUNCTION TEST menu to select the OPERATION PANEL test menu. Functions that can be verified from this menu are listed below.

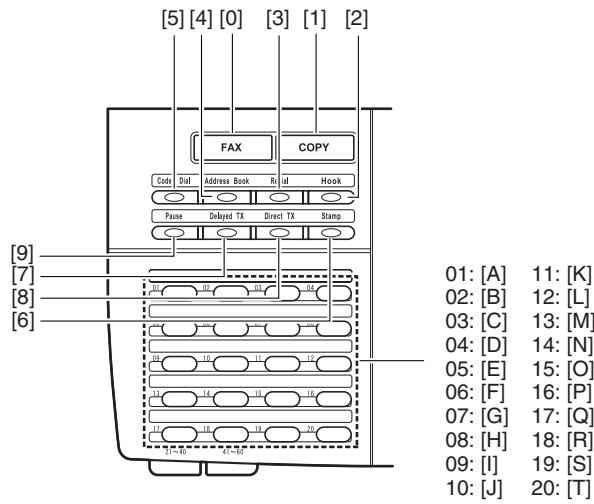
- LCD test  
Start the OPERATION PANEL test by pressing the start key. The LCD test is carried out first, displaying all-H characters. Press the start key once again to produce a total black display.
- LED lamp test  
Press the start key after the LCD test to select the LCD lamp test, turning on all lamps on the operation panel.
- Operation key test  
Press the start key after the LCD lamp test to select operation key test (1). The test succeeds if the characters appearing in the LCD are erased when the corresponding keys are pressed.  
When the entire character display is erased, operation key test (2) launches (only on models with the FAX feature installed). As in (1), the test succeeds if the characters appearing in the LCD are erased when the corresponding keys are pressed.

**Operation key test (1) correspondence diagram**



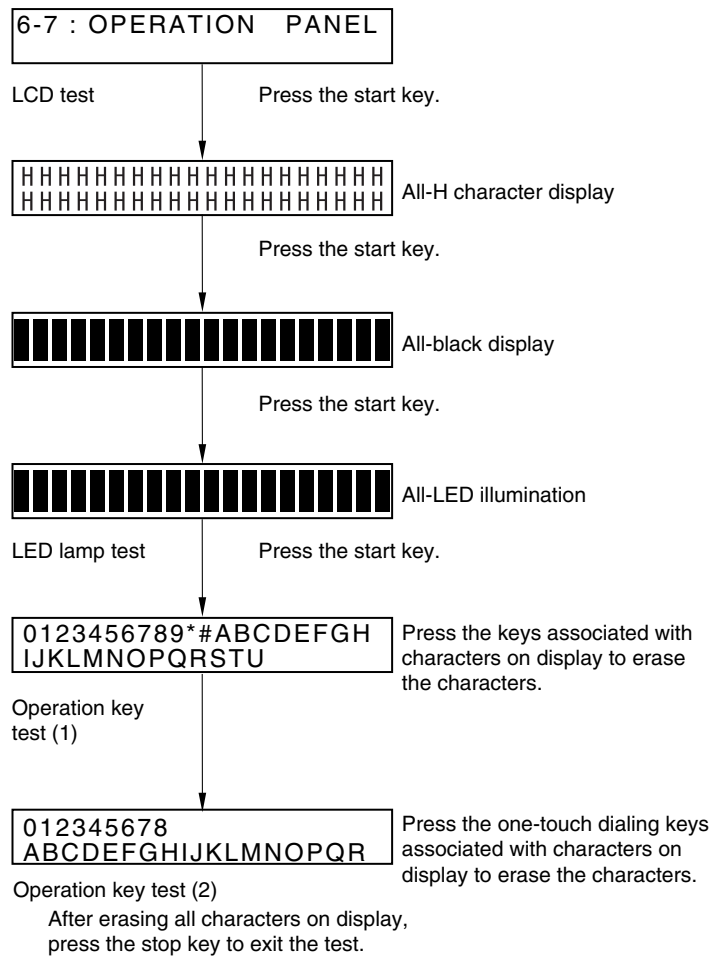
F-14-21

Operation key test (2) correspondence diagram



F-14-22

The flow of operation panel testing is shown below.



F-14-23

**Lamp test (6-8: LINE DETECT)**

Press numeric keypad key 8 on the FACULTY menu to select the scan lamp illumination mode. The test checks to see if the scan lamp is on or not. Numeric keypad key 1 selects LAMP TEST ALL. Press the start key to turn on all scan lamps. LAMP TEST AGC is not used.

**Line signal reception test (6-9: LINE DETECT)**

Press numeric keypad key 9 on the FACULTY menu to select the line signal reception test. In this test, verify the successful operations of the NCU signal sensor and the frequency counter. Menu 1 detects the CI state, while menu 3 detects the CNG signal.

**Test menu 1**

Press numeric keypad key 1 on the LINE DETECT menu to select test menu 1. When CI is detected on the telephone line connection terminal, the LCD display changes from OFF to ON, indicating the received frequency. The LCD also displays the on-hook or off-hook state of an external telephone set as detected. The LCD displays, from left to right, CI, CI frequency, hook port and FC with indications of 1:ON and 0:OFF.

**Test menu 2**

Press numeric keypad key 2 on the LINE DETECT menu to select test menu 2. When the CNG signal is detected on the telephone line connection terminal, the LCD display changes from OFF to ON, indicating the received frequency. The LCD displays the status of CML, CNG and FED detection, from left to right, with ON/OFF indications. Numeric keypad key 2 turns on the CML relay to detect CNG.

**Test menu 3**

Press numeric keypad key 3 on the LINE DETECT menu to select test menu 3. When the CNG signal is detected on the telephone line connection terminal, the LCD display changes from OFF to ON, indicating the received frequency. The LCD displays the status of CML, CNG and FED detection, from left to right, with ON/OFF indications. Numeric keypad key 3 turns off the CML relay to detect CNG.

**14.15.9 Function Test ((6) FUNCTION TEST) (iR2016/iR2016J)**

iR2016J / iR2016

**Function test ((6) FUNCTION TEST)**

Press the numeric keypad key 6 on the test mode menu to select the function test. Press numeric keypad keys 1 and 3 to 9 during the function test to enter the menus listed below.

T-14-30

Keypad	Item	Explanation
1	G3 signal transmission test	Transmits 4800-bps G3 signals to a telephone line and speaker.
2	Not used	
3	Sensor test	Sensor actuation test
4	ADF test	ADF operation test
5	Book test	Host machine operation test
6	Speaker test	Speaker operation test
7	Operation panel test	LCD, LED and control key operation test
8	Lamp test	Contact sensor illumination test
9	Line signal reception test	NCU board signal sensor and frequency counter operation test

**G3 signal transmission test (6-1: G3 480 bps Tx)**

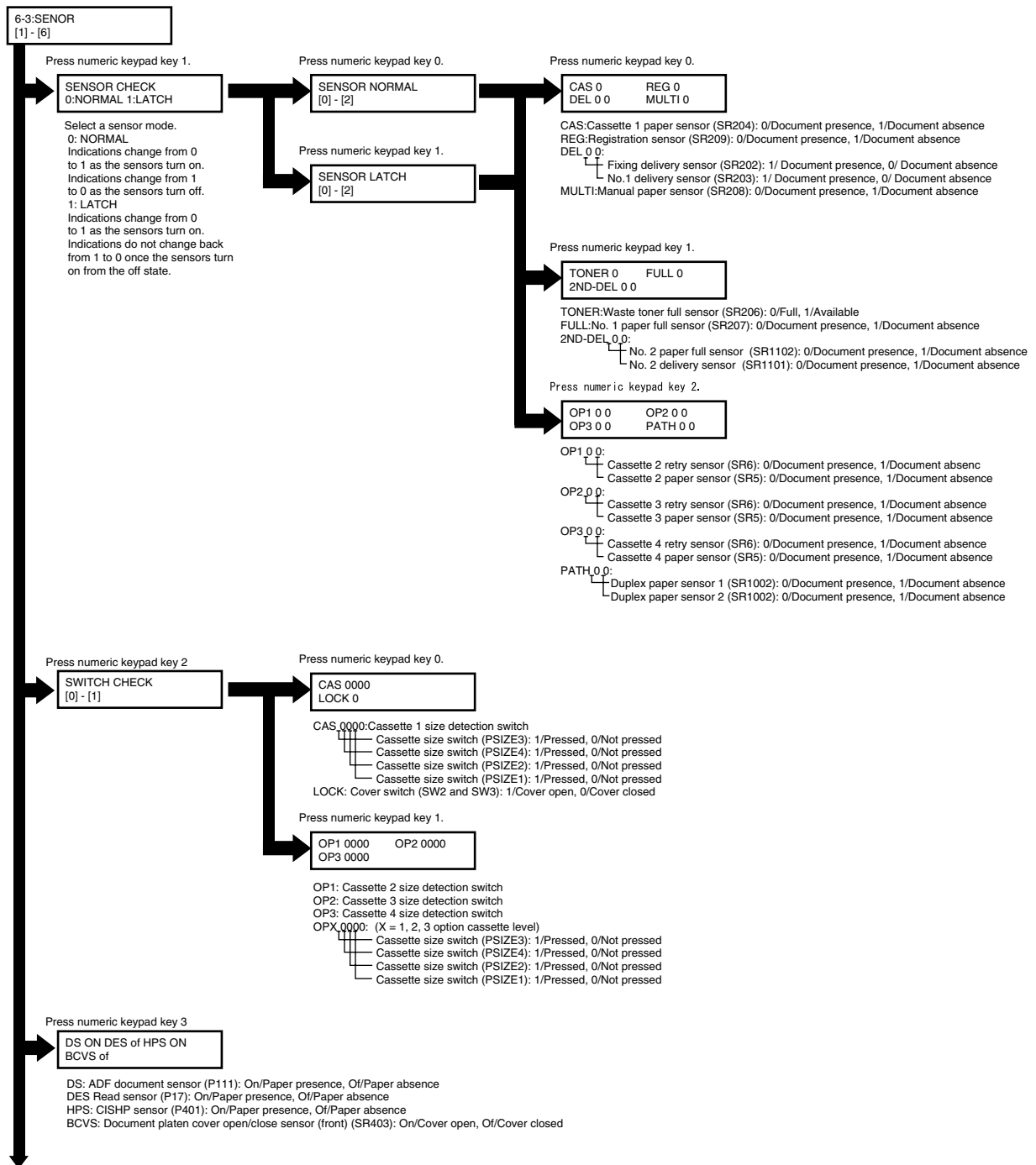
Press numeric keypad key 1 on the FUNCTION TEST menu to select the G3 signal transmission test. This test transmits 4800-bps G3 signals from the telephone

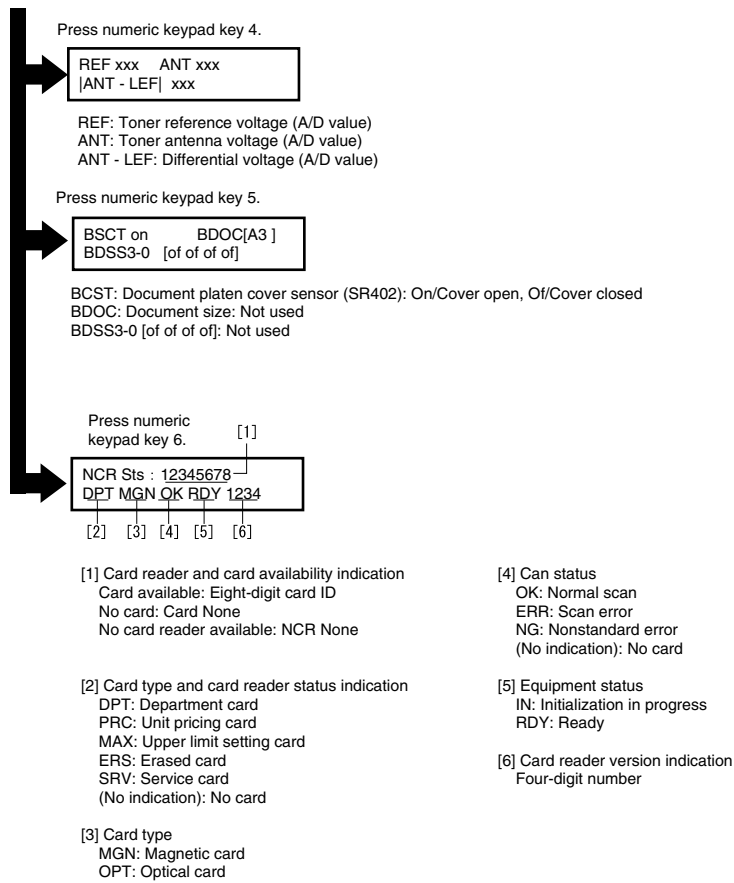


line connection terminal and speaker.

**Sensor test (6-3: SENSOR)**

This mode is used to verify the status of the unit sensors from the touch panel (LCD) indications. Press numeric keypad key 3 on the FUNCTION TEST menu to select the sensor test. The touch panel (LCD) indications change as the associated sensors turn on and off.





F-14-25

**ADF feed test (6-4: ADF FEED TEST)**

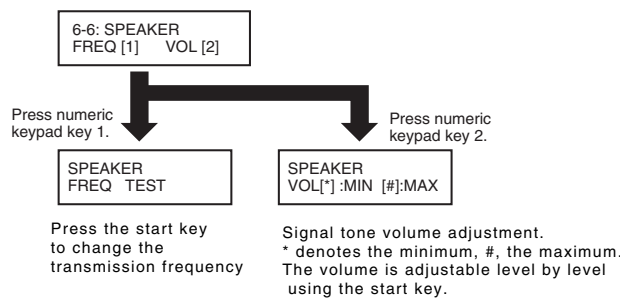
ADF operation verification mode. Press numeric keypad key 4 on the FUNCTION TEST menu to select the ADF feed test. Place a document on the document platen and press the start key to transfer the document at the speed matched to the scan resolution setting. In this test, enter a transfer speed between 500 and 2000 (mm/s) from the numeric keypad and verify the transfer speed. Select between the ON and OFF states with the left and right cursor keys to select between single-sided document feed (OFF) and double-sided document feed (ON).

**Book feed test (6-5: BOOK FEED TEST)**

Performs a book feed operation with a specified magnification and in a specified size.

**Speaker test (6-6: SPEAKER)**

Speaker operation verification mode. Press numeric keypad key 6 on the FUNCTION TEST menu to select the speaker test. In this test, the speaker generates tonal signals at 100 Hz intervals, from 200 Hz to 5 kHz, in varying sound volumes. Signal output from the speaker is thus verified.



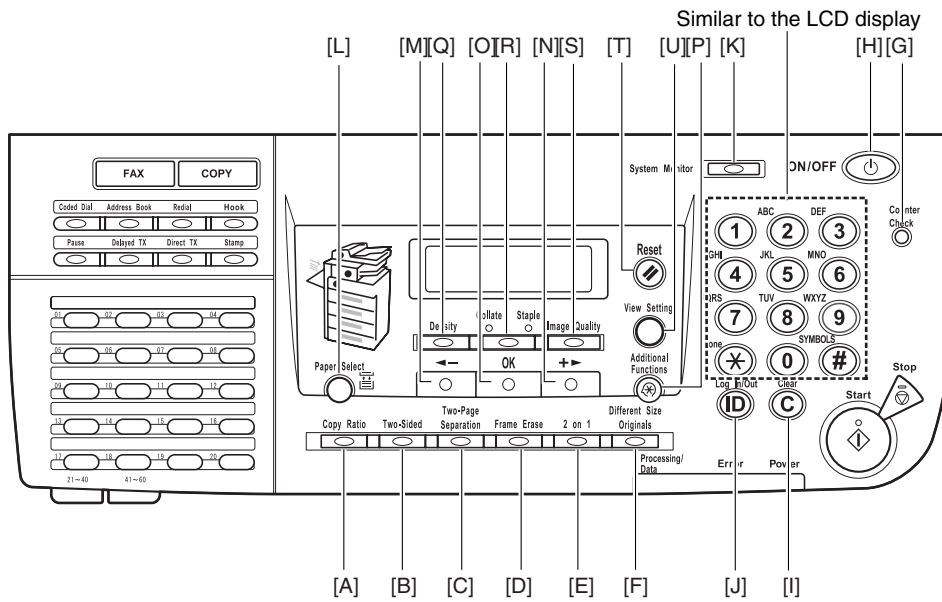
F-14-26

**Operation panel test (6-7: OPERATION PANEL)**

Operation panel operation verification mode. Press numeric keypad key 7 on the FUNCTION TEST menu to select the OPERATION PANEL test menu. Functions that can be verified from this menu are listed below.

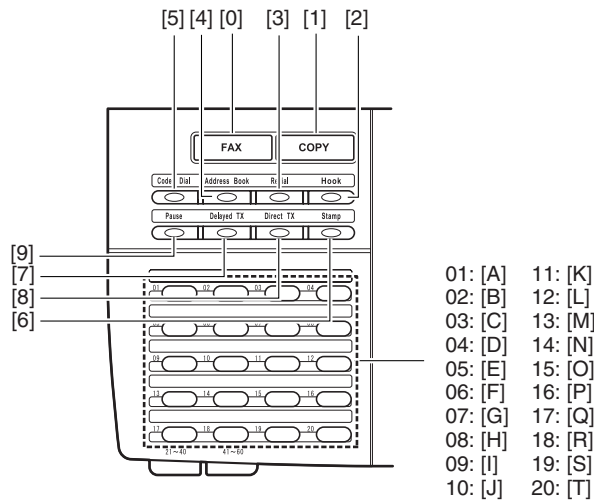
- LCD test  
Start the OPERATION PANEL test by pressing the start key. The LCD test is carried out first, displaying all-H characters. Press the start key once again to produce a total black display.
- LED lamp test  
Press the start key after the LCD test to select the LCD lamp test, turning on all lamps on the operation panel.
- Operation key test  
Press the start key after the LCD lamp test to select operation key test (1). The test succeeds if the characters appearing in the LCD are erased when the corresponding keys are pressed.  
When the entire character display is erased, operation key test (2) launches (only on models with the FAX feature installed). As in (1), the test succeeds if the characters appearing in the LCD are erased when the corresponding keys are pressed.

**Operation key test (1) correspondence diagram**



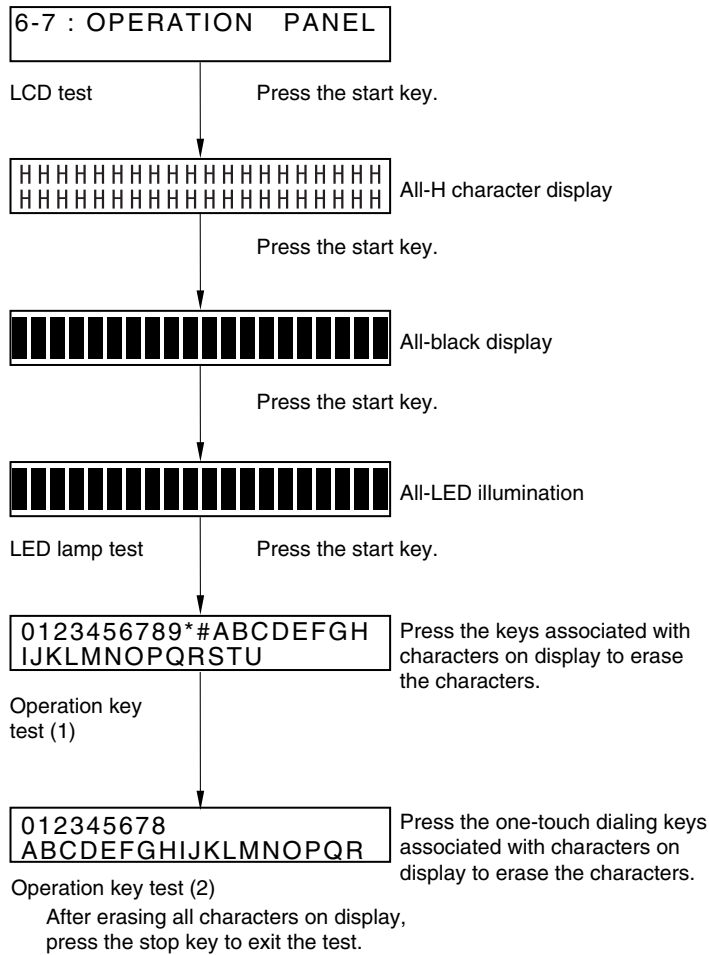
F-14-27

Operation key test (2) correspondence diagram



F-14-28

The flow of operation panel testing is shown below.



F-14-29

**Lamp test (6-8: LINE DETECT)**

Press numeric keypad key 8 on the FACULTY menu to select the scan lamp illumination mode. The test checks to see if the scan lamp is on or not. Numeric keypad key 1 selects LAMP TEST ALL. Press the start key to turn on all scan lamps. LAMP TEST AGC is not used.

**Line signal reception test (6-9: LINE DETECT)**

Press numeric keypad key 9 on the FACULTY menu to select the line signal reception test. In this test, verify the successful operations of the NCU signal sensor and the frequency counter. Menu 1 detects the CI state, while menu 3 detects the CNG signal.

**Test menu 1**

Press numeric keypad key 1 on the LINE DETECT menu to select test menu 1. When CI is detected on the telephone line connection terminal, the LCD display changes from OFF to ON, indicating the received frequency. The LCD also displays the on-hook or off-hook state of an external telephone set as detected. The LCD displays, from left to right, CI, CI frequency, hook port and FC with indications of 1:ON and 0:OFF.

**Test menu 2**

Press numeric keypad key 2 on the LINE DETECT menu to select test menu 2. When the CNG signal is detected on the telephone line connection terminal, the LCD display changes from OFF to ON, indicating the received frequency. The LCD displays the status of CML, CNG and FED detection, from left to right, with ON/OFF indications. Numeric keypad key 2 turns on the CML relay to detect CNG.

**Test menu 3**

Press numeric keypad key 3 on the LINE DETECT menu to select test menu 3. When the CNG signal is detected on the telephone line connection terminal, the LCD display changes from OFF to ON, indicating the received frequency. The LCD displays the status of CML, CNG and FED detection, from left to right, with ON/OFF indications. Numeric keypad key 3 turns off the CML relay to detect CNG.

**14.15.10 Function Test ((6) FUNCTION TEST) (iR2020i)**

iR2020i

**Function test ((6) FUNCTION TEST)**

Press the numeric keypad key 6 on the test mode menu to select the function test. Press numeric keypad keys 1 and 3 to 9 during the function test to enter the menus listed below.

T-14-31

Keypad	Item	Explanation
1	G3 signal transmission test	Transmits 4800-bps G3 signals to a telephone line and speaker.
2	Not used	
3	Sensor test	Sensor actuation test
4	ADF test	ADF operation test
5	Book test	Host machine operation test
6	Speaker test	Speaker operation test
7	Not used	
8	Lamp test	Contact sensor illumination test
9	Line signal reception test	NCU board signal sensor and frequency counter operation test

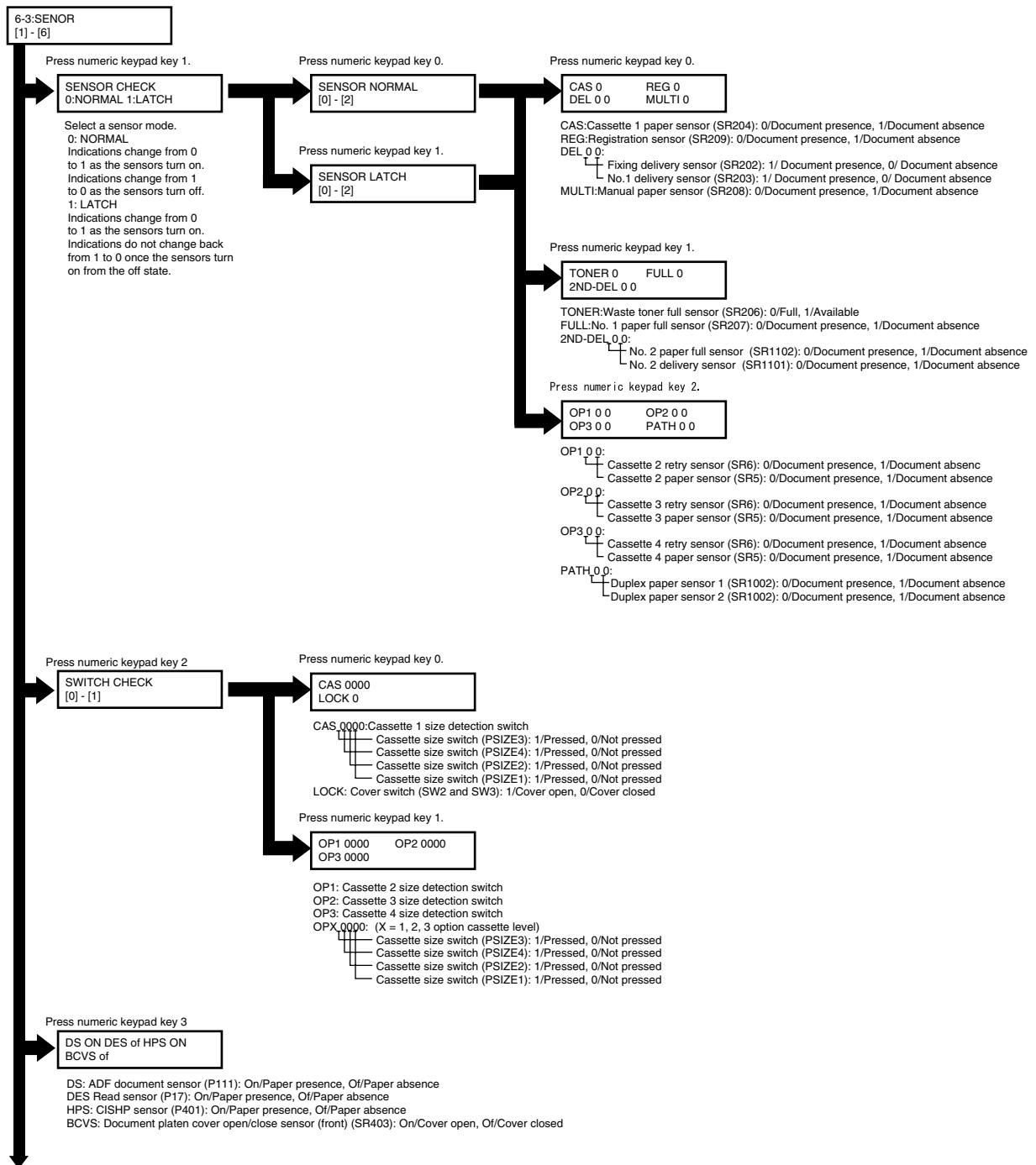
**G3 signal transmission test (6-1: G3 480 bps Tx)**

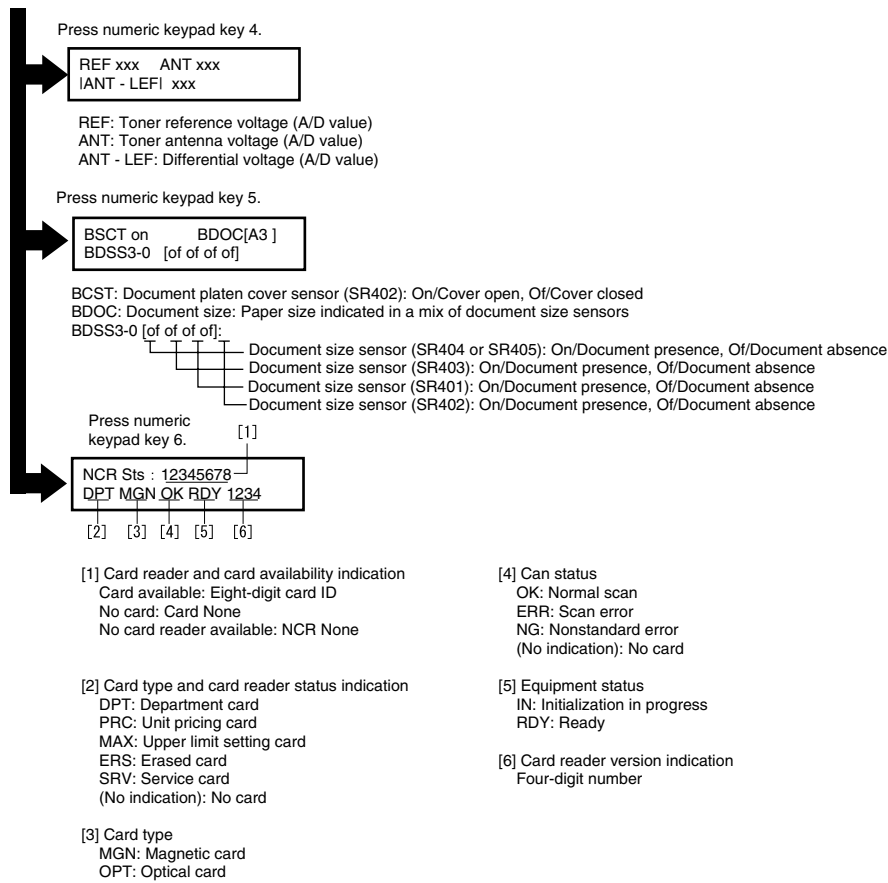
Press numeric keypad key 1 on the FUNCTION TEST menu to select the G3 signal transmission test. This test transmits 4800-bps G3 signals from the telephone

line connection terminal and speaker.

**Sensor test (6-3: SENSOR)**

This mode is used to verify the status of the unit sensors from the touch panel (LCD) indications. Press numeric keypad key 3 on the FUNCTION TEST menu to select the sensor test. The touch panel (LCD) indications change as the associated sensors turn on and off.





F-14-31

**ADF feed test (6-4: ADF FEED TEST)**

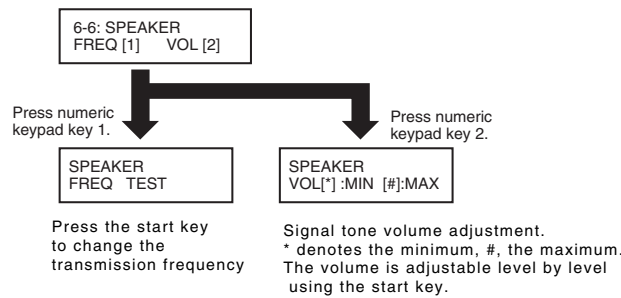
ADF operation verification mode. Press numeric keypad key 4 on the FUNCTION TEST menu to select the ADF feed test. Place a document on the document platen and press the start key to transfer the document at the speed matched to the scan resolution setting. In this test, enter a transfer speed between 500 and 2000 (mm/s) from the numeric keypad and verify the transfer speed. Select between the ON and OFF states with the left and right cursor keys to select between single-sided document feed (OFF) and double-sided document feed (ON).

**Book feed test (6-5: BOOK FEED TEST)**

Performs a book feed operation with a specified magnification and in a specified size.

**Speaker test (6-6: SPEAKER)**

Speaker operation verification mode. Press numeric keypad key 6 on the FUNCTION TEST menu to select the speaker test. In this test, the speaker generates tonal signals at 100 Hz intervals, from 200 Hz to 5 kHz, in varying sound volumes. Signal output from the speaker is thus verified.



F-14-32

**Lamp test (6-8: LAMP TEST)**

Press numeric keypad key 8 on the FACULTY menu to select the scan lamp illumination mode. The test checks to see if the scan lamp is on or not. Numeric keypad key 1 selects LAMP TEST ALL. Press the start key to turn on all scan lamps. LAMP TEST AGC is not used.

**Line signal reception test (6-9 LINE DETECT)**

Press numeric keypad key 9 on the FACULTY menu to select the line signal reception test. In this test, verify the successful operations of the NCU signal sensor and the frequency counter. Menu 1 detects the CI state, while menu 3 detects the CNG signal.

**Test menu 1**

Press numeric keypad key 1 on the LINE DETECT menu to select test menu 1. When CI is detected on the telephone line connection terminal, the touch panel (LCD) display changes from OFF to ON, indicating the received frequency. The touch panel (LCD) also displays the on-hook or off-hook state of an external telephone set as detected. The touch panel (LCD) displays, from left to right, CI, CI frequency, hook port and FC with indications of 1:ON and 0:OFF.

**Test menu 2**

Press numeric keypad key 2 on the LINE DETECT menu to select test menu 2. When the CNG signal is detected on the telephone line connection terminal, the touch panel (LCD) display changes from OFF to ON, indicating the received frequency. The touch panel (LCD) displays the status of CML, CNG and FED detection, from left to right, with ON/OFF indications. Numeric keypad key 2 turns on the CML relay to detect CNG.

**Test menu 3**

Press numeric keypad key 3 on the LINE DETECT menu to select test menu 3. When the CNG signal is detected on the telephone line connection terminal, the touch panel (LCD) display changes from OFF to ON, indicating the received frequency. The touch panel (LCD) displays the status of CML, CNG and FED detection, from left to right, with ON/OFF indications. Numeric keypad key 3 turns off the CML relay to detect CNG.

#### 14.15.11 Function Test ((6) FUNCTION TEST) (iR2016i)

iR2016i

##### Function test ((6) FUNCTION TEST)

Press the numeric keypad key 6 on the test mode menu to select the function test.

Press numeric keypad keys 1 and 3 to 9 during the function test to enter the menus listed below.

T-14-32

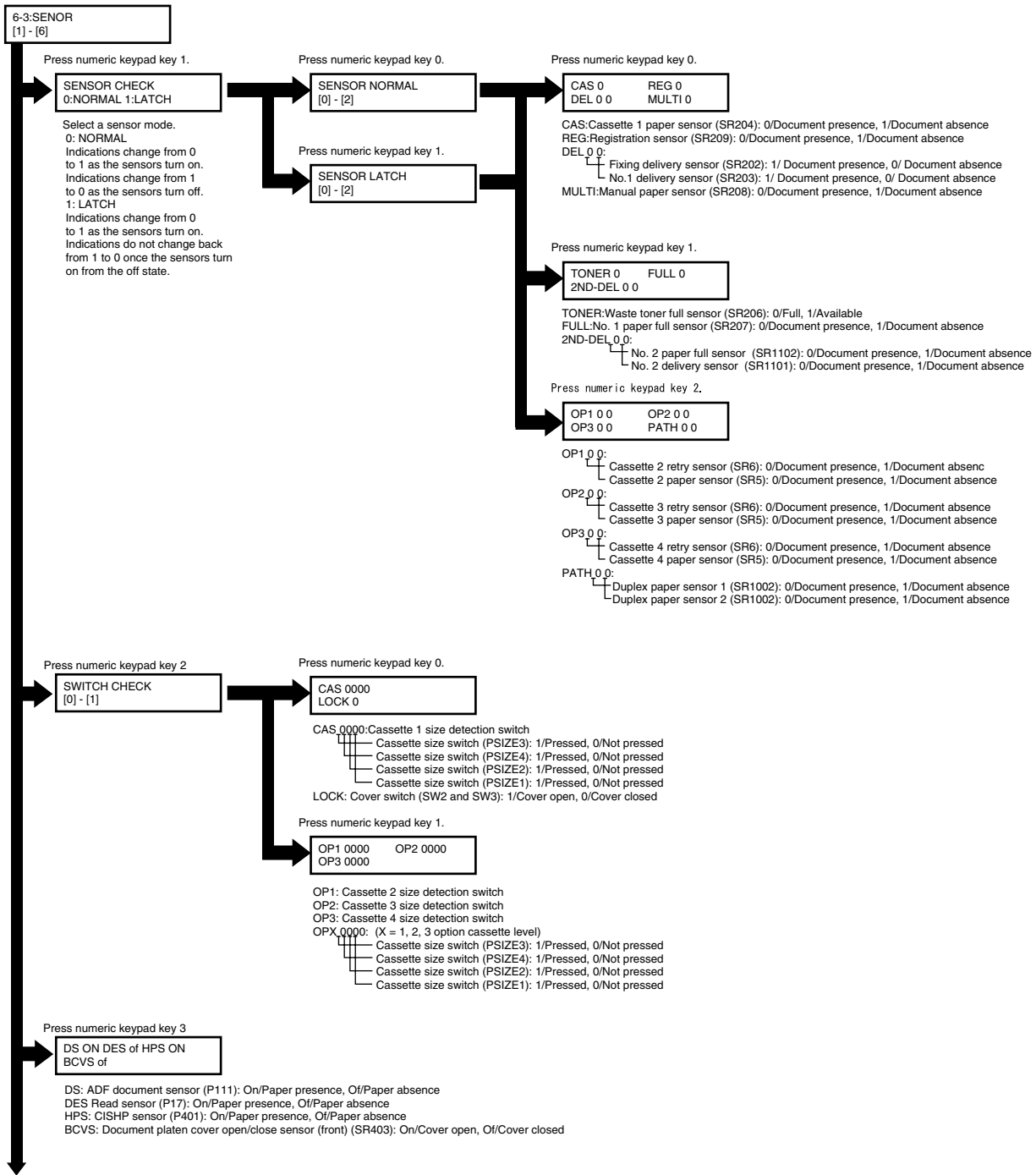
Keypad	Item	Explanation
1	G3 signal transmission test	Transmits 4800-bps G3 signals to a telephone line and speaker.
2	Not used	
3	Sensor test	Sensor actuation test
4	ADF test	ADF operation test
5	Book test	Host machine operation test
6	Speaker test	Speaker operation test
7	Not used	
8	Lamp test	Contact sensor illumination test
9	Line signal reception test	NCU board signal sensor and frequency counter operation test

##### G3 signal transmission test (6-1: G3 480 bps Tx)

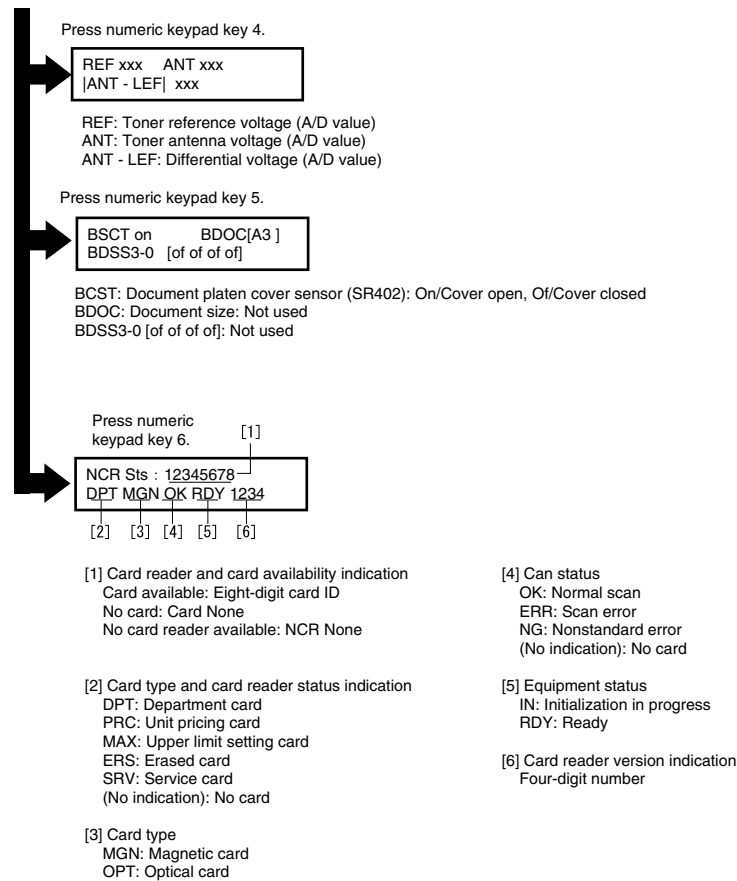
Press numeric keypad key 1 on the FUNCTION TEST menu to select the G3 signal transmission test. This test transmits 4800-bps G3 signals from the telephone line connection terminal and speaker.

##### Sensor test (6-3: SENSOR)

This mode is used to verify the status of the unit sensors from the touch panel (LCD) indications. Press numeric keypad key 3 on the FUNCTION TEST menu to select the sensor test. The touch panel (LCD) indications change as the associated sensors turn on and off.







F-14-34

**ADF feed test (6-4: ADF FEED TEST)**

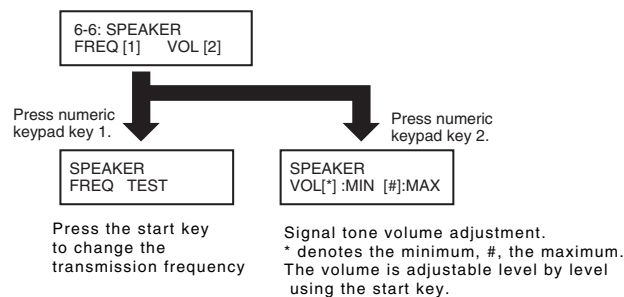
ADF operation verification mode. Press numeric keypad key 4 on the FUNCTION TEST menu to select the ADF feed test. Place a document on the document platen and press the start key to transfer the document at the speed matched to the scan resolution setting. In this test, enter a transfer speed between 500 and 2000 (mm/s) from the numeric keypad and verify the transfer speed. Select between the ON and OFF states with the left and right cursor keys to select between single-sided document feed (OFF) and double-sided document feed (ON).

**Book feed test (6-5: BOOK FEED TEST)**

Performs a book feed operation with a specified magnification and in a specified size.

**Speaker test (6-6: SPEAKER)**

Speaker operation verification mode. Press numeric keypad key 6 on the FUNCTION TEST menu to select the speaker test. In this test, the speaker generates tonal signals at 100 Hz intervals, from 200 Hz to 5 kHz, in varying sound volumes. Signal output from the speaker is thus verified.



F-14-35

**Lamp test (6-8: LAMP TEST)**

Press numeric keypad key 8 on the FACULTY menu to select the scan lamp illumination mode. The test checks to see if the scan lamp is on or not. Numeric keypad key 1 selects LAMP TEST ALL. Press the start key to turn on all scan lamps. LAMP TEST AGC is not used.

**Line signal reception test (6-9 LINE DETECT)**

Press numeric keypad key 9 on the FACULTY menu to select the line signal reception test. In this test, verify the successful operations of the NCU signal sensor and the frequency counter. Menu 1 detects the CI state, while menu 3 detects the CNG signal.

**Test menu 1**

Press numeric keypad key 1 on the LINE DETECT menu to select test menu 1. When CI is detected on the telephone line connection terminal, the touch panel (LCD) display changes from OFF to ON, indicating the received frequency. The touch panel (LCD) also displays the on-hook or off-hook state of an external telephone set as detected. The touch panel (LCD) displays, from left to right, CI, CI frequency, hook port and FC with indications of 1:ON and 0:OFF.

**Test menu 2**

Press numeric keypad key 2 on the LINE DETECT menu to select test menu 2. When the CNG signal is detected on the telephone line connection terminal, the touch panel (LCD) display changes from OFF to ON, indicating the received frequency. The touch panel (LCD) displays the status of CML, CNG and FED detection, from left to right, with ON/OFF indications. Numeric keypad key 2 turns on the CML relay to detect CNG.

**Test menu 3**

Press numeric keypad key 3 on the LINE DETECT menu to select test menu 3. When the CNG signal is detected on the telephone line connection terminal, the touch panel (LCD) display changes from OFF to ON, indicating the received frequency. The touch panel (LCD) displays the status of CML, CNG and FED detection, from left to right, with ON/OFF indications. Numeric keypad key 3 turns off the CML relay to detect CNG.

#### **14.15.12 Roller cleaning mode ((0) ROLLER CLEAN)**

iR2016J / iR2016 / iR2020 / / iR2016i / iR2020i

##### **Roller cleaning mode ((0) ROLLER CLEAN)**

Press numeric keypad key 0 in test mode to select roller cleaning mode. Press numeric keypad keys 1 and 2 during this test to enter the following menus:

Numeric keypad key 1

Press the start key clean the ADF pickup/feed rollers by idling.

Press the stop key to exit this mode.

Numeric keypad key 2

Press the start key clean the unit transfer rollers by idling.

Press the stop key to exit this mode.

---

## Chapter 15 Upgrading

---



---

# Contents

15.1 Outline.....	15-1
15.1.1 Overview of Upgrade.....	15-1
15.1.2 Overview of Upgrade.....	15-1
15.1.3 Overview of Service Support Tool .....	15-1
15.1.4 Overview of Service Support Tool .....	15-1
15.2 Making Preparations .....	15-2
15.2.1 Registering the System Software .....	15-2
15.2.2 Registering the System Software .....	15-4
15.2.3 Connection .....	15-6
15.3 Downloading System Software.....	15-7
15.3.1 Downloading System .....	15-7
15.3.1.1 Downloading Procedure.....	15-7
15.3.1.2 Downloading Procedure.....	15-12
15.3.2 Downloading RUI, and Language .....	15-18
15.3.2.1 Downloading Procedure.....	15-18
15.3.3 Downloading BOOT .....	15-18
15.3.3.1 Downloading Procedure.....	15-18
15.3.4 Other Upgrade Methods.....	15-18
15.3.4.1 Downloading the PCL Software .....	15-18
15.3.4.2 Downloading the PCL Software .....	15-19



## 15.1 Outline

### 15.1.1 Overview of Upgrade

iR2016J / iR2016 / iR2020 /

This machine and options can be upgraded by downloading system software programs from the personal computer (hereafter called as the PC) in which a service support tool (hereafter called SST) has been loaded.

System software programs and upgrade tools are listed in the following table:

T-15-1

Type	System software type	Upgrade tool	Remarks
		SST	
Main unit	System (main controller)	Yes	The main controller also controls the reader.
	Boot (boot program)	Yes	
Option	PCL (PCL printer kit-J1)	Yes	
	Fin_U1 (Finisher-U1)	Yes	Dedicated service tool (Downloader PCB: FY9-2034)

### 15.1.2 Overview of Upgrade

iR2016i / iR2020i

This machine and options can be upgraded by downloading system software programs from the personal computer (hereafter called as the PC) in which a service support tool (hereafter called SST) has been loaded.

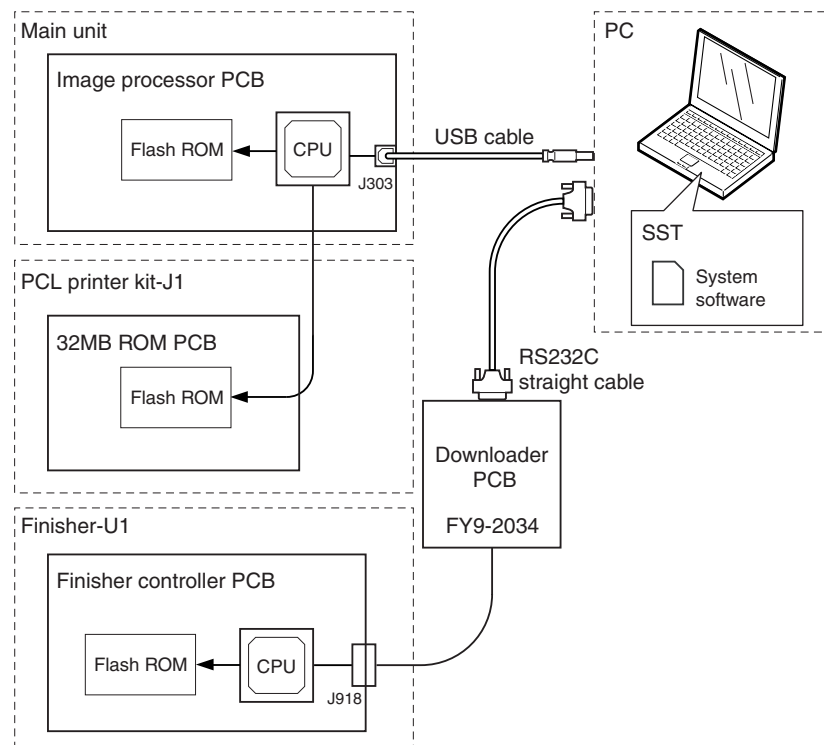
System software programs and upgrade tools are listed in the following table:

T-15-2

Type	System software type	Upgrade tool	Remarks
		SST	
Main unit	System (main controller)	Yes	Main controller also controls the reader.
	Boot (boot program)	Yes	
	Language (language module)	Yes	USB memory
	PCL	Yes	16MB ROM PCB
Option	Fin_U1 (Finisher-U1)	Yes	Dedicated service tool (Downloader PCB: FY9-2034)

### 15.1.3 Overview of Service Support Tool

iR2016J / iR2016 / iR2020 /

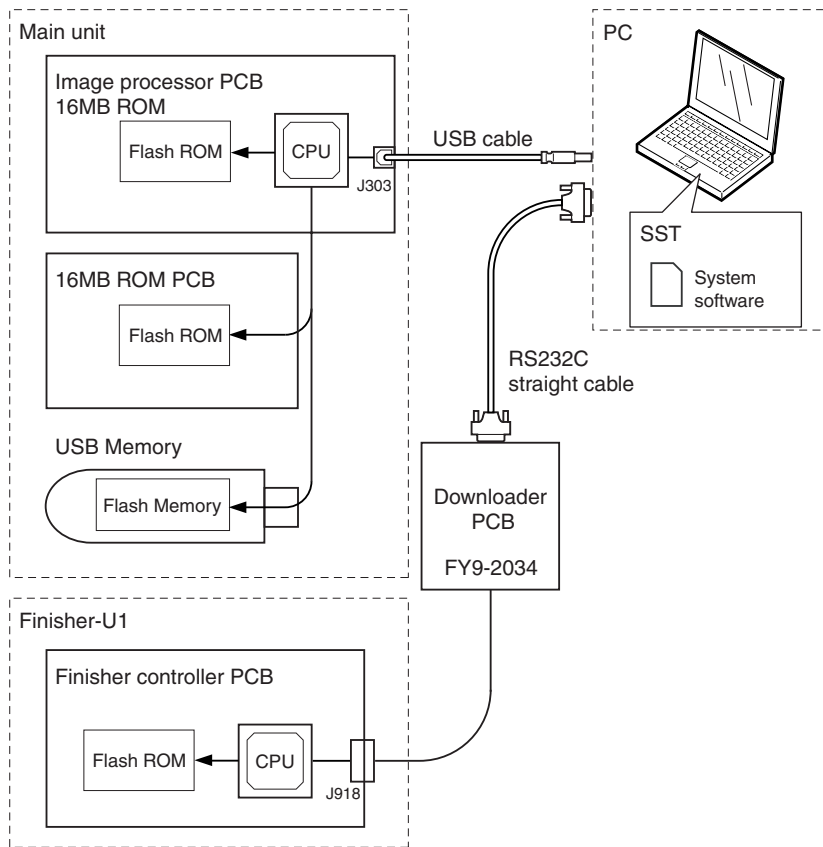


F-15-1

When using the SST, select "#DOWNLOAD" in the service mode to place the main unit in the download mode. (The finisher need not enter the download mode.)

### 15.1.4 Overview of Service Support Tool

iR2016i / iR2020i



F-15-2

When using the SST, select "#DOWNLOAD" in the service mode to place the main unit in the download mode. (The finisher need not enter the download mode.)

## 15.2 Making Preparations

### 15.2.1 Registering the System Software

iR2016J / iR2016 / iR2020 /

System software programs to be downloaded need to be registered in the SST.  
The system software programs are registered with the names listed below.

<Software Programs Preinstalled in Main Unit>

Machine name: iR2020

Unit name:

- Main controller: System
- Boot program: Boot
- PCL board: PCL

The system software registration program is explained below taking System as an example.

[Preparation]

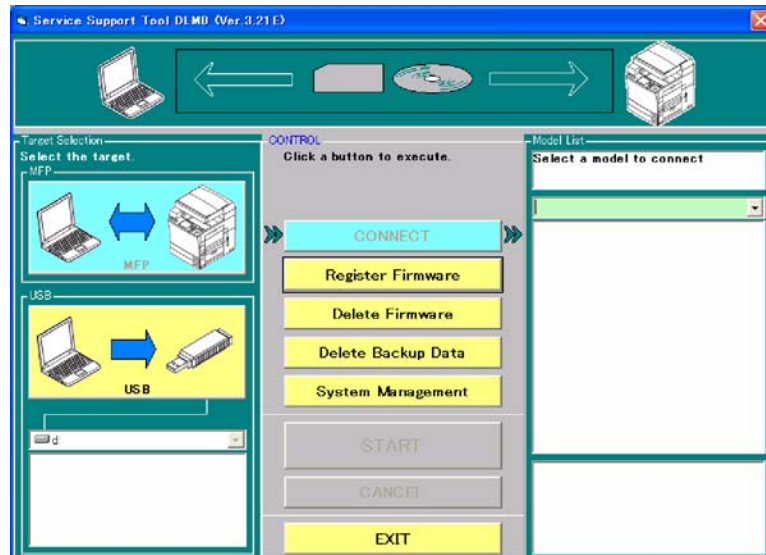
Have the following ready:

- PC in which SSTv3.21 or later is installed
- System CD supplied with iR2020

[System Software Registration Procedure]

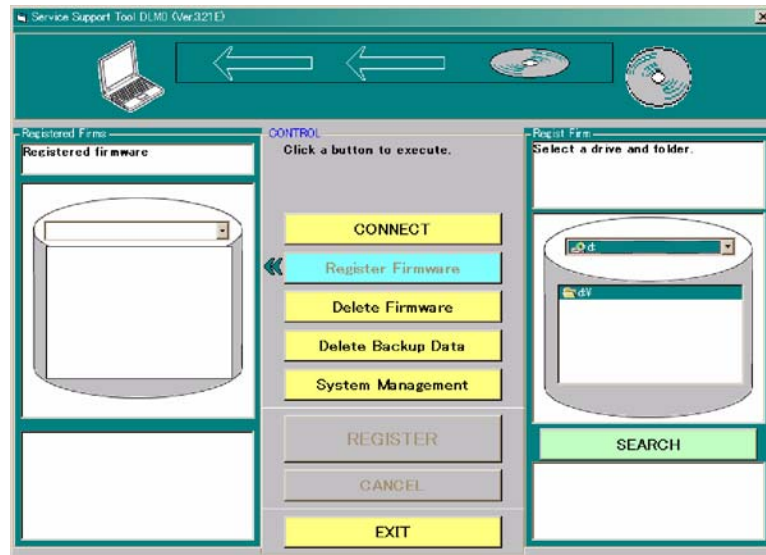
- 1) Start the PC.
- 2) Insert the system CD in the PC.
- 3) Start SST.
- 4) Click the "Register Firmware" button.





F-15-3

5) Select the drive in which the system CD is inserted, and then click the "SEARCH" button.

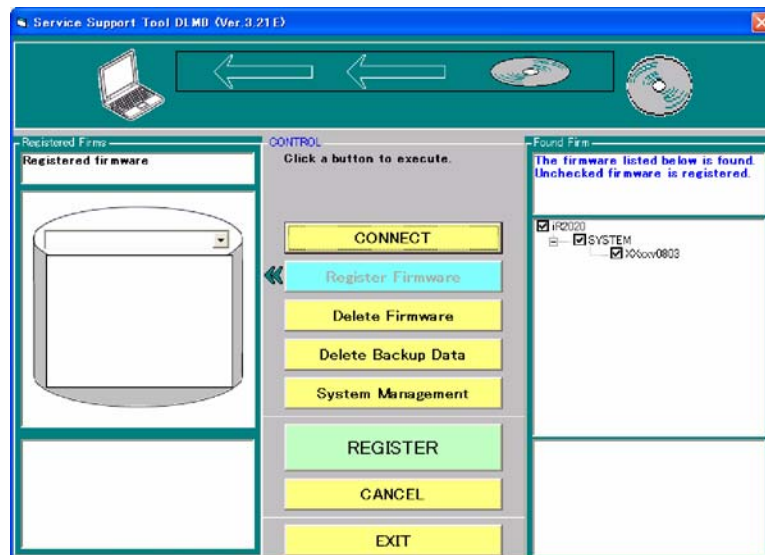


F-15-4

6) A list of system software programs contained in the system CD is displayed. Uncheck the checkboxes of unnecessary folders and system software programs, and then click the "REGISTER" button.

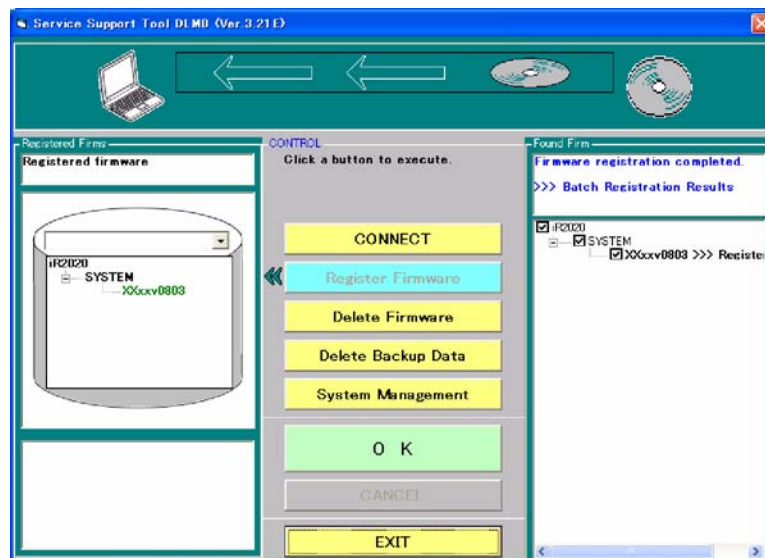


This machine allows two or more system software programs to be register at the same time. However, it does not allow two or more them to be downloaded at the same time. If two or more software programs need to be upgraded, download them one by one.



F-15-5

7) When the system software program registration result appears, click the OK button.



F-15-6

## 15.2.2 Registering the System Software

iR2016i / iR2020i

System software programs to be downloaded need to be registered in the SST. The system software programs are registered with the names listed below.

<Software Programs Preinstalled in Main Unit>

Machine name: iR2020i\_MF7200

Unit name:

- Main controller: System
- Boot program: Boot
- 16MB ROM PCB: PCL\_op
- 32MB ROM PCB: PCL\_common (No use for this model)

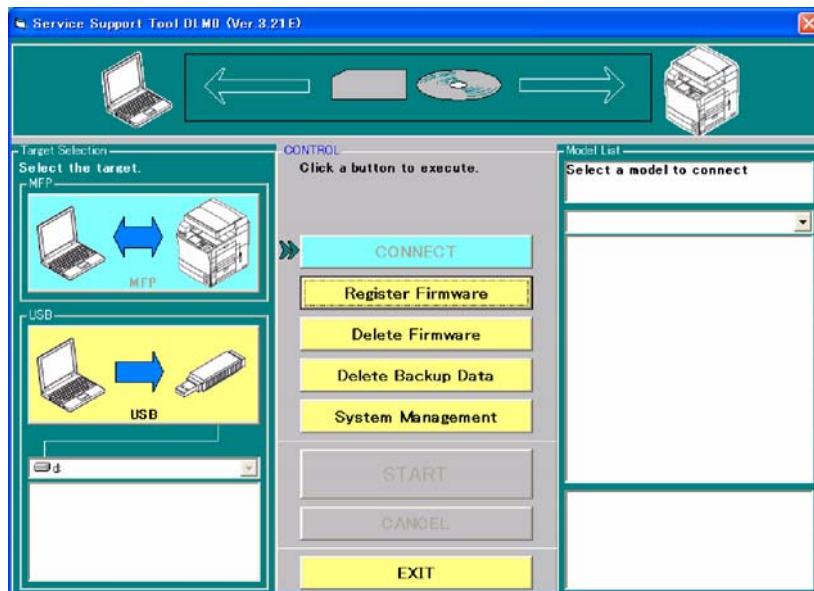
[Preparation]

Have the following ready:

- PC in which SSTv3.21 or later is installed
- System CD supplied with iR2020i/MF7200

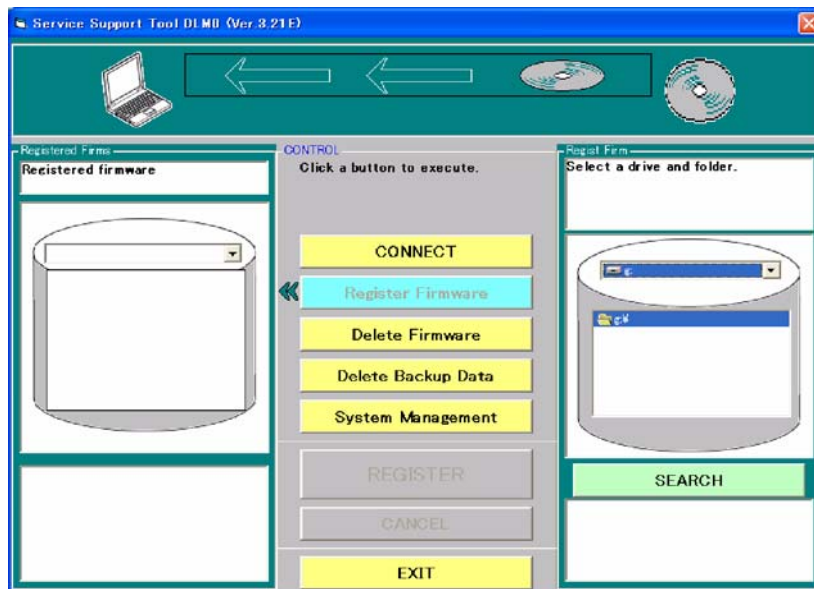
[System Software Registration Procedure]

- 1) Start the PC.
- 2) Insert the system CD in the PC.
- 3) Start SST.
- 4) Click the "Register Firmware" button.



F-15-7

5) Select the drive in which the system CD is inserted, and then click the "SEARCH" button.

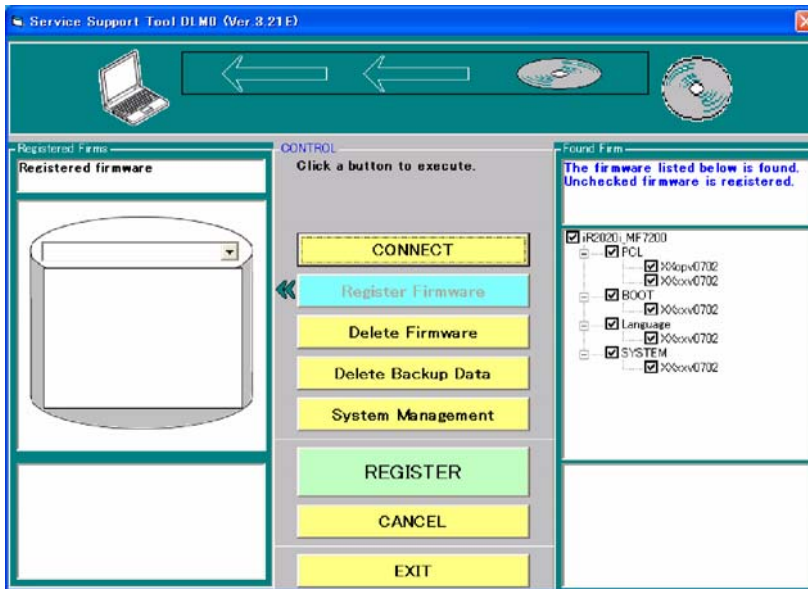


F-15-8

6) A list of system software programs contained in the system CD is displayed. Uncheck the checkboxes of unnecessary folders and system software programs, and then click the "REGISTER" button.

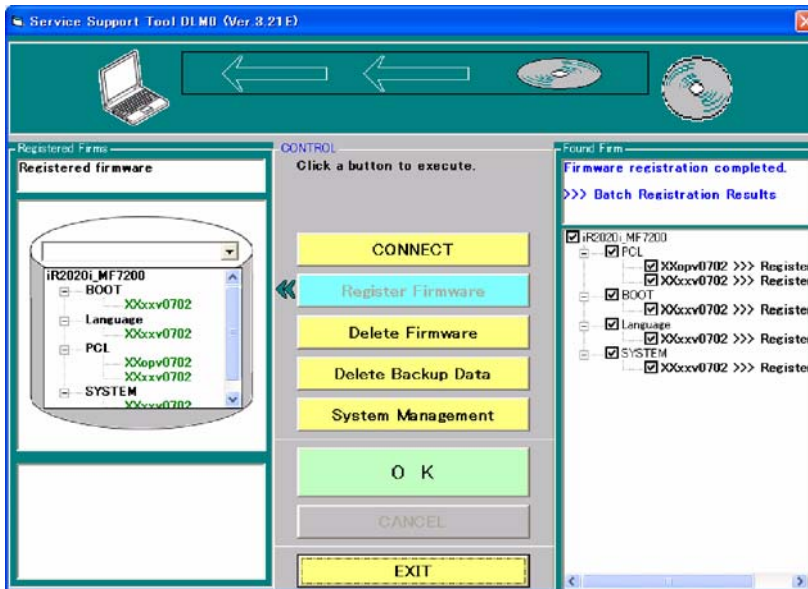


This machine allows two or more system software programs to be register at the same time. However, it does not allow two or more them to be downloaded at the same time. If two or more software programs need to be upgraded, download them one by one.



F-15-9

7) When the system software program registration result appears, click the OK button.

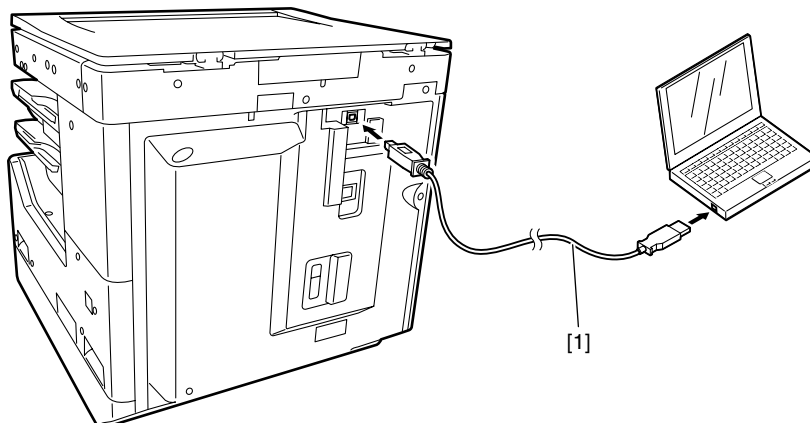


F-15-10

### 15.2.3 Connection

iR2016J / iR2016 / iR2020 / iR2016i / iR2020i

- 1) Turn off the main power switch of this machine, and then disconnect the cables connected to this machine.
- 2) Connect USB connector on the back of this machine to the PC using the USB cable [1].



F-15-11

## 15.3 Downloading System Software

### 15.3.1 Downloading System

#### 15.3.1.1 Downloading Procedure

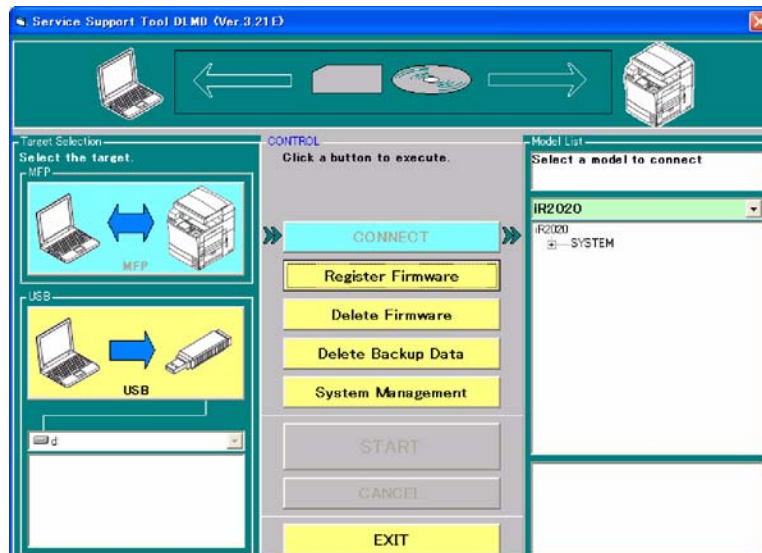
iR2016J / iR2016 / iR2020 /

- 1) Turn on the power switch of the PC and start SST.
- 2) When the power switch is turned on, the Found New hardware Wizard appears. Click "Cancel".



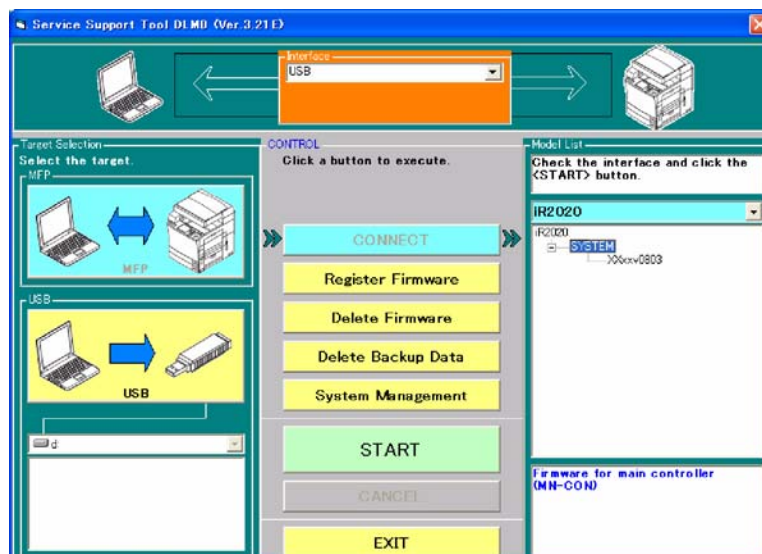
F-15-12

- 3) Select "MFP" in "Target Selection", and then select "iR2020" in "Model List".



F-15-13

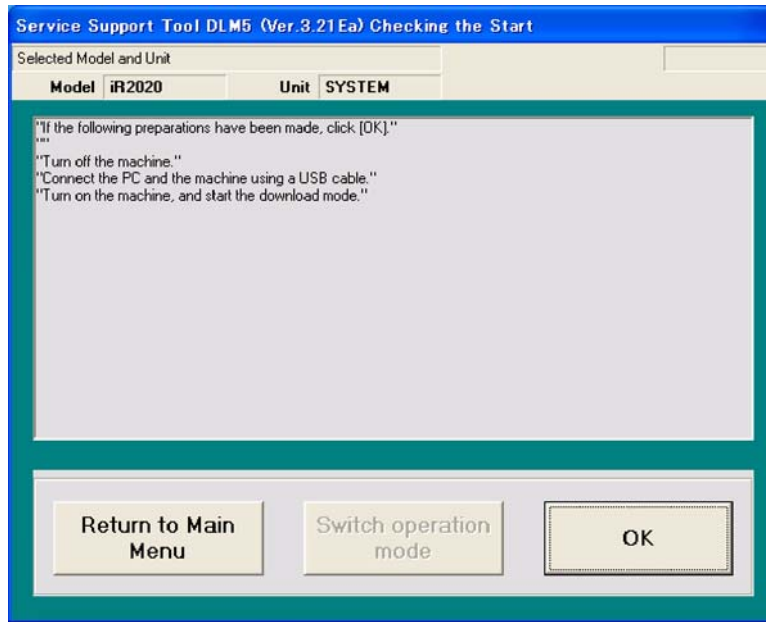
- 4) Double-click the "System" folder in "Model List" to check the system software version. Select "USB" in "Interface", and then click the "START" button.



F-15-14

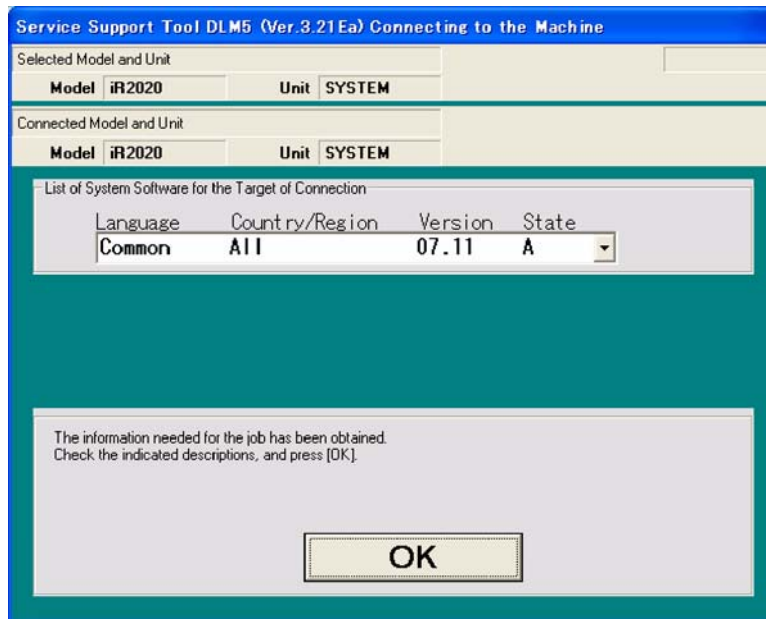
- 5) Turn on the power switch of the host machine.

- 6) Press the following keys on the control panel to enter the service mode.  
Additional Functions Key > 2 Key > 8 Key > Additional Functions Key
- 7) Using the plus (+) or minus (-) key, select "#DOWNLOAD".
- 8) Press the OK key on the control panel to place the host machine in the downloading wait mode ("#DOWNLOAD CONNECTED" is displayed).
- 9) Press the OK button on the SST screen displayed on the display of the PC.



F-15-15

- 10) When connection is complete, the following screen appears. Click the OK button.



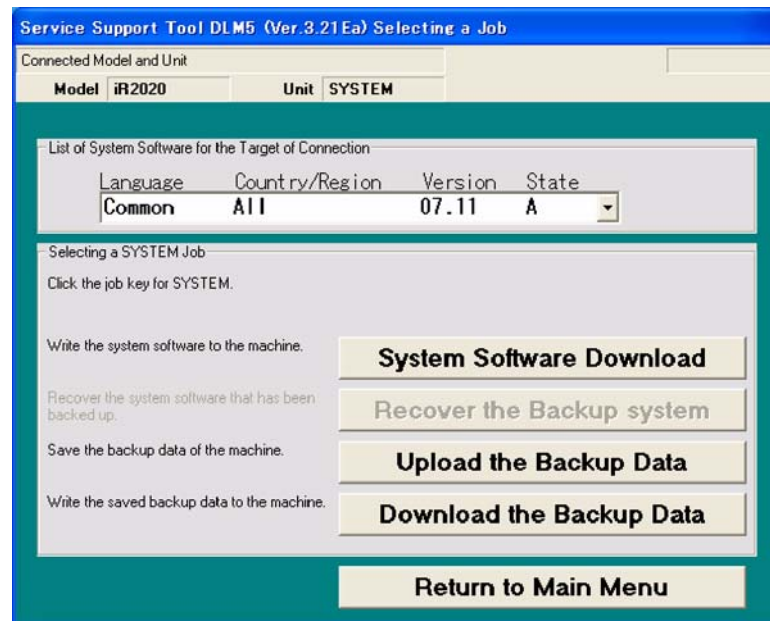
F-15-16

- 11) Click "System Software Download" on the Selecting a Job screen.

MEMO:

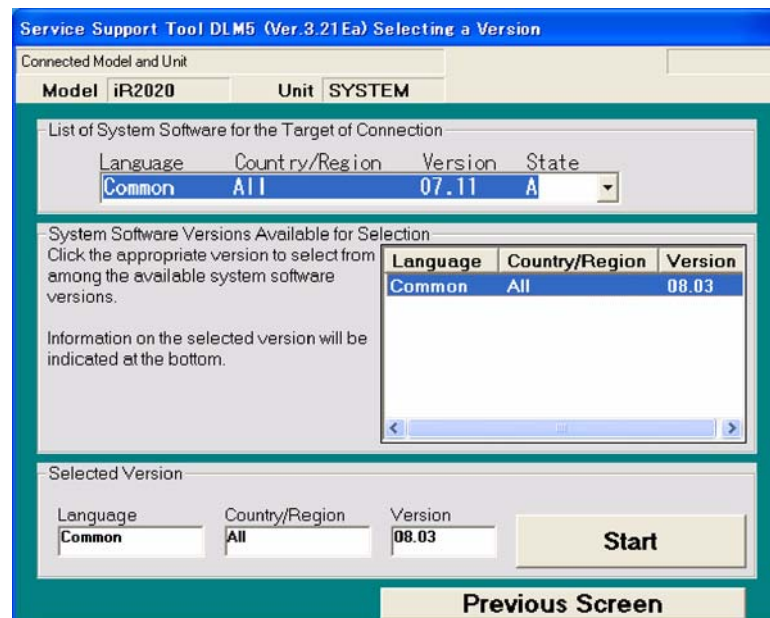
This machine does not use the "Upload the Backup Data" and "Download the Backup Data" functions not displayed on the Selecting a Job screen.





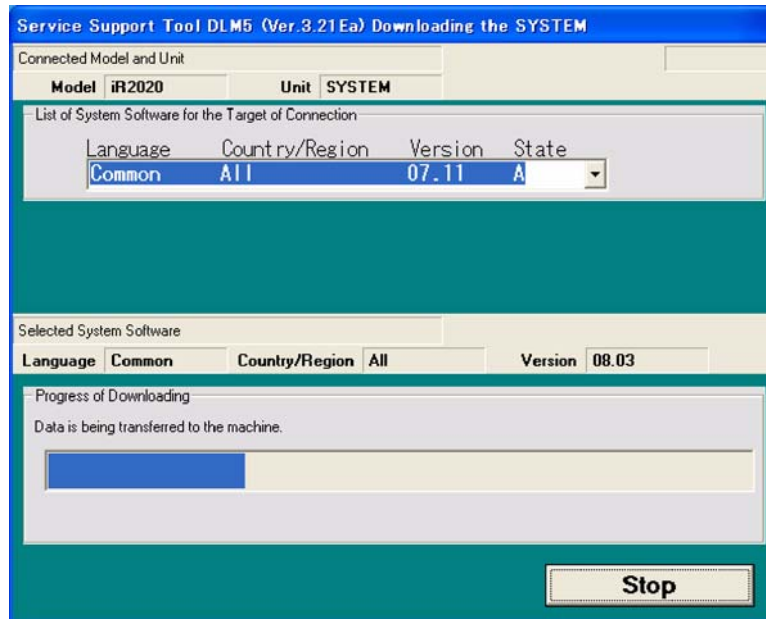
F-15-17

- 12) Select the version of the system software to download from the list. Check that the selected version is displayed in "Selected Version", and then click the "START" button.



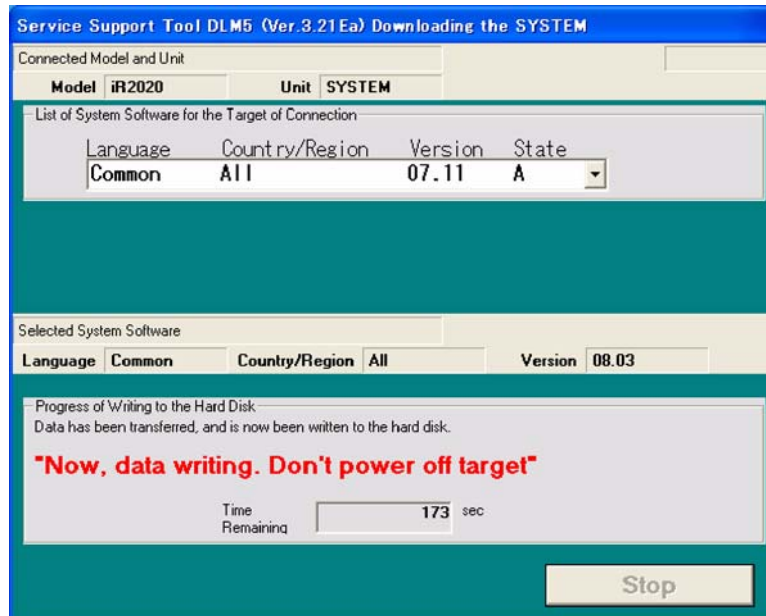
F-15-18

- 13) When downloading starts, the progress of downloading is displayed by the progress bar.



F-15-19

14) While the received data is being written to the flash ROM after completion of downloading, the following screen is displayed:



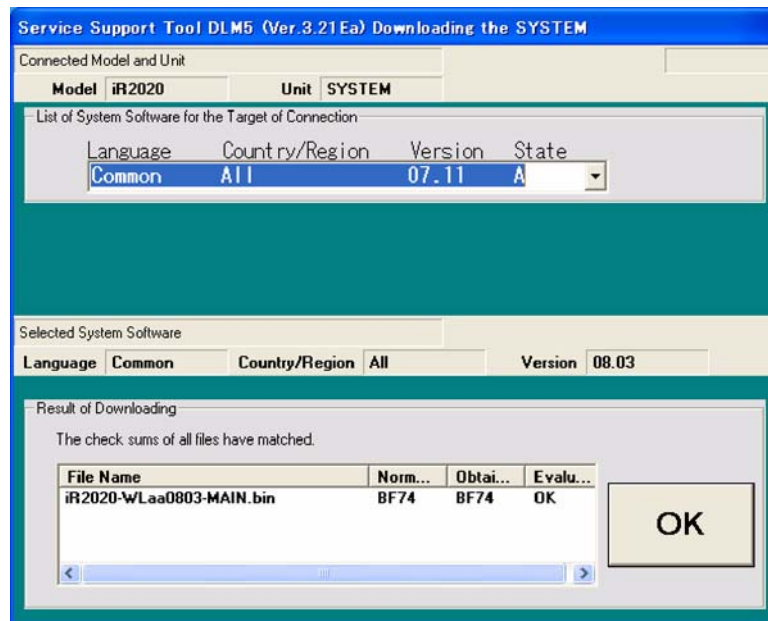
F-15-20



Never turn off the power switch of the machine while the data is being written to the flash ROM. If it becomes impossible to start this machine after turning its power switch off, the image processor PCB must be replaced.

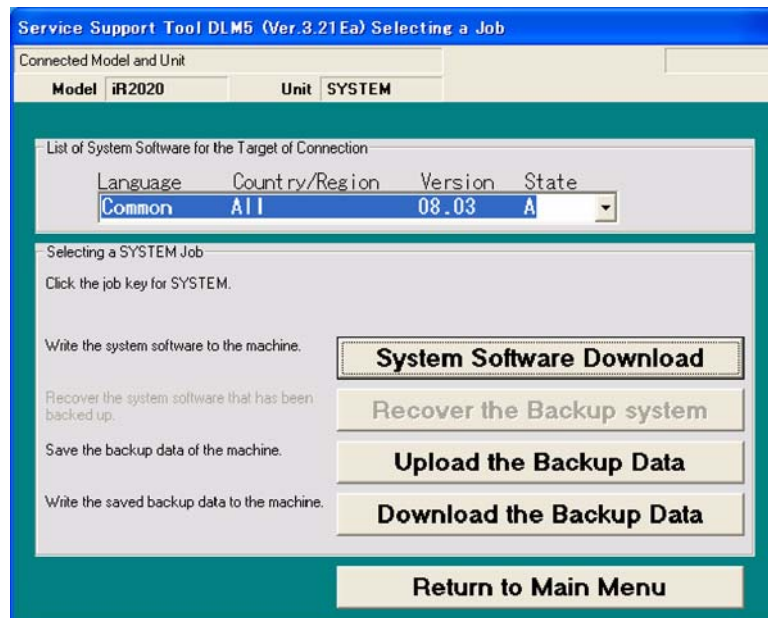
15) When writing of the data to the Flash ROM is complete, its result is displayed. Click the OK button.





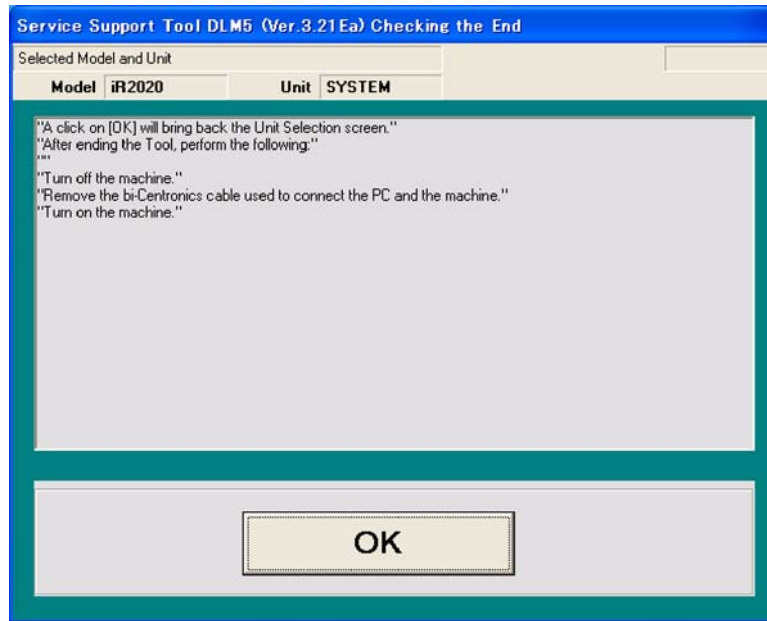
F-15-21

16) When the Selecting a Job screen appears, click "Return to Main Menu".



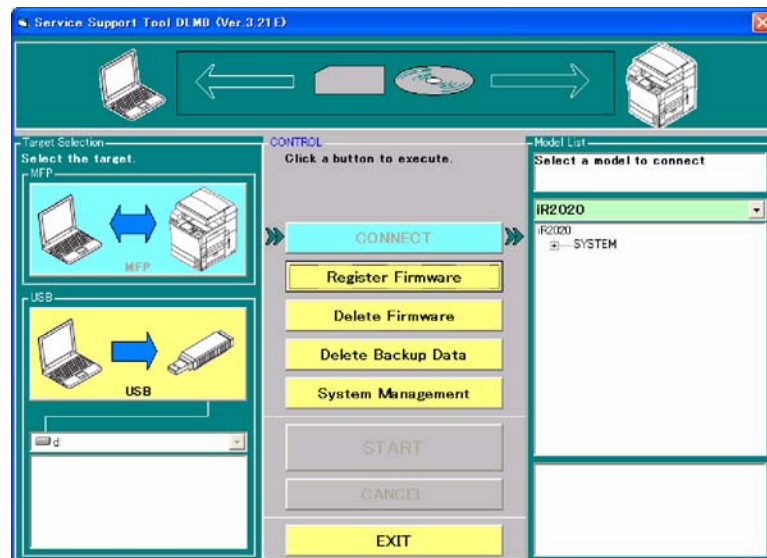
F-15-22

17) Click the "OK" button to return to the menu screen of SST.



F-15-23

18) Click the "EXIT" button to terminate SST.



F-15-24

19) Confirm the message "ROM WRITE OK" indicated on the control panel of the host machine, and then turn off/on the main power switch.

### 15.3.1.2 Downloading Procedure

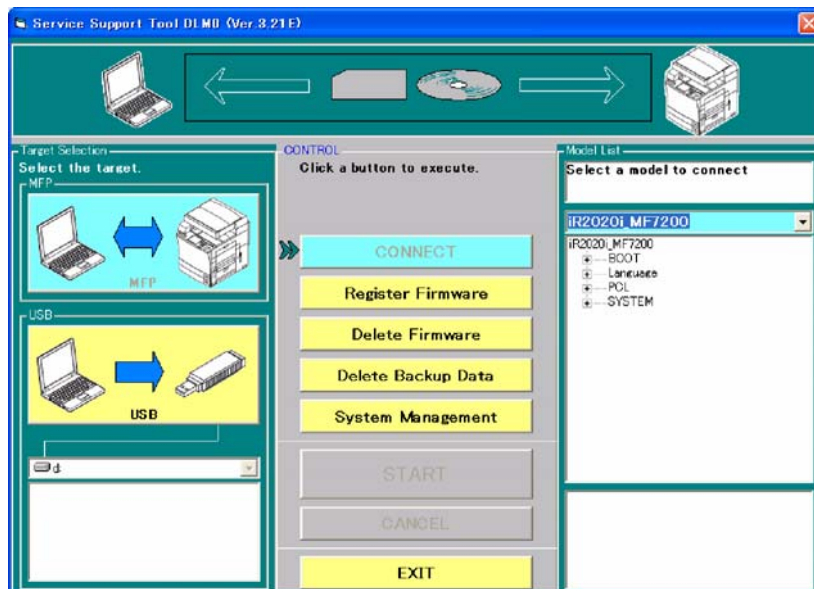
iR2016i / iR2020i

- 1) Turn on the power switch of the PC and start SST.
- 2) When the power switch is turned on, the Found New hardware Wizard appears. Click "Cancel".



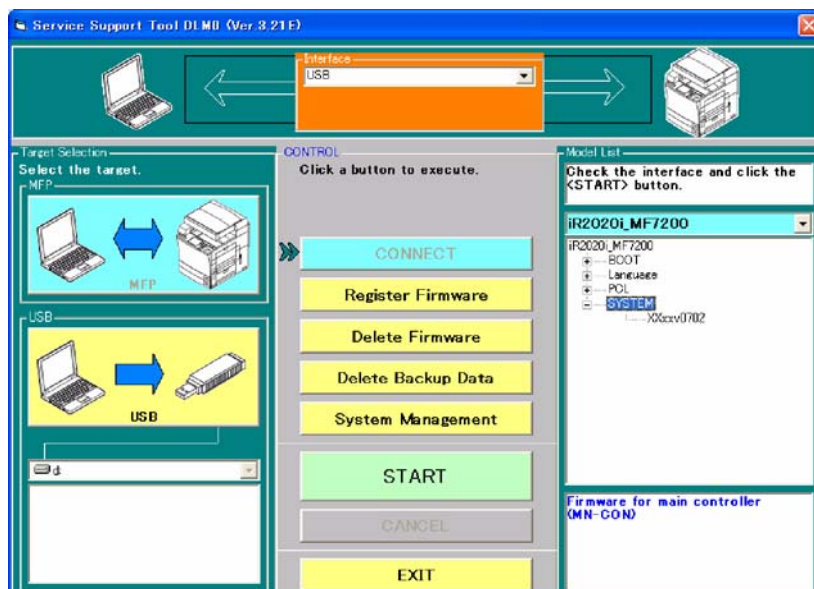
F-15-25

3) Select "MFP" in "Target Selection", and then select "iR2020i\_MF7200" in "Model List".



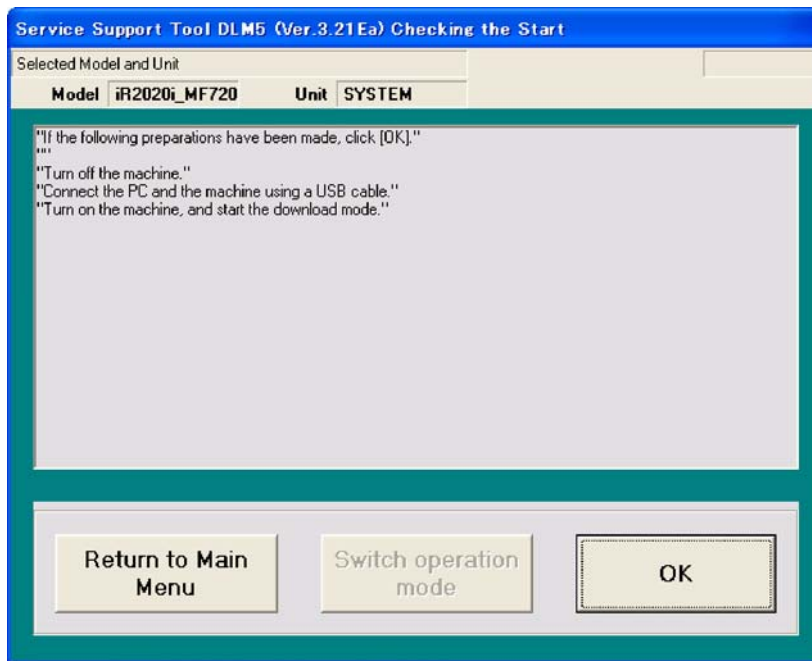
F-15-26

- 4) Double-click the "System" folder in "Model List" to check the system software version. Select "USB" in "Interface", and then click the "START" button.



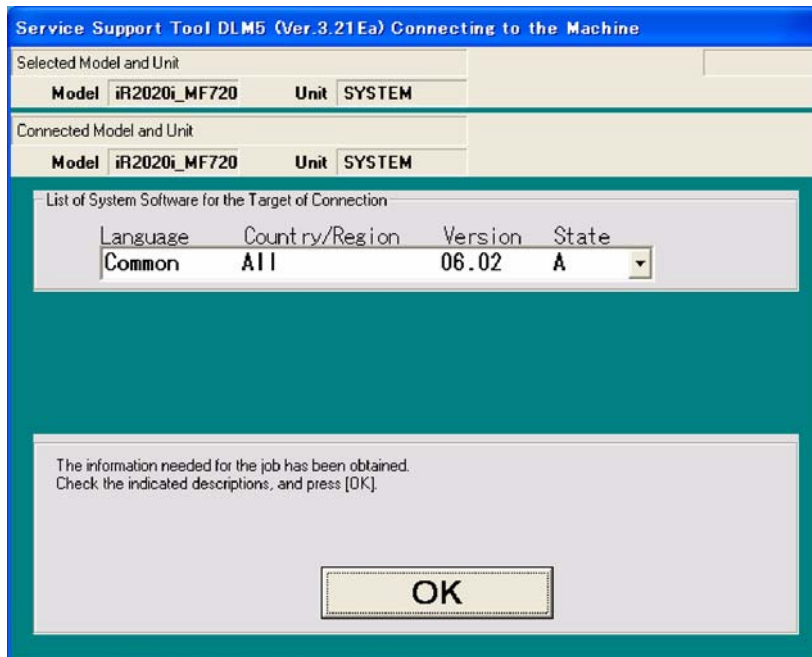
F-15-27

- 5) Turn on the power switch of the host machine.
- 6) Press the following keys on the control panel to enter the service mode.  
 $\otimes$  > 2 Key > 8 Key >  $\otimes$
- 7) Using  $\blacktriangleleft$  or  $\blacktriangleright$ , select "#DOWNLOAD".
- 8) Press the OK key on the control panel to place the host machine in the downloading wait mode (No indicated on LCD).
- 9) Press the OK button on the SST screen displayed on the display of the PC.



F-15-28

10) When connection is complete, the following screen appears. Click the OK button.

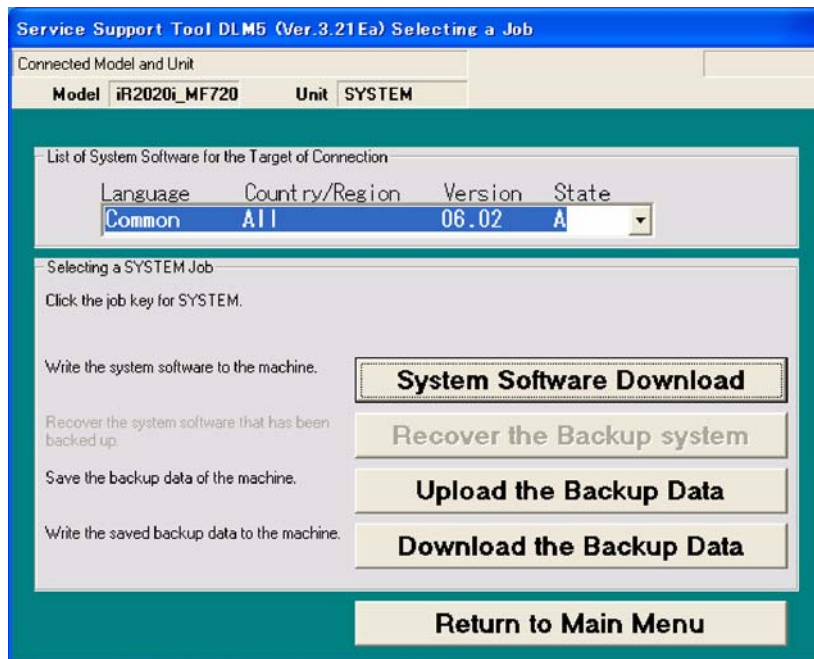


F-15-29

11) Click "System Software Download" on the Selecting a Job screen.

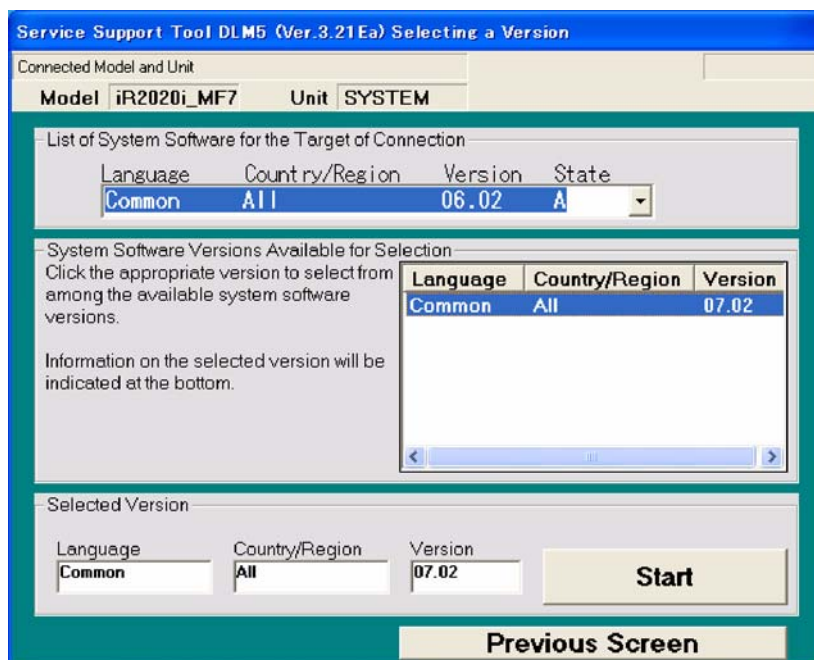
## MEMO:

This machine does not use the "Upload the Backup Data" and "Download the Backup Data" functions not displayed on the Selecting a Job screen.



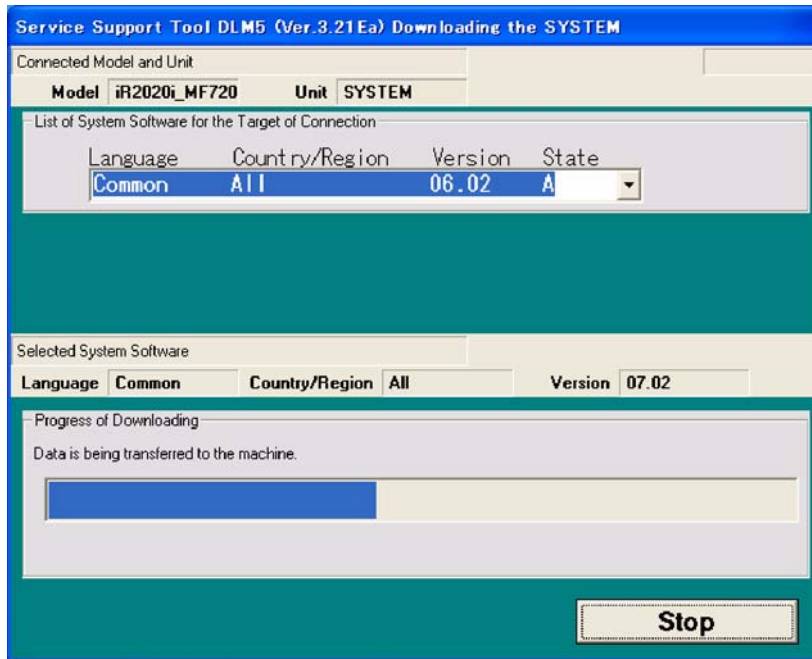
F-15-30

- 12) Select the version of the system software to download from the list. Check that the selected version is displayed in "Selected Version", and then click the "START" button.



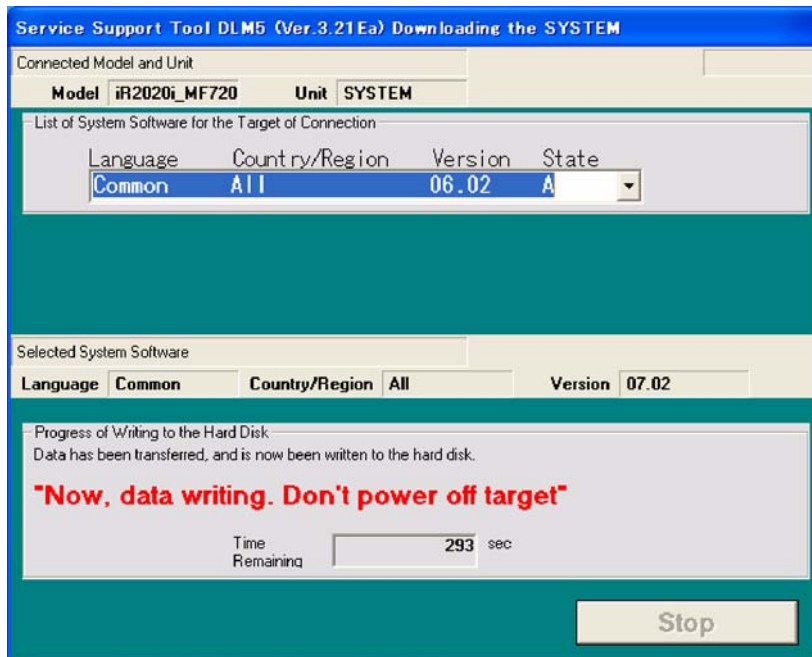
F-15-31

- 13) When downloading starts, the progress of downloading is displayed by the progress bar.



F-15-32

14) While the received data is being written to the flash ROM after completion of downloading, the following screen is displayed:



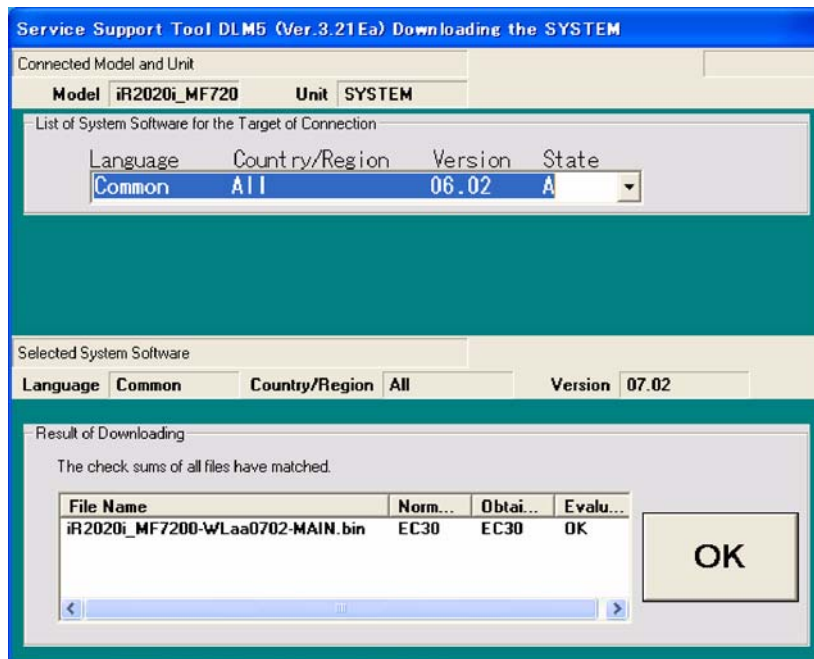
F-15-33



Never turn off the power switch of the machine while the data is being written to the flash ROM. If it becomes impossible to start this machine after turning its power switch off, the image processor PCB must be replaced.

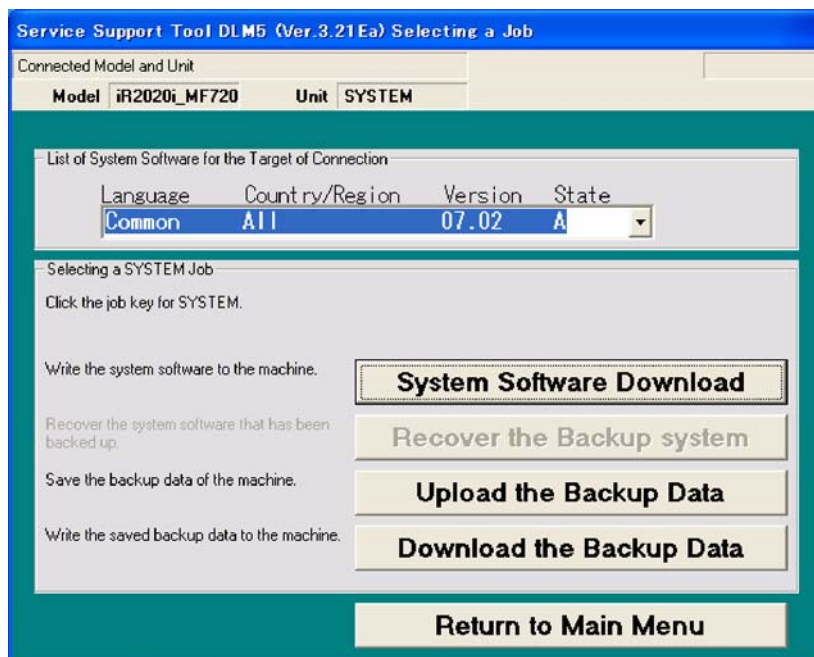
15) When writing of the data to the Flash ROM is complete, its result is displayed. Click the OK button.





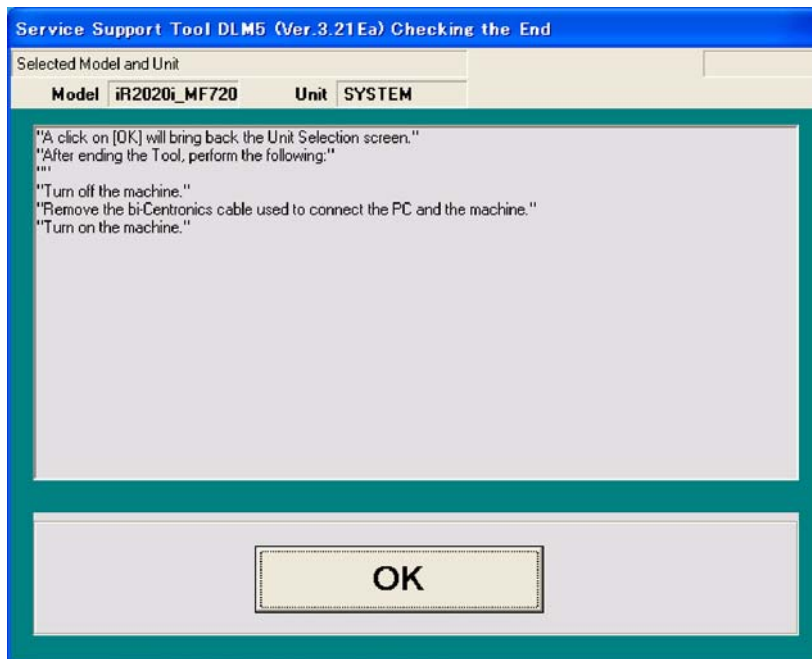
F-15-34

16) When the Selecting a Job screen appears, click "Return to Main Menu".



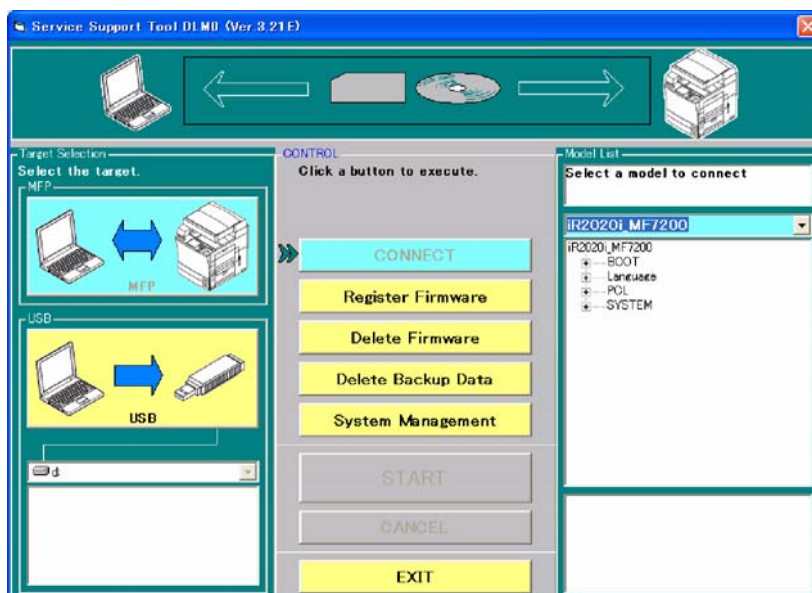
F-15-35

17) Click the "OK" button to return to the menu screen of SST.



F-15-36

- 17) If the other firmware is upgraded continuously, follow each downloading procedure. If the downloading is finished, click the "Exit" button and turn OFF/ON the main power switch.



F-15-37

## 15.3.2 Downloading RUI, and Language

### 15.3.2.1 Downloading Procedure

iR2016i / iR2020i

To download the language software, use the steps given for the system software.

### 15.3.3 Downloading BOOT

#### 15.3.3.1 Downloading Procedure

iR2016J / iR2016 / iR2020 / / iR2016i / iR2020i

To download the boot software, use the steps given for the system software.

### 15.3.4 Other Upgrade Methods

#### 15.3.4.1 Downloading the PCL Software

iR2016J / iR2016 / iR2020 /

To download the software for the PCL printer kit-J1, use the steps given for the system software.



### 15.3.4.2 Downloading the PCL Software

iR2016i / iR2020i

To download the software for 16MB ROM PCB of the extension slot, use the steps given for the system software.



When selecting a download version on the following screen, be sure to select the version for 16MB ROM. This machine does not support the version for 32MB ROM.

	Language	Country/Region
Version for 32MB ROM	Common	All
Version for 16MB ROM	op	All

Service Support Tool DLM5 (Ver. 3.21 Ea) Selecting a Version

Connected Model and Unit  
**Model** iR2020i\_MF7    **Unit** PCL

List of System Software for the Target of Connection

Language	Country/Region	Version	State
Common	All	07.02	A

PCL List for the Target of Connection

Language	Country/Region	Version	State
Common	All	06.02	A

PCL Versions Available for Selection  
 Click the appropriate version to select from among the available PCL versions. Information on the selected version will be indicated at the bottom.

Language	Country/Region	Version
Common	All	07.02
op	All	07.02

Selected Version

Language	Country/Region	Version
op	All	07.02

**Start**

**Previous Screen**

F-15-38



---

## Chapter 16 Service Tools

---



# Contents

16.1 Service Tools.....	16-1
16.1.1 Special Tools.....	16-1
16.1.2 Oils and Solvents .....	16-1



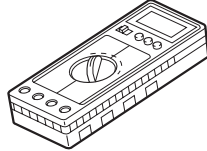
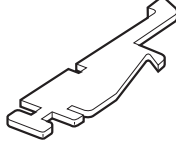
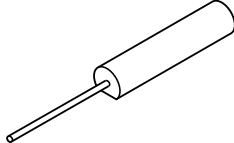
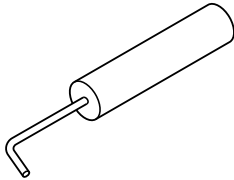
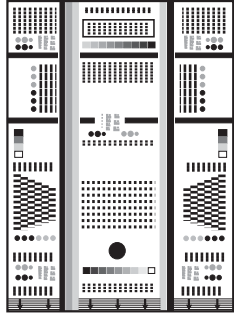
## 16.1 Service Tools

### 16.1.1 Special Tools

iR2016J / iR2016 / iR2020 / / iR2016i / iR2020i

In addition to the standard tools set, you will need the following special tools for servicing of the machine:

T-16-1

Tool name	Tool No.	Rank	Shape	Uses
Digital multimeter	FY9-2002	A		For making electrical checks.
Cover switch	TKN-0093	A		
Tester extension pin	FY9-3038	A		As an addition when making an electrical check.
Tester extension pin (L-shipped)	FY9-3039	A		As an addition when making an electrical check.
NA-3 Test Chart	FY9-9196	A		For checking and adjusting images.

Key to Notation (rank)

A: each service engineer is expected to carry one.

B: each group of 5 service engineers is expected to carry one.

C: each workshop is expected to carry one.

### 16.1.2 Oils and Solvents

iR2016J / iR2016 / iR2020 / / iR2016i / iR2020i

T-16-2

Name	Uses	Composition	Remarks
Alcohol	cleaning; e.g., glass, plastic, rubber; external covers	fluoride-family hydrocarbon alcohol surface activating agent water	- Do not bring near fire. - Procure locally. - IPA (isopropyl alcohol) may be substituted.
Solvent	cleaning; e.g., metal; soiling with oil or toner	fluorine-family hydrocarbon chlorine-family hydrocarbon alcohol	- Do not bring near fire. - Procure locally. - MEK may be substituted.
Lubricant		mineral oil (paraffin family)	- CK-0524 (100 cc)
Lubricant	drive mechanism, sliding mechanism, scanner rail	silicone oil	- CK-0551 (20 g)
Lubricant (EM-50L)	gear	special oil special solid lubricating agent lithium soap	- HY9-0007





Apr 25 2006

**Canon**